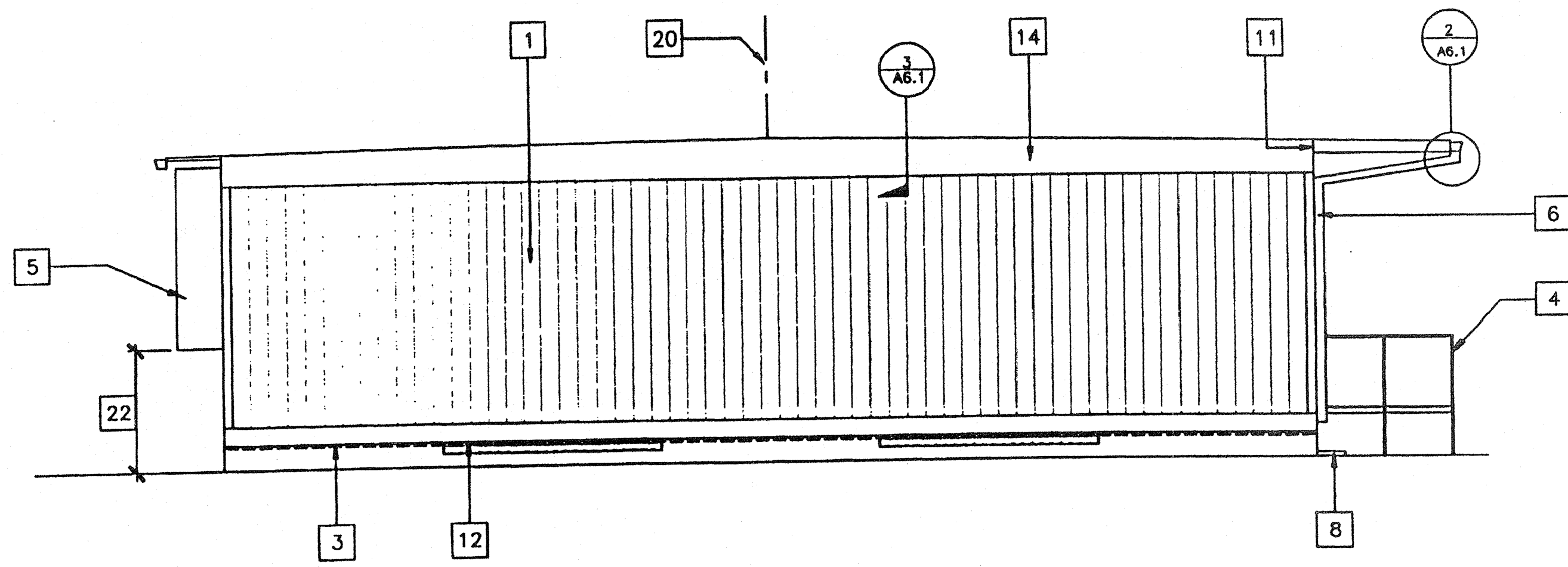
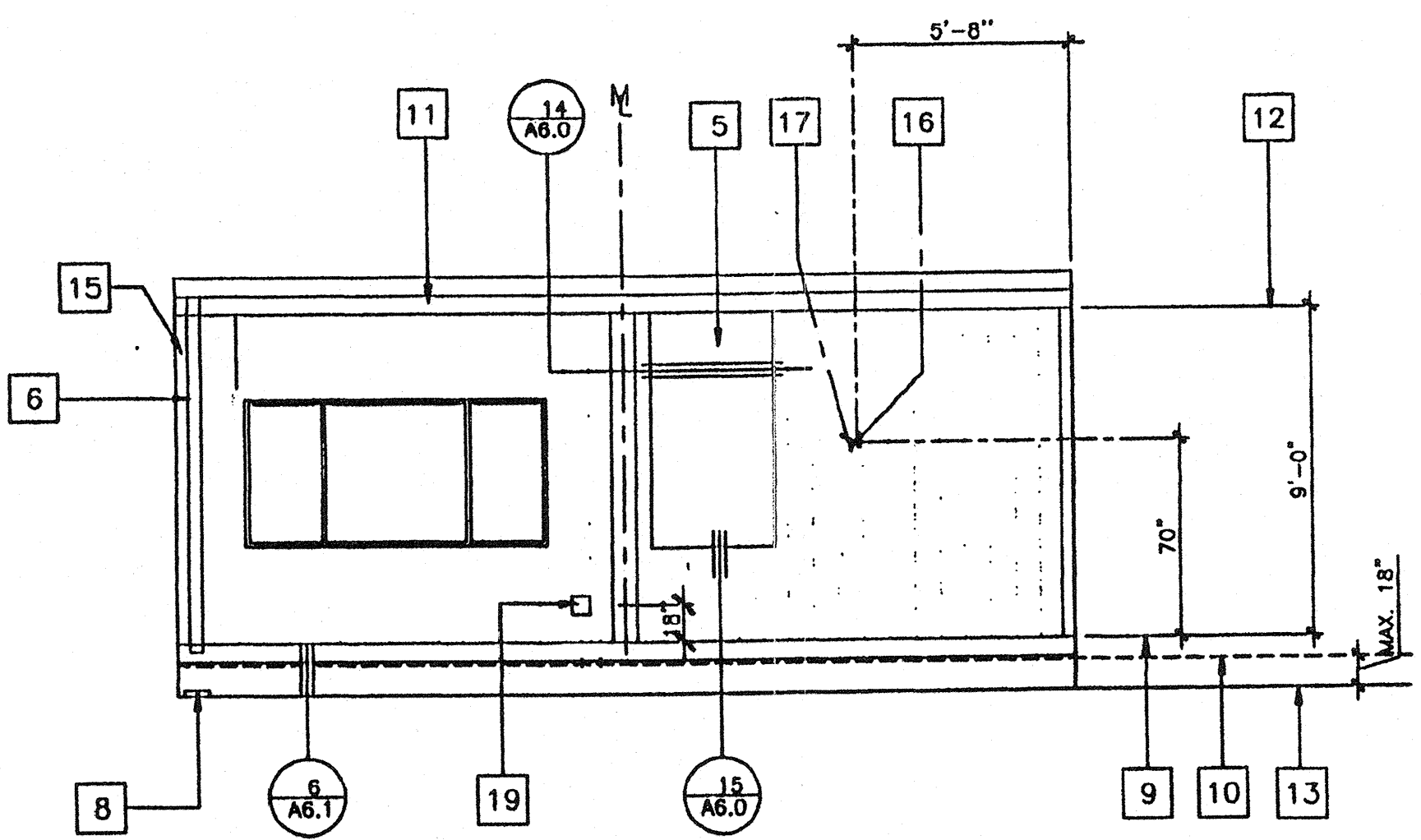


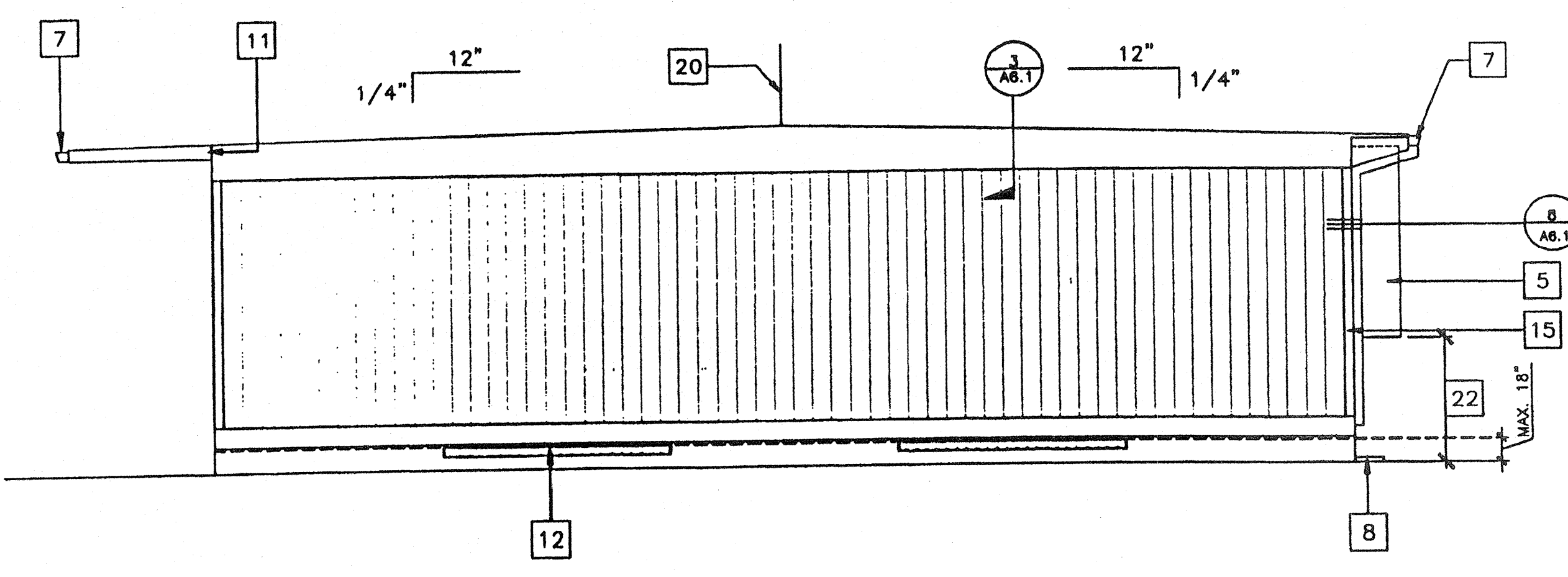
1 FRONT ELEVATION
1/4" = 1'-0"



2 LEFT ELEVATION
1/4" = 1'-0"



3 REAR ELEVATION
1/4" = 1'-0"



4 RIGHT ELEVATION
1/4" = 1'-0"

"A" = SHOWN
"B" = OPPOSITE

KEY NOTES

- 1 TYPICAL EXTERIOR SIDING (SEE A5.0)
- 2 EXTERIOR LIGHT FIXTURE (SEE SPEC'S)
- 3 TOP OF SKIRTING
- 4 RAMP AND LANDING SEE SHT. R-1
- 5 HVAC UNIT. SEE (HW)
- 6 DOWNSPOUT (TYP.) FOR (2). FASTEN TO BLD'G. TYP 3 PLACES (SEE 8/A6.1)
- 7 CONTINUOUS GUTTER WITH DOWNSPOUT (LOCATION OF DOWNSPOUT SHOWN ON ROOF PLAN) SEE A2.0
- 8 SPLASH BLOCK (BY OTHERS)
- 9 FINISH FLOOR LINE
- 10 BOTTOM FLANGE OF FLOOR BEAM
- 11 ROOF HEADER
- 12 VENT. SEE FOUNDATION PLAN
- 13 FINISH GRADE
- 14 ROOF BEAM SEE (STR)
- 15 COLUMN SEE (STR)
- 16 ELECTRICAL STUB-OUT SEE (EL)
- 17 GROUND STUB-OUT SEE (EL)
- 18 J BOX FOR EXT. FA HORN SEE (EL)
- 19 NEMA 6" X 6" GUTTER BOX SEE (EL)
- 20 RIDGE
- 21 NOT USED
- 22 IF HVAC UNIT IS LOCATED IN ANY PATH OF TRAVEL OR CIRCULATION AREA AND HEIGHT FROM GRADE TO BOTTOM OF UNIT EXCEEDS 27" THEN PROTECTION MUST BE PROVIDED.

NOTES

1. SEE FOUNDATION PLAN FOR SIZE AND LOCATION OF UNDER FLOOR VENTS.

IDENTIFICATION STAMP
DIV. OF THE STATE ARCHITECT
OFFICE OF REGULATION SERVICES
04 01984
AC 6 FLS SS
DATE MAR 09 2009

IDENTIFICATION STAMP
DIV. OF THE STATE ARCHITECT
APPROX 115800
AC 11 FLS SS
DATE 7/24/14

CBC 1998 PC

REVISIONS	Electrical Engineer's Seal	Mechanical Engineer's Seal	Architect's Seal

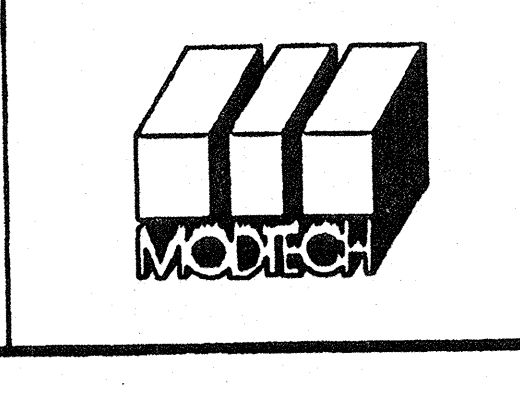
Electrical Engineer's Seal

Mechanical Engineer's Seal

Architect's Seal

Architect's Seal

IDENTIFICATION STAMP
DIV. OF THE STATE ARCHITECT
OFFICE OF REGULATION SERVICES
PC-04
101419
AC 11 FLS SS
DATE OCT 23 1995



MODTECH INC.
2830 BARRETT AVENUE
PERRIS, CALIF. 92572
PH (909) 943-4014
FAX (909) 940-0427

PROJECT NUMBER:

© MODTECH, INC. 1999

DRAWN BY:
DATE:
CHECKED BY: SS
DATE: 10/22/99
MODTECH Index No.
A3.0

EXTERIOR ELEVATIONS

PROJECT NO. PC-04-101419