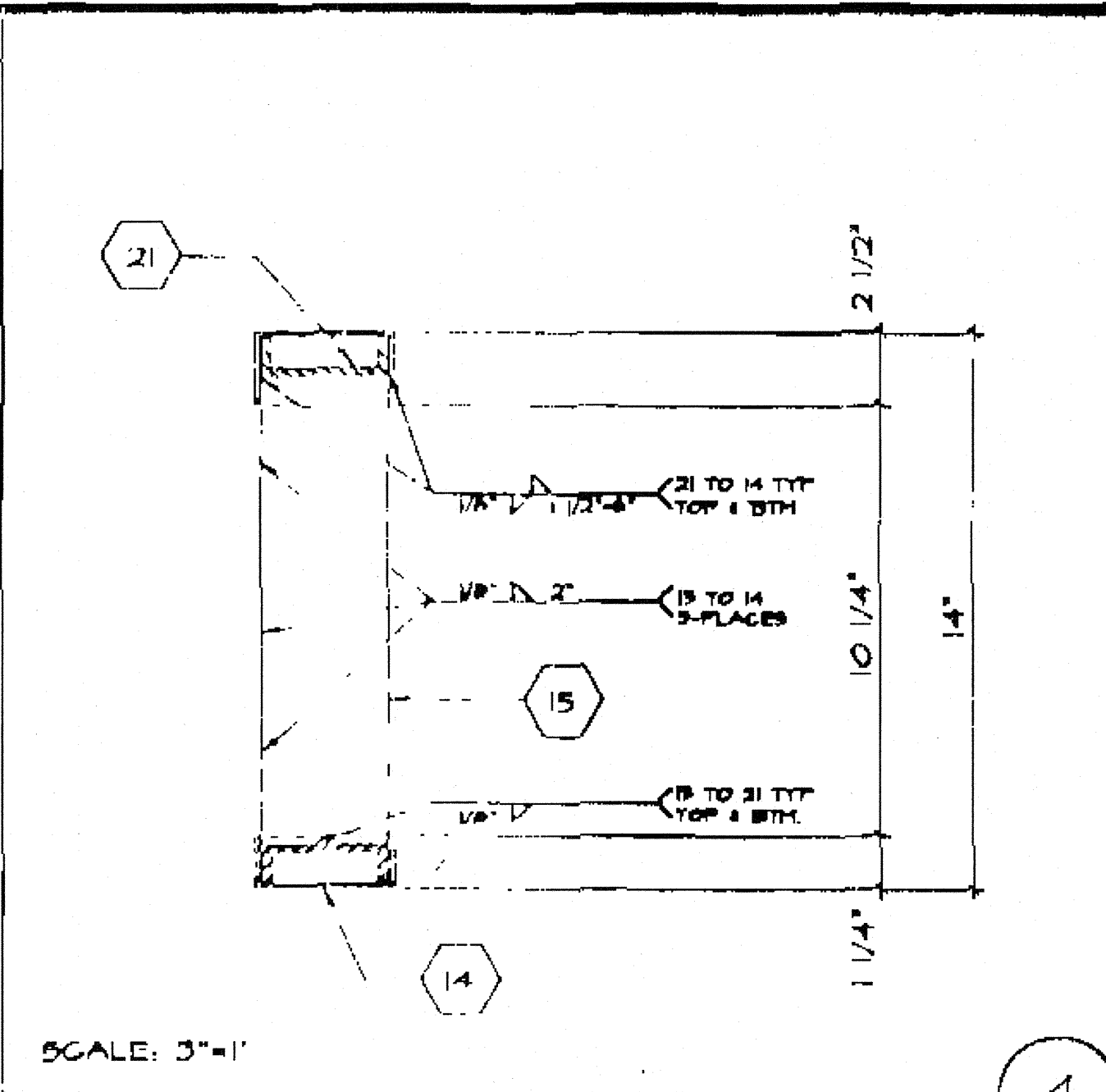


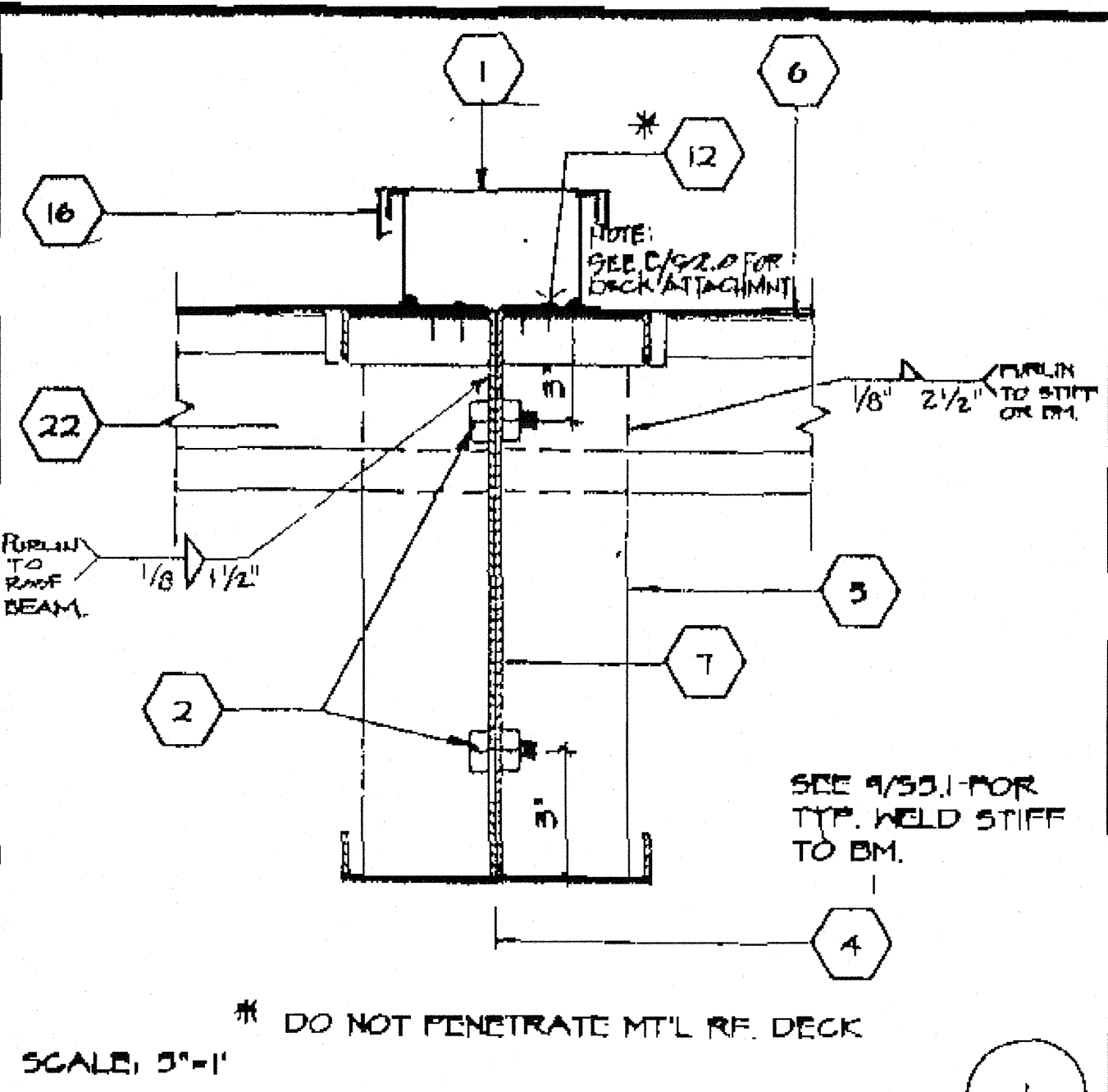
SCALE: 3/4\"/>

BLOCK @ MIDSPAN 7



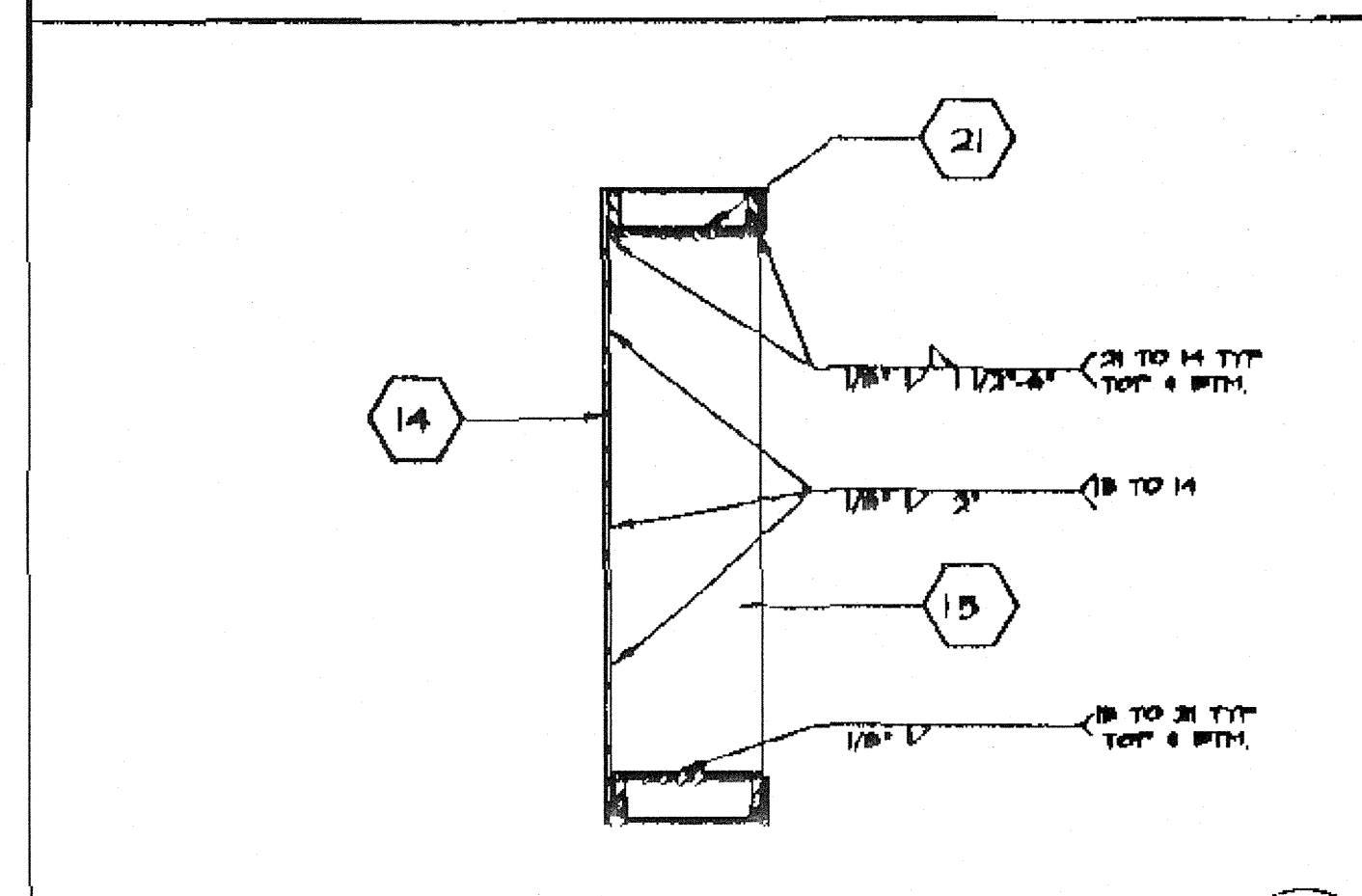
SCALE: 3/4\"/>

MECH. DUCT OPENING IN HEADER 4



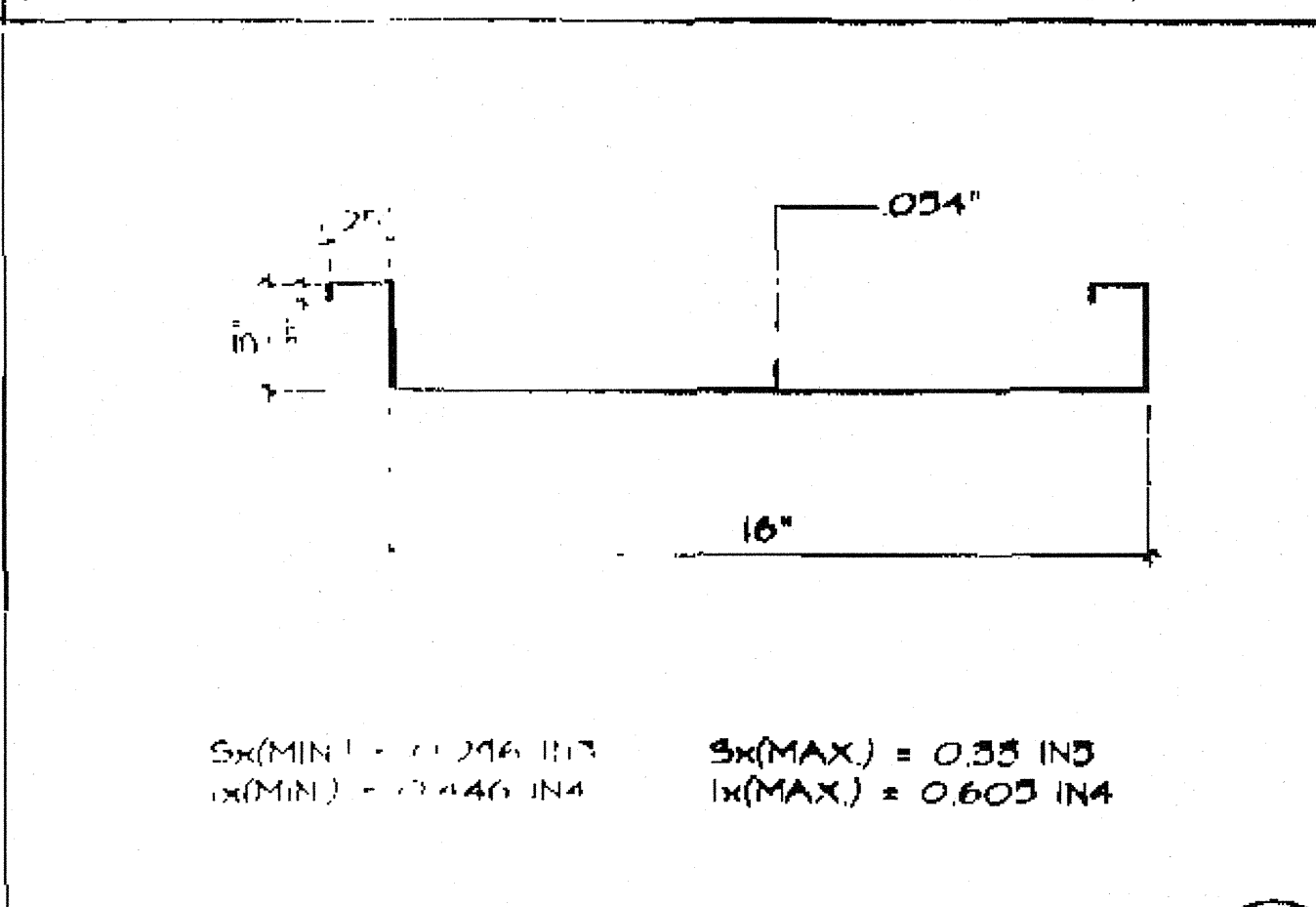
SCALE: 3/4\"/>

ROOFING @ MODLINE 1



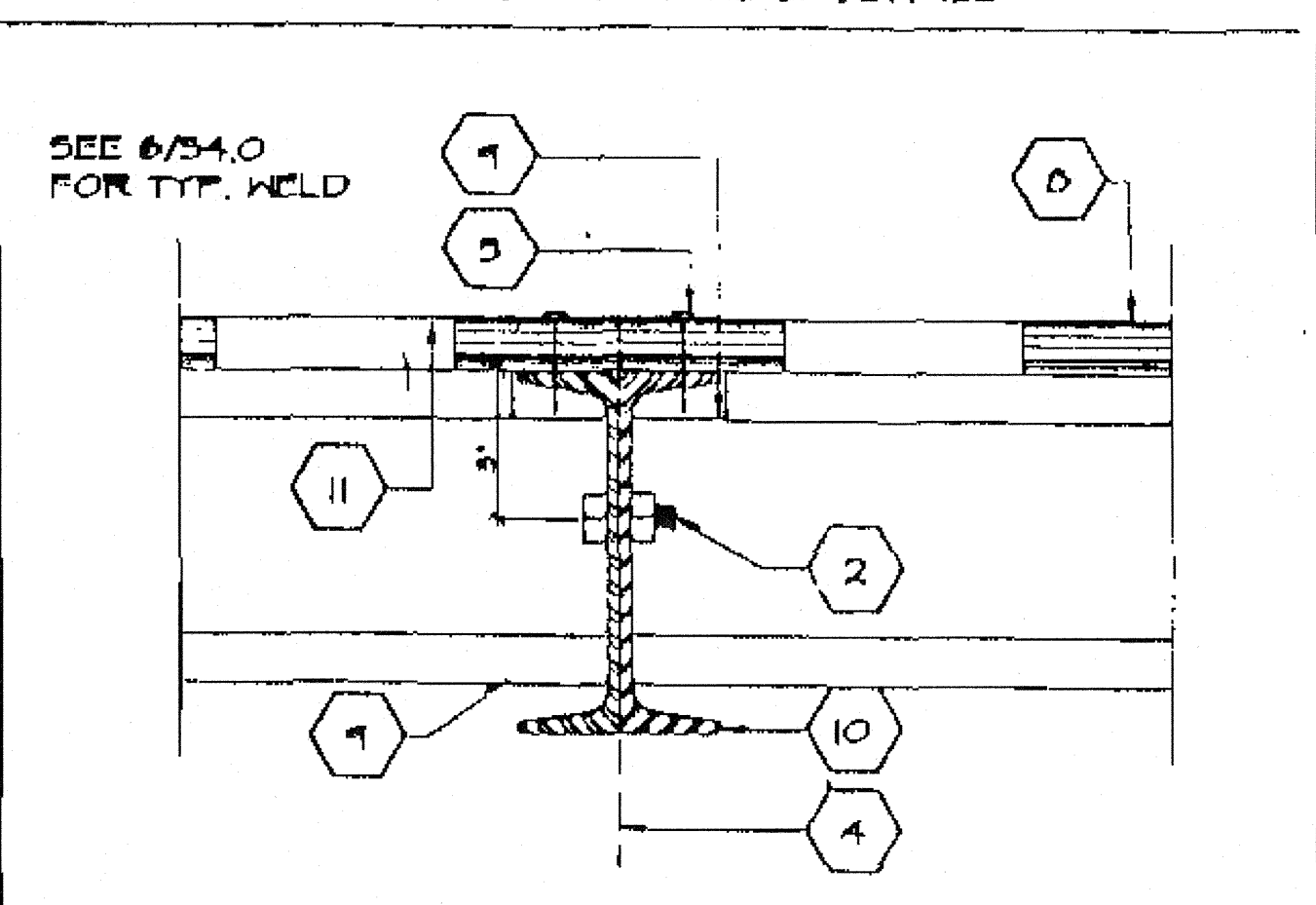
SCALE: 3/4\"/>

HEADER REINF. @ A.C. OPENING 8



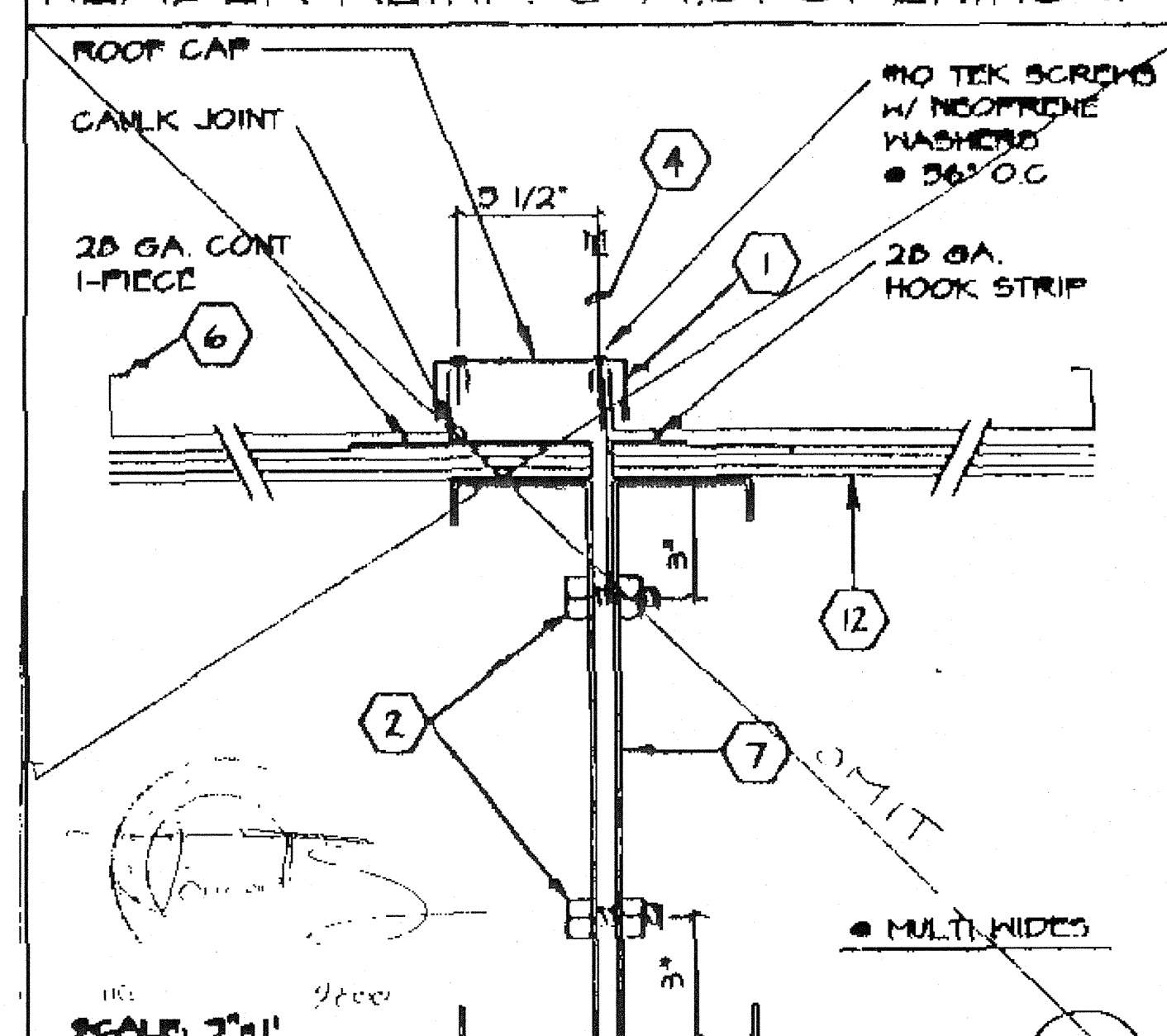
SCALE: 3/4\"/>

ROOF PAN (22GA) 5



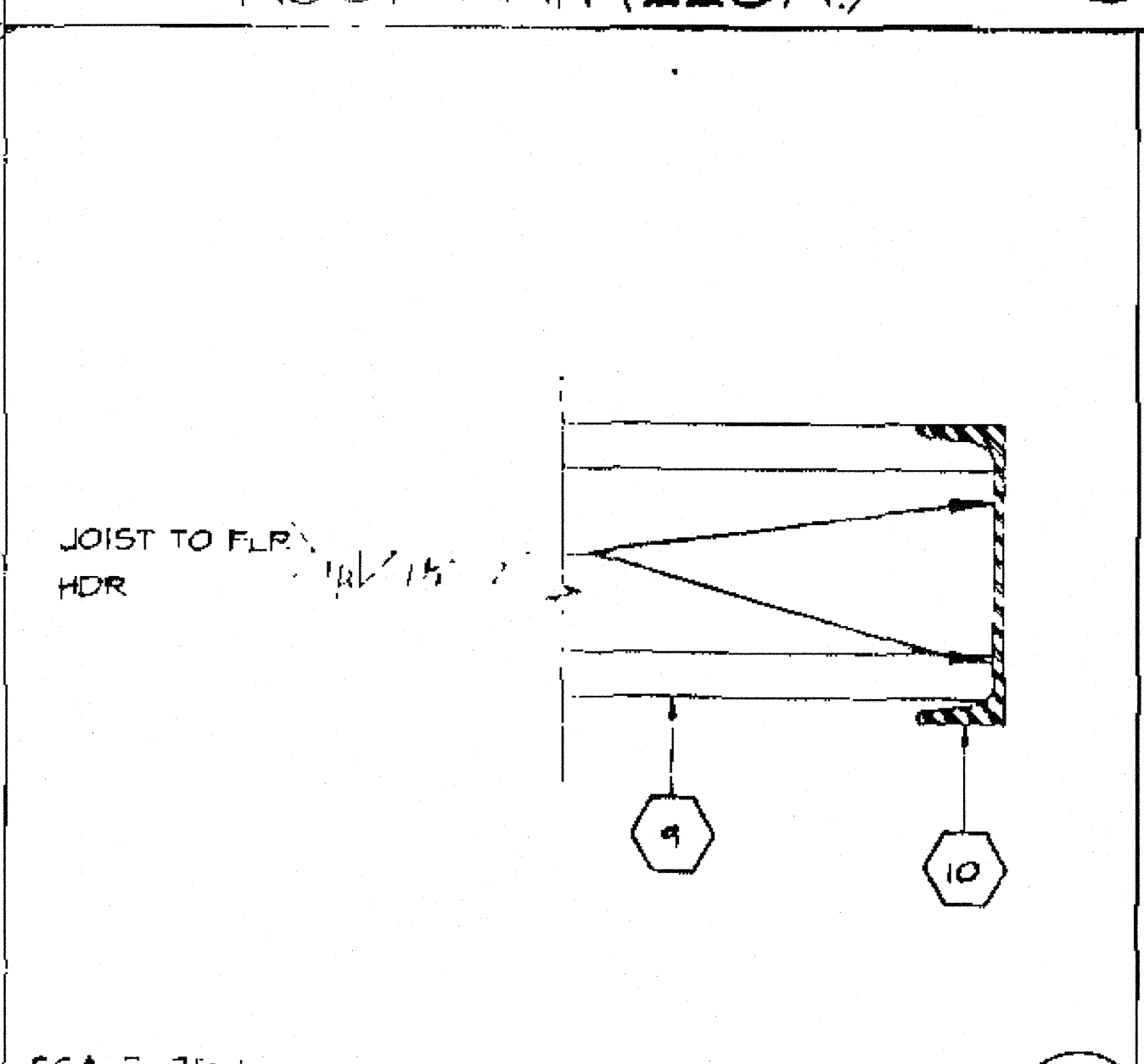
SCALE: 3/4\"/>

MODULE JOINT @ FLR. 12'-0\"/>



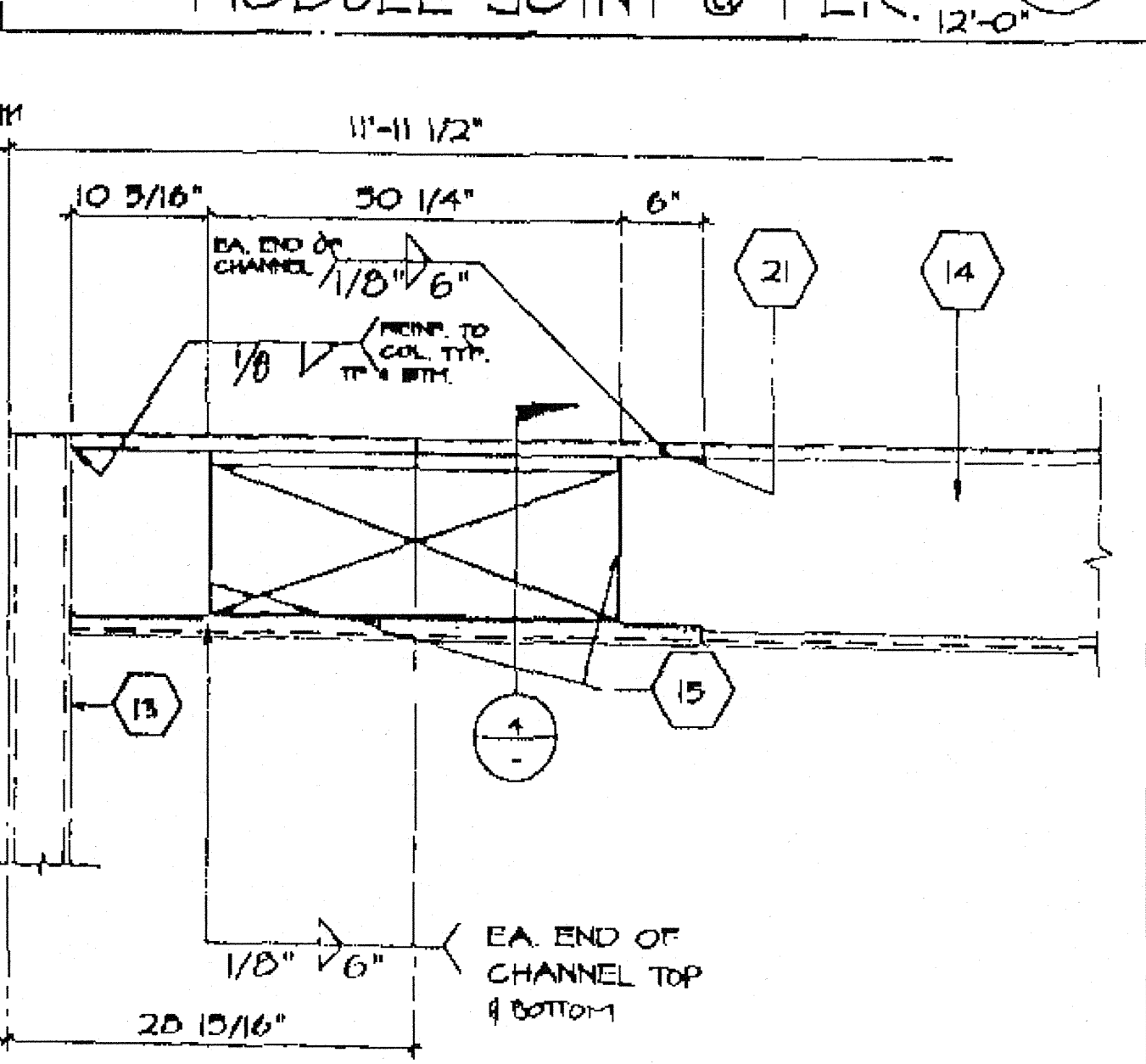
SCALE: 3/4\"/>

ALT. ROOFING @ MODLINE 9



SCALE: 3/4\"/>

FLOOR JOIST TO BEAM 6



SCALE: 1/4\"/>

ELEVATION-OPENING 3

KEY NOTES

- 1 CAP CLOSURE @ MODLINE 26GA. GALV. W/10 TYPE FASTENERS W/NEOPRENE WASHERS TO RID BOTH SIDES OF MODLINE SET CAP IN SEALANT
- 2 5/8\"/>

IDENTIFICATION STAMP
DIV. OF THE STATE ARCHITECT

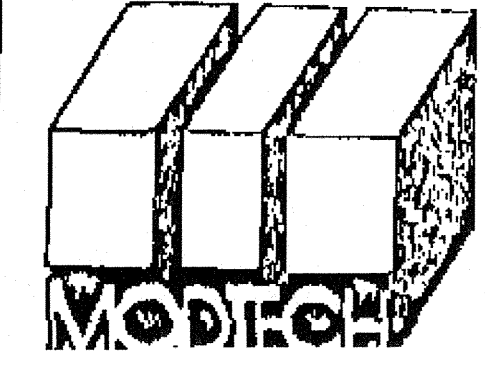
APPROS I15C00
AC / PLS / SS / TB
DATE

7/24/14

© MODTECH INC. 1994

DIV. OF THE STATE ARCHITECT
OFFICE OF THE ARCHITECT
DATE DEC 11 1998

ARCHITECT ELECTRICAL STRUCTURAL MECHANICAL FIRE MARSHAL ACCESS COMPLIANCE STRUCTURAL SAFETY



DRAWN BY
DATE
CHECKED BY
DATE

S1.0