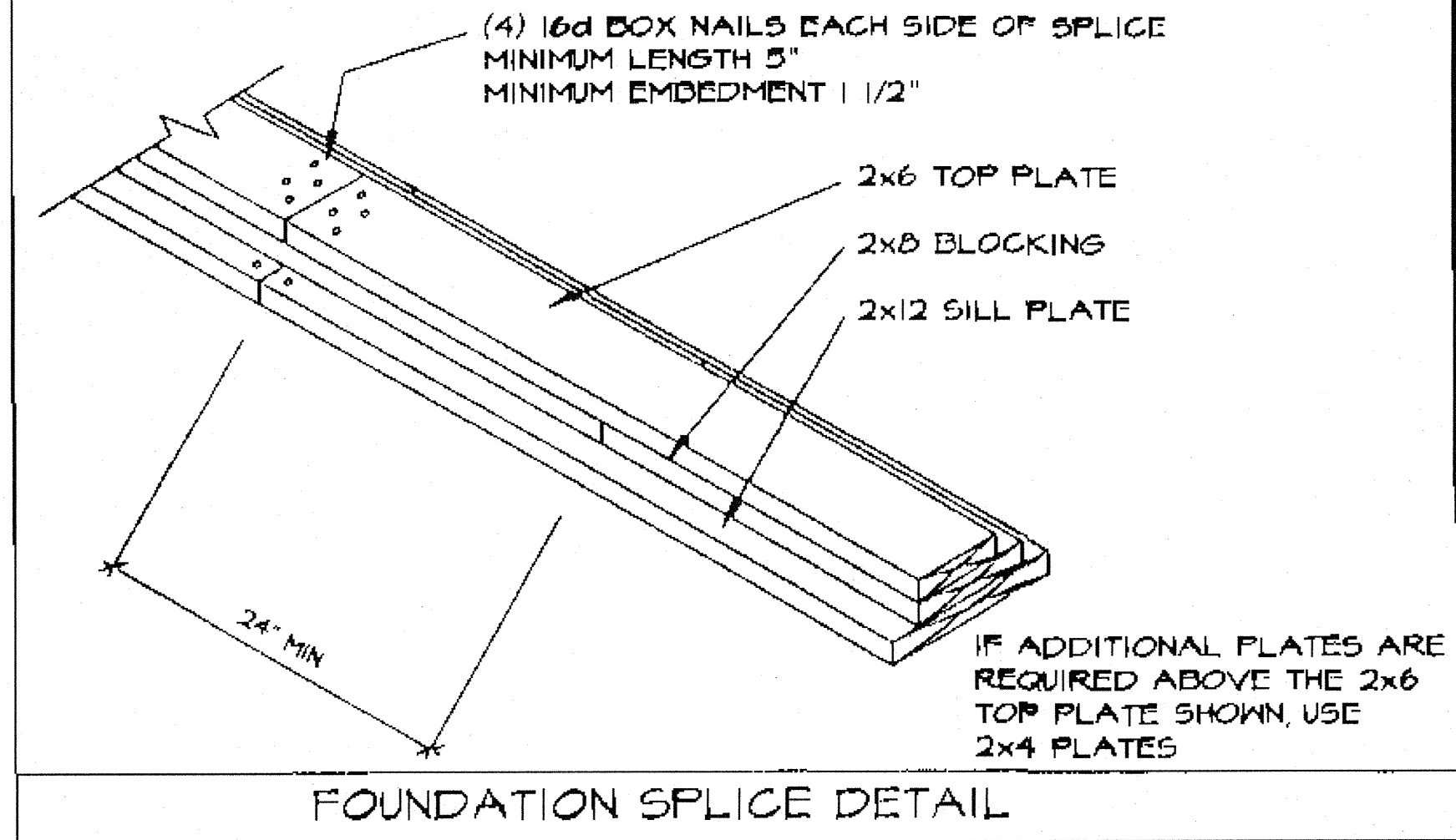


"MACHINE APPLIED 16d FASTENERS SHALL HAVE AN EMBEDMENT OF NOT LESS THAN 1/2" INTO SECOND MEMBER, AND SHALL BE NOT LESS THAN 3" IN OVERALL LENGTH"

THE ABOVE NAILS SHALL ALSO BE ACCEPTABLE FOR HAND NAILING, PROVIDED THE REQUIRED EMBEDMENT IS MAINTAINED



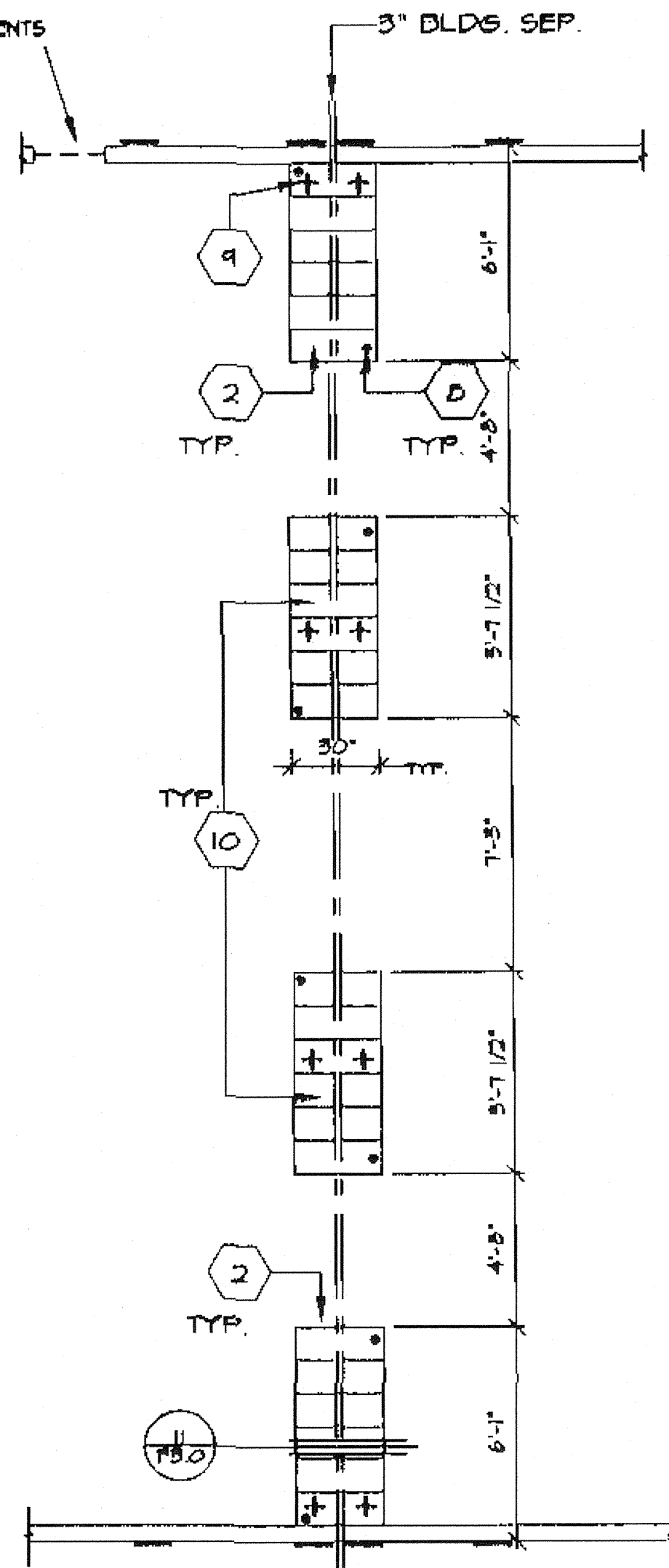
KEY NOTES

- 1 2"x6" SILL PLATE (END WALL)
- 2 6- 2X12X30" LONG SILL PADS
- 3 PIPE TO GRADE (TYP.)
- 4 3" HIGH BY 6'-6" LONG VENT
- 5 2X12 SILL PLATE (SIDE WALL)
- 6 4-2X12X30" LONG SILL PADS
- 7 6"x12"x10 GA. PLATES
- 8 1" Ø PIPE EA. END EA. PAD AT ADJ. BLDG. LINE
- 9 5/8" Ø X 4" LAG (4-PER BLDG. MIN.)
- 10 6- 2X12X30" LONG SILL PADS

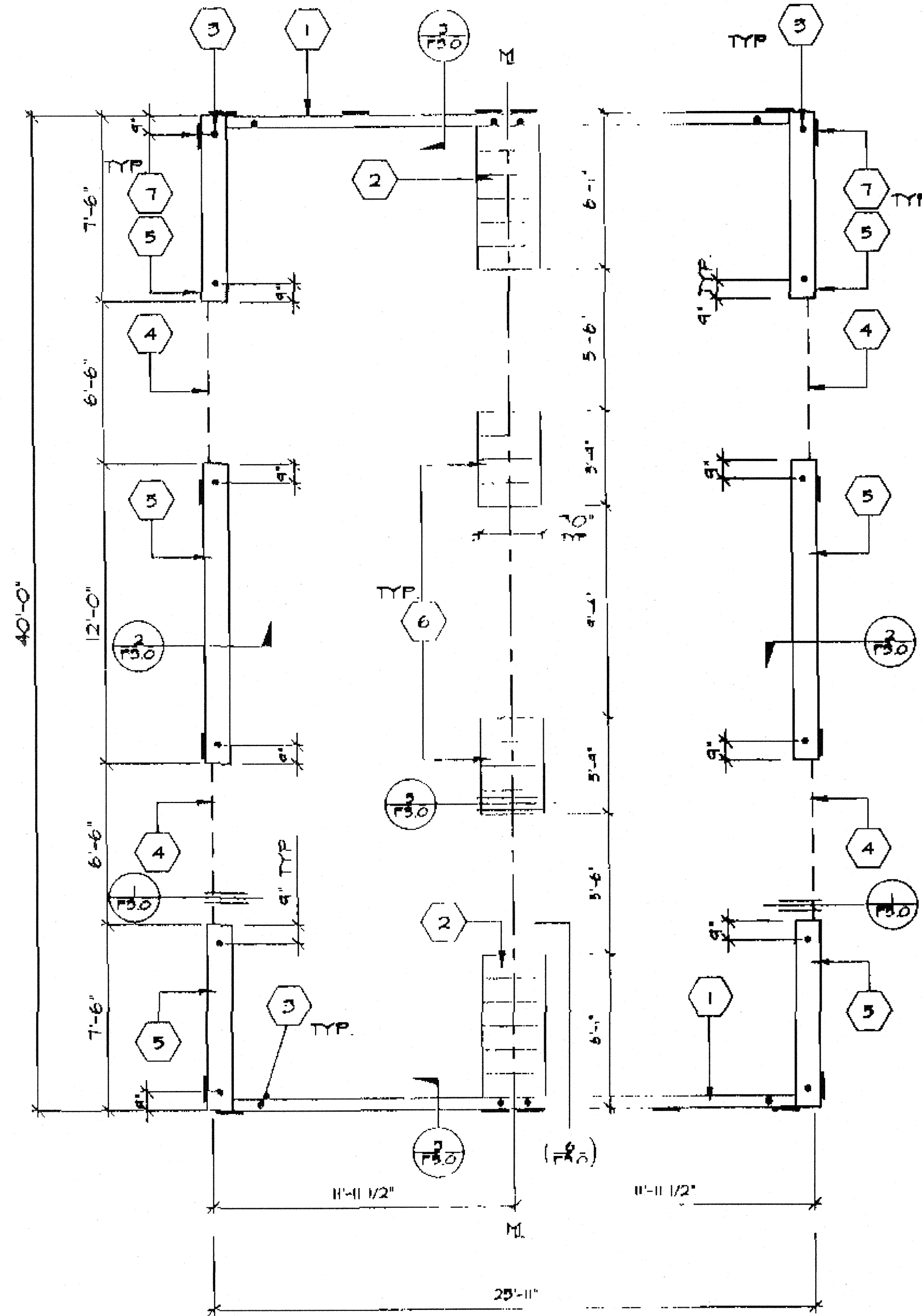
GENERAL NOTES:

- A. SOIL RESTRAINT: ON A.C. PAVING AND ON SOIL 1" O.D. GALVANIZED PIPE AT 10'-0" 12" PENETRATION BELOW SURFACE VERTICALLY. DRILL SILL 1-1/4" MAX. PIPE MAY BE DRIVEN MAX. OF 45° ANGLE TO VERTICAL. (10-1/2" LONG PIPE REQUIRED FOR PENETRATION AT 45° ANGLE)
- B. ON CONCRETE PAVING HILTI DS 62-PI0 THRU SILL PLATE:
END WALLS: 8" O.C.
SIDE WALLS: 22" O.C.
- C. WHERE SHIM STOCK IS REQUIRED FOR LEVELING USE 1/4", 1/2", OR 3/4" THICK PLYWOOD SAME WIDTH AS BLOCK. P.T.
- D. VERIFY DRAINAGE TO PREVENT WATER FROM PONDING BENEATH THE STRUCTURE. WITH DISTRICT ARCHITECT SITE PLANS
- E. ALL FOUNDATION MATERIAL SHALL BE HEM FIR
GROUND CONTACT: LP-22 (CCA 40)
ABOVE GROUND: LP-2 (CCA 25)
- F. FOUNDATION DESIGNED FOR 1000 PSF SOIL BEARING PRESSURE PER ORS IR 25-6.
ABOVE GROUND: LP-2

5" X 24" END WALL VENTS AS REQUIRED FOR ADJACENT BUILDING APPLICATIONS MIN. 10" FROM BLDG. CORNERS MIN. 10" FROM MODLINES MIN. 12" BLOCKING BETWEEN VENTS



PAD FTG'S AT ADJ. BLDG.



VENT CALCS.

BLDG'S SIZE 24' X 40' = 960 sq
 VENTILATION REQ'D 960 ÷ 150 = 6.4 sq
 3' X 6'-6" VENT = 1.625 sq
 4 VENTS X 1.625 sq = 6.5 sq
 6.5 sq > 6.4 sq

FOUNDATION (WOOD SILL)

24 x 40 - 50 PSF LL

SCALE 1/4"=1'-0"

[Handwritten signature]

REVISIONS

ELECTRICAL	MECHANICAL	STRUCTURAL	ARCHITECT	DIVISION OF THE STATE ARCHITECT
				<p>REVISED MAR 27 1996</p> <p>IDENTIFICATION STAMP DIV. OF THE STATE ARCHITECT OFFICE OF REGULATION SERVICES</p> <p>PC 275</p> <p>DATE 7/14/96</p>

MODTECH INC.

2830 BARRETT AVE.
 PERRIS, CA. 92572
 PH. (909) 943-4014
 FX. (909) 940-0427

CONFIDENTIAL - THIS DOCUMENT AND THE INFORMATION CONTAINED HEREIN ARE THE PROPERTY OF MODTECH INC. UNAUTHORIZED COPYING, DISCLOSURE, OR OTHER UNAUTHORIZED USES ARE PROHIBITED

JOB NO. _____

IDENTIFICATION STAMP
 DIV. OF THE STATE ARCHITECT

APPROX. 115000
 AC. 115000
 DATE DEC 11 1996

7/24/96

FOUNDATION PLAN

DRAWN BY _____
 DATE _____
 CHECKED BY _____
 DATE _____

FO.