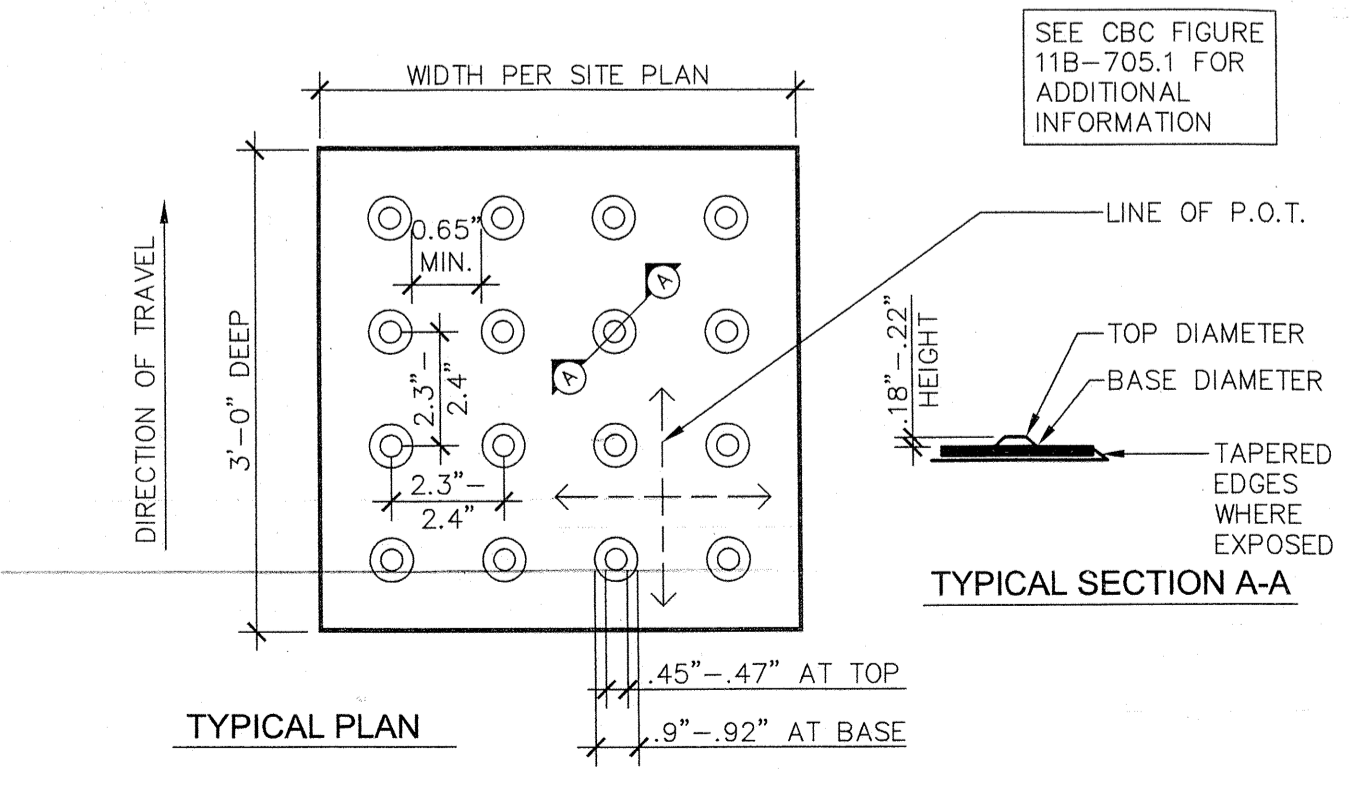


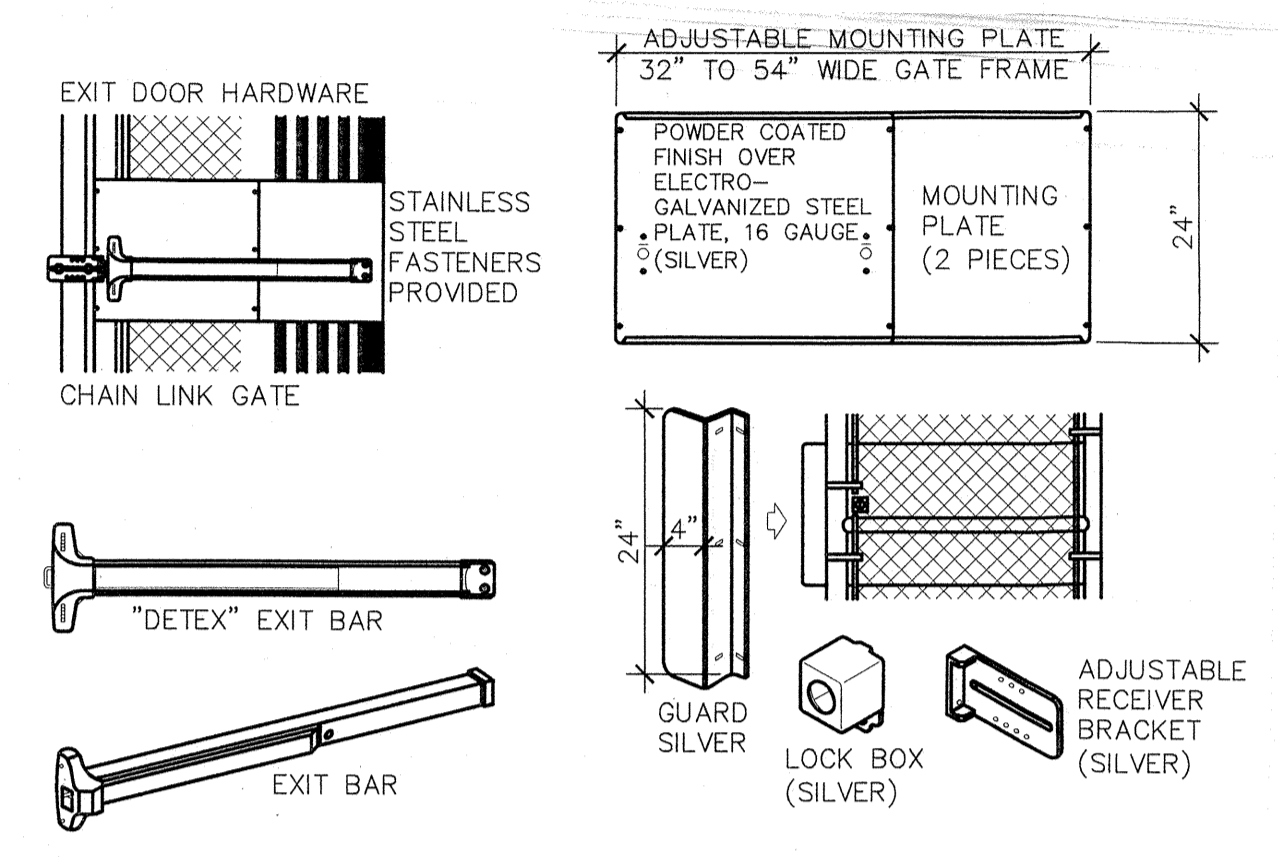
16 ACCESSIBLE ENTRY GATE AND TYPICAL 6' FENCE
A1.03 ADY100-06 SCALE: N.T.S.

- FENCE ITEMS TO BE FURNISHED & INSTALLED**
- 1 4" O.D. GALVANIZED STEEL GATE POST (9.1 lb/ft)
 - 2 180° HINGE (TYP. FOR 4)
 - 3 16ga GATE GUARD, SEE 15/A1.03
 - 4 2" O.D. GALVANIZED STEEL GATE FRAME (2.72 lb/ft) (2"x2" TUBE AT SINGLE ENTRY MAN-GATES)
 - 5 1/2" O.D. GALVANIZED STEEL HORIZONTAL RAIL (2.27 lb/ft)
 - 6 2"x2" MESH x 9 GAUGE GALVANIZED FENCE FABRIC WITH KNUCKLED TOP AND BOTTOM SELVAGE. FENCE FABRIC TO BE GALVANIZED BEFORE WEAVING (GBW)
 - 7 1/4"x3/4" GALVANIZED STEEL STRETCHER BAR
 - 8 9 GAUGE (0.148" DIA.) GALVANIZED STEEL-TIE WIRES OR HOG RINGS AT 15" MAX. SPACING. MIN. 8 TIE WIRES PER EACH 10" HORIZONTAL RAIL
 - 9 TRIM, TUBULAR HANDLE & RIM CYLINDER LOCK PER DISTRICT STANDARD
 - 10 GALVANIZED ADJUSTABLE TURNBUCKLE FOR 3/8" DIA. TRUSS ROD
 - 11 3/8" DIA. GALVANIZED STEEL ADJUSTABLE TRUSS ROD. TRUSS RODS REQUIRED FOR ALL GATE POST PANELS AND END OR CORNER POST PANELS
 - 12 GALVANIZED STEEL STRETCHER BAR TENSION BAND AT 12" MAX. SPACING. MIN. OF 12 TENSION BANDS FOR 12'-0" POST; MIN. OF 6 TENSION BANDS FOR 6'-0" POSTS
 - 13 3/8"x6" GALVANIZED HOOK BOLT WITH NUT IMBEDDED IN MOWSTRIP MIDWAY BETWEEN POSTS
 - 14 7 GAUGE (0.177" DIA.) GALVANIZED STEEL TENSION WIRE
 - 15 1/2" O.D. GALVANIZED STEEL HORIZONTAL RAIL TO BE ADDED TO 6'-0" HIGH CHAIN LINK FENCE AROUND KINDERGARTEN PLAY AREA ONLY AND AT END OF BASKETBALL COURTS
 - 16 RAINPROOF CAP
 - 17 4"x4"x3/16" H.S.S.
 - 18 3/16" CAP R W/ 3/16" FILLET WELD, GRIND SMOOTH
 - 19 POWDER COATED FINISH OVER ELECTRO-GALVANIZED 10"x GATE WIDTH, 16ga MTL. PLATE (SILVER). BOTH SIDES OF EACH GATE.
 - 20 5-1/2" THICK CONCRETE MOWSTRIP AT GATE OPENING
 - 21 CLASS B CONCRETE POST FOOTING (TYP.)

NOTES:
1. CONTRACTOR TO PROVIDE AND INSTALL GATE HOLD BACK FOR EACH DRIVE GATE. HOLD BACK TO BE INSTALLED IN FENCE MOWSTRIP, UNLESS OTHERWISE SHOWN.

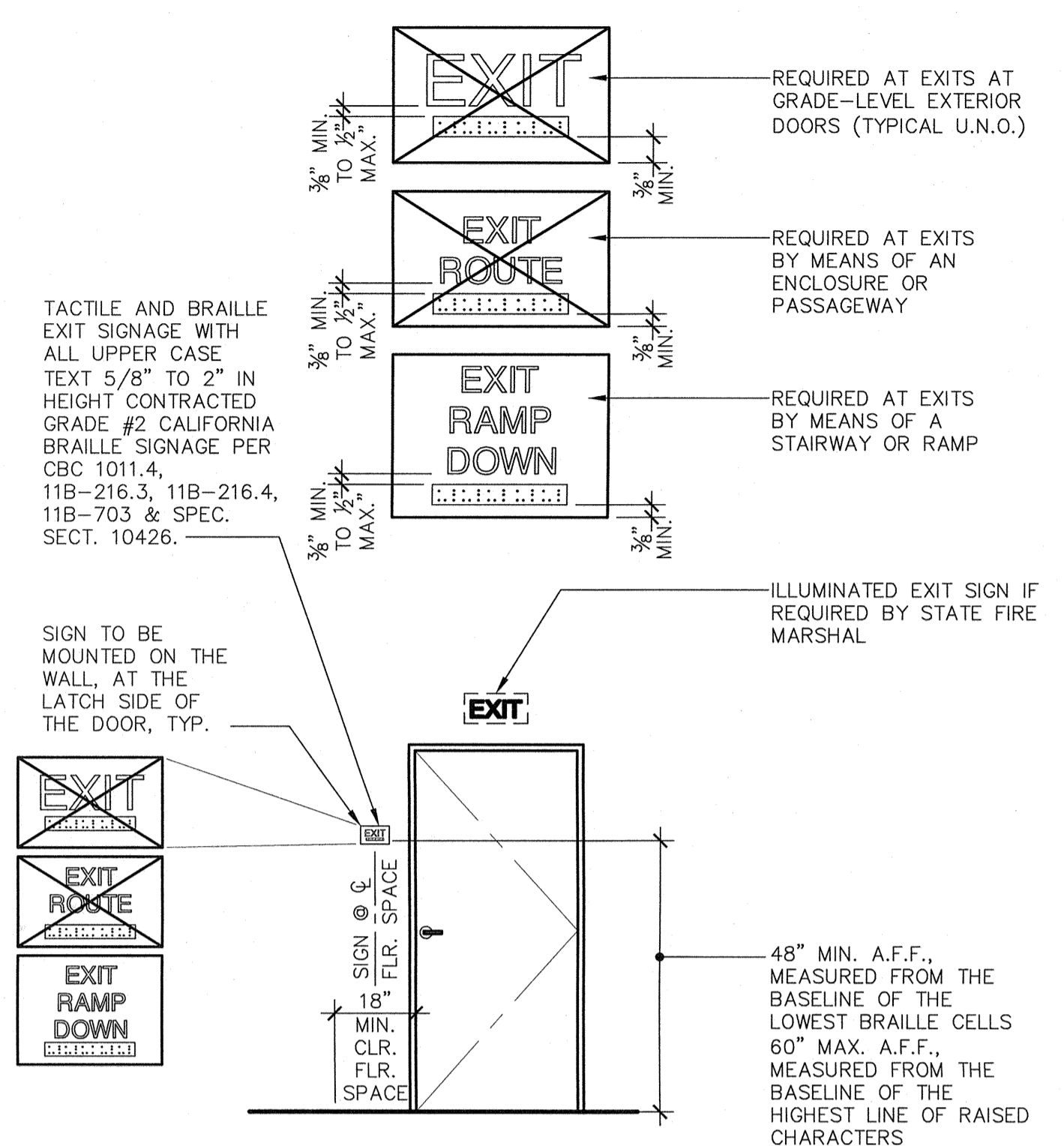


11 TRUNCATED DOMES
A1.03 ADA100-23 SCALE: NO SCALE

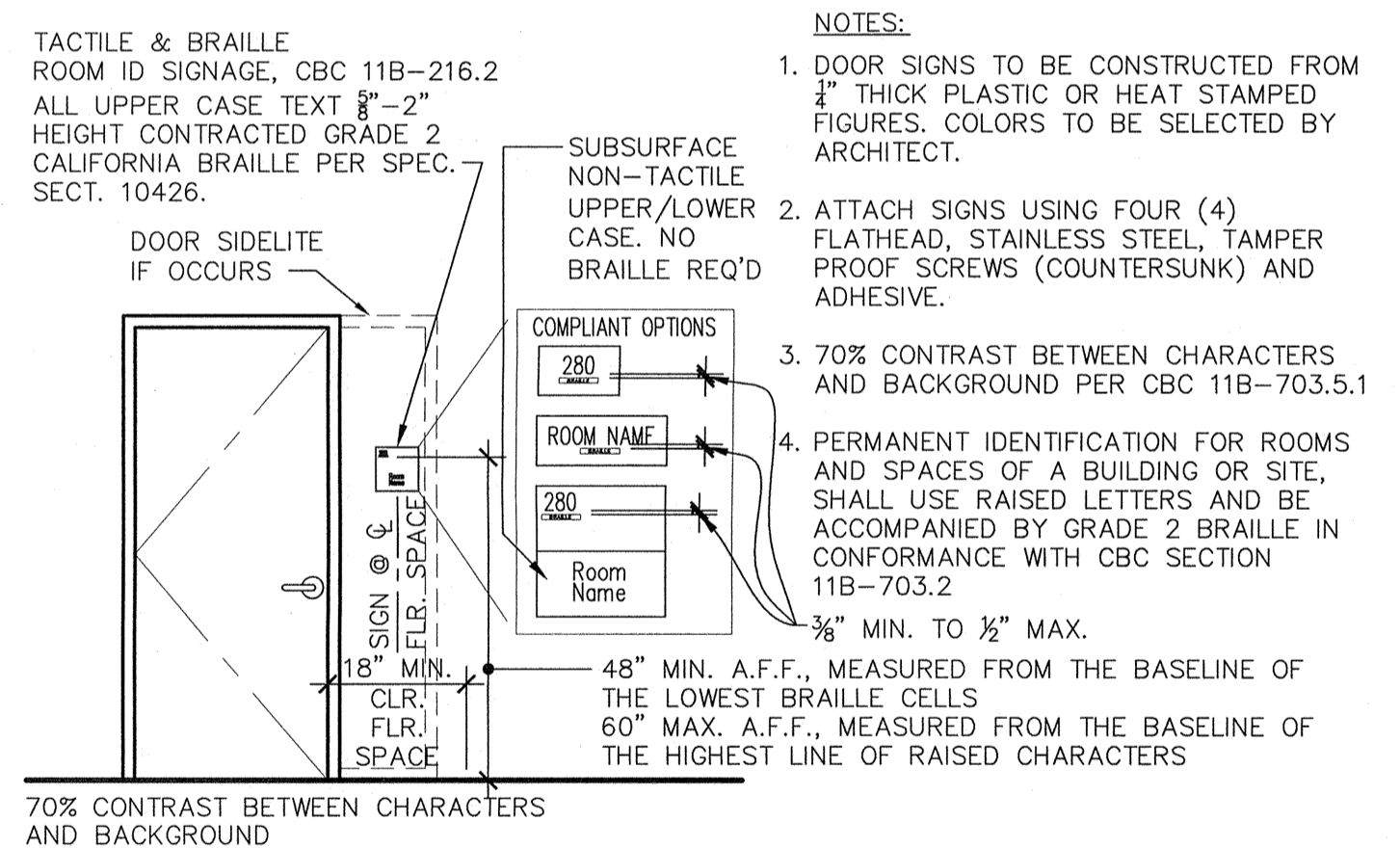


15 PANIC DOOR HARDWARE
A1.03 ADY100-02 SCALE: 1 1/2" = 1'-0"

- NOTES:**
1. DOOR SIGNS TO BE CONSTRUCTED FROM 1/4" THICK PLASTIC OR HEAT STAMPED FIGURES. COLORS TO BE SELECTED BY ARCHITECT.
 2. ATTACH SIGNS USING FOUR (4) FLATHEAD, STAINLESS STEEL, TAMPER PROOF SCREWS, (COUNTERSUNK) AND ADHESIVE.
 3. 70% CONTRAST BETWEEN CHARACTERS AND BACKGROUND

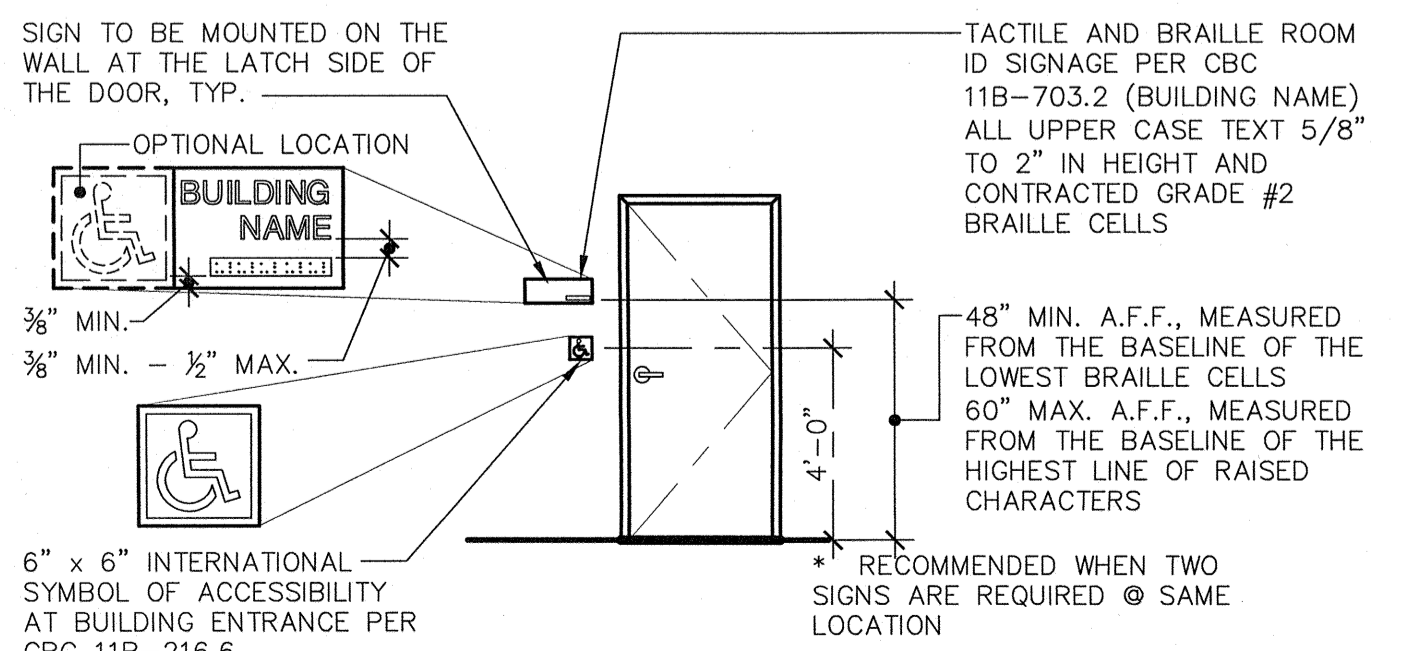


2 TYPICAL EXTERIOR DOOR SIGNAGE
A1.03 ADX200-01 SCALE: 3/8" = 1'-0"



3 ROOM ID SIGNAGE
A1.03 ADX100-01 SCALE: NO SCALE

- NOTES:**
1. DOOR SIGNS TO BE CONSTRUCTED FROM 1/4" THICK PLASTIC OR HEAT STAMPED FIGURES. COLORS TO BE SELECTED BY ARCHITECT.
 2. ATTACH SIGNS USING FOUR (4) FLATHEAD, STAINLESS STEEL, TAMPER PROOF SCREWS (COUNTERSUNK) AND ADHESIVE.
 3. 70% CONTRAST BETWEEN CHARACTERS AND BACKGROUND PER CBC 11B-703.5.1
 4. ISA SYMBOL CAN ALSO BE PLACED ON DOOR. THE LOCATION IS NOT REGULATED.



4 BUILDING ENTRANCE/I.S.A. SIGNAGE
A1.03 ADA100-01 SCALE: 1/4" = 1'-0"

Ownership of Documents
This document, the ideas and designs incorporated herein, as an instrument of Professional Service is the property of Integrated Designs by SOMAM, Inc. and is not to be used, in whole or in part for any other project without written authorization.
© COPYRIGHT 2014

integrated designs by SOMAM, Inc.
ARCHITECTURE - INTERIOR DESIGN - CONSTRUCTION MANAGEMENT
8011 N. Fresno, Suite 130 - Fresno, California 93710
Phone (559) 430-0881 Fax (559) 430-0887 E-Mail: design@somam.com
www.integrateddesigns.com

Rev. No.	Date	Description

SITE DETAILS

Project Name & Address:
**3 RELOCATABLE CLASSROOMS
FREMONT ELEMENTARY SCHOOL**
BAKERSFIELD CITY SCHOOL DISTRICT
607 TEXAS ST., BAKERSFIELD, CA 93307

Issue Date: 05/27/14
Date: 06/19/14
Designer: [Signature]
DR: [Signature]
PC: CUH

Agency Approval Stamp:

IDENTIFICATION STAMP
DIV OF THE STATE ARCHITECT
APPROB 116600
AC: [Signature]
D: [Signature]

7/24/14

Stamp(s):

Job No: **5124**

Sheet No: **A1.03**

Release: [Signature]

CHRISTIAN J. HILL