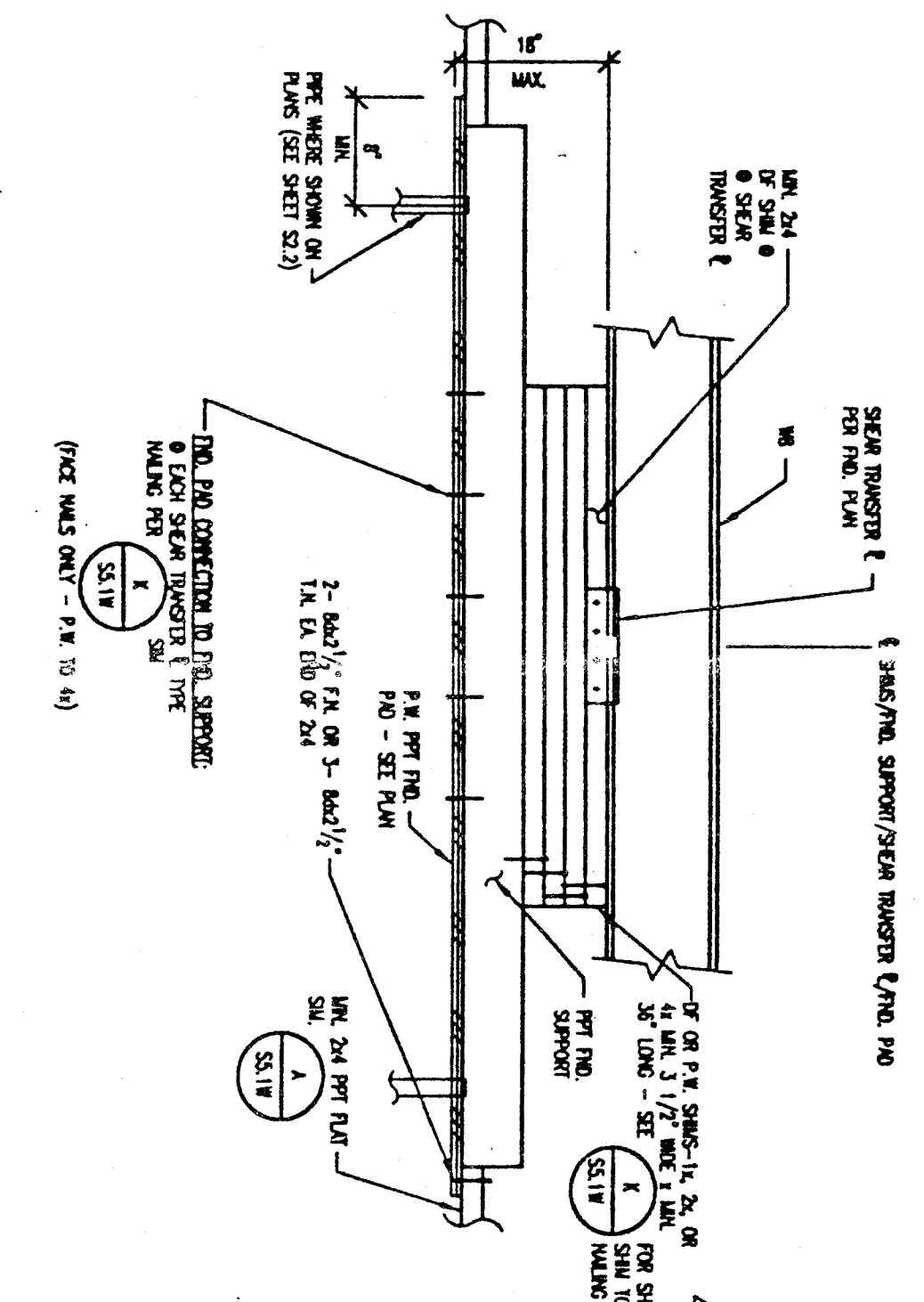
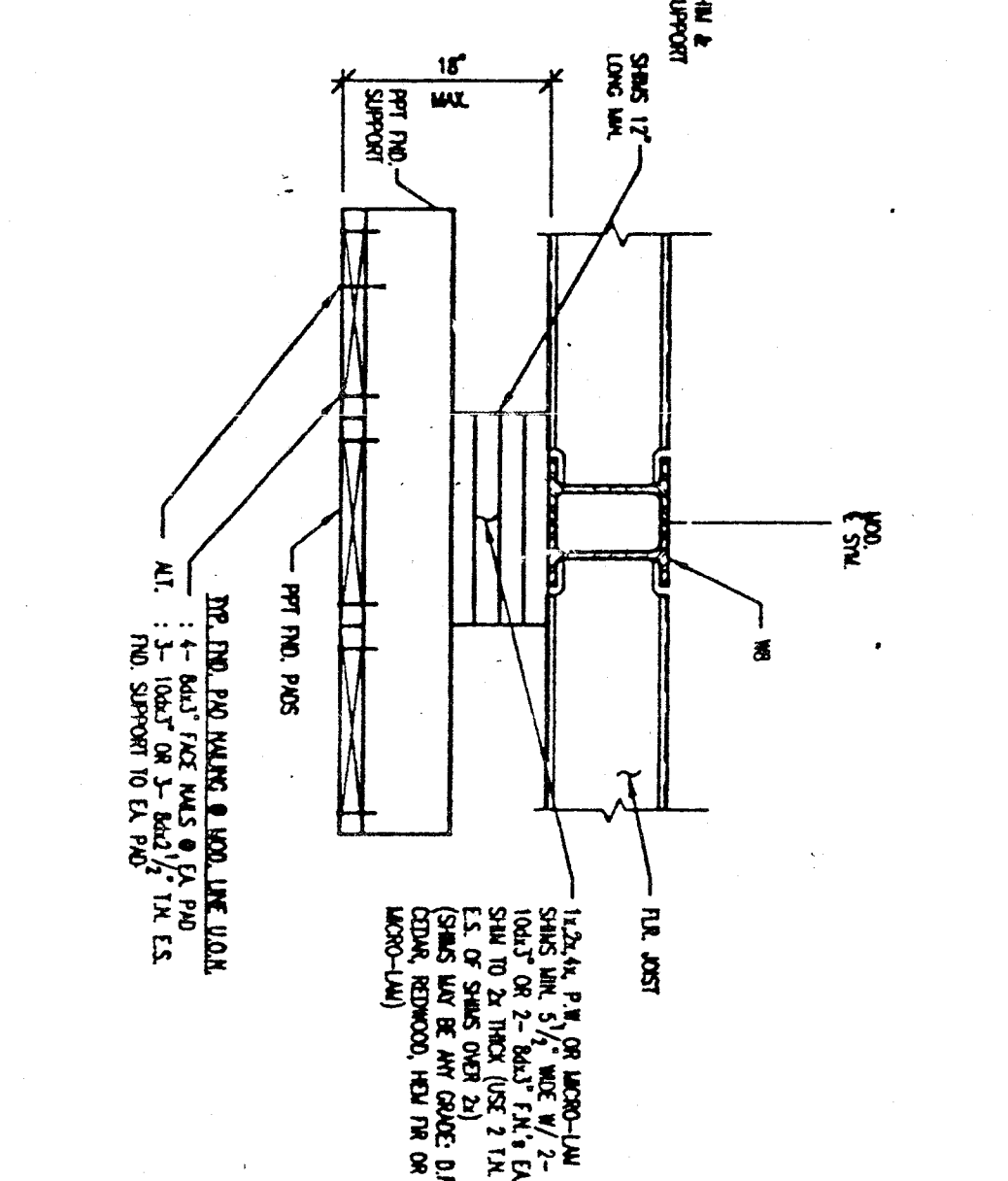


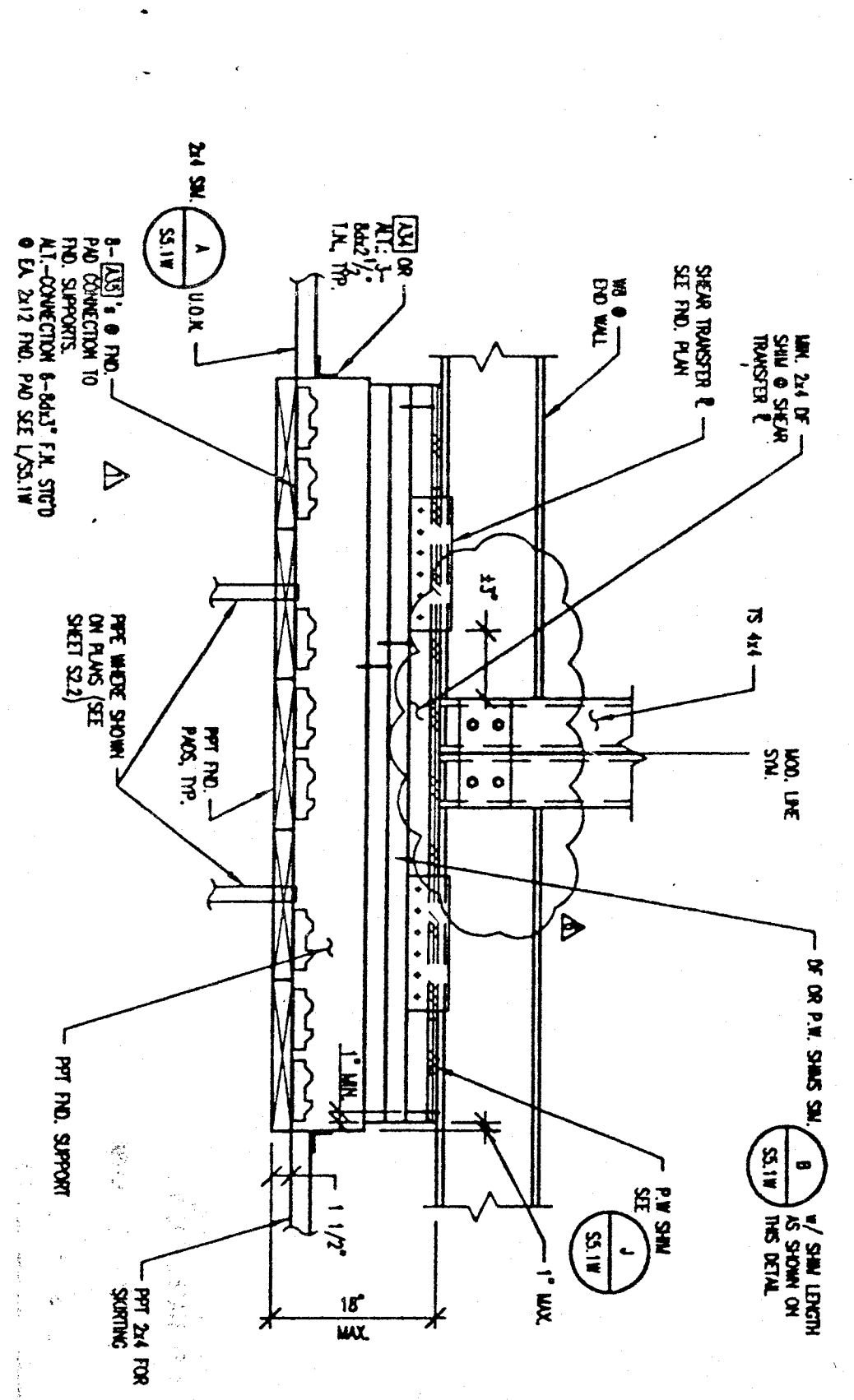
1 DET. - FIG. 1 SIDEWALLS  
(TOP WALL)  
SCALE: 1/4" = 1'-0"



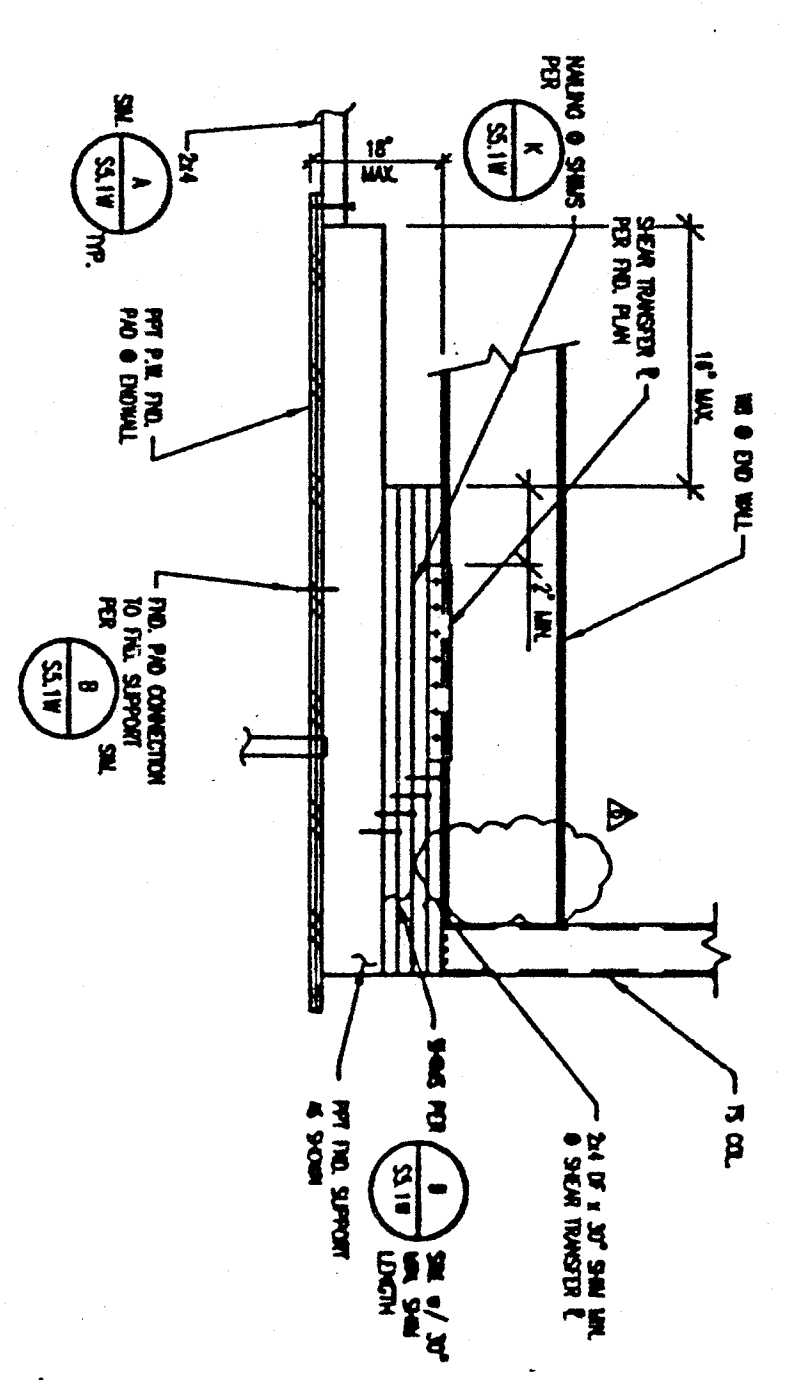
2 DET. - FIG. 2 SIDEWALLS w/ SHEAR TRANSFER R  
SCALE: 1/4" = 1'-0"



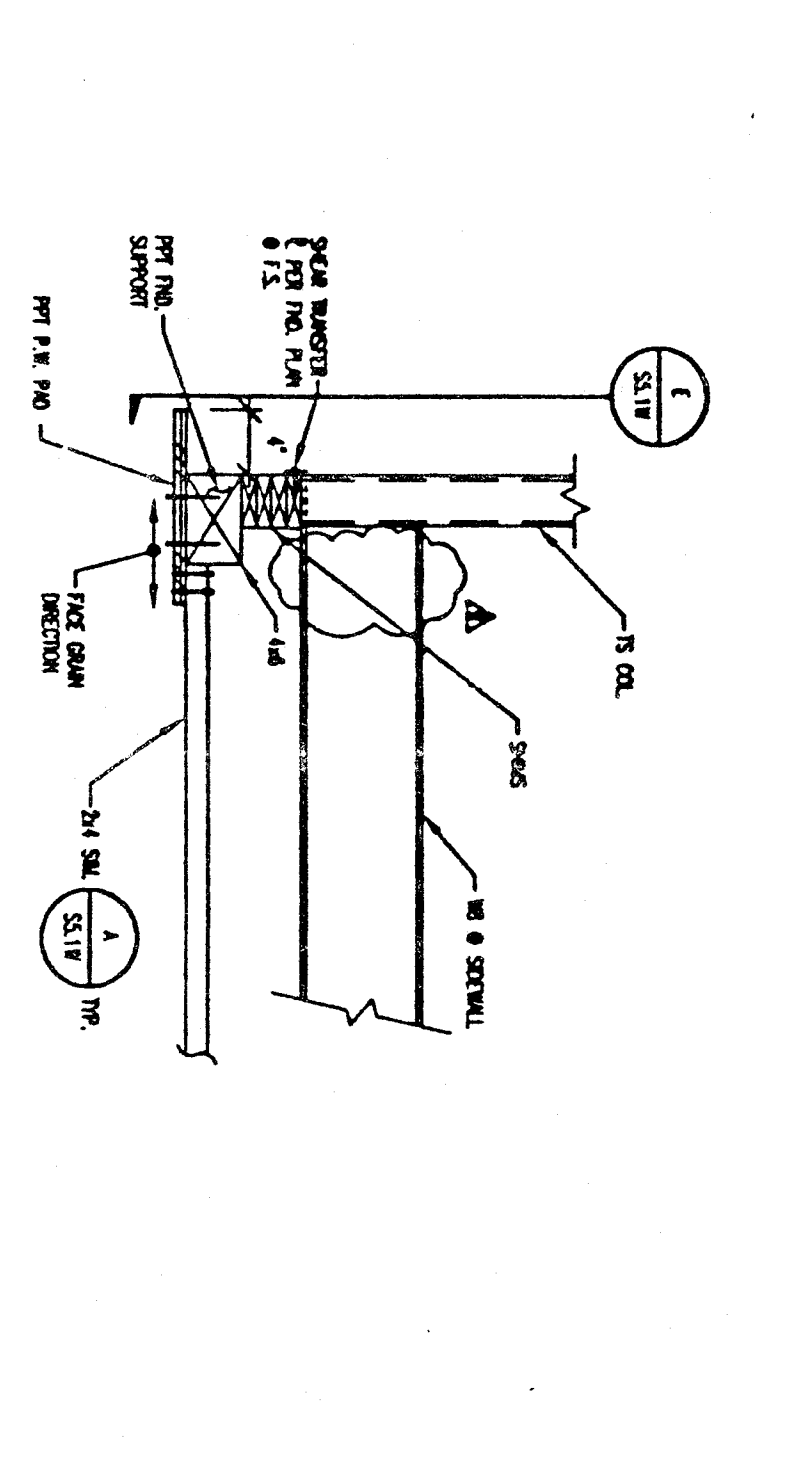
3 DET. - FIG. 3 MOD. LINE  
SCALE: 1/4" = 1'-0"



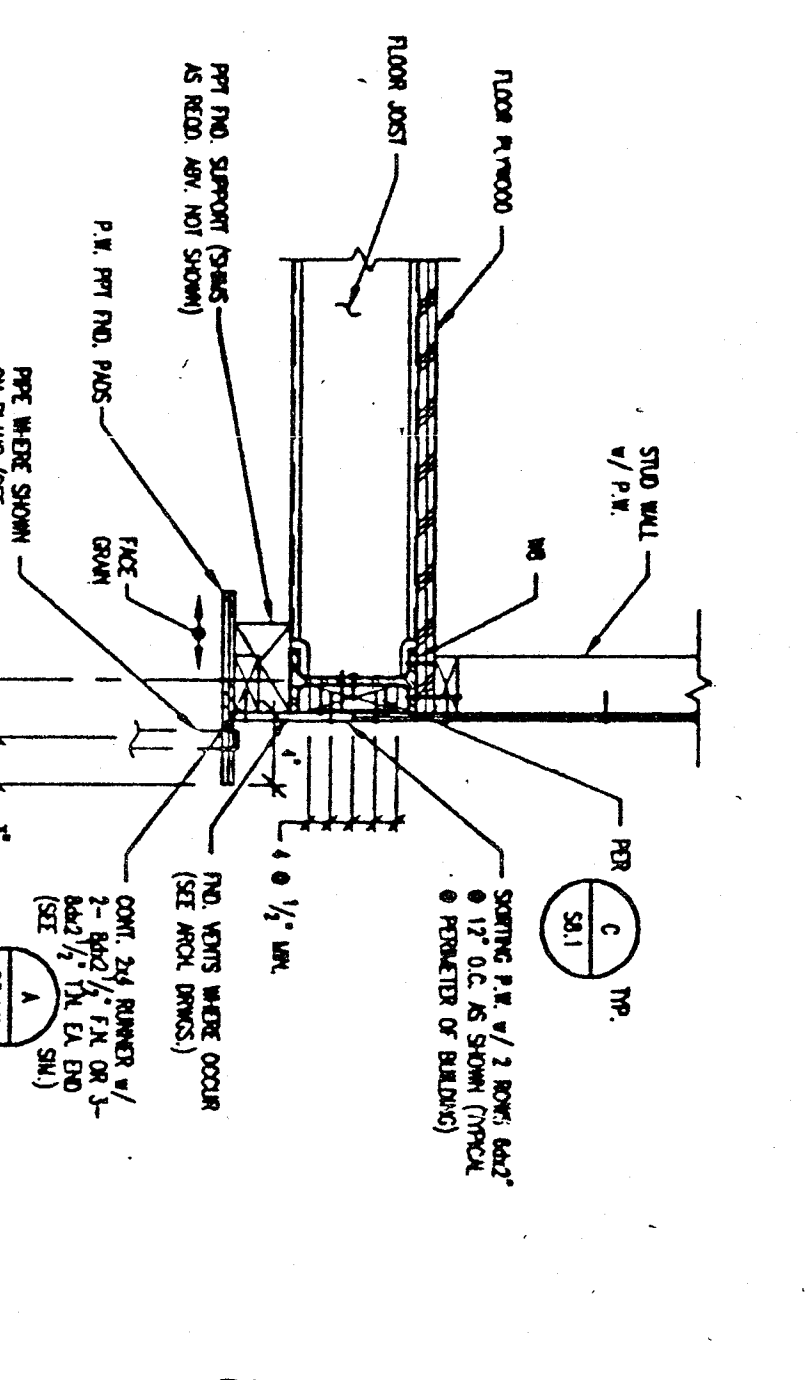
4 DET. - FIG. 4 AT ENDWALL & MOD. LINE  
(END WALL)  
SCALE: 1/4" = 1'-0"



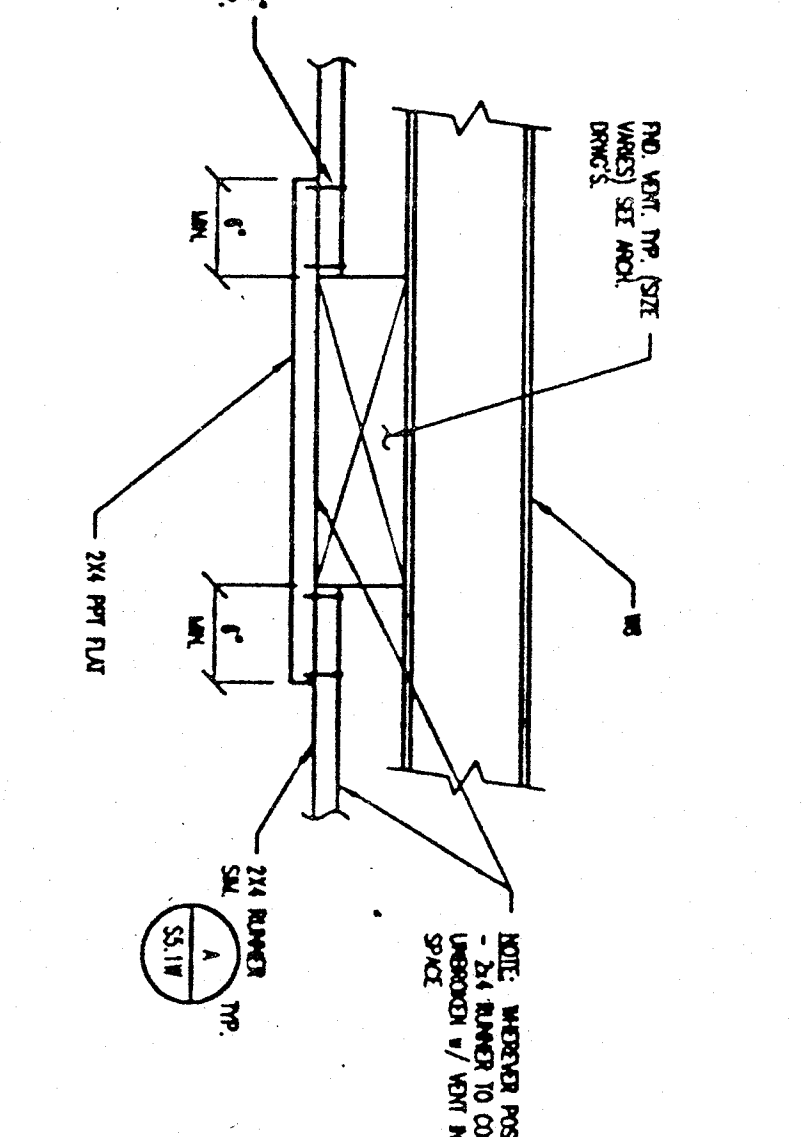
5 DET. - FIG. 5 CORNERS  
(GENERAL)  
SCALE: 1/4" = 1'-0"



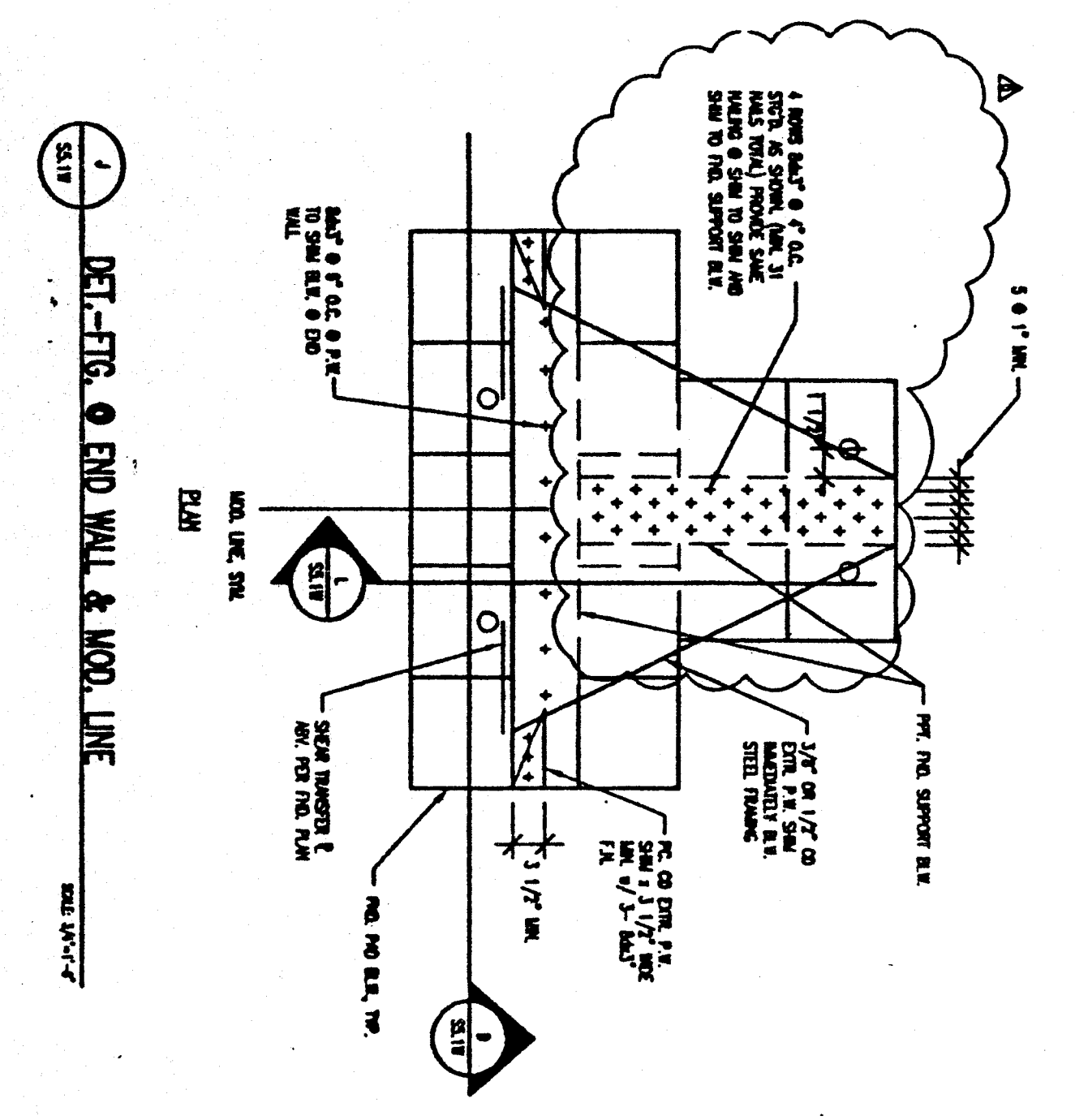
6 DET. - FIG. 6 CORNERS  
(GENERAL)  
SCALE: 1/4" = 1'-0"



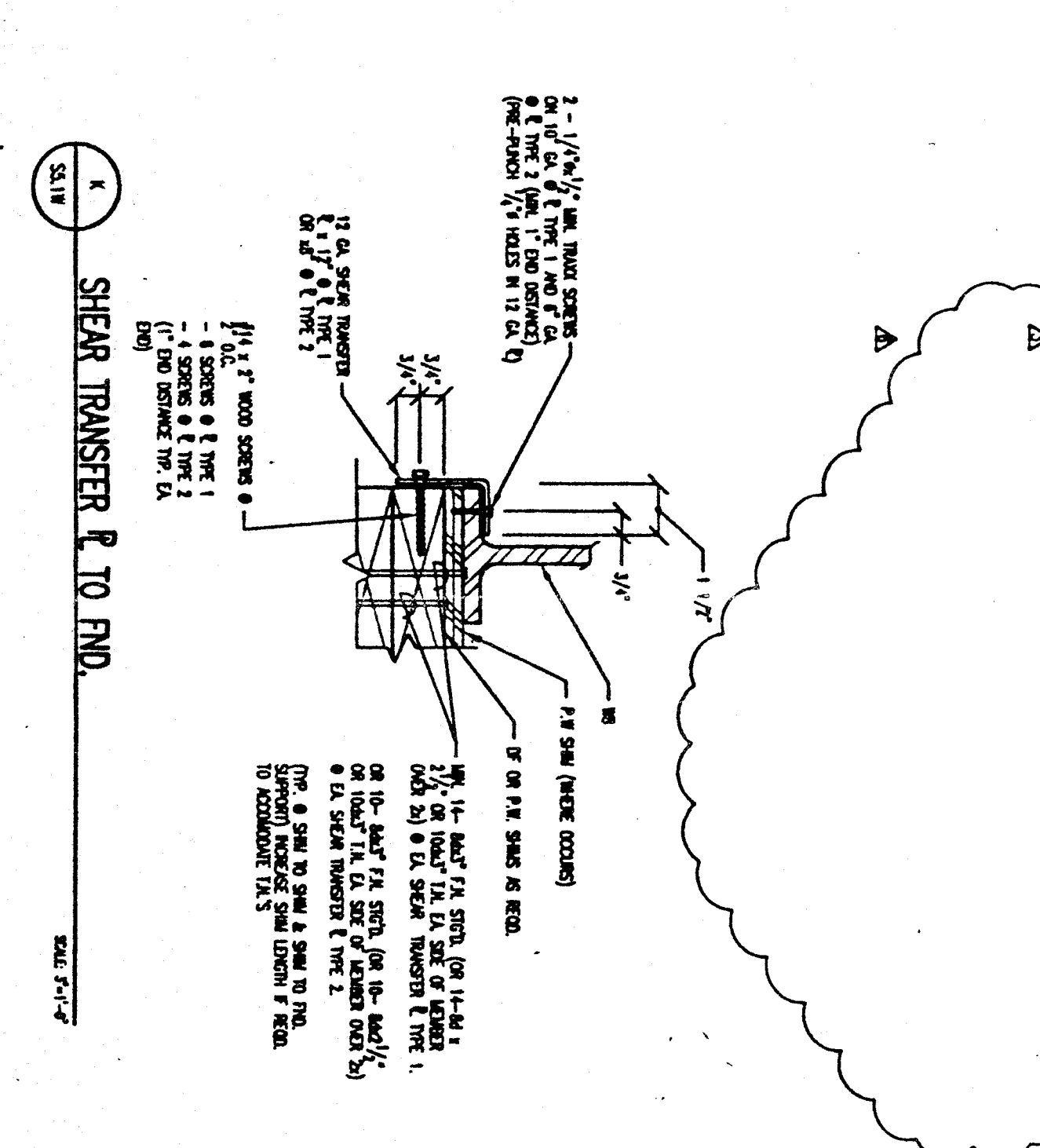
7 DET. - FIG. 7 SKIRTING  
(GENERAL SKIRTING ENDWALL SH)  
SCALE: 1/4" = 1'-0"



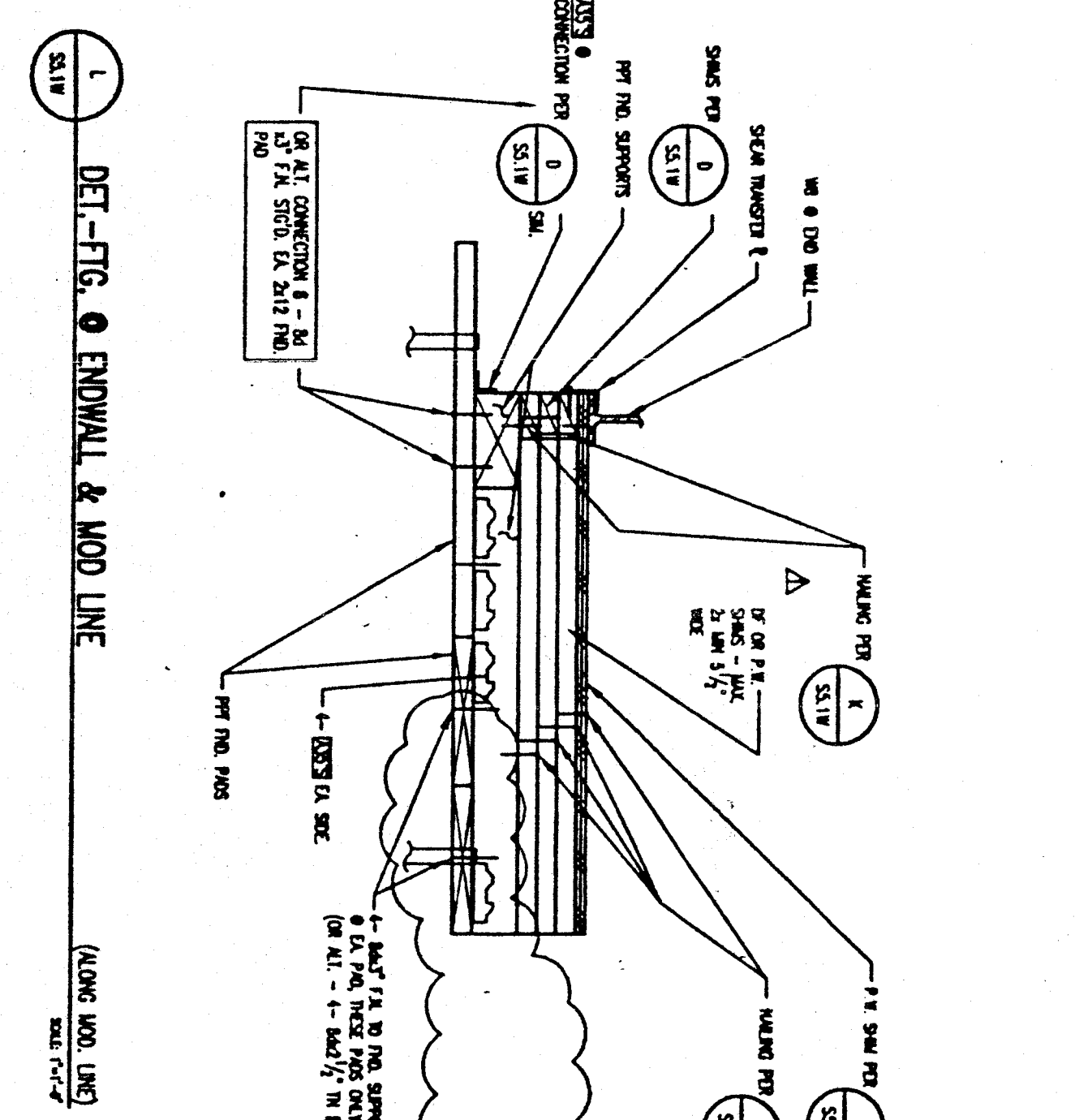
8 DET. - FIG. 8 END VENT  
(INTER. AIR SPACE BEH. END VENT)  
SCALE: 1/4" = 1'-0"



9 DET. - FIG. 9 END WALL & MOD. LINE  
SCALE: 1/4" = 1'-0"



10 DET. - FIG. 10 SHEAR TRANSFER R TO FND  
SCALE: 1/4" = 1'-0"



11 DET. - FIG. 11 ENDWALL & MOD. LINE  
(ALONG MOD. LINE)  
SCALE: 1/4" = 1'-0"

REGISTERED ARCHITECT  
D.W. H. SMITH  
ARCH. 1018.01  
NOV 1988  
NO. 115 511 K.C.  
D.W. H. SMITH  
D.W. H. SMITH ARCHITECT

REGISTERED PROFESSIONAL ENGINEER  
1098.97  
NOV 1988  
NO. 115 511 K.C.  
D.W. H. SMITH  
D.W. H. SMITH ARCHITECT

THESE DRAWINGS AND / OR SPECIFICATIONS AND / OR CALCULATIONS AND THE ITEMS LISTED THEREIN HAVE BEEN PREPARED BY OTHER REGISTERED PROFESSIONALS WHO ARE LICENSED AND AUTHORIZED TO PREPARE SUCH DRAWINGS AND / OR SPECIFICATIONS AND / OR CALCULATIONS IN THE STATE OF CALIFORNIA. THE REGISTERED PROFESSIONALS HAVE REVIEWED THESE DRAWINGS AND / OR SPECIFICATIONS AND / OR CALCULATIONS AND THE PROJECT SPECIFICATIONS REFERENCED THEREIN AND HAVE FOUND THEM TO BE IN ACCORDANCE WITH THE REQUIREMENTS OF THE CALIFORNIA CODE OF REGULATIONS AND THE PROJECT SPECIFICATIONS REFERENCED THEREIN. THE REGISTERED PROFESSIONALS HAVE INCORPORATED INTO THE CONSTRUCTION OF THESE DRAWINGS AND / OR SPECIFICATIONS AND / OR CALCULATIONS THE PROJECT SPECIFICATIONS REFERENCED THEREIN AND HAVE FOUND THEM TO BE IN ACCORDANCE WITH THE REQUIREMENTS OF THE CALIFORNIA CODE OF REGULATIONS AND THE PROJECT SPECIFICATIONS REFERENCED THEREIN. THE REGISTERED PROFESSIONALS HAVE REVIEWED THESE DRAWINGS AND / OR SPECIFICATIONS AND / OR CALCULATIONS AND THE PROJECT SPECIFICATIONS REFERENCED THEREIN AND HAVE FOUND THEM TO BE IN ACCORDANCE WITH THE REQUIREMENTS OF THE CALIFORNIA CODE OF REGULATIONS AND THE PROJECT SPECIFICATIONS REFERENCED THEREIN. THE REGISTERED PROFESSIONALS HAVE INCORPORATED INTO THE CONSTRUCTION OF THESE DRAWINGS AND / OR SPECIFICATIONS AND / OR CALCULATIONS THE PROJECT SPECIFICATIONS REFERENCED THEREIN AND HAVE FOUND THEM TO BE IN ACCORDANCE WITH THE REQUIREMENTS OF THE CALIFORNIA CODE OF REGULATIONS AND THE PROJECT SPECIFICATIONS REFERENCED THEREIN.

EXTRA, SHARPE, LINDNER  
OCT 18 1998

REGISTERED ARCHITECT  
D.W. H. SMITH  
ARCH. 1018.01  
NOV 1988  
NO. 115 511 K.C.  
D.W. H. SMITH  
D.W. H. SMITH ARCHITECT

REGISTERED PROFESSIONAL ENGINEER  
1098.97  
NOV 1988  
NO. 115 511 K.C.  
D.W. H. SMITH  
D.W. H. SMITH ARCHITECT

ANDERSON & DOIG  
STRUCTURAL ENGINEERS  
A CALIFORNIA CORPORATION  
10100 PLAZA LANE, STE. 100, SACRAMENTO, CA 95825-1571  
(916) 486-9969

PACESETTER INDUSTRIES, INC.  
P.O. BOX 1131, MODESTO, CA 95353 (209) 521-1600  
24x40 RELOCATABLE BUILDING  
WOOD FOUNDATION DETAILS

REVISIONS	BY
Δ 5-22-97	B
Δ 4-26-97 (NO CHANGE)	B
Δ 7-24-97	B
Δ 6-27-97 (NO CHANGE)	B
Δ 60 MM - SET. AT. SPS.	B
Δ 10-11-97	B

REVISIONS  
NO. DATE BY  
1 10-11-97 B  
2 10-11-97 B  
3 10-11-97 B  
4 10-11-97 B  
5 10-11-97 B

DESIGN: JH  
CHECKED: BD/PJS  
DATE: 10-11-97  
AS NOTED  
JOB NO.: 97007\_PSPC1  
SHEET: 55.1W  
SHEETS