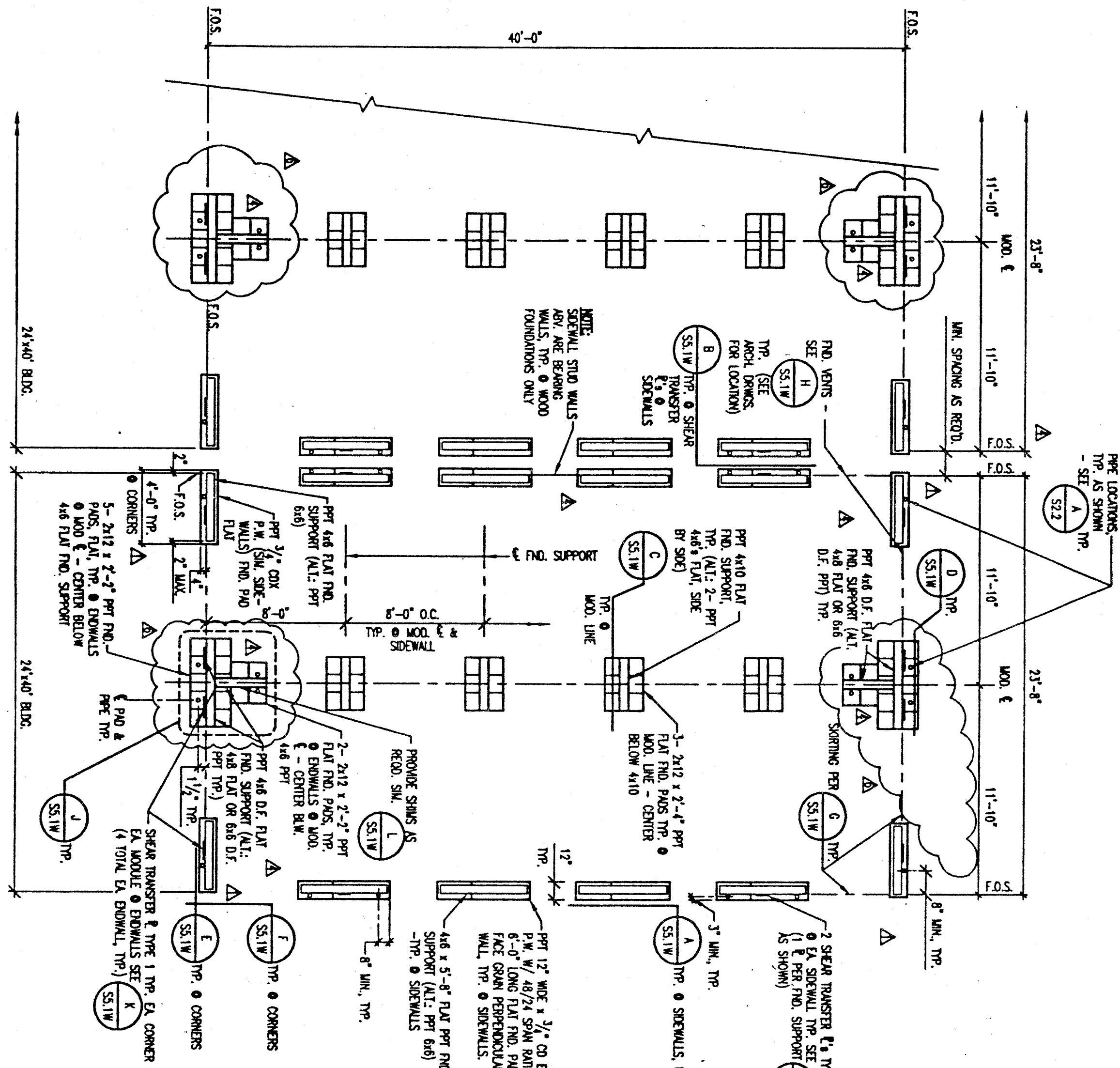
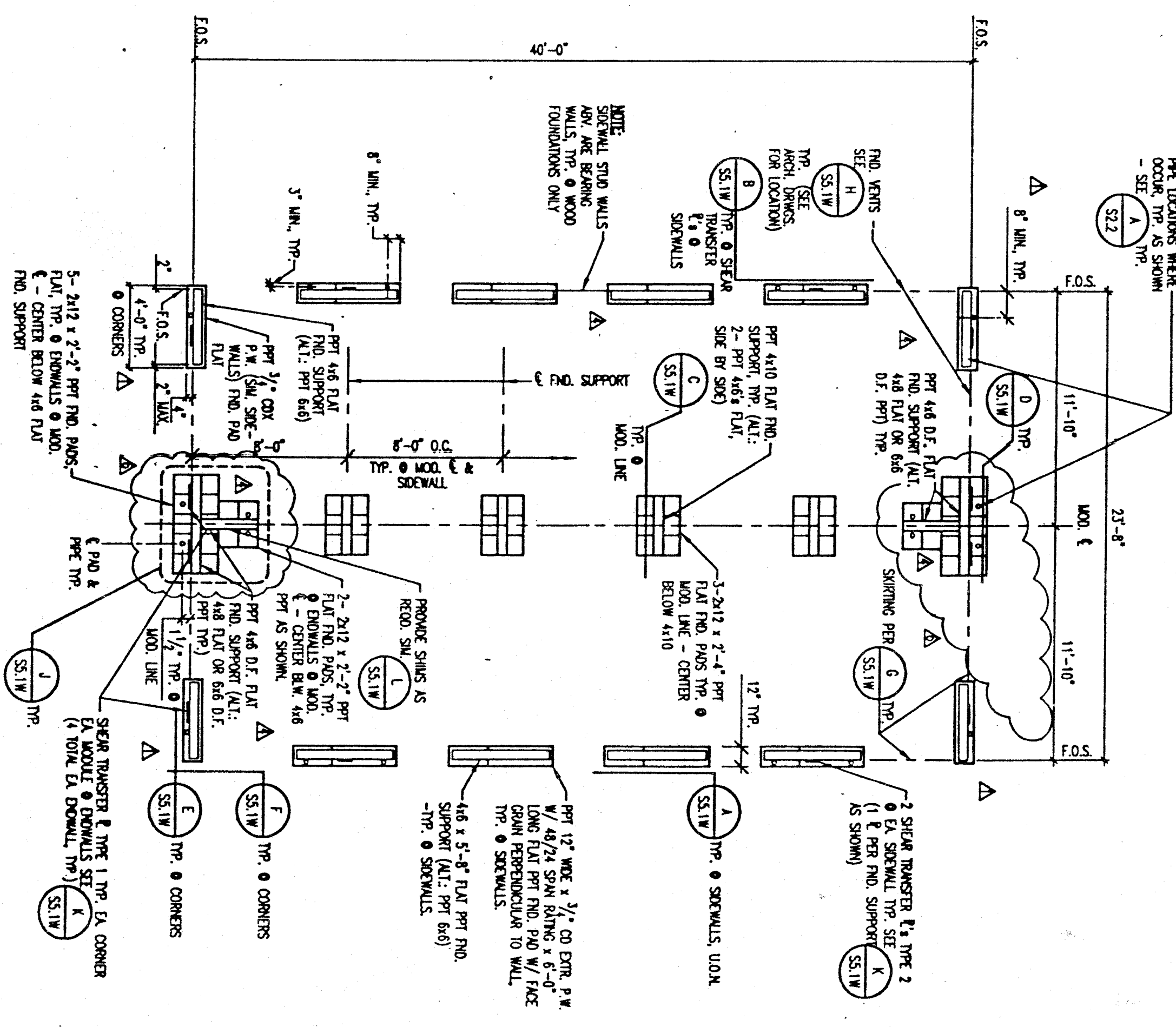


1 MULTIPLE 24x40' BLDG. WOOD FOUNDATION PLAN
SCALE: 3/16"=1'-0"

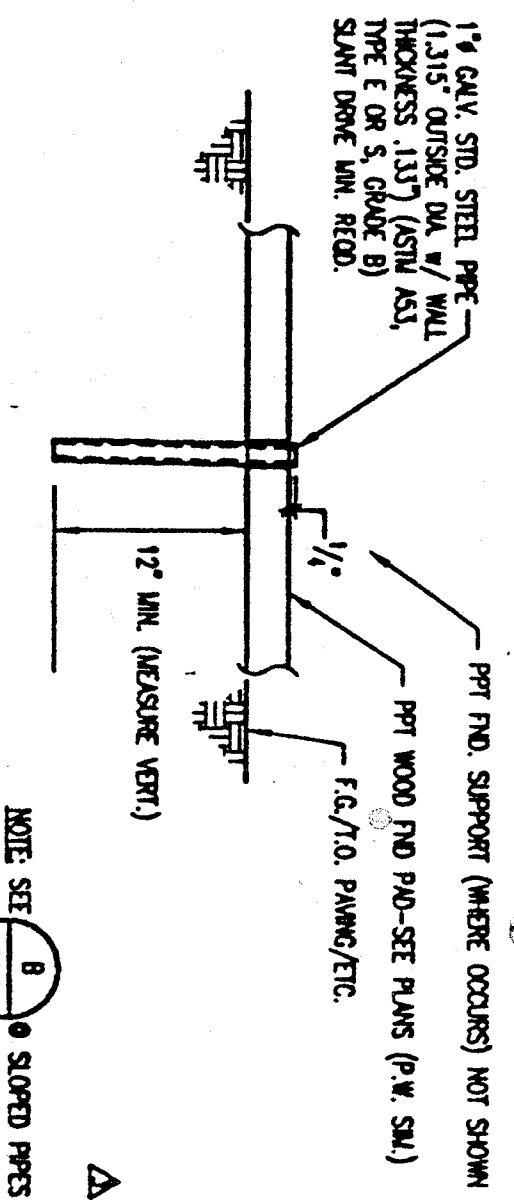


NOTE:
1. DIMENSIONS FOR SHIPMENTS
ON 24' AND 40' DIMENSIONS, THE 1/8\"/>

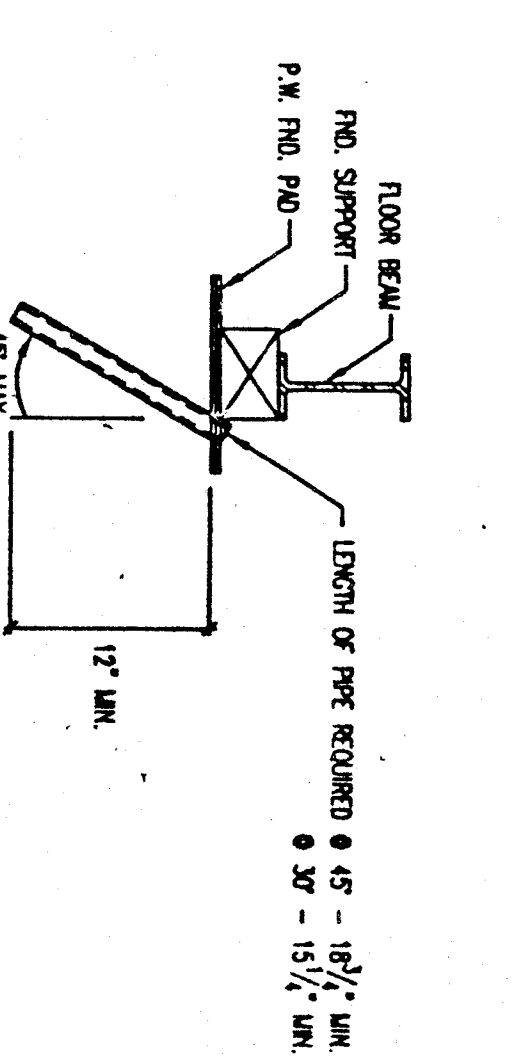
2 24x40' BLDG. WOOD FOUNDATION PLAN
SCALE: 3/16"=1'-0"



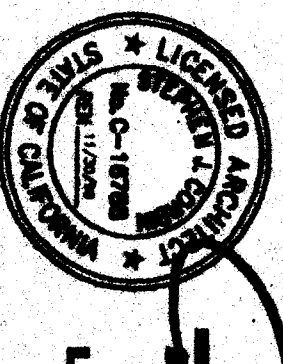
A TYPICAL PIPE RESTRAINT DETAIL
SCALE: N.T.S. (SEE PLANS ABOVE FOR LOCATIONS)



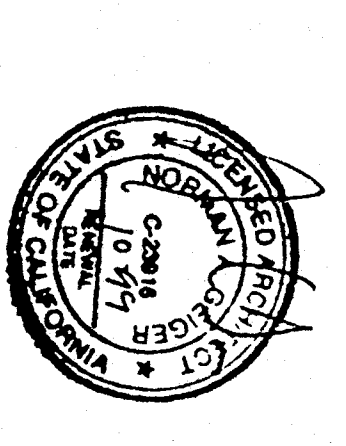
B TYPICAL PIPE SLOPE DETAIL
SCALE: N.T.S. (SEE PLANS ABOVE FOR LOCATIONS)



THESE DRAWINGS AND ALL CONSTRUCTION ITEMS FOR CALCULATION AND THE THEREABOUTS
SHOULD BE REVIEWED BY OTHER DESIGN PROFESSIONALS WHO ARE NOT THE DESIGNER
FOR THE PROJECT AND WHOSE REVIEW IS REQUIRED BY THE CODES AND REGULATIONS OF
THE STATE OF CALIFORNIA AND THE PROJECT SPECIFICATIONS PROVIDED.
THE DESIGNER ASSUMES RESPONSIBILITY FOR THE CORRECTNESS AND COMPLETION
OF THE DRAWINGS AND FOR THE PROVISION OF ALL INFORMATION AND DATA
NECESSARY FOR THE DESIGN AND CONSTRUCTION OF THE PROJECT.
IT IS THE DESIGNER'S RESPONSIBILITY TO OBTAIN ALL NECESSARY PERMITS
AND APPROVALS AND TO ACCEPTED BY ALL APPLICABLE AGENCIES.
DATE: OCT 14 1999



ANDERSON & DOIG
STRUCTURAL ENGINEERS, INC.
OCT 14 1999



102897
REGISTERED BUILDING DESIGNER
STATE OF CALIFORNIA

PC-350
REVISIONS
CHECKED BY: BRS/MS
DATE: 10-14-97
SCALE: AS NOTED
JOB NO.: 97007 PERSCI
SHEET: 522 OF 5

ANDERSON & DOIG
STRUCTURAL ENGINEERS
A CALIFORNIA CORPORATION
2225 RIVERFRONT LANE, STE. 100, SACRAMENTO, CA 95833
TEL: 916-442-7222 FAX: 916-442-7273
E: ANDERSON@AANDOI.COM
WWW.AANDOI.COM

PACESETTER INDUSTRIES, INC.
P.O. BOX 1131, MODESTO, CA 95353 (209) 521-1600
24x40 RELOCATABLE BUILDING
WOOD FOUNDATION PLANS

NO.	DATE	BY	REVISIONS
1	5-13-97	BO	REVISED
2	8-30-97/NO CHANGE	BO	
3	7-29-97	BO	
4	8-21-97	BO	
5	8-31-97	BO	
6	10-11-97	BO	

522
SHEET