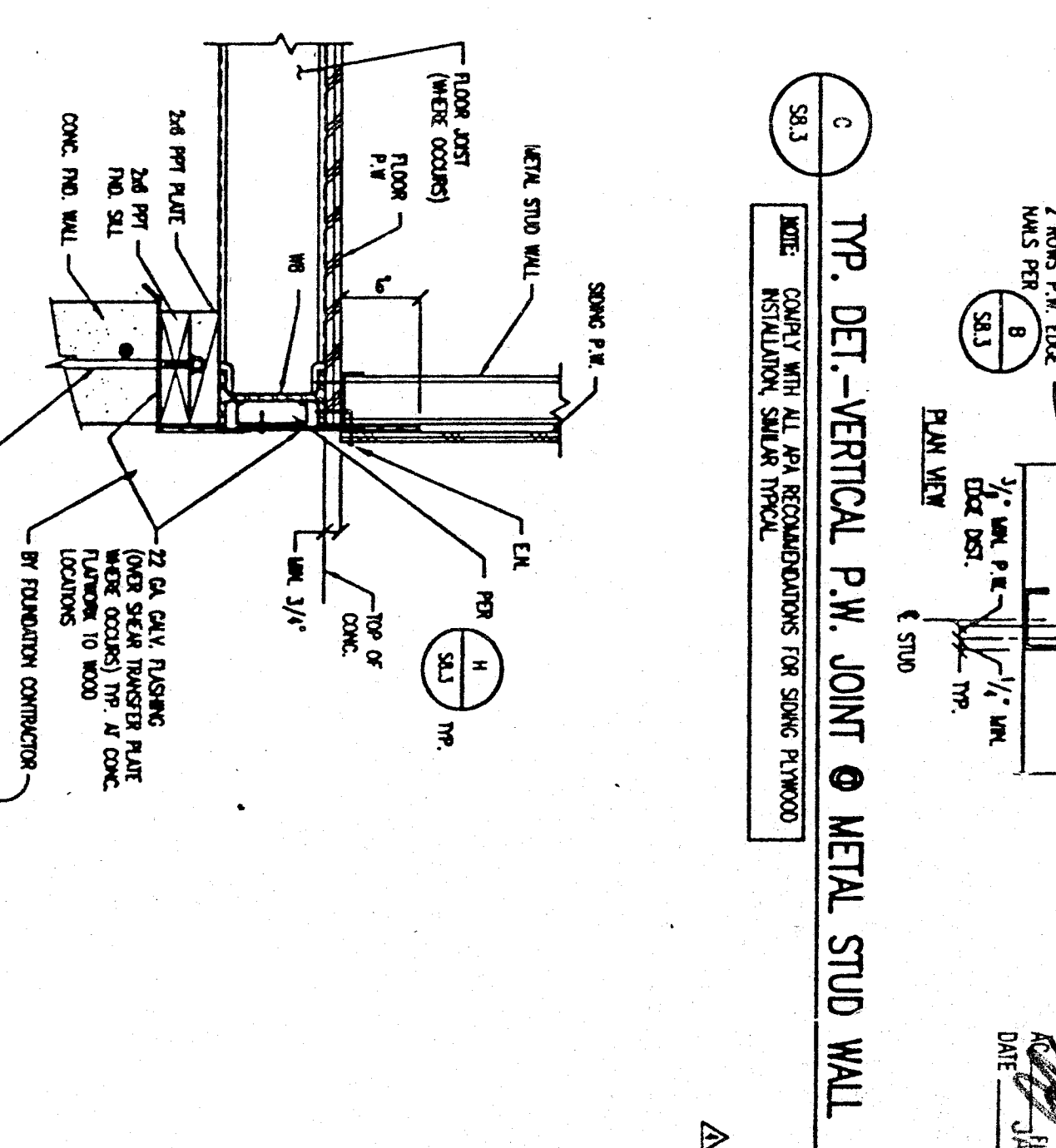
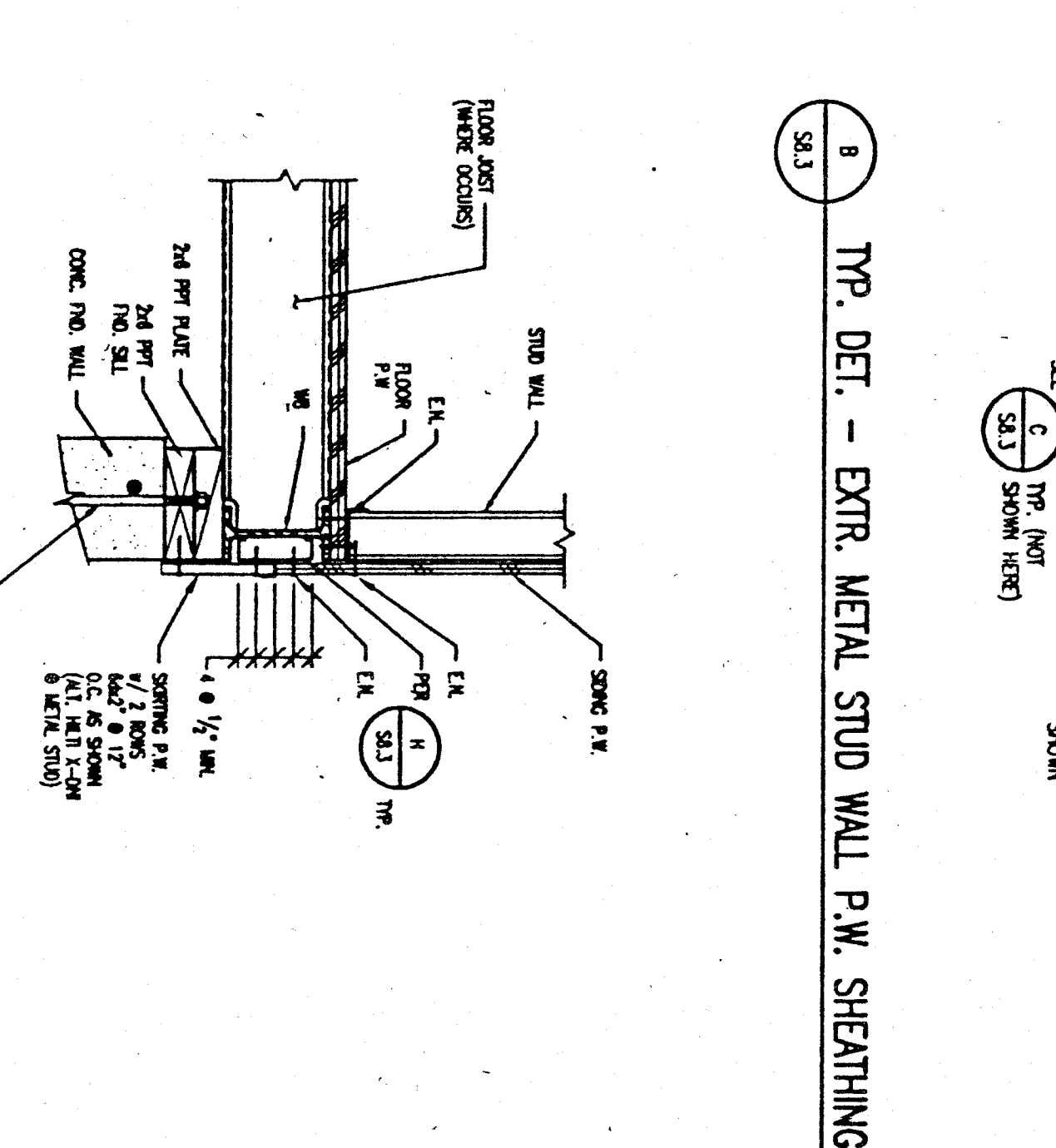
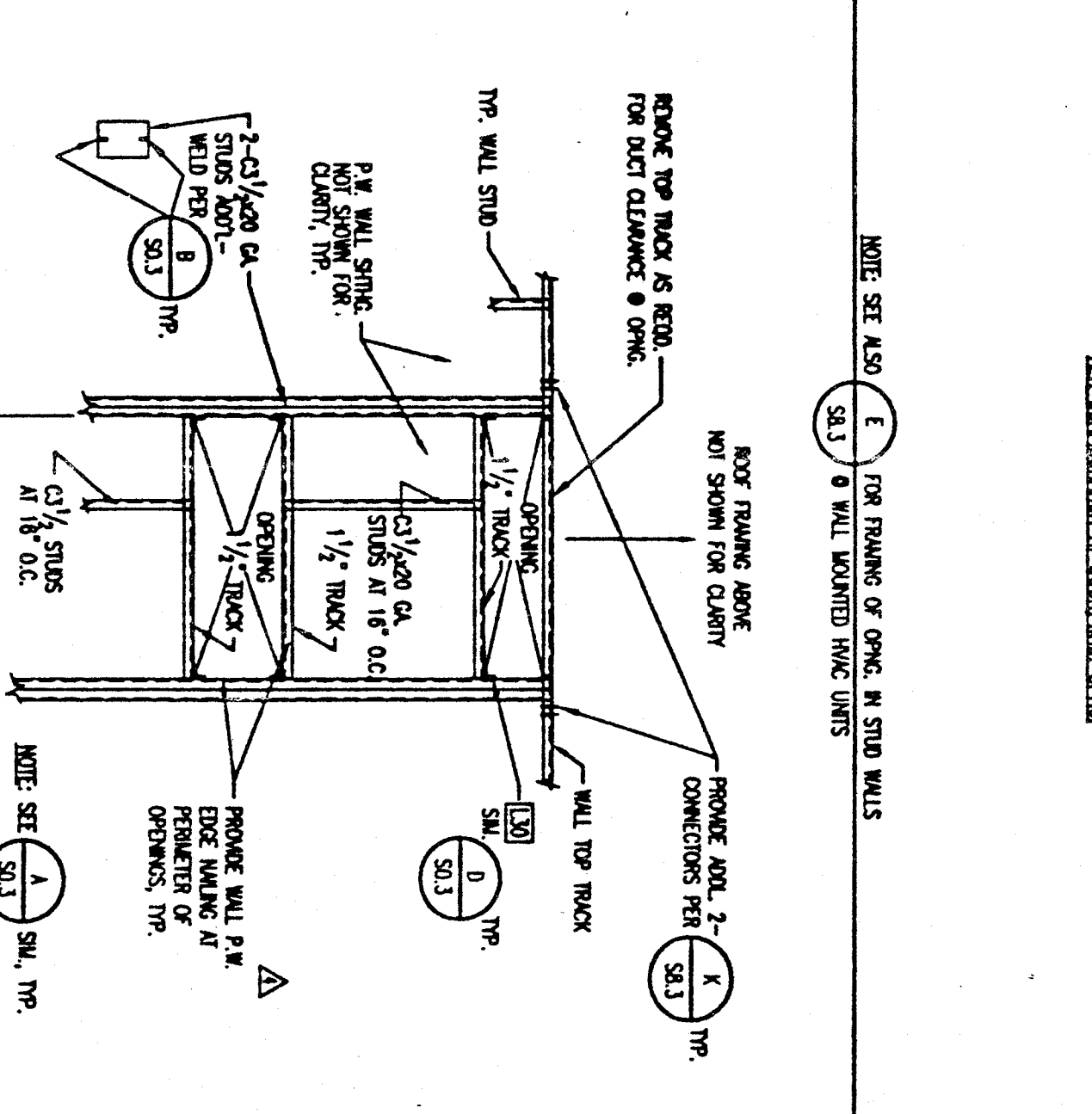
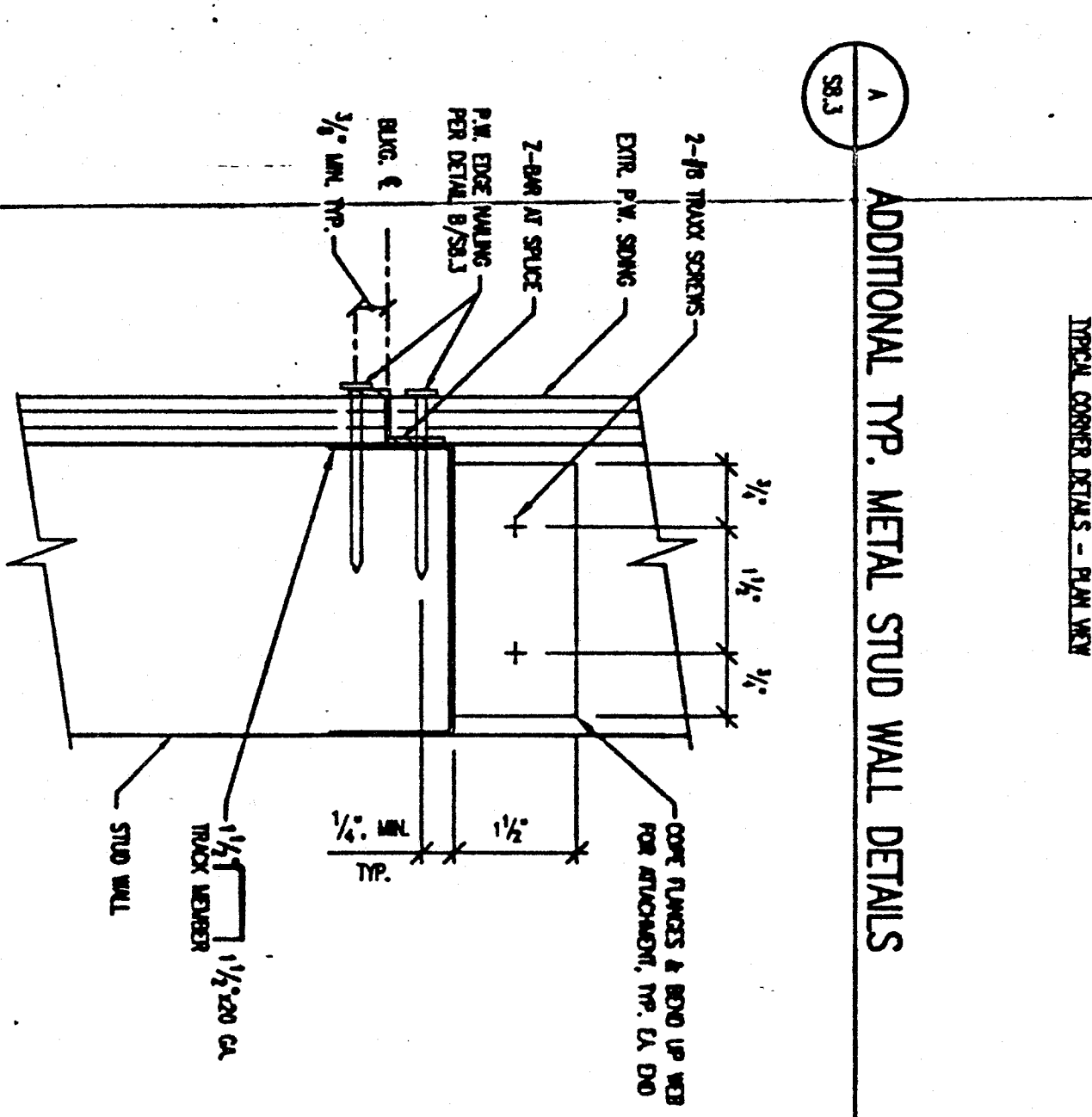
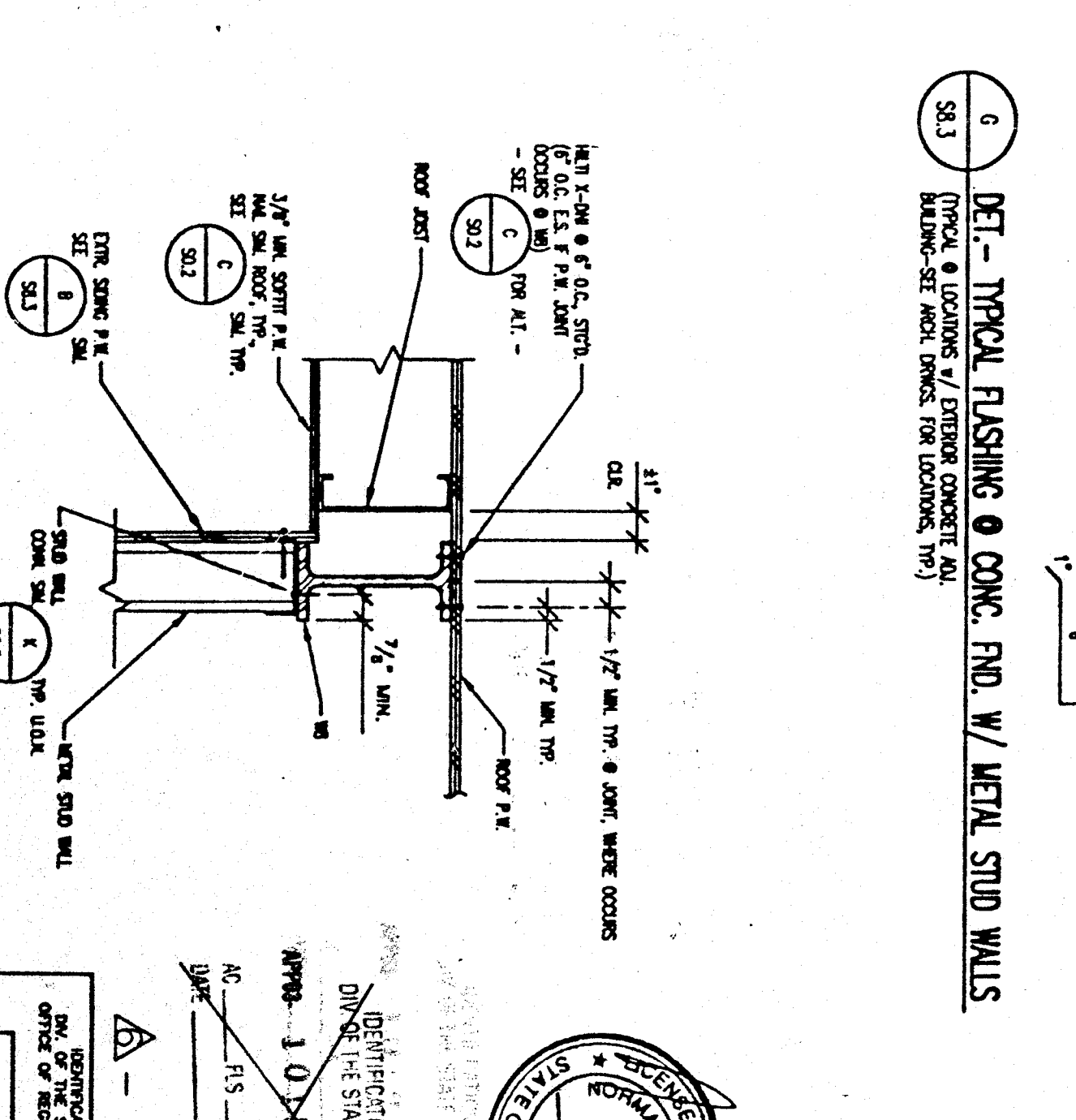
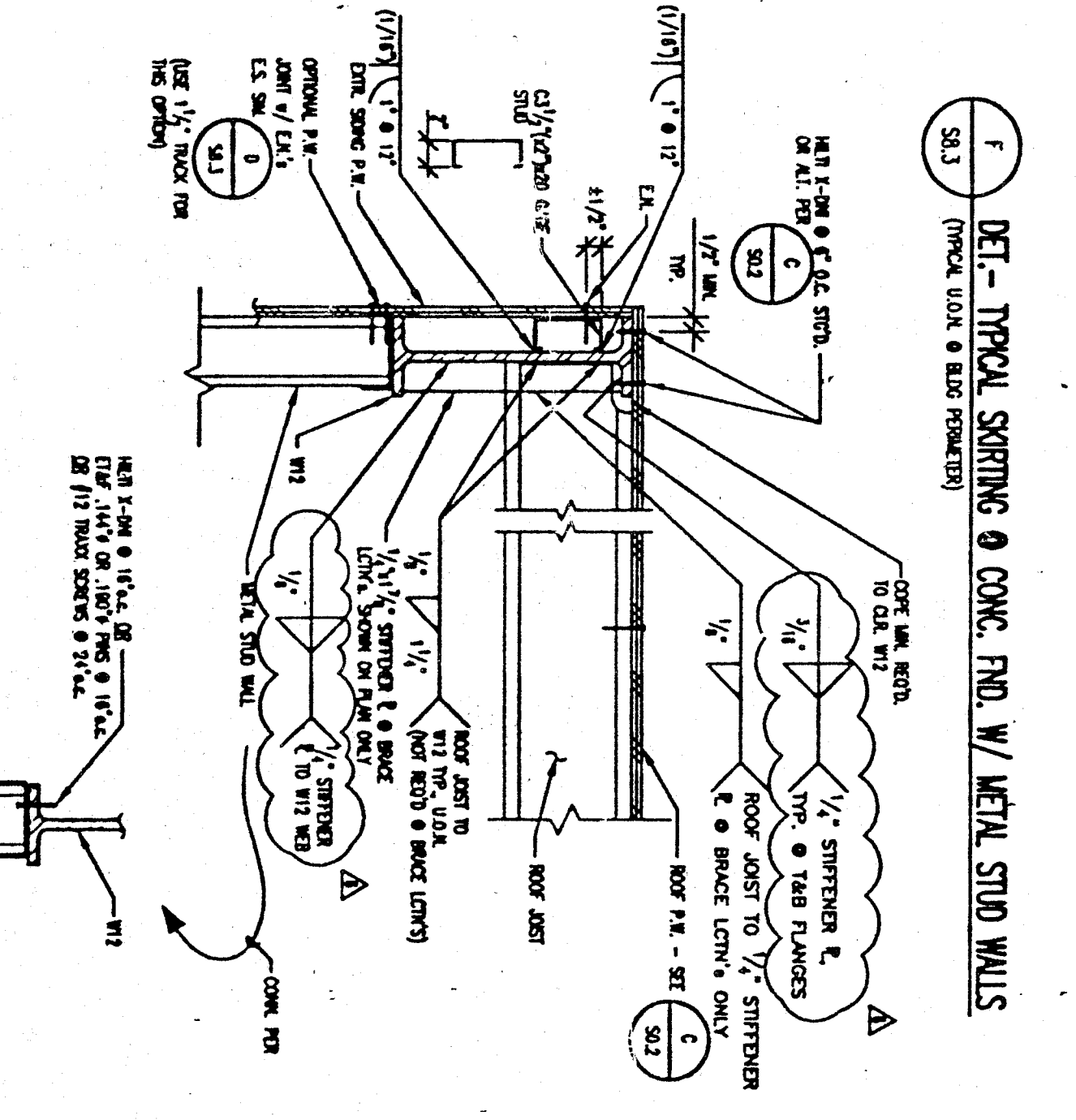
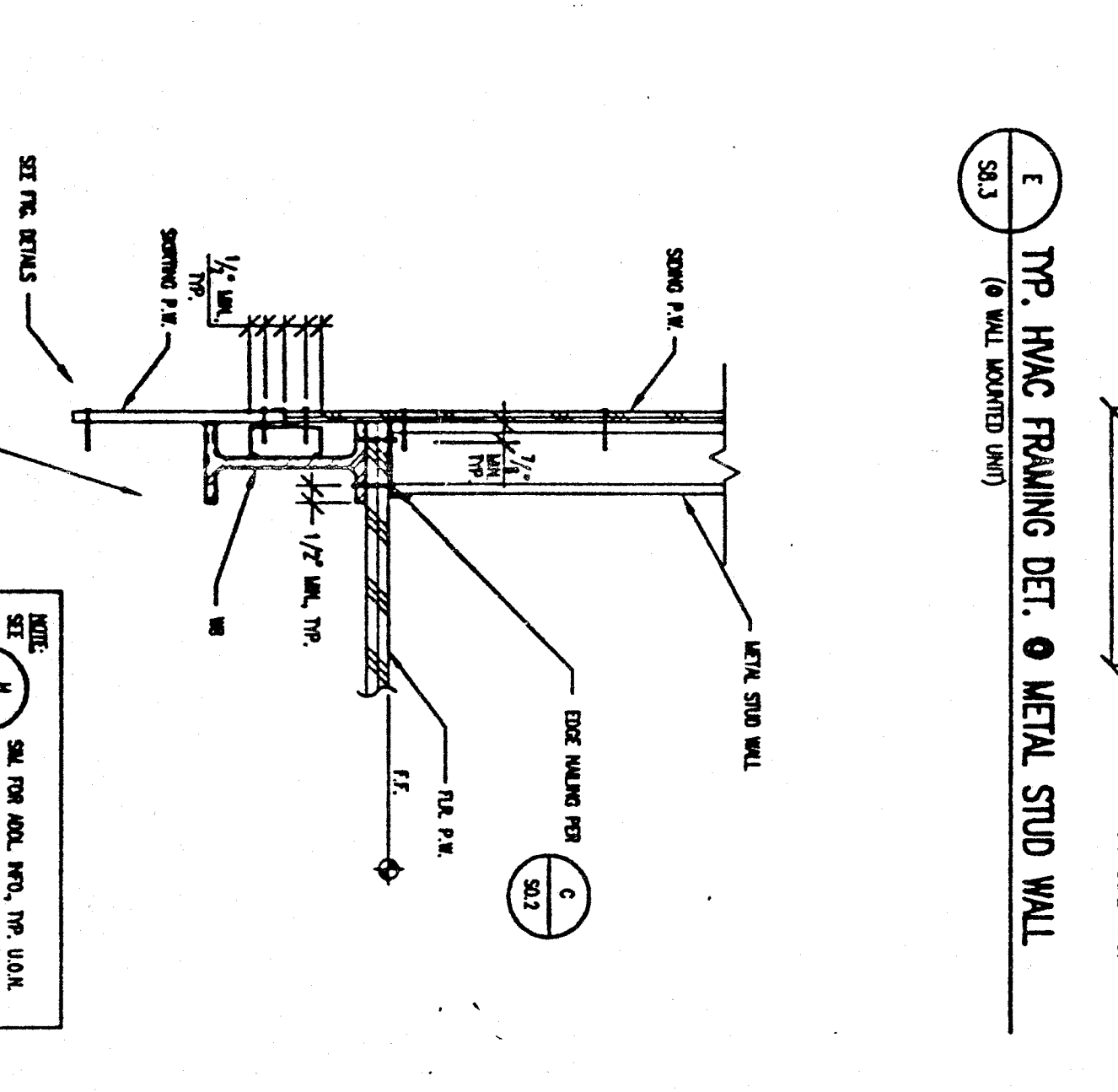
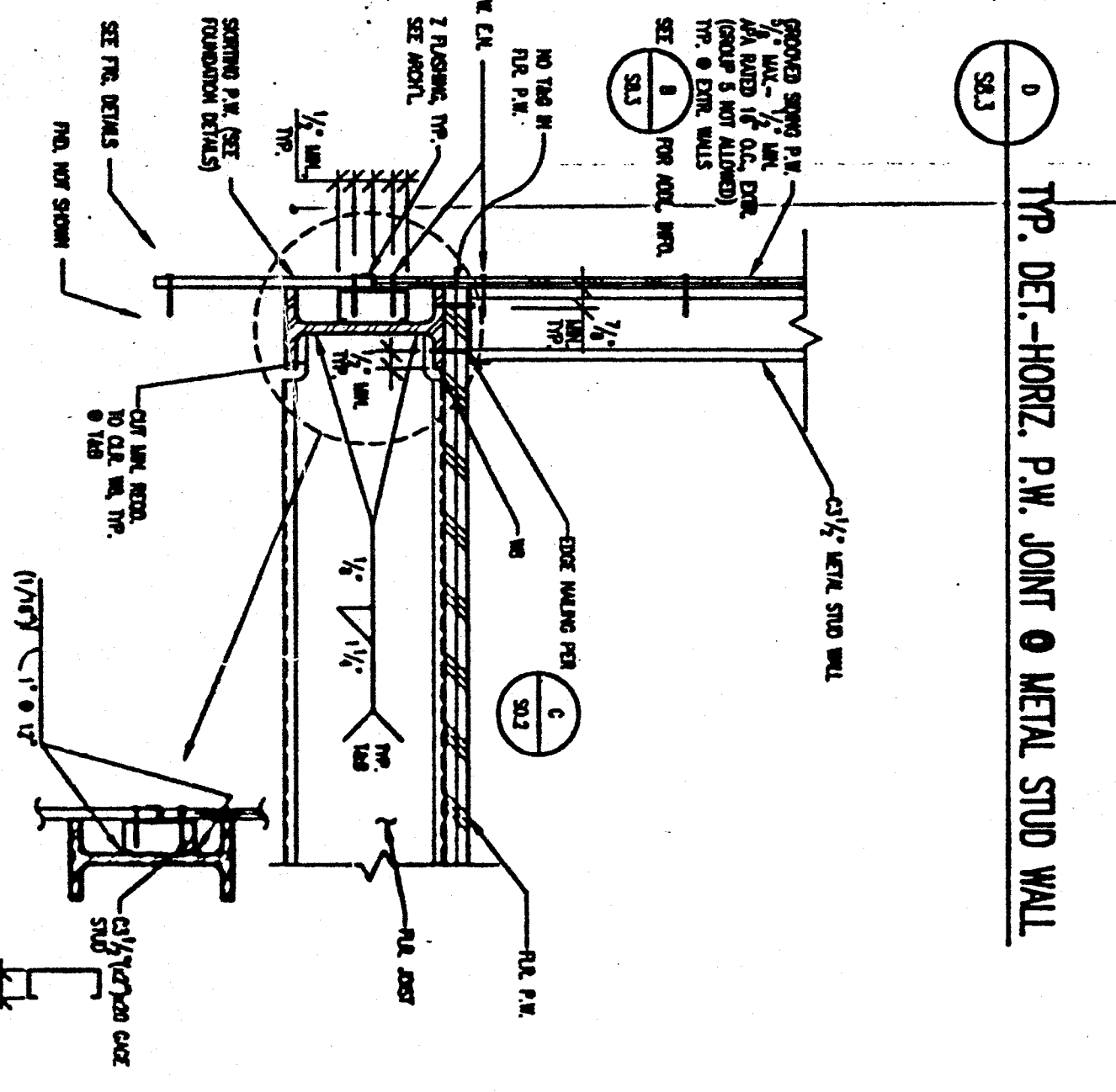


THESE DRAWINGS AND / OR SPECIFICATIONS AND / OR CALCULATIONS FOR THE ITEMS LISTED BELOW HAVE BEEN PREPARED BY OTHER DESIGN PROFESSIONALS WHO ARE LICENSED AND AUTHORIZED TO PREPARE SUCH DRAWINGS IN THIS STATE. THESE DOCUMENTS HAVE BEEN REVIEWED BY ME AND HAVE BEEN FOUND TO MEET THE APPROPRIATE REQUIREMENTS OF THE CALIFORNIA CODE OF REGULATIONS AND THE PRODUCT SPECIFICATIONS PREPARED BY THE MANUFACTURER. I AM NOT PROVIDING ANY GUARANTEE OR WARRANTY FOR THE ITEMS LISTED BELOW ARE ACCEPTABLE FOR INCORPORATION INTO THE CONSTRUCTION OF THE PROJECT. I AM NOT PROVIDING ANY GUARANTEE OR WARRANTY FOR THE ITEMS LISTED BELOW ARE ACCEPTABLE FOR INCORPORATION INTO THE CONSTRUCTION OF THE PROJECT. I AM NOT PROVIDING ANY GUARANTEE OR WARRANTY FOR THE ITEMS LISTED BELOW ARE ACCEPTABLE FOR INCORPORATION INTO THE CONSTRUCTION OF THE PROJECT.

DATE: 02897
 DRAWN BY: J. J. JONES
 CHECKED BY: J. J. JONES



NOTE: SEE S2.5 & S8.4 FOR METAL ROOF PANEL ALTERNATE



REVISIONS

NO.	DATE	BY	DESCRIPTION
1			
2			
3			
4			
5			

DATE: 02897
 DRAWN BY: J. J. JONES
 CHECKED BY: J. J. JONES

PC330

REVISIONS

NO.	DATE	BY	DESCRIPTION
1			
2			
3			
4			
5			

DATE: 02897
 DRAWN BY: J. J. JONES
 CHECKED BY: J. J. JONES

58.3

REGISTERED PROFESSIONAL ENGINEER

ANDERSON & DOIG
 STRUCTURAL ENGINEERS
 A CALIFORNIA CORPORATION
 1808 PLACER LANE, STE 100, SACRAMENTO, CA 95822-2571
 (916) 946-9622

EXPIRES 3-31-00

PACESETTER INDUSTRIES, INC.

P.O. BOX 1131, MODESTO, CA 95353 (209) 521-1600

24x40 RELOCATABLE BUILDING

TYPICAL DETAILS

REVISIONS

NO.	DATE	BY	DESCRIPTION
1			
2			
3			
4			
5			