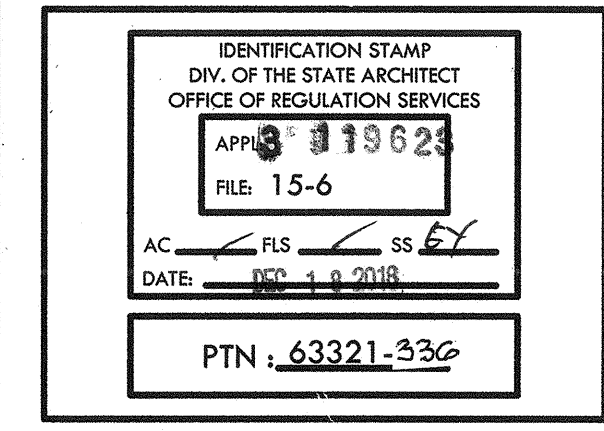
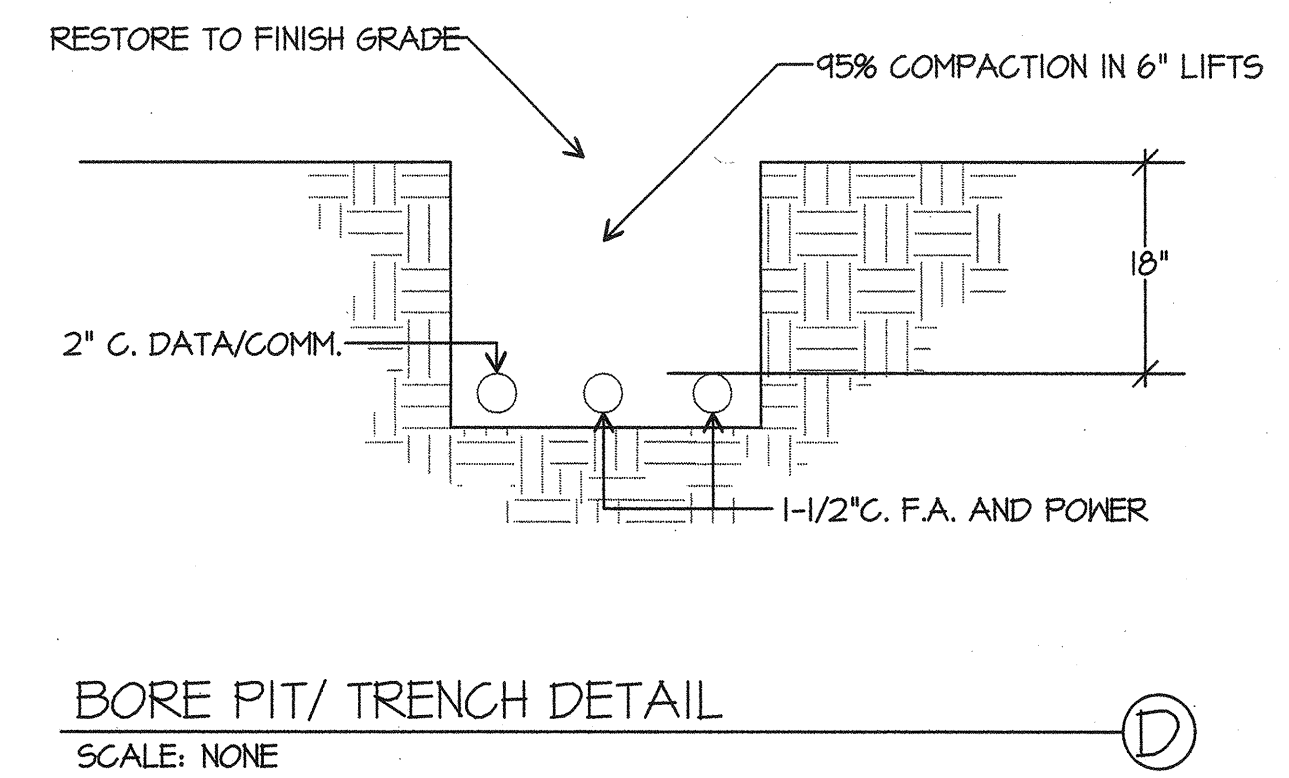
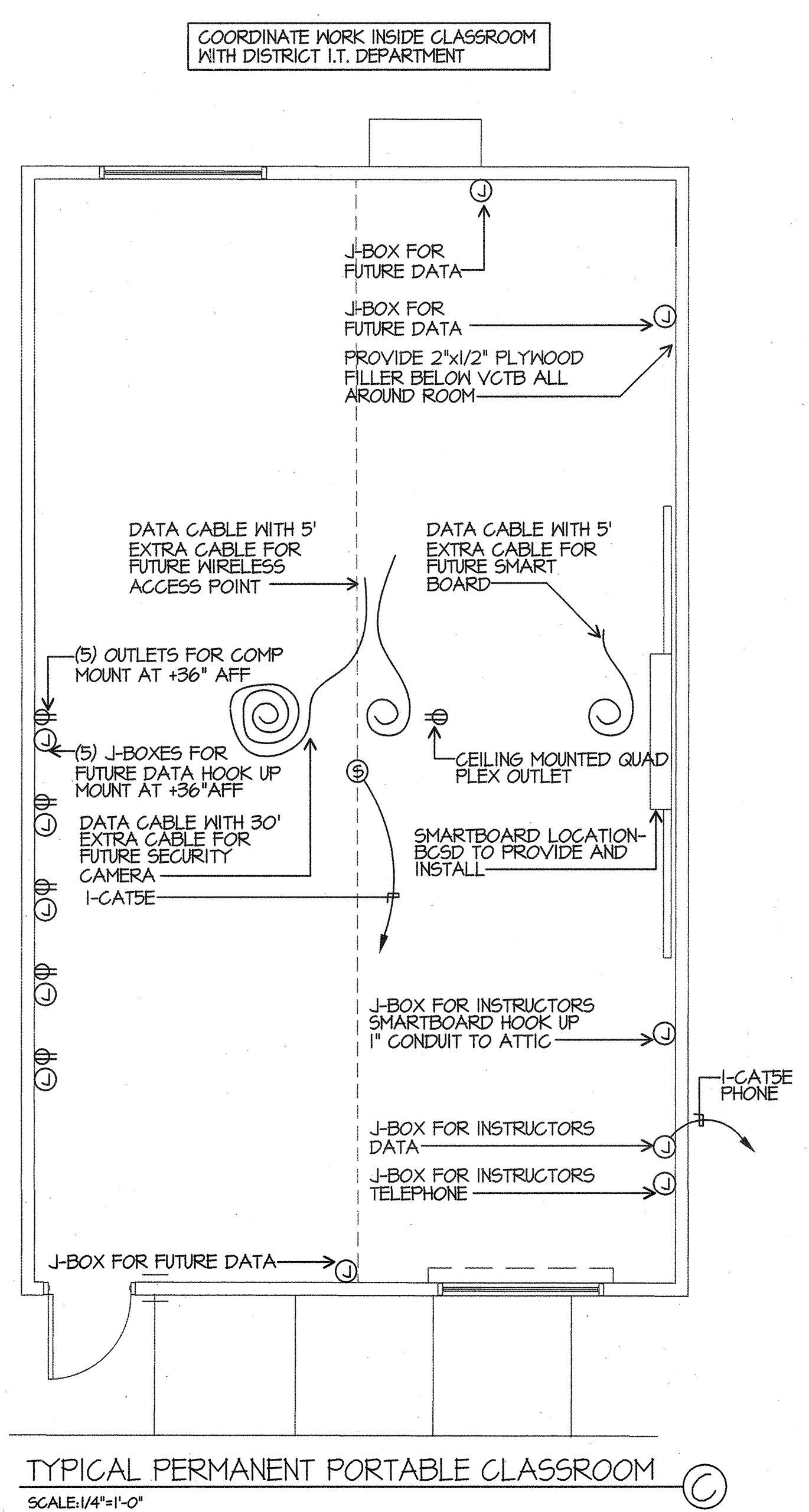
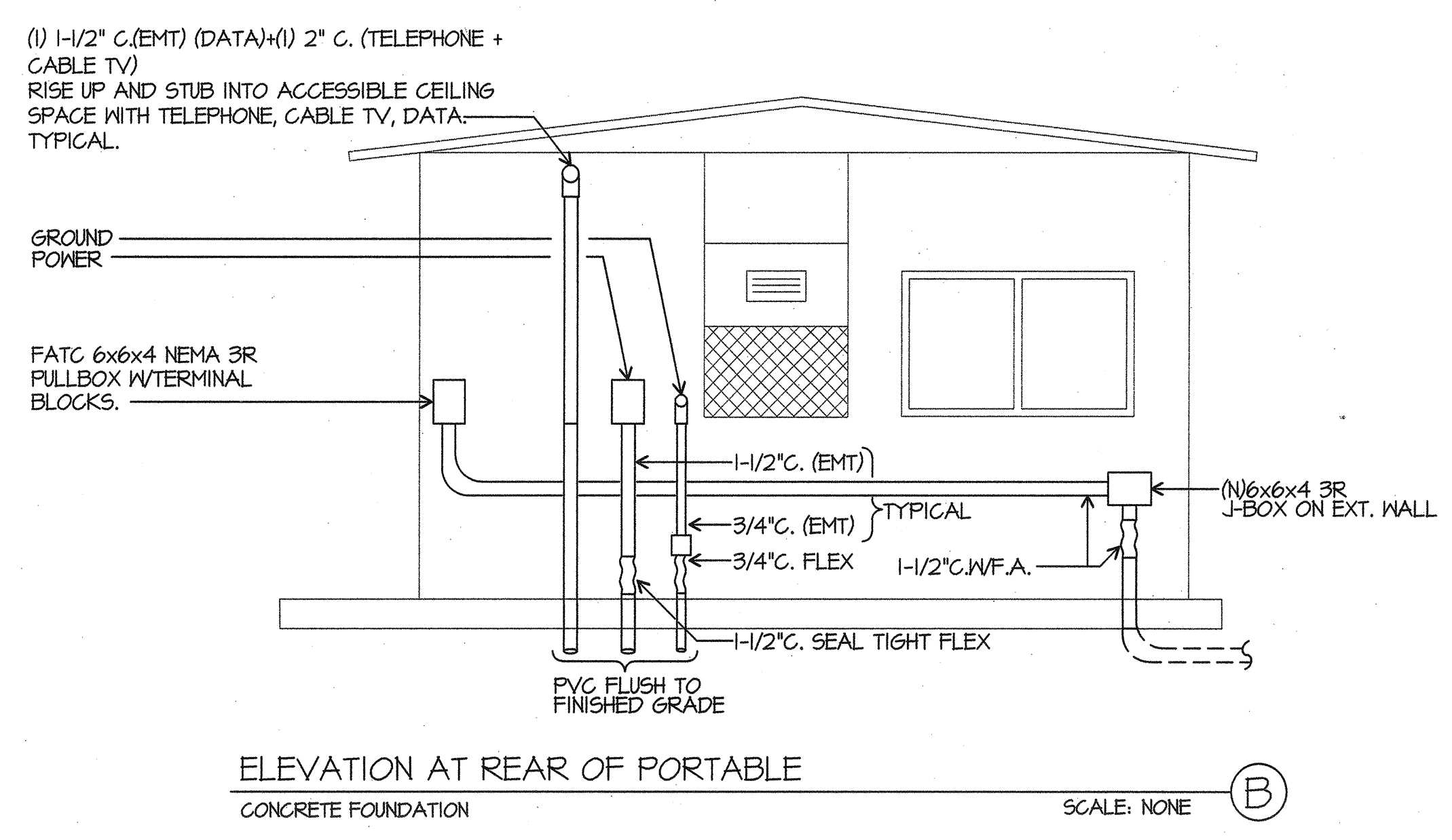
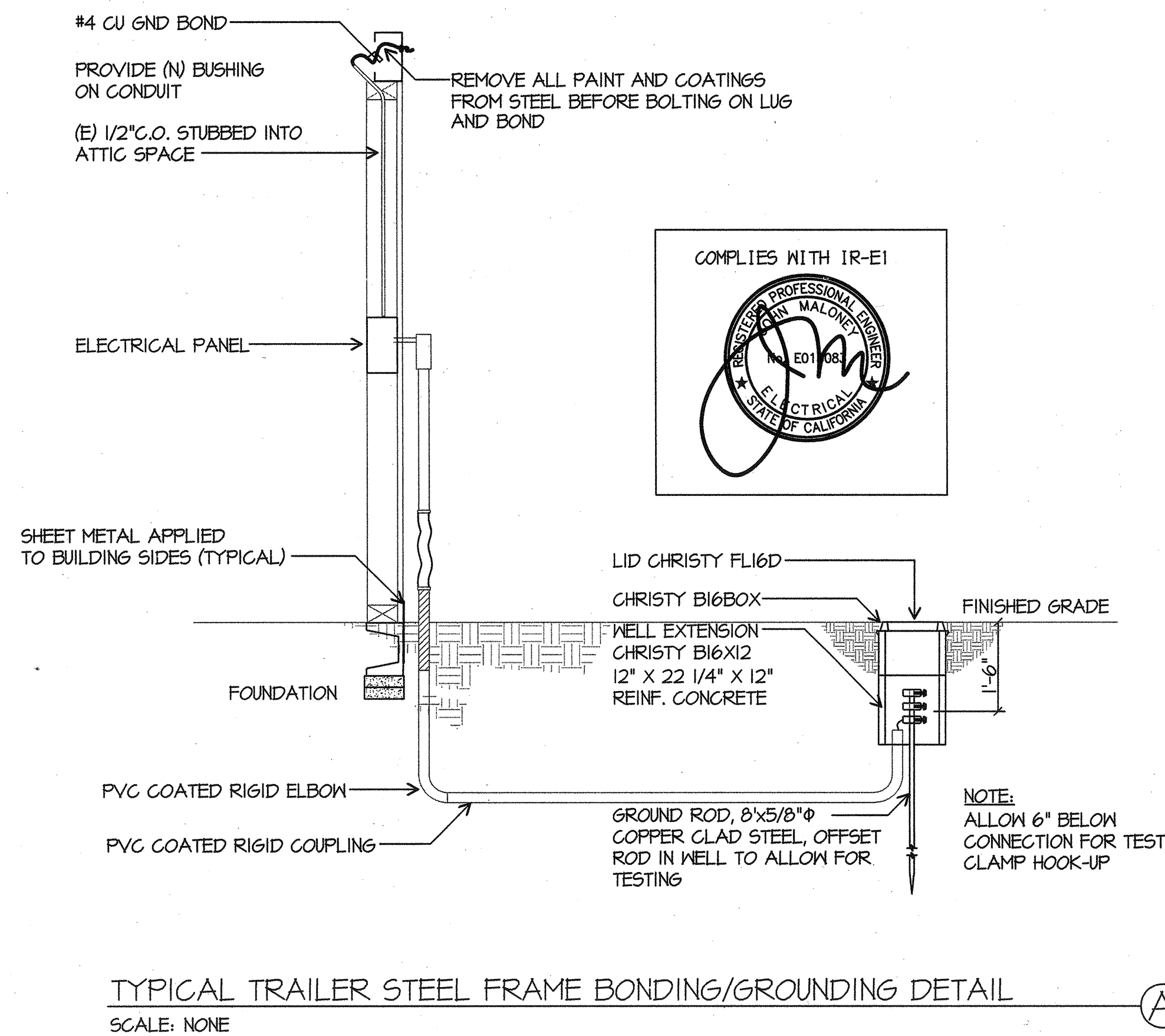


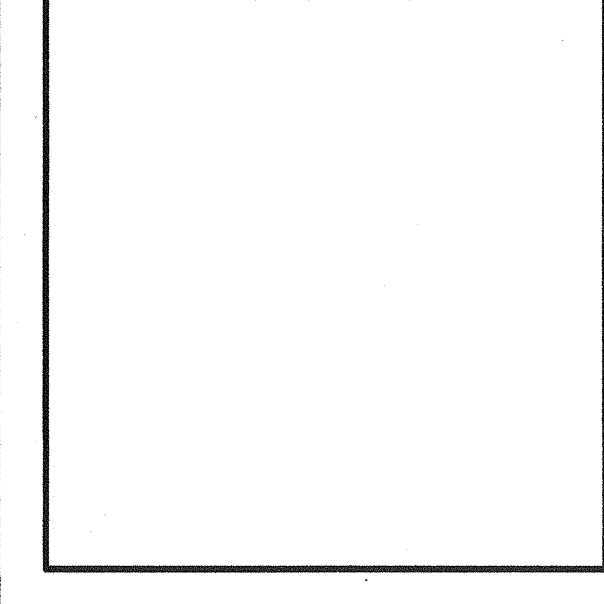
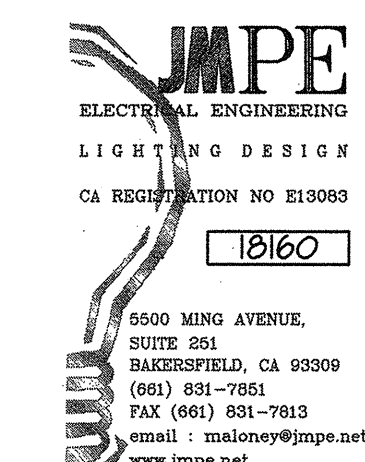
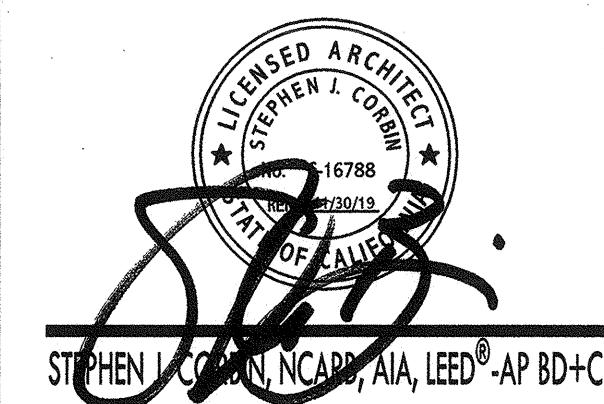
| MARK | DATE | REVISIONS |
|------|------|-----------|
| ▲ | | |
| ▲ | | |
| ▲ | | |

CHECK AND VERIFY ALL DIMENSIONS BEFORE PROCEEDING WITH THE WORK. REPORT DISCREPANCIES TO THE ARCHITECT. ALL CONSTRUCTION SHALL CONFORM TO THE C.B.C.

SITE IMPROVEMENTS FOR (1) - 24'x40' MODULAR BUILDING AT WILLIAMS ELEMENTARY SCHOOL
 1201 WILLIAMS STREET, BAKERSFIELD, CA, 93305
 FOR BAKERSFIELD CITY SCHOOL DISTRICT
 BAKERSFIELD, KERN COUNTY, CALIFORNIA, 93305



1601 NEW STINE ROAD, SUITE 280
 BAKERSFIELD, CA 93309
 PH: (661) 397-4377
 FAX: (661) 397-4378
 WWW.SCARCHITECT.COM



DETAILS

| | | |
|----------|----------|-----------------------|
| JOB NO. | 1257 | E OF SHEETS |
| DRAWN: | AC | |
| CHECKED: | KT | |
| DATE: | 06-29-16 | |
| | | |

E:\2018 DWGS\18160\18160_E-01.dwg - 10/15/2018 11:24:37 AM, Andy