

SKYCON ELECTRIC

5419 Standard Street, Bakersfield, CA 93308

Phone 661-213-4141

Lic# 837258 DIR# 1000004994

Submittals

Fire Alarm

William Penn HVAC Modernization

William Penn Elementary School

FIRE ALARM : Device Submittals

From:

A2Z TECHNOLOGIES, INC.
PO BOX 9309.
Bakersfield, CA 93389
Contractor Lic. C-10 # 814621
Kenneth Jordan Ricks : NICET IV

Submittals for Fire Alarm System:

TABLE OF CONTENTS

- 1. FIRENET L@TITUDE VISION ANNUNCIATOR: FIRE ALARM ANNUNCEATOR PANEL:
Hochiki America
CSFM Listing 7120-0410:0507**
- 2. VOICE EVACUATION SYSTEM: Hochiki America # EVAX-100R
CSFM Listing 6911-0410:0176**
- 3. BATTERY ENCLOSURE: Space Age Electronics #SSU00500
BATTERY ENCLOSURE: Hochiki America #ACC-R
FIRE ALARM DOCUMENT ENCLOSURE: Hochiki America
CSFM Listing 7300-0553-0111
CSFM Listing 7165-0410:0159**
- 4. FN-642-ULADA NAC Power Extender: Hochiki America
CSFM Listing 7315-0410:0166**
- 5. Addressable Multi Detector CO Soke Heat Sensor: Hochiki America #ACD-V
Addressable Analog Low-Frequency Sounder Base- Hochiki America #ASBL7
CSFM Listing 7272-0410:0510
CSFM Listing 7300-0410:0210**
- 6. Addressable Photo Smoke Sensor: Hochiki America #ALO-V
CSFM Listing 7272-0410:0510**
- 7. Addressable Heat Sensor: Hochiki America #ATJ-EA
CSFM Listing 7270-0410:0203**
- 8. Base for Addressable Smoke & Heat Sensors: Hochiki America #NSA-67
CSFM Listing 7300-0410:0132**
- 9. Class A Supervised Output Module: Hochiki America # DCP-SOM-A
Dual Monitor Module: Hochiki America #DCP-R2ML
CSFM Listing 7300-0410:0150**
- 10. Fire Alarm Speaker/Strobe: Hochiki/Gentex # GSSPR
CSFM Listing 7320-0569:0511**
- 11. Fire Alarm Strobe: Hochiki/Gentex #GSPR
CSFM Listing 7300-0569:0510**
- 12. Fire Alarm Speaker Wall Mounted: Hochiki/Gentex #GWSPKR
CSFM Listing 7320-0569:0511**

CONTINUED ON THE NEXT PAGE

13. Windy City Wire Manufacturers Data Sheets

FPL- RED 1 PAIR #16 SOLID CONDUCTOR NON SHIELDED CABLE #728100

DIRECT BURIAL FIRE ALARM CABLE - 1 PAIR #16 NON SHIELDED CABLE #728110VNQ

FPL- RED 1 PAIR #12 SOLID CONDUCTOR CABLE #723100

DIRECT BURIAL FIRE ALARM CABLE - 1 PAIR #12 NON SHIELDED CABLE #723110VNQ

FPL- WHITE 1 PAIR #14 STRANDED CONDUCTOR CABLE # 007920

DIRECT BURIAL FIRE ALARM CABLE - 1 PAIR #14 STRANDED CABLE #712110VNQ

CSFM Listing 7161-1727:0100

L@TITUDE NETWORK VISION ANNUNCIATOR



STANDARD FEATURES

- Full-color 7" (800 x 480 pixel) interface
- Replicates information displayed at the FACP
- Automatic display brightness adjustment
- Internal buzzer
- Connects via control panel network terminals
- Low current, 24V DC powered
- Configurable functionality
- Enable key-switch
- Sheet steel enclosure
- Surface or semi-flush enclosure options available

TECHNICAL SPECIFICATIONS

Supply Voltage Range	21-30V DC
Quiescent Current during Power Failure	216mA typical (buzzer off @ 24V DC) 246mA typical (buzzer on @ 24V DC) 341mA max (buzzer on @ 21V DC)
Maximum Number of Units on a Network	64 Annunciators including one L@titude Panel
Size	9.25" x 6.7" x 2.2" (235mm x 170mm x 55mm)
Display	Full color 800 x 480 LCD with resistive touch screen and automatic back-light dimming
Construction	18 SWG, 1.2mm mild sheet steel
Cable Entry	2 x 20 mm knockouts on top & bottom 4 x 20 mm and 2 x 28 mm knock outs in back
Vision Annunciator Electronics Only	S787
Finish	Epoxy powder coated
Color	Enclosure ● Red (RAL3002) ● Gray (BS 00 A 05) ● Black (RAL9005)
	Fascia ○ Signal White (RAL9003)
Optional Semi-Flush Mounting Collar Kit	KM1098RD - Red KM1098GY - Gray KM1098BS - Black
Weight	4.4 lbs (2 kg) maximum
IP Rating	IP 30

DESCRIPTION

The L@titude Network Vision Annunciator is the most qualified annunciator on the market. It is a full-color graphical display and touchscreen. It represents the most versatile annunciator for life safety systems available today. The Annunciator is a full-function fire alarm repeater that is configurable and application flexible for use in applications such as hospital nursing stations and elevator alarms.

L@titude Network Vision Annunciators can be configured to fully replicate fire control panel functionality, or to operate as simple, display-only devices for applications where access to fire alarm controls are inappropriate.

PRODUCT LISTINGS



California State
Fire Marshal
7120-0410:0507

Manufactured by Kentec Electronics Ltd.
Dartford, DA11JQ, United Kingdom

Specifications subject to change without notice.

Hochiki America Corporation
7051 Village Drive, Suite 100, Buena Park, CA 90621-2268
Phone: 714-522-2246 Fax: 714-522-2268
Technical Support: 800-845-6692 or technicalsupport@hochiki.com



Find latest revision at www.hochiki.com



**CALIFORNIA DEPARTMENT OF FORESTRY & FIRE
PROTECTION
OFFICE OF THE STATE FIRE MARSHAL
FIRE ENGINEERING & INVESTIGATIONS DIVISION
BUILDING MATERIALS LISTING PROGRAM**

LISTING SERVICE

LISTING No.:	7120-0410:0507
PARENT LISTING No.:	7120-2298:0503
CATEGORY:	7120 - ANNUNCIATORS
LISTEE:	Hochiki America Corporation 7051 Village Drive, Ste. 100, Buena Park, CA, 90621 Contact: Hem, Ravi (800) 403-7029 Email: rhem@hochiki.com
DESIGN:	Model LFC00NC10, LFC00NC40, LFC00NC60, LFC10NC10, LFC10NC40, LFC10NC60, LFC20NC10, LFC20NC40, LFC20NC60, LFC30NC10, LFC30NC40, LFC30NC60 FireNET Vision Network Annunciator. Connects to the control panel(s) via the network interface. *Refer to listee's data sheet for additional detailed product description and operational considerations.
RATING:	24 VDC
INSTALLATION:	In accordance with listee's printed installation instructions, applicable codes & ordinances and in a manner acceptable to the authority having jurisdiction.
MARKING:	Listee's name, model number, rating, and UL label.
APPROVAL:	Listed as annunciator panel for use with listee's separately listed compatible Model FireNET L@titude fire alarm control unit (CSFM Listing No. 7165-0410:0506). Refer to listee's Installation Instruction Manual for details.
NOTES:	

10-1-2019 dcc



This listing is based upon technical data submitted by the applicant. OSFM Fire Engineering staff has reviewed the test results and/or other data but does not make an independent verification of any claims. This listing is not an endorsement or recommendation of the item listed. This listing should not be used to verify correct operational requirements or installation criteria. Refer to listee's data sheet, installation instructions and/or other suitable information sources.

Date Issued: 07/21/2025

Listing Expires: 06/30/2026



**CALIFORNIA DEPARTMENT OF FORESTRY & FIRE
PROTECTION
OFFICE OF THE STATE FIRE MARSHAL
FIRE ENGINEERING & INVESTIGATIONS DIVISION
BUILDING MATERIALS LISTING PROGRAM**

LISTING SERVICE

Authorized By: **Michael Huang** , Program Coordinator
Fire Engineering & Investigations Division

EVAX - 100 Voice Evacuation System



DESCRIPTION

The EVAX 100 operates with any Fire Alarm Control Panel (FACP), and provides 100 Watts of speaker power.

The EVAX 100 includes all necessary features to provide an effective voice evacuation system. With the addition of zone splitters, remote microphone panels, and expander modules, the EVAX 100 can be custom configured to satisfy the needs of most applications.

The EVAX 100 has its own power supply and battery charger. Panel must be wired with 120 VAC and standby batteries connected.

A digital message repeater (DMR) is built into the EVAX 100. The selection of alarm tone and automatic message repeats, as well as the 6 Hour delay of the AC power failure reporting feature are all field configurable.

The paging microphone is an integral component. Removal of the microphone from the panel will cause a "Trouble" condition which will be reported locally, as well as through the FACP.

The EVAX 100 is housed in an attractive surface or semi-flush mounted backbox, with a hinged and key locked door.



STANDARD FEATURES

- Clean dead-front construction
- Digitally recorded automatic voice evacuation (up to 4 minutes of message capacity)
- 100 Watt high efficiency digital amplifier
- 25 or 70 VRMS field selectable
- 120 VAC power supply and battery charger
- Live microphone override of message and tone
- Analog addressable compatible
- High reliability, no maintenance, fully supervised
- Easy installation and operation
- Natural voice sound recordings
- Built-in alarm and alert signals
- Up to 4 minute message capacity
- Works with 12VDC or 24VDC fire alarm panels
- Works with analog/addressable and microprocessor based fire alarm panels
- 3 minute message restart on microphone key
- 24 hour backup with two 12V 7 AHr batteries
- Made in the USA

SPECIFICATIONS

Primary Power	120VAC @ 2A
24 VDC Battery Power;	
Standby	0.180A
Alarm	2.5A
Output	100 Watts @ 25/70 VRMS tone and voice
Backbox Dimensions	14.5"W x 18"H x 4"D
Color	Red/Charcoal Grey

PRODUCT LISTINGS

SIGNALING			California State Fire Marshal 6911-0410:176
------------------	---	---	--

Continued on back.

Specifications subject to change without notice

Hochiki America Corporation

7051 Village Drive, Suite 100 Buena Park, CA 90621-2268
Phone: 714/522-2246 Fax: 714/522-2268
Technical Support: 800/845-6692 or technicalsupport@hochiki.com



Find latest revision at www.hochiki.com



F0090 03/2014

ENGINEERING SPECIFICATIONS

The voice evacuation system shall be EVAX Systems Series EVAX 100 or approved equal.

The voice evacuation system shall provide 100 watts signal power and 100 watts voice power, and shall be UL listed. All speaker circuits shall be field selectable for 25 or 70 Vrms operation and shall be power limited.

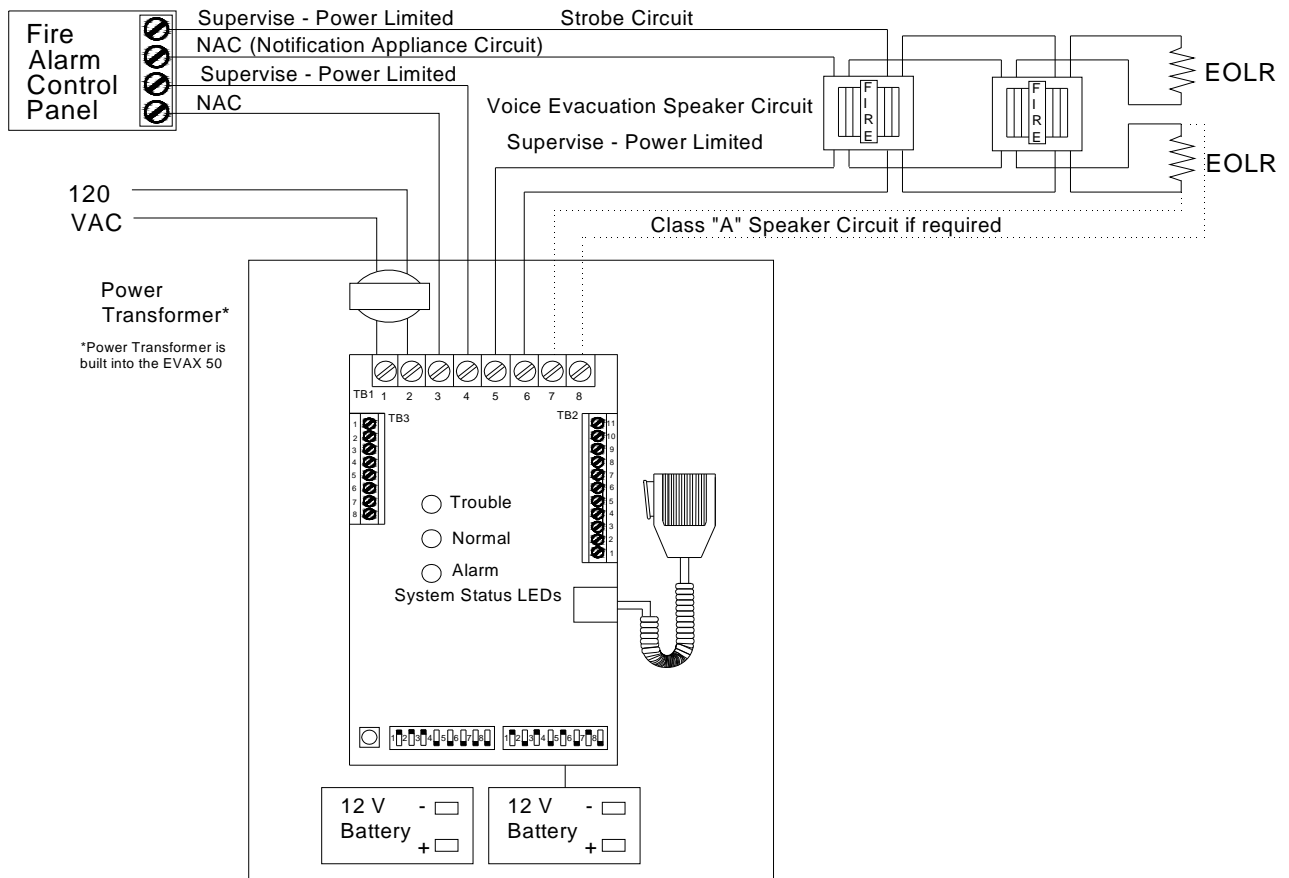
The voice evacuation system shall be micro-processor based, and shall contain an integral microphone, 100 Watt audio amplifier, tone generator, digital message repeater, 120VAC power supply and battery charger.

The voice evacuation message/signal shall be broadcast until the Fire Alarm Control Panel (FACP) is reset, or until fire emergency personnel interrupt the broadcast with a manual page. On reset system shall automatically return to standby (normal operating) condition.

A secondary message shall be provided which can be triggered by the closure of a contact from either the FACP or from any normally open contact device.

Remote paging microphone (s) will be supported by the system through a supervised circuit. Remote microphone (s) can be mounted up to 5000 feet away from the voice evacuation panel.

WIRING DIAGRAMS



ORDERING INFORMATION

Model Number	Description
EVAX 100	100W Voice Evacuation System, with power supply/battery charger, paging microphone and digital message repeater
EVAX 100/4Z	100W Voice Evacuation System, with 4 speaker zones
EVAX 100/8Z	100W Voice Evacuation System, with 8 speaker zones
EVAX 100/12Z	100W Voice Evacuation System, with 12 speaker zones, in a large cabinet 14.5"w x 27h" x 4"d
EVAX 100/16Z	100W Voice Evacuation System, with 16 speaker zones, in a large cabinet 14.5"w x 27h" x 4"d



**CALIFORNIA DEPARTMENT OF FORESTRY & FIRE
PROTECTION
OFFICE OF THE STATE FIRE MARSHAL
FIRE ENGINEERING & INVESTIGATIONS DIVISION
BUILDING MATERIALS LISTING PROGRAM**

LISTING SERVICE

LISTING No.:	6911-0410:0176
PARENT LISTING No.:	6912-1446:0100
CATEGORY:	6912 - VOICE COMMUNICATION ACCESSORIES
LISTEE:	Hochiki America Corporation 7051 Village Drive, Ste. 100, Buena Park, CA, 90621 Contact: Hem, Ravi (800) 403-7029 Email: rhem@hochiki.com
DESIGN:	Models EVAX 25, -25E, -50, -50E, -100, -100E, -150, -150E, -200, -200E audio adjunct system. These units are intended to be used in conjunction with a listed electrically compatible fire alarm control unit to provide voice communication, paging, evacuation tone signals, and voice alarm signals with voice override. Refer to listee's data sheet for detailed product description and operational considerations.
RATING:	Input: 24-32 VAC/DC, Standby: 24 VDC, 7 Ah Battery
INSTALLATION:	In accordance with listee's printed installation instructions, wiring diagram, applicable codes and ordinances and in a manner which is acceptable to the authority having jurisdiction.
MARKING:	Listee's name, model number, electrical rating, and UL label.
APPROVAL:	Listed as a voice/tone communication/evacuation/relocation/audio adjunct system for use with separately listed electrically compatible fire alarm speakers and control units. Supervision is dependent upon the fire alarm control panel. Refer to the control panel's listing and installation instructions for proper configurations. Suitable for high rise applications when used in conjunction with separately listed fire alarm control units. Refer to listee's Installation Instruction Manual for details.
NOTES:	

8-28-2008 bh



This listing is based upon technical data submitted by the applicant. OSFM Fire Engineering staff has reviewed the test results and/or other data but does not make an independent verification of any claims. This listing is not an endorsement or recommendation of the item listed. This listing should not be used to verify correct operational requirements or installation criteria. Refer to listee's data sheet, installation instructions and/or other suitable information sources.



**CALIFORNIA DEPARTMENT OF FORESTRY & FIRE
PROTECTION
OFFICE OF THE STATE FIRE MARSHAL
FIRE ENGINEERING & INVESTIGATIONS DIVISION
BUILDING MATERIALS LISTING PROGRAM**

LISTING SERVICE

Date Issued: 07/21/2025

Listing Expires: 06/30/2026

Authorized By: **Michael Huang** , Program Coordinator
Fire Engineering & Investigations Division

ACERBOX

BY SPACE AGE ELECTRONICS



BCA Battery Cabinets

When your professional installation requires battery backup storage compliant with NFPA 72 (1-5.2.9), the BCA is your ideal solution.

With the ability to be securely wall mounted, these cabinets allow easy access to your batteries for quick maintenance while reducing the risk of unnecessary power drain, interference or degeneration.



FEATURES

- 16 gauge cold rolled steel construction
- Two sizes available in red or black finish
- Formed lift-away hinge
- CAT 30 keyed door lock (custom locks available)
- Four 0.5" and 0.75" EMT conduit knockouts
- Vented sides to reduce corrosion
- Wall mounting holes



SPECIFICATIONS

The BCA Battery Cabinet is constructed of 16 gauge cold rolled steel and finished with a complete interior and exterior durable red or black powder coat. The front cover features a CAT 30 keyed door lock and lift-away hinge. Overall dimensions measure 22" wide by 10" high by 8.5" deep or 30" wide by 10" high by 8.5" deep or. Four 0.5" and 0.75" EMT conduit knockouts are included on the top and sides of the enclosure. The battery cabinet meets NFPA 72 (1-5.2.9) and National Electric Code requirements. Batteries not included.

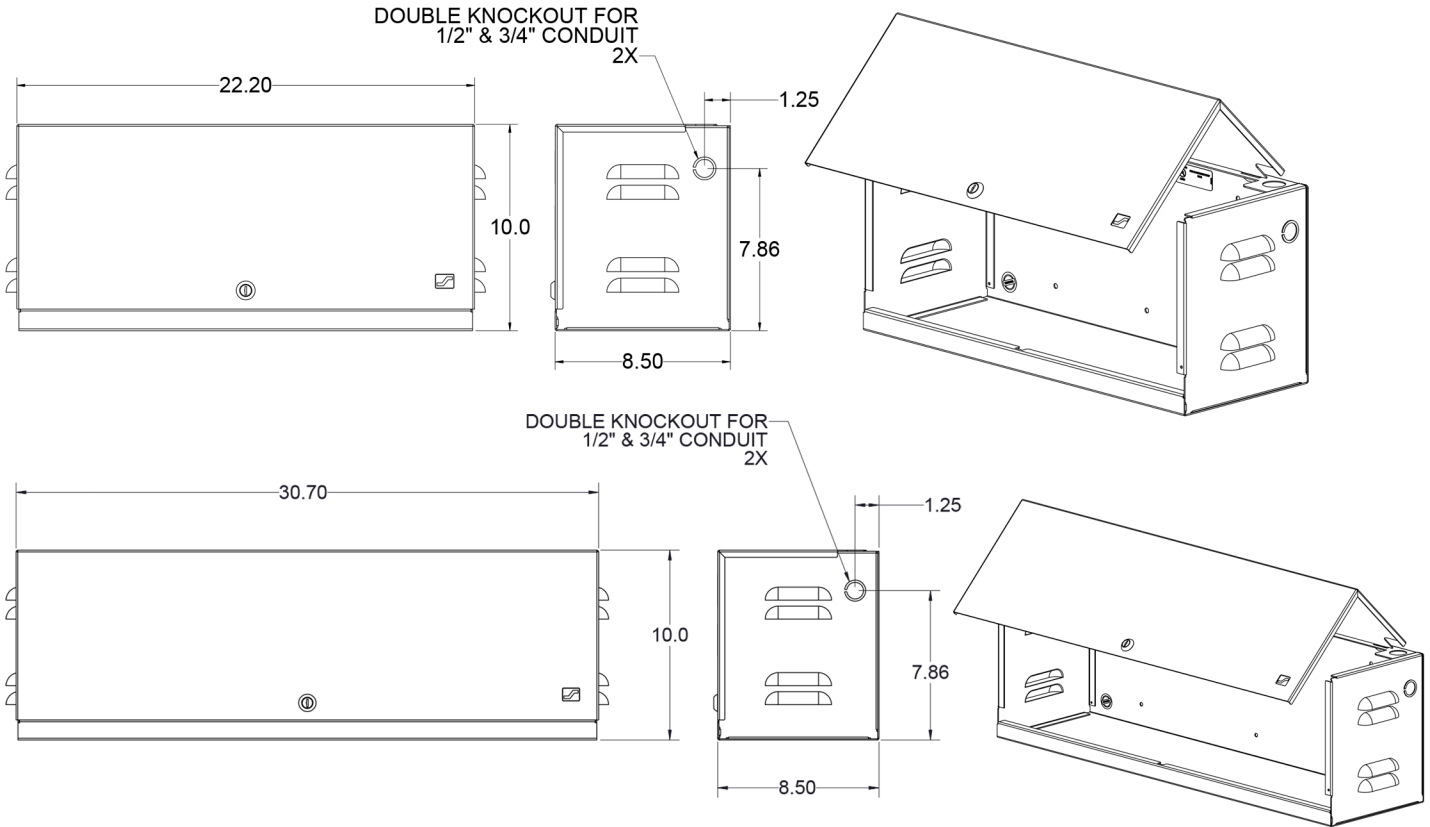
AGENCY APPROVALS

UOXX.S2580 UL Listed Control Unit Accessories

CUSTOM BRANDING AVAILABLE



DIMENSIONS



ORDERING INFORMATION

P/N#	Size	Finish	Custom Branding
SSU00500	22" x 10" x 8.5"	Red	No
SSU00500C	22" x 10" x 8.5"	Red	Yes
SSU00501	22" x 10" x 8.5"	Black	No
SSU00501C	22" x 10" x 8.5"	Black	Yes
SSU00507	30" x 10" x 8.5"	Red	No
SSU00507C	30" x 10" x 8.5"	Red	Yes
SSU00508	30" x 10" x 8.5"	Black	No
SSU00508C	30" x 10" x 8.5"	Black	Yes

FN-ACC-R / -G - BATTERY ENCLOSURE



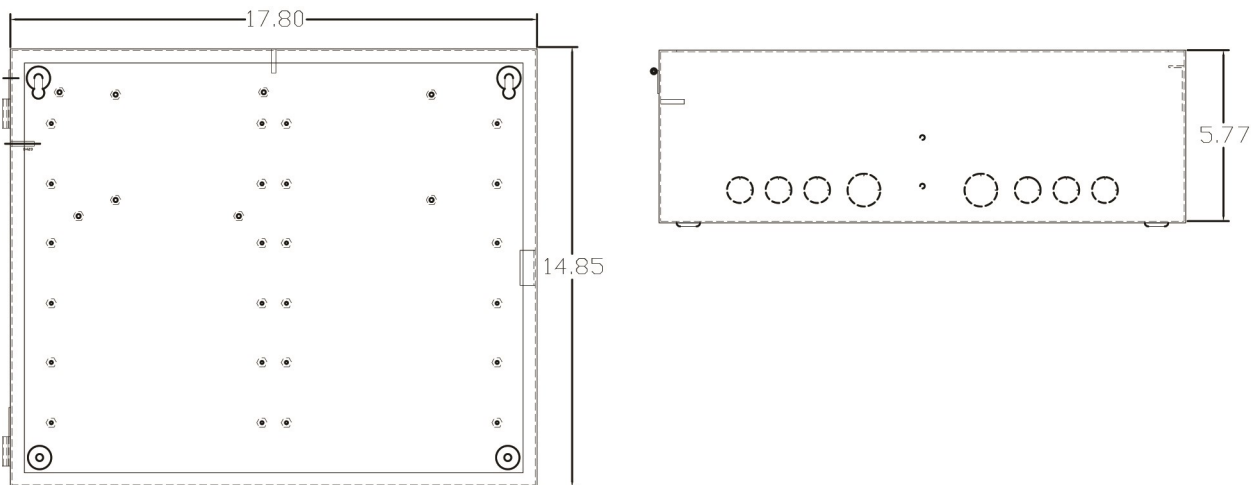
DESCRIPTION

The FN-ACC is designed to provide a method to properly store backup batteries for the FireNET® and FireNET Plus® panels. The enclosure can also be used to mount 16 channel IO Boards. The battery enclosure comes in two colors: red (FN-ACC-R) or gray (FN-ACC-G) and comes with a key lock.

SPECIFICATIONS

Models	FN-ACC-R / FN-ACC-G
Max. Battery Capacity	2 x 33Ah
Max. I/O Board Capacity	6 x FN-4127-IO
Dimensions	17.80"W x 14.85"H x 5.77"D
Colors	Red or gray
Material	ABS / steel enclosure

DIMENSIONS



Specifications subject to change without notice.

HA0710-10/-40 HA0711-10/-40 FIRE DOCUMENT ENCLOSURE



STANDARD FEATURES

- Matches design & color scheme for standard FireNET® control panel ranges
- Easy to install
- Key lockable
- Designed for versatility
- Choice of small or large capacity enclosure



DESCRIPTION

Another addition to the Hochiki range, the document box is designed to complement the design & color of the FireNET® range of control panels. The standard version Document Box will hold up to 50 A4 sheets of information on the Fire Detection or other security systems within a premises. The deep version will hold up to 100 sheets.

The “Doc Box” also doubles up as a Key Box providing 7 easily accessible formed key hooks inside the enclosure.

SPECIFICATIONS

Available Dimensions	PN: 0100-17750	HA0710-10: 14.5”W x 12.2”H x 2.5”D
	PN: 0100-17770	HA0711-10: 14.5”W x 12.2”H x 3.4”D
Weight		6.6lbs
Color		Red Only
Material		18AWG steel enclosure

Specifications subject to change without notice.



**CALIFORNIA DEPARTMENT OF FORESTRY & FIRE PROTECTION
OFFICE OF THE STATE FIRE MARSHAL
FIRE ENGINEERING & INVESTIGATIONS DIVISION
BUILDING MATERIALS LISTING PROGRAM**

LISTING SERVICE

LISTING No.:	7300-0553:0111
CATEGORY:	7300 - FIRE ALARM CONTROL UNIT ACCESSORIES/MISC. DEVICES
LISTEE:	SPACE AGE ELECTRONICS 58 Chockett Road, Sterling, MA, 01564 Contact: Trottier, Taylor 9782121332 Email: taylor.trottier@1sae.com
DESIGN:	Models MBC and BCA battery cabinet enclosures. Minimum thickness .064" cold rolled steel, for batteries with a combined peak voltage of 42.4v. Refer to listee's data sheets, installation instructions, and manufacturer's drawings for detailed product description, installation, and operational considerations.
RATING:	
INSTALLATION:	In accordance with listees printed installation instructions, applicable codes and standards, and in a manner acceptable to the Authority Having Jurisdiction.
MARKING:	Listees name, model number, use of product, and UL label.
APPROVAL:	Listed as a fire alarm equipment battery cabinet enclosure for use with listees fire alarm equipment. Refer to listees installation instruction manual for details.
NOTES:	

02-09-16 dc



This listing is based upon technical data submitted by the applicant. OSFM Fire Engineering staff has reviewed the test results and/or other data but does not make an independent verification of any claims. This listing is not an endorsement or recommendation of the item listed. This listing should not be used to verify correct operational requirements or installation criteria. Refer to listee's data sheet, installation instructions and/or other suitable information sources.

Date Issued: 03/06/2026

Listing Expires: 06/30/2027

Authorized By: **Michael Huang**, Program Coordinator
Fire Engineering & Investigations Division



CALIFORNIA DEPARTMENT OF FORESTRY & FIRE PROTECTION
OFFICE OF THE STATE FIRE MARSHAL
FIRE ENGINEERING & INVESTIGATIONS DIVISION
BUILDING MATERIALS LISTING PROGRAM

LISTING SERVICE

LISTING No.:	7165-0410:0159
CATEGORY:	7165 - FIRE ALARM CONTROL UNIT (COMMERCIAL)
LISTEE:	Hochiki America Corporation 7051 Village Drive, Ste. 100, Buena Park, CA, 90621 Contact: Hem, Ravi (800) 403-7029 Email: rhem@hochiki.com
DESIGN:	<p>Model FireNet 4127 Analog Addressable fire alarm control unit. Automatic, manual, waterflow and sprinkler supervisory service. Refer to the listee's data sheet for detailed product description and operational considerations. System components:</p> <p><u>MODULE /PART NO./DESCRIPTION</u></p> <p>FN-4127-BO/K6002/Control Board</p> <p>FN-4127-IO/K6006/16 Channel Input/Output Board</p> <p>FN-4127-CPA-BO/K6001/Front LCD Indicator Panel</p> <p>FN-4127-SLC/K6004/Loop 3, 4 Board</p> <p>FN-4127-NIC/K6005/Network Card</p> <p>FN-PS402/S402/Power Supply</p> <p>FN-DAC/FN-DAC/Digital Alarm Communicator</p> <p>FN-ENC/FN-ENC/Enclosures</p> <p>FN-ACC/FN-ACC/Battery/Accessory Enclosure</p> <p>FN-CTM/7000-00780/City Tie Module</p> <p>D9068/D9068/Bosch Digital Alarm Communication Transmitter</p> <p>HMX-DP/Voice Evacuation System Distribution Panel</p> <p>HMX-MP/Voice Evacuation System Master Panel</p> <p>EVX-100/Audio Adjunct Module</p> <p>EVX-RM/Remote Microphone</p>
RATING:	
INSTALLATION:	In accordance with listee's printed installation instructions, applicable codes & ordinances, and in a manner acceptable to the authority having jurisdiction.



**CALIFORNIA DEPARTMENT OF FORESTRY & FIRE PROTECTION
OFFICE OF THE STATE FIRE MARSHAL
FIRE ENGINEERING & INVESTIGATIONS DIVISION
BUILDING MATERIALS LISTING PROGRAM**

LISTING SERVICE

MARKING:	Listee's name, model number, electrical rating, and UL label.
APPROVAL:	<p>Listed as fire alarm control unit for use with separately listed compatible initiating and indicating devices. *Also suitable for high-rise applications.</p> <p>These control units can generate the distinctive three-pulse Temporal Pattern Fire Alarm Evacuation Signal as required per NFPA 72, 2002 Edition.</p> <p>This control unit meets the requirements of UL-864, *9th Edition Standard</p>
NOTES:	<p>1. For Fire Alarm Verification Feature (Delay of fire alarm), the maximum Retard/Reset/Restart period must be adjusted to 30 seconds or less.</p> <p>2. Combined with 7170-0410:170</p>

*Rev 6-24-2009
fm



This listing is based upon technical data submitted by the applicant. OSFM Fire Engineering staff has reviewed the test results and/or other data but does not make an independent verification of any claims. This listing is not an endorsement or recommendation of the item listed. This listing should not be used to verify correct operational requirements or installation criteria. Refer to listee's data sheet, installation instructions and/or other suitable information sources.

Date Issued: 03/05/2026

Listing Expires: 06/30/2027

Authorized By: **Michael Huang**, Program Coordinator
Fire Engineering & Investigations Division

FN-642-ULADA, FN-842-ULADA, FN-1042-ULADA**DESCRIPTION**

The FN-642-ULADA, FN-842-ULADA, and FN-1042-ULADA are extremely cost effective voltage regulated remote NAC Power Extenders. They may be connected to any 12 or 24VDC Fire Alarm Control Panel (FACP). Primary applications include Notification Appliance Circuit (NAC) expansion (supports ADA requirements) and will provide auxiliary power to support system accessories.

SPECIFICATIONS**FN-642-ULADA:**

- 24VDC OR 12VDC rated @ 6.5 amps max
- Four (4) Class A or Four (4) Class B outputs
- Enclosure size of 18"H x 14.5"W x 4.625"D

FN-842-ULADA:

- 24VDC OR 12VDC rated @ 8 amps max
- Four (4) Class A or Four (4) Class B outputs
- Enclosure size of 18"H x 14.5"W x 4.625"D

FN-1042-ULADA:

- 24VDC OR 12VDC rated @ 10 amps max
- Four (4) Class A or Four (4) Class B outputs
- Enclosure size of 18"H x 14.5"W x 4.625"D

STANDARD FEATURES

- Two (2) Class A or (2) Class B FACP inputs
- Two (2) NC dry contact trigger inputs
- Four (4) Class A or Four (4) Class B indicating circuits
- Two (2) Class B outputs may be paralleled for more power on an indicating circuit
- One (1) Aux. Power Output @ 1 amp supply current (with or without battery backup)
- Signal Circuit Trouble Memory - Facilitates quickly locating intermittent system trouble and eliminates costly and unnecessary service calls. LED's indicate a prior fault (short, open, ground) has occurred on one or more signaling circuit outputs.
- 2 wire Horn/Strobe Sync mode allows audible notification appliances (Horns) to be silenced while visual notification appliances (Strobes) continue to operate
- Horn/Strobe sync protocols include: Gentex, System Sensor, Faraday, Wheelock and Amseco.
- Temporal Code 3 Mode
- Steady Mode
- Input to Output Follower Mode (maintains synchronization of notification appliance circuits)
- March Time
- Compatible with 24VDC or 12VDC fire panels
- Input 115VAC
- AC fail, battery presence & low battery monitoring
- Accommodates up to two (2) 12VDC/12AH batteries
- Power supply, logic board, red enclosure, cam lock, transformer & battery leads

PRODUCT LISTINGS

SIGNALING

**MEA**NYC Department
of Building
220-95E Vol. 18California State
Fire Marshal
7315-0410:171

Specifications subject to change without notice.



**CALIFORNIA DEPARTMENT OF FORESTRY & FIRE
PROTECTION
OFFICE OF THE STATE FIRE MARSHAL
FIRE ENGINEERING & INVESTIGATIONS DIVISION
BUILDING MATERIALS LISTING PROGRAM**

LISTING SERVICE

LISTING No.:	7315-0410:0166
PARENT LISTING No.:	7315-1335:0109
CATEGORY:	7315 - POWER UNITS
LISTEE:	Hochiki America Corporation 7051 Village Drive, Ste. 100, Buena Park, CA, 90621 Contact: Hem, Ravi (800) 403-7029 Email: rhem@hochiki.com
DESIGN:	Models FN-642-ULADA, FN-842-ULADA and FN-1042-ULADA Indicating Circuit Power Supply may be followed by -R, -G, -C, or -B. Units are a regulated 12 or 24 VDC power supply/charger used for supervision and expanded power driving capability of four notification appliance circuits. Refer to listee's data sheet for additional detailed product description and operational considerations.
RATING:	115 VAC primary, 12 or 24 VDC secondary
INSTALLATION:	In accordance with listee's printed installation instructions, applicable codes & ordinances and in a manner acceptable to the authority having jurisdiction
MARKING:	Listee's name, model number, electrical rating, and UL label.
APPROVAL:	Listed as power supply units for use with separately listed compatible fire alarm control units. Refer to listee's Installation Instruction Manual for details.
NOTES:	The system must have the secondary power supply capable of operating the system for at least 24 hours battery standby) in the normal condition and followed by not less than 5 minutes of alarm as required by code. The battery circuit must be fully supervised.

5-3-2005



This listing is based upon technical data submitted by the applicant. OSFM Fire Engineering staff has reviewed the test results and/or other data but does not make an independent verification of any claims. This listing is not an endorsement or recommendation of the item listed. This listing should not be used to verify correct operational requirements or installation criteria. Refer to listee's data sheet, installation instructions and/or other suitable information sources.

Date Issued: 07/21/2025

Listing Expires: 06/30/2026



**CALIFORNIA DEPARTMENT OF FORESTRY & FIRE
PROTECTION
OFFICE OF THE STATE FIRE MARSHAL
FIRE ENGINEERING & INVESTIGATIONS DIVISION
BUILDING MATERIALS LISTING PROGRAM**

LISTING SERVICE

Authorized By: **Michael Huang** , Program Coordinator
Fire Engineering & Investigations Division

ACD-V MULTI-CRITERIA SENSOR



STANDARD FEATURES

- Low profile - only 2" high
- Simple and reliable device addressing
- Supports 16 operational modes
- Automatic compensation for sensor contamination
- Built-in fire test feature
- Uses the noise-immune Digital Communication Protocol (DCP), which utilizes interrupts for fast response to fires
- Two built-in power/alarm LEDs
- Programmable non-polling LEDs
- Non-directional smoke chamber
- Vandal resistant security locking feature
- 10 years CO sensor life span*

SPECIFICATIONS

Operating Voltage	17-41 VDC
Standby Current	450µA
Alarm Current	7.2mA
Transmission Method	DCP - <i>Digital Communication Protocol</i>
Maximum Humidity	95% RH Non-Condensing
UL Temperature Range	32°F to 120°F (0° C to 49° C)
Operating Temperature Range	14°F to 122°F (-10°C to 50°C)
Sensitivity Range	0.7-4.0%/FT@300FPM 0.7-3.86%/FT@2000FPM 0.7-2.65%/FT@4000FPM
Air Velocity Range	0-4000 fpm
Color & Case Material	Bone - ABS Blend
Weight	4.2oz (5.9 oz. with 4" base)
Dimensions	3.9"D x 1.8"H
Recommended Base	ASBL7, ASBL

Specifications subject to change without notice.

APPLICATIONS

The Hochiki ACD-V Multi-Criteria Sensor is particularly suited for detecting smoke produced by the wide range of combustibles found in various applications. Temperature monitoring is achieved by thermistors placed for optimum sensitivity. Also, the sensor is suited for detecting deadly levels of carbon monoxide (CO). Hochiki's unique design allows fast response to flaming/smoldering fires and carbon monoxide levels while minimizing nuisance alarms.

OPERATION

To sense smoke, the ACD-V uses a light-emitting diode (LED) and photodiode compliment. The chamber is designed such that light emitted by the LED cannot normally reach the photodiode. In the event of fire, particles of smoke enter the chamber and scatter the light. As the smoke level increases, the scattering effect increases, causing more light to hit the photodiode. The chamber contains a unique design which allows smoke to enter the chamber while preventing external light from affecting the photodiode. The photodiode input level is sampled to sense smoke density. When the smoke density exceeds a preset threshold the sensor transmits an interrupt to the fire alarm control panel indicating a fire condition. The fire alarm control panel can adjust the sensor threshold to compensate for contamination.

The ACD-V heat portion incorporates a highly linear dual thermistor circuit. A specially designed cover protects the thermistors while allowing maximum air flow. The ACD-V supports both fixed-temperature and rate-of-rise sensing. The fire alarm control panel can adjust the sensor threshold for different environmental requirements.

The ACD-V carbon monoxide (CO) sensing cell serves the dual purpose of supplementing smoke detection in combination with the photodiode arrangement and monitoring colorless, odorless and deadly carbon monoxide levels for life safety. When the carbon monoxide exceeds the poisonous levels, the sensor transmits an interrupt to the control panel indicating a CO alarm.

Up to 127 devices are permitted on each SLC loop. A sensor address can be set by a hand-held programming unit. The sensor mounts to a base and incorporates a locking mechanism for secure installation. The base provides mounting slots and terminals for field wiring. The sensor incorporates dual LEDs for easy viewing of sensor status.

The ACD-V is fully compatible with today's enhanced FireNET Plus Controls and Loop Explorer II Software.

* Detectors must be replaced after 10 years from date of manufacturing.

PRODUCT LISTINGS		
		
		California State Fire Marshal 7275-0410:0503

Continued on back.

ACD-V MULTI-CRITERIA SENSOR

SENSOR SPACING

Smoke sensor spacing shall be in compliance with NFPA 72. For smooth ceilings and in the absence of specific performance-based design criteria, the distance between smoke sensors shall not exceed a nominal spacing of 30 ft. (9.1m) or all points on the ceiling shall have a sensor within a distance equal to or less than 0.7 times the nominal 30 ft. (9.1m) spacing. Sensors shall be located within a distance of one-half the nominal spacing, measured at right angles from all walls or partitions extending upward to within the top 15 percent of the ceiling height. For additional instructions see NFPA 72.

ENGINEERING SPECIFICATIONS

The contractor shall furnish and install Hochiki's ACD-V (Multi-Criteria Sensor) as indicated on the plans. The Multi-Criteria Sensor head and twist lock base is UL Listed and it's compatible with an UL Listed fire alarm control panel.

The base permits direct interchange with the Hochiki ALG-V, ALK-V/ALK-V2, ALN-V photoelectric type smoke sensors, AIE-EA ionization type smoke sensor, ATG-EA, ATJ-EA heat sensors and the ACA-V, ALO-V, ACC-V multi-criteria sensor.

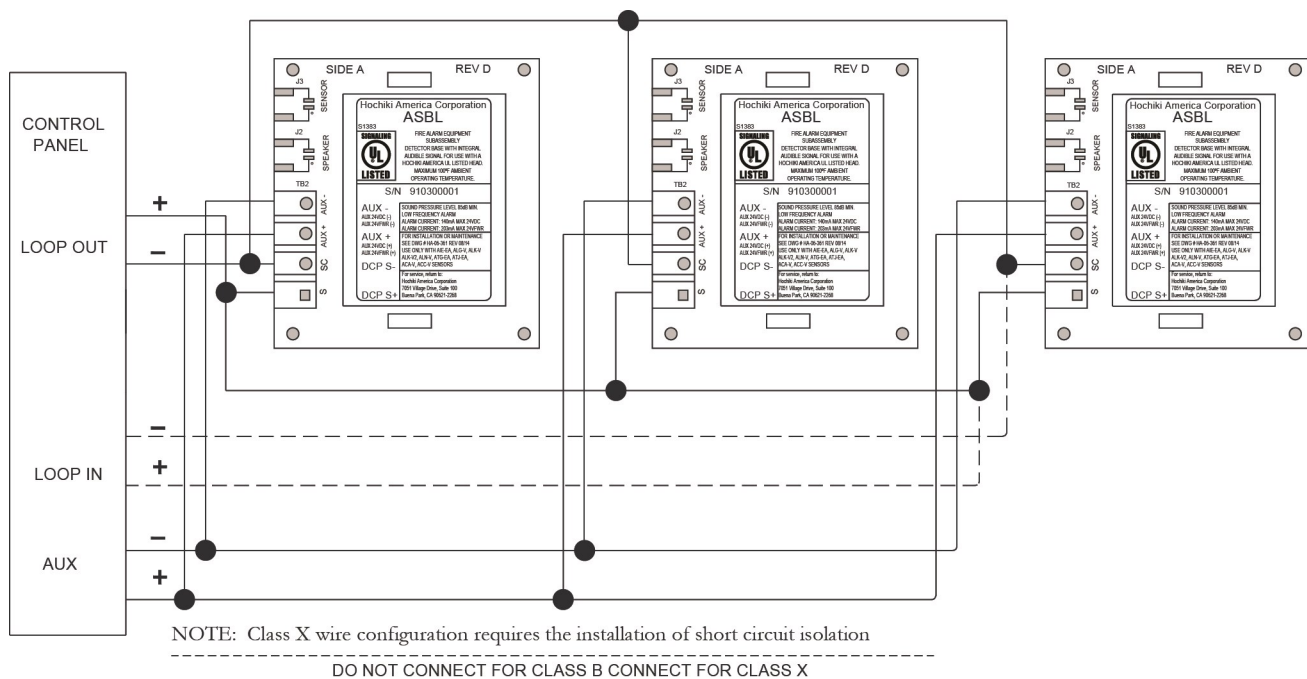
The sensitivity of the sensor is capable of being measured by the control panel. The CO sensing element shall provide for 10 years of active usage.

The vandal-resistant, security locking feature shall be used in those areas as indicated on the drawing. The locking feature is optional and can be implemented when required.

BASES

The ACD-V supports the YBN-NSA-4, HSB-NSA-6, ASBL, SCI-B4, SCI-B6 YBN-NSA-47, HSB-NSA-67, ASB7, SCI-B47, SCI-B67, ASBL7 bases as well as the recommended ASBL or ASBL7 base when used for life safety CO sensing. A common mounting base allows sensor interchange and maintains loop continuity when sensors are removed. A simple anti-tamper head locking system is provided which is enabled by removing a small plastic tab on the back of the sensor. Once locked, the head can be removed using a small diameter screwdriver

TYPICAL WIRING DIAGRAMS



NOTE: Fire alarm control panel compatibility is required for DCP products. DCP communications protocol allows system components (DCP sensors AIE-EA, ALG-V, ACA-V, ACC-V, ALK-V, ALN-V, ATJ-EA, ATG-EA, ALO-V ACD-V, bases and modules) to be used concurrently on a system's SLC (Signaling Line Circuit).

ASBL7 - LOW FREQUENCY SOUNDER BASE



STANDARD FEATURES

- UL268, UL521, UL2075, UL464 Listed
- Programmable evacuation codes - Continuous, Temporal Code 3 (Temporal Code 4 with CO detection)
- 520Hz Low frequency alarm signal meets NFPA requirements for sleeping areas
- Separate addresses range (128 - 254) for easy Cause and Effect programming
- Programmable activation by General Alarm, by zone and/or by individual address
- Up to 127 Sensors and 127 ASBL7's can be on one SLC loop
- High sound pressure level (85dB SPL at 10 ft.)

SPECIFICATIONS

Operating Voltage	17 - 41 VDC
SLC Current Consumption	250µA (Standby and Alarm)
Auxiliary Power	16 - 33 VDC
Auxiliary Current Consumption	2.3mA (Standby)
Auxiliary Current Consumption	72mA @ 33VDC (Alarm) 95mA @ 24VDC 140mA @ 16VDC
Sound Pressure Level	85dB
Max. Quantity per Loop	127
UL Ambient Installation Temperature Range	32°F (0°C) - 100°F (38°C)
Operating Temperature Range	32°F (0°C) - 122°F (50°C)
Relative Humidity	93% RH Non-Condensing
Base Diameter	6.6"
Base Height	3.1"
Compatible Sensors	ALG-V, ALK-V, ALN-V, AIE-EA, ATG-EA, ATJ-EA, ACA-V, ACC-V, ACD-V, ALO-V

DESCRIPTION

The Hochiki ASBL7 Low Frequency Sounder Base is designed for use with the Hochiki Addressable Sensors. Each base is to be connected to the Hochiki State-of-the-Art Digital Communications Protocol (DCP) Signaling Line Circuit (SLC). The ASBL7 provides an audible alarm in the immediate vicinity. Ideal applications are Hotels, Apartments, and Hospitals.

The ASBL7 meets NFPA 72 requirements for Low Frequency alarms in sleeping areas. Studies have shown that a low frequency alarm signal is the most effective at waking people with mild to moderate hearing loss. The ASBL7 is designed for installation in sleeping areas, such as bedrooms, dorm rooms, hotel rooms, patient rooms, etc. Operation and supervision of the ASBL7 is fully managed by the compatible Fire Alarm Control Panel (FACP).

The ASBL7 has a highly configurable programming algorithm that allows the user to set up groups of bases for synchronization of modulation tones. Each device has Continuous, March, Temporal 3, and Temporal 4 patterns.

PRODUCT LISTINGS



California State
Fire Marshal
7300-0410:0210

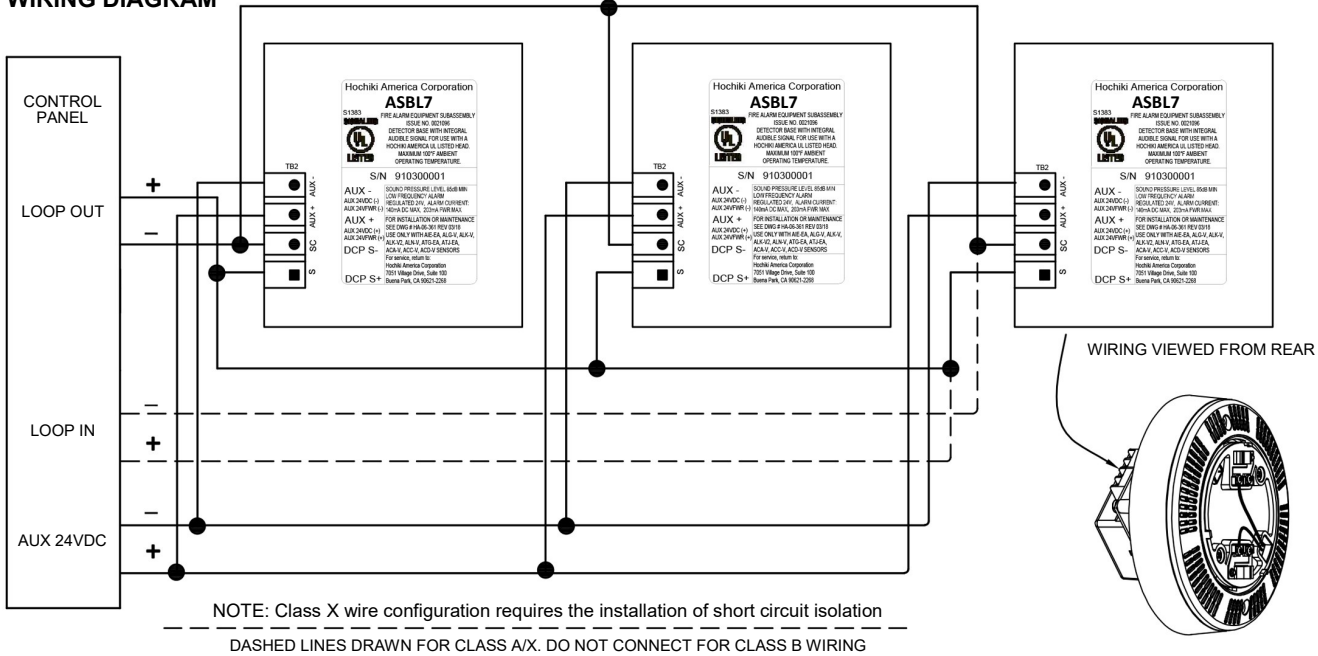
Specifications subject to change without notice.

Continued on back.

ASBL7 - LOW FREQUENCY SOUNDER BASE

WIRING DIAGRAM

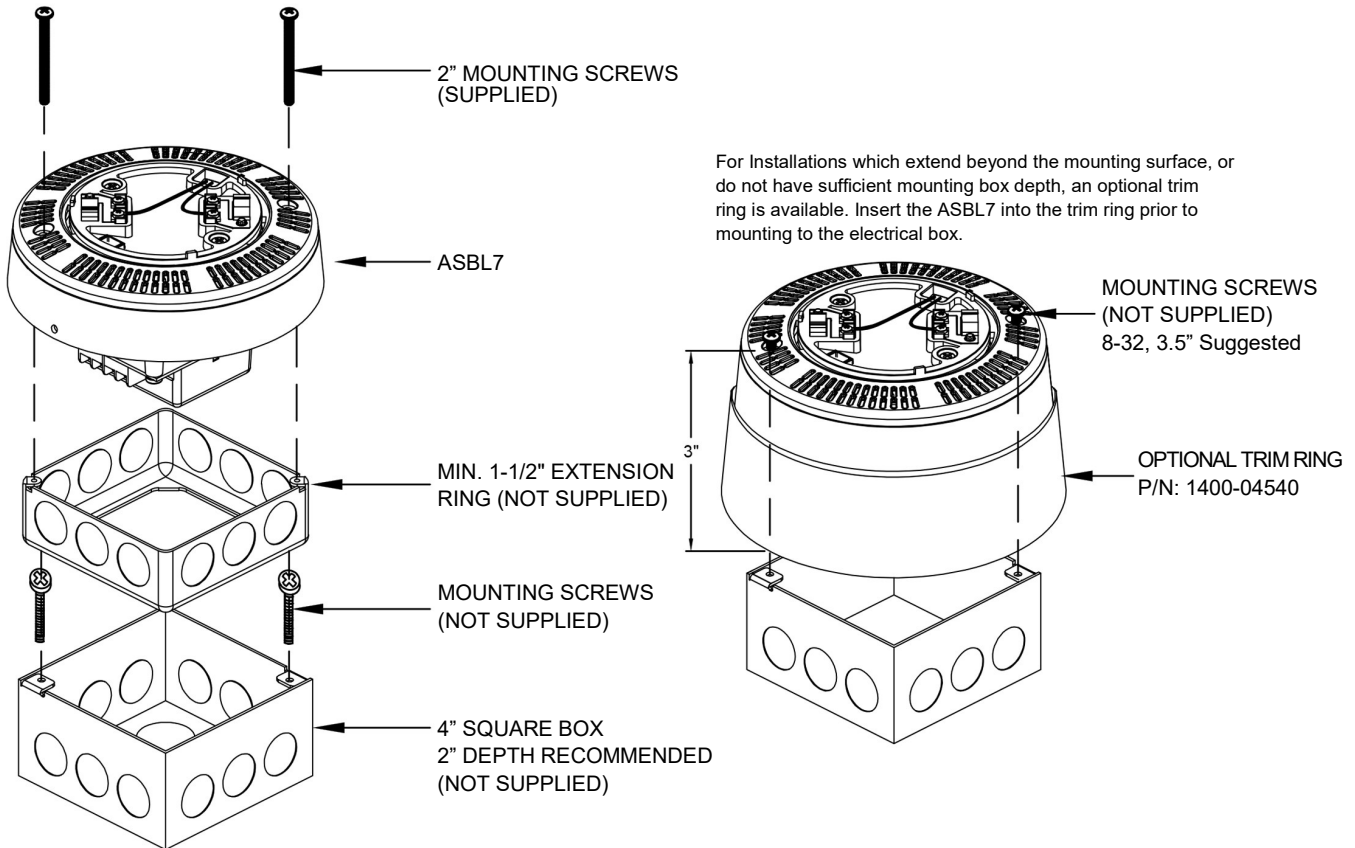
ASBL7 SLC WIRING, ONLY BOARD AND LABEL SHOWN



MOUNTING

ASBL7 Mounting Instructions

The ASBL7 sounder base mounts to a 4" extension ring (not supplied) with two 8-32, 2" mounting screws (supplied).
 The extension ring mounts to the 4" back box with two mounting screws (both 4" box and screws not included).





**CALIFORNIA DEPARTMENT OF FORESTRY & FIRE PROTECTION
OFFICE OF THE STATE FIRE MARSHAL
FIRE ENGINEERING & INVESTIGATIONS DIVISION
BUILDING MATERIALS LISTING PROGRAM**

LISTING SERVICE

LISTING No.:	7272-0410:0510
CATEGORY:	7272 - SMOKE DETECTOR-SYSTEM TYPE-PHOTOELECTRIC
LISTEE:	Hochiki America Corporation 7051 Village Drive, Ste. 100, Buena Park, CA, 90621 Contact: Hem, Ravi (800) 403-7029 Email: rhem@hochiki.com
DESIGN:	<p>Models ALO-V and ALO-V(WHT) Multi-criteria Photoelectric Smoke Detector. The product is intended to detect an abnormal amount of smoke density, in the area in which they are installed and to signal a Listed compatible fire alarm control panel during this condition. Model ALO-V employs an enclosure that is ivory in color and the Model ALO-V (WHT) employs an enclosure that is white in color.</p> <p>Refer to listee's data sheet for additional detailed product description and operational considerations.</p>
RATING:	17-41 VDC Standby Current: 400 uA Alarm Current: 9.10 mA
INSTALLATION:	In accordance with listee's printed installation instructions, NFPA 72, applicable codes and ordinances, and in a manner acceptable to the authority having jurisdiction.
MARKING:	Listee's name, model number, rating, and UL label.



**CALIFORNIA DEPARTMENT OF FORESTRY & FIRE PROTECTION
OFFICE OF THE STATE FIRE MARSHAL
FIRE ENGINEERING & INVESTIGATIONS DIVISION
BUILDING MATERIALS LISTING PROGRAM**

LISTING SERVICE

APPROVAL:	<p>Listed as photoelectric smoke detector for use with listee's separately listed compatible detector bases and listee's separately listed compatible fire alarm control units. Acceptable for duct application with air velocities from 0-4000 ft/min. Refer to listee's Installation Instruction Manual for details. Models complies with the applicable requirements in UL 268, 7th Edition and UL 268A, 4th Edition.</p> <p>Compatible Detector Bases:</p> <p>Model ASBL7 (CSFM Listing No. 7300-0410:0210)</p> <p>Models YBN-NSA-47, HSB-NSA-67 (CSFM Listing No. 7300-0410:0132)</p> <p>Model ASB7 (CSFM Listing No. 7300-0410:0161)</p> <p>Models SCI-B47, SCI-B67 (CSFM Listing No. 7300-0410:0186)</p> <p>Compatible Fire Alarm Control Unit:</p> <p>Model L@titude Fire Alarm Control Unit UL 1204 (CSFM Listing No. 7165-0410:0506)</p> <p>Model FireNet Plus 1127 Series (CSFM Listing No. 7165-0410:0180)</p>
NOTES:	

8-11-23 VWW



This listing is based upon technical data submitted by the applicant. OSFM Fire Engineering staff has reviewed the test results and/or other data but does not make an independent verification of any claims. This listing is not an endorsement or recommendation of the item listed. This listing should not be used to verify correct operational requirements or installation criteria. Refer to listee's data sheet, installation instructions and/or other suitable information sources.

Date Issued: 03/05/2026

Listing Expires: 06/30/2027

Authorized By: **Michael Huang**, Program Coordinator
Fire Engineering & Investigations Division



**CALIFORNIA DEPARTMENT OF FORESTRY & FIRE PROTECTION
OFFICE OF THE STATE FIRE MARSHAL
FIRE ENGINEERING & INVESTIGATIONS DIVISION
BUILDING MATERIALS LISTING PROGRAM**

LISTING SERVICE

LISTING No.:	7300-0410:0210
CATEGORY:	7300 - FIRE ALARM CONTROL UNIT ACCESSORIES/MISC. DEVICES
LISTEE:	Hochiki America Corporation 7051 Village Drive, Ste. 100, Buena Park, CA, 90621 Contact: Hem, Ravi (800) 403-7029 Email: rhem@hochiki.com
DESIGN:	Model ASBL and *ASBL7 low frequency 520 Hz addressable detector sounder base. *Model ASBL7 is identical to model ASBL except for the model name. Refer to listee's data sheet for detailed product description and operational considerations.
RATING:	17-41 Vdc
INSTALLATION:	In accordance with listee's printed installation instruction, applicable codes & ordinances, and in a manner acceptable to the authority having jurisdiction.
MARKING:	Listee's name, model number, electrical ratings and UL label.
APPROVAL:	Listed as a low frequency addressable detector base for use with listee's models ALG-V (CSFM No. 7272-0410:0149), ALK-V and ALK-V2 (CSFM No. 7272-0410:0173), ACA-V (CSFM No. 7272-0410:0182), AIE-EA (CSFM No. 7271-0410:0148), ATG-EA (CSFM No. 7270-0410:0147), ATJ-EA (CSFM No. 7270-0410:0203), ALN-V, ACC-V (CSFM No. 7272-0410:0204) ACD-V (CSFM Listing No. 7275-0410:0503), *ALO-V, *ALO-V(WHT) (CSFM No. 7272-0410:0510) combination smoke/heat/CO detector heads. This unit can generate a low frequency alarm signal for sleeping areas in accordance with NFPA 72. Refer to listee's Installation Instructions Manual for details. *Model ASBL7 complies with the applicable requirements in UL 268, 7th Edition.
NOTES:	

*Rev. 10-25-23
DAL



This listing is based upon technical data submitted by the applicant. OSFM Fire Engineering staff has reviewed the test results and/or other data but does not make an independent verification of any claims. This listing is not an endorsement or recommendation of the item listed. This listing should not be used to verify correct operational requirements or installation criteria. Refer to listee's data sheet, installation instructions and/or other suitable information sources.

Date Issued: 03/05/2026

Listing Expires: 06/30/2027



**CALIFORNIA DEPARTMENT OF FORESTRY & FIRE PROTECTION
OFFICE OF THE STATE FIRE MARSHAL
FIRE ENGINEERING & INVESTIGATIONS DIVISION
BUILDING MATERIALS LISTING PROGRAM**

LISTING SERVICE

Authorized By: **Michael Huang**, Program Coordinator
Fire Engineering & Investigations Division

ALO-V ANALOG PHOTOELECTRIC SMOKE DETECTOR



STANDARD FEATURES

- UL 268 7th Edition Listed
- Designed to resist unwanted alarms from cooking and other nuisance alarm sources
- Advanced multi-criteria smoke detection
- Optical particulate identification
- Early fire smoke detection
- 360° view of detector status LED
- Programmable non-polling LED
- Vandal resistant security locking feature

APPLICATION

The ALO-V (UL 268 7th edition listed) is a reliable, high quality multi-criteria Photoelectric Smoke Detector. It can be used in all open areas where Photoelectric Smoke Detectors are required. This detector is also suitable for monitoring smoke in HVAC ducts. The newly developed "multi-spectrum smoke categorization technology" detects smoldering and flaming fires fueled by traditional materials and polyurethane while reducing nuisance alarms.

The ASB7, ASBL7, SCI-B47, SCI-B67, YBN-NSA-47, and HSB-NSA-67 bases are compatible with the ALO-V.

OPERATION

The construction of the new chamber enhances the smoke entry for early fire smoke detection. The detection chamber utilizes light from IR and Blue LED sources. In the event of fire, particles of smoke enter the chamber and scatter light in proportion to the smoke density, resulting in an increased analog smoke measurement. The chamber contains a unique baffle design which allows smoke to enter the chamber while preventing external light from affecting the photodiode detector.

When the smoke density exceeds the programmed sensitivity threshold, the detector transmits an interrupt to the fire alarm control panel indicating a fire condition. The fire alarm control panel automatically adjusts the detector threshold to compensate for contamination.

Up to 127 devices are permitted on each SLC loop. The detector address is set by using a model AP7 hand-held programmer. The detector can mount to a variety of bases including electronics-free 4 and 6 inch bases, relay bases, and sounder bases. The detector's status LED is viewable on the main face of the detector from all directions.

DETECTOR SPACING

Smoke detector spacing shall be in compliance with NFPA 72. For smooth ceilings and in the absence of specific performance-based design criteria, the distance between smoke detectors shall not exceed a nominal spacing of 30 ft. (9.1m) or all points on the ceiling shall have a detector within a distance equal to or less than 0.7 times the nominal 30 ft. (9.1m) spacing. Detectors shall be located within a distance of one-half the nominal spacing, measured at right angles from all walls or partitions extending upward to within the top 15 percent of the ceiling height. For additional instructions see NFPA 72.

PRODUCT LISTINGS



California State
Fire Marshal
7272-0410:0510

APPROVED
455802

Specifications subject to change without notice.

ALO-V ANALOG PHOTOELECTRIC SMOKE DETECTOR

ALO-V Intelligent Multi-Criteria Photoelectric Smoke Detector

Supply Voltage	Operating Voltage Range (High Signal)	24 - 41 VDC
	Signal Voltage (Peak to Peak) ¹	7 - 9 VDC
Current Consumption	Normal Standby Current	340µA
	Alarm Current (LED Off) ²	340µA
	Alarm Current (LED On) ²	8.5mA
	Remote Indicator Current ³	9.2mA
	Polling Current ⁴	6.75mA
Smoke Density Range	1.40 – 3.30%/ft @0 - 300 FPM Open Area	
	1.40 – 2.75%/ft @300 FPM In Duct	
	1.40 – 4.00%/ft @1000 FPM In Duct	
	1.40 – 4.00%/ft @2000 FPM In Duct	
	1.40 – 2.37%/ft @3000 FPM In Duct	
	1.40 – 4.00%/ft @4000 FPM In Duct	
Compatible Bases	YBN-NSA-47, HSB-NSA-67, SCI-B47, SCI-B67, ASB7, ASBL7	
Operating Temperature Range	32°F ~ 120°F	
UL Listed Ambient Temperature	32°F ~ 120°F	
Storage Temperature Range	-22F ~ +140F (104F or less at 95%RH, 140F or less at 80%RH)	
Operating Humidity Limit	<95%RH at 104F, <80%RH at 120F	
Dimension	3.94" diameter x 1.68" tall	
Color	Ivory	
Weight	3.4 oz.	



Notes

1. Measured during FACP transmission. 17V Minimum Voltage (Operating Voltage less Signal Voltage).
2. When the total number of active alarm LEDs is limited by the FACP, additional detectors in Alarm will consume the Alarm Current (LED Off) current.
3. RI is current limited by the detector not to exceed 9.2mA. Actual RI current is equal to the load current for loads less than 9.2mA.
4. Polling Current should be added to sum-total Normal Standby Current for each SLC loop. Voltage drop calculations do not need to include Polling Current.



**CALIFORNIA DEPARTMENT OF FORESTRY & FIRE PROTECTION
OFFICE OF THE STATE FIRE MARSHAL
FIRE ENGINEERING & INVESTIGATIONS DIVISION
BUILDING MATERIALS LISTING PROGRAM**

LISTING SERVICE

LISTING No.:	7272-0410:0510
CATEGORY:	7272 - SMOKE DETECTOR-SYSTEM TYPE-PHOTOELECTRIC
LISTEE:	Hochiki America Corporation 7051 Village Drive, Ste. 100, Buena Park, CA, 90621 Contact: Hem, Ravi (800) 403-7029 Email: rhem@hochiki.com
DESIGN:	<p>Models ALO-V and ALO-V(WHT) Multi-criteria Photoelectric Smoke Detector. The product is intended to detect an abnormal amount of smoke density, in the area in which they are installed and to signal a Listed compatible fire alarm control panel during this condition. Model ALO-V employs an enclosure that is ivory in color and the Model ALO-V (WHT) employs an enclosure that is white in color.</p> <p>Refer to listee's data sheet for additional detailed product description and operational considerations.</p>
RATING:	17-41 VDC Standby Current: 400 uA Alarm Current: 9.10 mA
INSTALLATION:	In accordance with listee's printed installation instructions, NFPA 72, applicable codes and ordinances, and in a manner acceptable to the authority having jurisdiction.
MARKING:	Listee's name, model number, rating, and UL label.



**CALIFORNIA DEPARTMENT OF FORESTRY & FIRE PROTECTION
OFFICE OF THE STATE FIRE MARSHAL
FIRE ENGINEERING & INVESTIGATIONS DIVISION
BUILDING MATERIALS LISTING PROGRAM**

LISTING SERVICE

APPROVAL:	<p>Listed as photoelectric smoke detector for use with listee's separately listed compatible detector bases and listee's separately listed compatible fire alarm control units. Acceptable for duct application with air velocities from 0-4000 ft/min. Refer to listee's Installation Instruction Manual for details. Models complies with the applicable requirements in UL 268, 7th Edition and UL 268A, 4th Edition.</p> <p>Compatible Detector Bases:</p> <p>Model ASBL7 (CSFM Listing No. 7300-0410:0210)</p> <p>Models YBN-NSA-47, HSB-NSA-67 (CSFM Listing No. 7300-0410:0132)</p> <p>Model ASB7 (CSFM Listing No. 7300-0410:0161)</p> <p>Models SCI-B47, SCI-B67 (CSFM Listing No. 7300-0410:0186)</p> <p>Compatible Fire Alarm Control Unit:</p> <p>Model L@titude Fire Alarm Control Unit UL 1204 (CSFM Listing No. 7165-0410:0506)</p> <p>Model FireNet Plus 1127 Series (CSFM Listing No. 7165-0410:0180)</p>
NOTES:	

8-11-23 VWW



This listing is based upon technical data submitted by the applicant. OSFM Fire Engineering staff has reviewed the test results and/or other data but does not make an independent verification of any claims. This listing is not an endorsement or recommendation of the item listed. This listing should not be used to verify correct operational requirements or installation criteria. Refer to listee's data sheet, installation instructions and/or other suitable information sources.

Date Issued: 03/05/2026

Listing Expires: 06/30/2027

Authorized By: **Michael Huang**, Program Coordinator
Fire Engineering & Investigations Division

ATJ-EA FIXED TEMP/RATE OF RISE HEAT SENSOR



STANDARD FEATURES

- Low profile - only 2.00" high, including base
- Simple and reliable device addressing method
- Uses the noise immune Digital Communication Protocol (DCP), which utilizes interrupts for fast response to fires
- Rate of rise temperature threshold = 15°F/Min (determined by panel)
- Adjustable threshold temperature = 135°F - 190°F (determined by panel)
- UL maximum spacing of 70 feet

SPECIFICATIONS

Operating Voltage	24 - 41 VDC
Standby Current	350µA
Alarm Current	500µA
Transmission Method	DCP - Digital Communication Protocol
Rate of Rise	15° F/Min. (8.3° C/Min.)
UL Temperature Range	135° F to 190° F (57.2° C to 87.8° C)
Operating Temperature Range	14° F to 122° F (-10° C to 50° C)
UL Maximum Spacing	70 feet
Maximum Humidity	95% RH Non-Condensing
Color & Case Material	Bone - ABS blend
Weight	3.2oz (4.9oz. with 4" base)
Bases	YBN-NSA-4, HSB-NSA-6, ASB, SCI-B4, SCI-B6, ASBL

Specifications subject to change without notice.

APPLICATION

The Hochiki ATJ-EA Fixed Temperature / Rate of Rise sensors provide accurate temperature measurement data to the fire alarm control panel. These sensors are well-suited for environments where dust, cooking fumes or other factors make the use of smoke sensors impractical.

OPERATION

The ATJ-EA incorporates a highly linear thermistor circuit. The specially designed cover protects the thermistor while allowing maximum air flow. The thermistor circuit produces a voltage proportional to the temperature. This information is transmitted to the control panel as a digital value. When the ambient temperature exceeds a pre-programmed threshold (fixed temp or rate of rise), the sensor transmits an interrupt to the control panel indicating a fire alarm. The fire alarm control panel can adjust the sensor's fixed temperature threshold for different installation requirements.

Up to 127 devices may be installed on each SLC loop. The sensor address may be set by a hand-held programming unit. The sensor mounts to an electronics-free base and incorporates a locking mechanism for security. The base provides mounting slots, terminals for field wiring and a third terminal for a remote indicator/LED. The sensor has dual LEDs for easy viewing of the sensor status.

SENSOR SPACING

Heat sensor spacing shall be in compliance with NFPA 72. The distance between heat sensors shall not exceed their listed spacing **or** all points on the ceiling shall have a sensor within a distance equal to or less than 0.7 times the listed spacing. Heat sensors shall be located within a distance of one-half the listed spacing, measured at right angles from all walls or partitions extending upward to within the top 15 percent of the ceiling height. For additional instructions see NFPA 72.

PRODUCT LISTINGS



California State
Fire Marshal
7270-0410:0203

Continued on back.

ATJ-EA FIXED TEMP/RATE OF RISE HEAT SENSOR

ENGINEERING SPECIFICATIONS

Heat sensors are installed in accordance with NFPA 72, the UL Listed spacing requirements and the rules and regulations set forth by the local authorities having jurisdiction. The contractor shall furnish and install, where indicated on the plans, fixed temp / rate of rise automatic heat sensors.

The heat sensor head and twist lock base needs to be UL Listed compatible with a UL Listed fire alarm control panel.

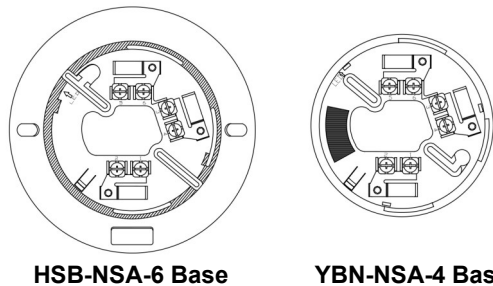
The base permits direct interchange with the Hochiki AIE-EA ionization type smoke sensor, ALG-V, ALK-V/ALK-V2 photoelectric type smoke sensors, ATG-EA, ATJ-EA heat sensors and the ACA-V, ACC-V, and ACD-V multi-criteria sensors.

The sensitivity of the sensor is capable of being measured by the control panel.

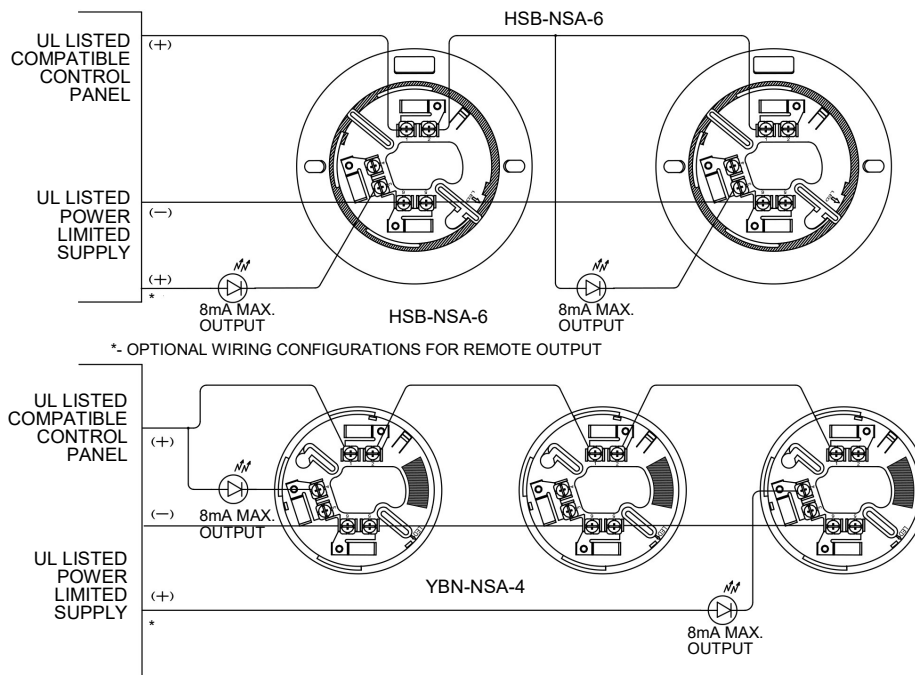
The vandal-resistant, security locking feature is used in those areas as indicated on the drawing. The locking feature is optional and can be implemented when required.

BASES

The Hochiki HSB-NSA-6 and the YBN-NSA-4 mounting bases are electronic free and are a simple, rugged design with screw terminals for wiring connections. A common mounting base allows sensor interchange and maintains loop continuity when sensors are removed. A simple anti-tamper head locking system is provided which is enabled by removing a small plastic tab on the back of the sensor. Once locked, the head can be removed using a small diameter screwdriver.



TYPICAL WIRING DIAGRAMS



NOTE: Fire alarm control panel compatibility is required for DCP products. DCP communications protocol allows system components (DCP sensors AIE-EA, ALG-V, ACA-V, ACC-V, ACD-V, ALK-V, ALN-V, ATJ-EA and ATG-EA, bases and modules) to be used concurrently on a system's SLC (Signaling Line Circuit).



**CALIFORNIA DEPARTMENT OF FORESTRY & FIRE PROTECTION
OFFICE OF THE STATE FIRE MARSHAL
FIRE ENGINEERING & INVESTIGATIONS DIVISION
BUILDING MATERIALS LISTING PROGRAM**

LISTING SERVICE

LISTING No.:	7270-0410:0203
CATEGORY:	7270 - HEAT DETECTOR
LISTEE:	Hochiki America Corporation 7051 Village Drive, Ste. 100, Buena Park, CA, 90621 Contact: Hem, Ravi (800) 403-7029 Email: rhem@hochiki.com
DESIGN:	Model ATJ-EA Analog Addressable Combination 15°F Rate of Rise / 135-194°F Fixed Temperature Heat Detector for use with base Models HSB-NSA-6 or YBN-NSA-4. Refer to listee's data sheet for additional detailed product description and operational considerations.
RATING:	17.0 - 40.7 VDC
INSTALLATION:	In accordance with listee's printed installation instructions, applicable codes & ordinances and in a manner acceptable to the authority having jurisdiction.
MARKING:	Listee's name, model designation, electrical/temperature rating and UL label.
APPROVAL:	Listed as heat detector for use with separately listed compatible fire alarm control units. Refer to manufacturer's Installation Manual for details.
NOTES:	

08-19-13 gt



This listing is based upon technical data submitted by the applicant. OSFM Fire Engineering staff has reviewed the test results and/or other data but does not make an independent verification of any claims. This listing is not an endorsement or recommendation of the item listed. This listing should not be used to verify correct operational requirements or installation criteria. Refer to listee's data sheet, installation instructions and/or other suitable information sources.

Date Issued: 03/05/2026

Listing Expires: 06/30/2027

Authorized By: **Michael Huang**, Program Coordinator
Fire Engineering & Investigations Division

ASB7 - DIGITAL ANALOG SOUNDER BASE



DESCRIPTION

The ASB7 Digital analog Sounder Base is designed for use with Hochiki digital analog sensors ALO-V, ALG-V, ALK-V, ALN-V, ATJ-EA, ACC-V, ACD-V, ACA-V, AIE-EA, and ATG-EA. Each addressable base is to be connected to a Hochiki America Corporation DCP Signaling Line Circuit (SLC). The ASB7 provides an audible alarm in the immediate vicinity. Typical applications are hotels, apartments, and hospitals.

The ASB7 has a highly configurable programming algorithm that allows the user to set up groups of bases for synchronization of Continuous, March, or Temporal 3 pattern.

STANDARD FEATURES

- Programmable evacuation codes - Continuous, March, ANSI Temporal 3 patterns
- Base learns the sensor address and automatically sets base address (128-254)
- Up to 127 sensors and 127 ASB7s can be used on one SLC loop
- Can be alarmed or reset by zone or by individual address
- ASB7 SLC loop wire resistance = 50 ohms Max. (total SLC wire run length)
- High sound pressure level (85dB SPL at 10 feet)

SPECIFICATIONS

Operating Voltage	17 ~ 41 VDC
SLC Current Consumption	170µA (Typical) 170µA (Alarm)
Auxiliary Power	16 ~ 31 VDC
Auxiliary Current Consumption	550µA (Typical) 18mA (Alarm)
Sound Pressure Level at 10ft.	85dB
Max. Quantity per Loop	127
UL Ambient Installation Temperature Range	32°F (0°C) ~ 100°F (38°C)
Operating Temperature Range	32°F (0°C) ~ 122°F (50°C)
Dimensions (without sensor)	1.34"H x 5.94"D
Weight	0.455 lb
Relative Humidity	93% RH Non-Condensing
Compatible Sensors	ALO-V, ALG-V, ALK-V, ALN-V, ATJ-EA, ACC-V, ACD-V, ACA-V, AIE-EA, and ATG-EA

Specifications subject to change without notice.


Continued on back.


NUMBER OF BASES PERMITTED


# of Bases In Alarm	Maximum Auxiliary 24VDC Power Wire Resistance (Total Auxiliary Run Length)
127	1.4 ohm
75	2.4 ohm
60	3.0 ohm
50	3.6 ohm
30	6.1 ohm
20	9.1 ohm
15	12.2 ohm
10	18.3 ohm

NOTE: SLC maximum wiring resistance is 50 ohms.

PRODUCT LISTINGS



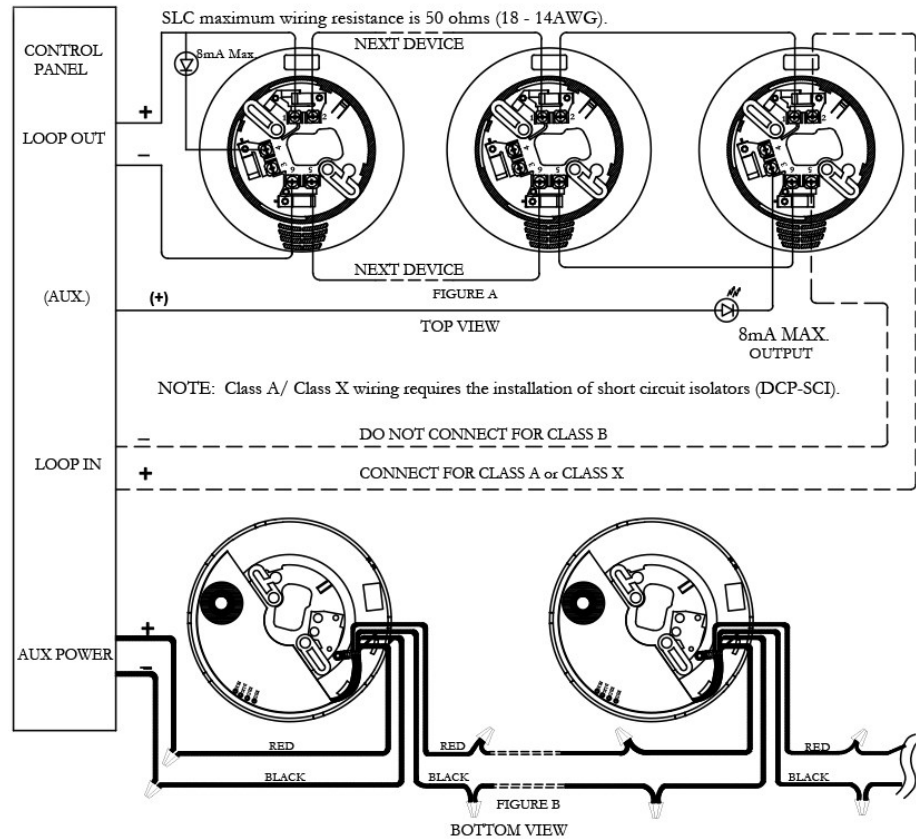




California State
Fire Marshal
7300-0410:0161

ASB7 - DIGITAL ANALOG SOUNDER BASE

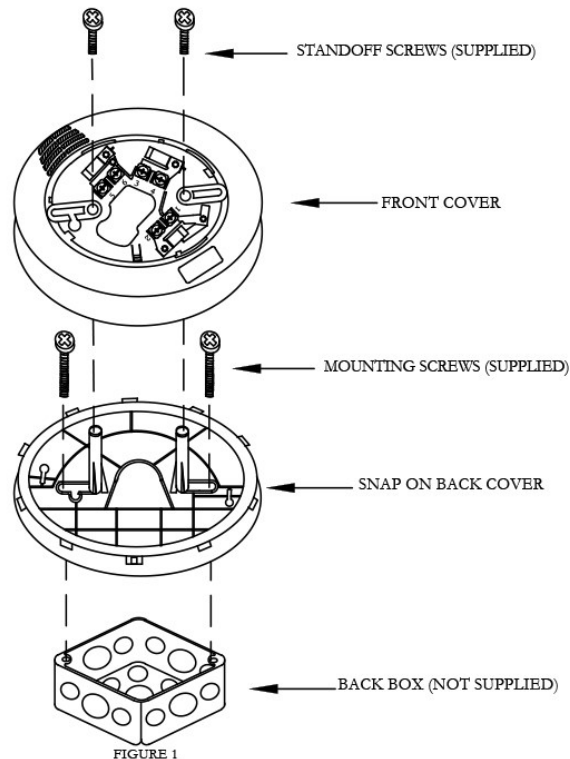
WIRING DIAGRAM



ASB7 Series Mounting Instructions

Please refer to diagram in Figure 1

Mount directly to 3" or 4" octagonal boxes. To mount the base, remove the back cover from the main assembly and place flush onto a back box. Attach the cover using the (2) 8-32 x 1 3/8 mounting screws (supplied). Once the back cover is mounted securely to the box, snap the main assembly into place by aligning the notches on both pieces of the plastic housing. Complete the assembly by fastening it using (2) standoff screws (supplied) into the appropriate slots.





**CALIFORNIA DEPARTMENT OF FORESTRY & FIRE PROTECTION
 OFFICE OF THE STATE FIRE MARSHAL
 FIRE ENGINEERING & INVESTIGATIONS DIVISION
 BUILDING MATERIALS LISTING PROGRAM**

LISTING SERVICE

LISTING No.:	7300-0410:0132
CATEGORY:	7300 - FIRE ALARM CONTROL UNIT ACCESSORIES/MISC. DEVICES
LISTEE:	Hochiki America Corporation 7051 Village Drive, Ste. 100, Buena Park, CA, 90621 Contact: Hem, Ravi (800) 403-7029 Email: rhem@hochiki.com
DESIGN:	<p>Detector bases (2 and 4-wire). Unit is intended for use with a separately listed compatible detector head. Refer to listee's data sheet for detailed product description and operational considerations. Models listed below.</p> <p>HA-4W tttHA-4W1 ttHA-4WX ttHA-2</p> <p>HA-SL tttHA-SR tttHA-SLR ttHA-RA2</p> <p>HA-NRA2 ttHA-L12R ttHA-2R tttHA-22R</p> <p>HA-L2 tttHA-L2A ttHA-L2R ttHA-L22</p> <p>HA-L22A ttHA-L22F ttHA-L22R ttHA-L22S</p> <p>HA-LA2 ttHA-LRA ttHA-LRA2 ttHA-LNA2</p> <p>HA-LNRA2</p> <p>HS-2 tttHS-2L tttHS-2D tttHS-21</p> <p>HS-21L ttHS-21D ttHS-22 tttHS-22L</p> <p>HS-22D ttHS-100 ttHS-200D ttHS-220</p> <p>HS-220L ttHS-220D ttHS-221 ttHS-221L</p> <p>HS-221D ttHS-221X ttHS-221XL ttHS-221XD</p> <p>HS-224 ttHS-224L ttHS-224D ttHS-225</p> <p>HS-225L ttHS-225D ttHS-2RB ttHS-21RB</p> <p>HS-220RB ttHS-221RB ttHS-224RB ttHS-2RB4</p> <p>HSB-2 tttHSB-2N ttHSB-12-1 ttHSB-12-1N</p>



**CALIFORNIA DEPARTMENT OF FORESTRY & FIRE PROTECTION
 OFFICE OF THE STATE FIRE MARSHAL
 FIRE ENGINEERING & INVESTIGATIONS DIVISION
 BUILDING MATERIALS LISTING PROGRAM**

LISTING SERVICE

HSB-12-4 ttHSB-12-4N tHSB-21 ttHSB-21N
 HSB-100 ttHSB-200 ttHSB-200N ttHSB-220
 HSB-220N ttHSB-221 ttHSB-221N ttHSB-221S
 HSB-224 ttHSB-224N ttHSB-225 ttHSB-225N
 HSC-4R ttHSC-21L ttHSC-220L ttHSC-220R
 HSC-221L ttHSC-221R ttHSC-224RA tHSC-224L
 HSC-224R ttHSC-225L ttHSB-DCP-6 tHSB-NSA-6
 HSC-4R12

YBA-M2 ttYBA-M21 ttYBA-M22 ttYBA-M220
 YBA-M221 ttYBA-M224 ttYBA-M225 ttYBA-M100
 YBA-MAP ttYBA-R3 ttYBA-RL/4 ttYBA-RL/4-1
 YBA-RL/4-2 tYBA-RL/4-RA tYBC-RL/12 ttYBC-RL/12-1
 YBC-RL/12-2 tYBC-RL/12-4 tYBC-RL/4-RA tYBC-RL/2NC
 YBC-RL/2NBE tYBJ-RL/2ND tYBN-R/2NA tYBN-NSA-4
 NS4-100 ttNS4-220 ttNS4-221 ttNS4-224
 NS6-100 ttNS6-220 ttNS6-221 ttNS6-224
 FFO-4BASEtFFO-6BASEtFFO-SBASE
 *YBN-NSA-47t*HSB-NSA-67
 Models may or may not come with suffix -W.

RATING:

Refer to the detector base's data sheet.

INSTALLATION:

In accordance with listee's printed installation instructions, applicable codes and ordinances, and in a manner acceptable to the authority having jurisdiction.

MARKING:

Listee's name, model number, electrical rating, and UL label.



**CALIFORNIA DEPARTMENT OF FORESTRY & FIRE PROTECTION
OFFICE OF THE STATE FIRE MARSHAL
FIRE ENGINEERING & INVESTIGATIONS DIVISION
BUILDING MATERIALS LISTING PROGRAM**

LISTING SERVICE

APPROVAL:	Listed as bases for use with listee's separately listed compatible smoke and heat detectors. Refer to heat or smoke detector listings for compatibility. Models HA-2R, HA-SLR, HA-LRA2 and HSC Series w/ suffix R are also suitable for releasing device service. Model YBA-R3 is intended for use with thermostat detector only. Models HSC-220R, HSC-221R, HSC-224R, HSC-4R, HSC-4R12, *YBN-NSA-47, and *HSB-NSA-67 complies with the applicable requirements in UL 268, 7th Edition.
NOTES:	Formerly 7300-0410:0100, 0106, 0115, 0124, 0125, 0126, 0130, 0131 & 0133

*Rev. 10-25-23
DAL



This listing is based upon technical data submitted by the applicant. OSFM Fire Engineering staff has reviewed the test results and/or other data but does not make an independent verification of any claims. This listing is not an endorsement or recommendation of the item listed. This listing should not be used to verify correct operational requirements or installation criteria. Refer to listee's data sheet, installation instructions and/or other suitable information sources.

Date Issued: 03/05/2026

Listing Expires: 06/30/2027

Authorized By: **Michael Huang**, Program Coordinator
Fire Engineering & Investigations Division

DCP-SOM-A/-AI - CLASS A SUPERVISED OUTPUT MODULE



STANDARD FEATURES

- Built-in SCI circuitry (SOM-AI only)
- Flexible application
- Quick response to emergency conditions
- Operation parameters are maintained by the module, and individual communication with the control system during emergency conditions is not required
- Contacts are rated 2.0 Amps @ 24VDC
- Programming is highly flexible providing 16 priority states plus zoning capability
- Programmed device output is turned off, silenced, or programmed to output the selected pattern
- UL 864 Listed



Specifications subject to change without notice.

SPECIFICATIONS	
Supply Voltage (S-SC)	25.3 ~ 39 VDC
Auxiliary Supply Voltage	24 VDC
Average Current Consumption SOM-AI - 420 μ A (Typical), SOM-A - 220 μ A (Typical) (on S-SC Line) Maximum 6mA: Red Alarm LED On	
Current Consumption on Auxiliary Power Lines	Typical 50 μ A
SCI On Resistance 40m ohm Max. (Normal Condition)	
SCI Fault Detection Threshold	12 volts (Typical)
SCI Isolation Current (Short Circuit Condition)	10mA (Typical)
Maximum Quantity Per Loop	127
Dimensions	4.2"W x 4.7"H x 1.4"D
Ambient Temperature	32°F (0°C) ~ 120°F (49°C)
Mounting	4" square electrical box
Maximum Output Current	2A@24VDC power limited
Relative Humidity	90% RH Non-condensing

DESCRIPTION

The Class A Supervised Output Modules (DCP-SOM-A & SOM-AI) have been designed to provide application flexibility and quick response to emergency conditions. Flexibility is provided by a wide range of operating modes, including supporting multi-zone operations, and/or functions, up to 16 different modulation patterns and multi-state programming. The operating parameters for the DCP-SOM-A & -AI are maintained by the module and do not require individual communication with the control system during emergency conditions to operate. The control panel simply broadcasts system conditions on the Signaling Line Circuit (SLC) and the DCP-SOM-A & -AI modules do the rest based upon the custom configuration. Each DCP-SOM-A & -AI provides a single Class B or Class A circuit rated for 2.0 Amps @ 24 VDC. Each DCP-SOM-A & -AI also requires a 24 VDC power source in addition to the SLC.

Continued on back.

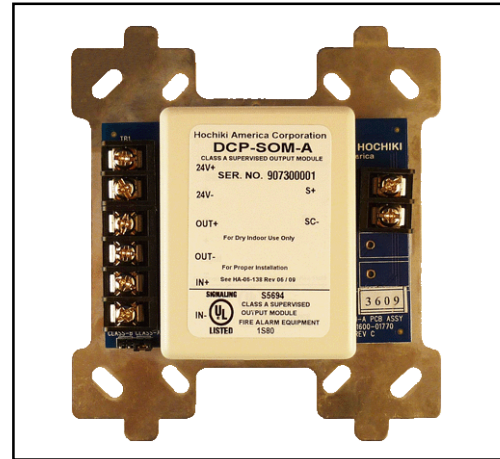
ENGINEERING SPECIFICATIONS

The contractor shall furnish and install where indicated on the plans, addressable Class A Supervised Output Modules (DCP-SOM-A & -AI). The modules shall be UL listed and compatible with the fire alarm control panel. The device address shall be electrically programmable and stored in EEPROM. A bi-colored LED shall flash to indicate normal system communication .

The DCP-SOM-A & -AI shall be supplied with a plastic cover and shall be suitable for mounting to a 4" square or double gang electrical back box. The DCP-SOM-A & -AI shall provide a monitor LED that is visible from outside the cover plate.

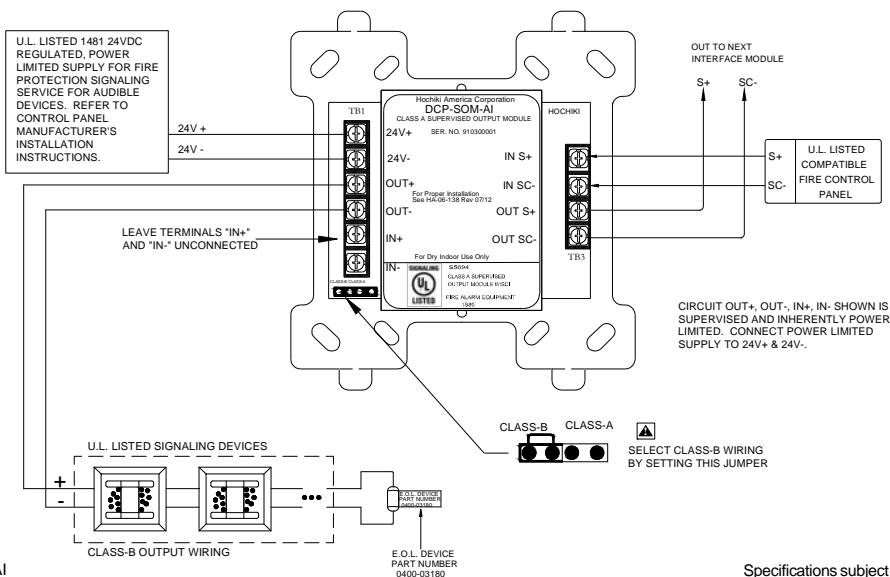
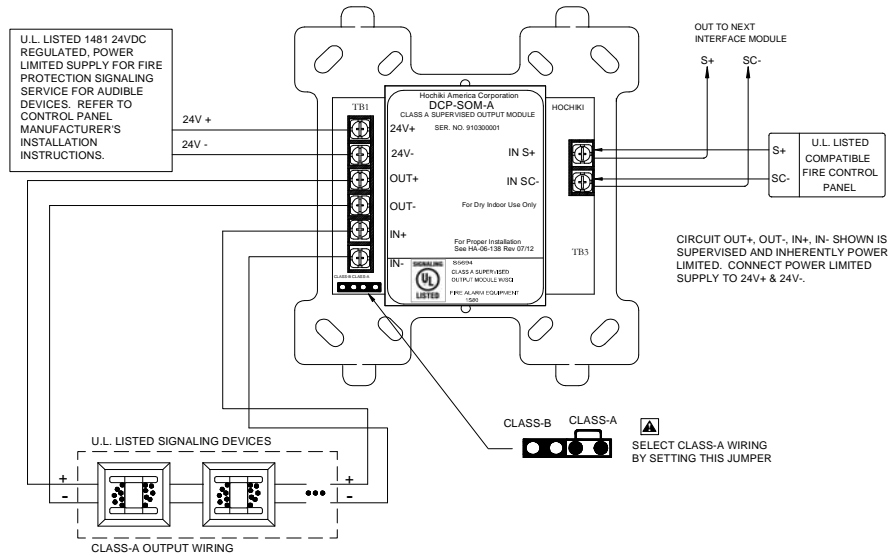


Back side of a SOM-AI



Back side of a SOM-A

WIRING DIAGRAM



DCP-R2ML/-I & DCP-R2MH/-I - DUAL RELAY MODULE



SPECIFICATIONS

Supply Voltage (S-SC)	25.3 ~ 39 VDC
Average Current Consumption	350µA (Typical) 405µA (Alarm)
Contacts	2 Independently Controlled Form C
R2ML	2A @ 30VDC / 0.5A @ 120VAC
R2MH	8A @ 30VDC / 4.8A @ 250VAC
SCI On Resistance	40m ohm Max. (Normal Condition)
SCI Fault Detection Threshold	12 volts (Typical)
SCI Isolation Current (Short Circuit Condition)	10mA (Typical)
Maximum Quantity Per Loop	127
Dimensions	4.2"W x 4.7"H x 1.4"D
Ambient Temperature	32°F (0°C) ~ 120°F (49°C)
Mounting	4" square electrical box
Relative Humidity	90% RH Non-condensing

STANDARD FEATURES

- Provides two independently configurable Form C contacts per address
- Contacts are rated as follow:
R2ML: 2A @ 30 VDC / 0.5A @ 120 VAC
R2MH: 8A @ 30VDC / 4.8A @ 250 VAC
- Up to 127 devices can be used on each SLC loop
- Visible Bi-colored LED is software controlled. The LED can be latched on when activated. (For All Models)
- Yellow LED indicates a short circuit condition (R2ML-I & R2MH-I only)
- Operates on Class A or Class B SLC loop
- UL 864 Listed

DESCRIPTION

The Dual Relay Modules (R2ML/H Series) have been designed to provide flexible and quick response to emergency conditions. The R2ML/H Series allows independent control of two form C contacts for a variety of normally open and normally closed contact applications such as fan operation, elevator recall, door closure, and auxiliary notification.

Each R2ML/H Series module provides independent control of two Form C contacts while utilizing one SLC (Signaling Line Circuit) address. The R2ML/H Series modules have a highly configurable programming algorithm that allows the user to set up groups of devices (zoning) for simultaneous operation of multiple R2ML/H modules. The operating parameters are maintained by the module and do not require individual communication with the control panel during the emergency condition to operate. The control panel broadcasts the control command on the SLC loop and the R2ML/H Series modules do the rest based on their custom configuration. Since mechanically latching relays are used within the R2ML/H Series modules, a separate 24VDC power source is not required.

PRODUCT LISTINGS



California State
Fire Marshal
7300-0410:150

Specifications subject to change without notice.

Continued on back.

DCP-R2ML/-I & DCP-R2MH/-I - DUAL RELAY MODULE

ENGINEERING SPECIFICATIONS

The contractor shall furnish and install where indicated on the plans, the Hochiki DCP-R2ML/H Series addressable relay modules. The modules shall be UL listed compatible with Hochiki Digital Communications Protocol (DCP) supporting control panel loops. The relay module must provide two Form C dry contacts rated as follows: R2ML - 2A @ 30 VDC or 0.5A @ 120 VAC and R2MH - 8A @ 30VDC or 4.8A @ 250 VAC. The relay module must be suitable for mounting in a standard 4" square electrical box. The relay module must provide a bi-colored LED for indication of status. R2M-LI/-HI shall provide an SCI LED that is visible through the face plate.

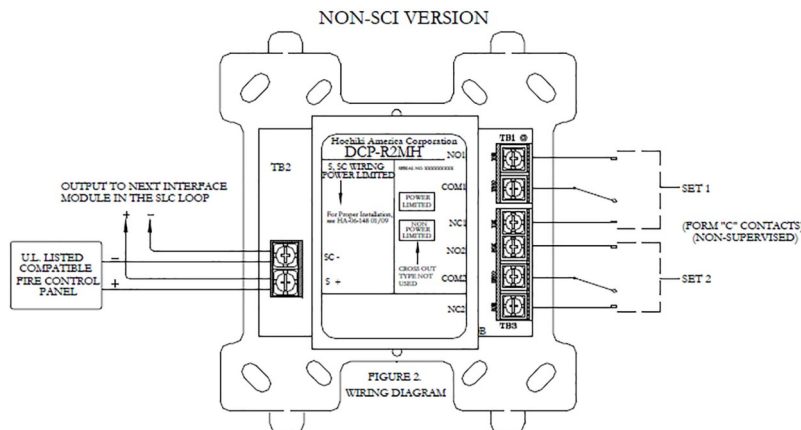
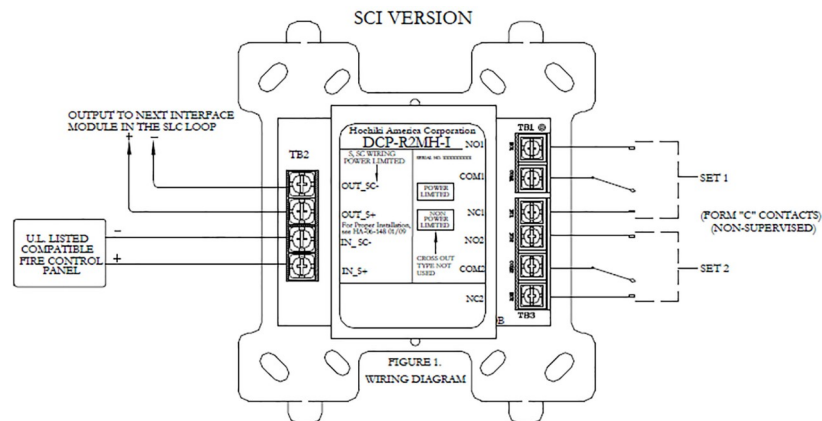


Back side of DCP-R2ML



Back side of DCP-R2ML-I

WIRING DIAGRAM





**CALIFORNIA DEPARTMENT OF FORESTRY & FIRE PROTECTION
OFFICE OF THE STATE FIRE MARSHAL
FIRE ENGINEERING & INVESTIGATIONS DIVISION
BUILDING MATERIALS LISTING PROGRAM**

LISTING SERVICE

LISTING No.:	7300-0410:0150
CATEGORY:	7300 - FIRE ALARM CONTROL UNIT ACCESSORIES/MISC. DEVICES
LISTEE:	Hochiki America Corporation 7051 Village Drive, Ste. 100, Buena Park, CA, 90621 Contact: Hem, Ravi (800) 403-7029 Email: rhem@hochiki.com



**CALIFORNIA DEPARTMENT OF FORESTRY & FIRE PROTECTION
 OFFICE OF THE STATE FIRE MARSHAL
 FIRE ENGINEERING & INVESTIGATIONS DIVISION
 BUILDING MATERIALS LISTING PROGRAM**

LISTING SERVICE

<p>DESIGN:</p>	<p>Control Unit Accessories Models:</p> <p>DCP-RM, DCP-R2M, FFO-2RM; Analog Relay Module</p> <p>DCP-SCI, FFO-SCIM; Short Circuit Isolator</p> <p>DCP-FRCME, DCP-FRCME-M, DCP-FRCME-P, *DCP-FRCME-PI, FFO-MMP; Monitor Modules</p> <p>DCP-FRCME-S, DCP-FRCME-4, FFO-MM4; Monitor Modules</p> <p>DCP-FRCME-S-100, DCP-FRCME-4-100; Monitor Modules</p> <p>DCP-SOM, FFO-OM; Supervised Output Module</p> <p>DCP-SRM; Solenoid Releasing Module</p> <p>DCP-DIMM, FFO-2MM; Dual Input Monitor Module</p> <p>DCP-CZM, FFO-ZM; Conventional Zone Module</p> <p>DCP-SOM-A; Supervised Output Module</p> <p>DCP-SOM-R; Supervised Output Module Release</p> <p>DCP-SOM-AI; Supervised Output Module with Integrated SCI</p> <p>DCP-FRCMA; Input Module Box Mount</p> <p>DCP-FRCMA-I; Input Module Box Mount with Integrated SCI</p> <p>DCP-R2MH; Dual Relay Module, 2 amps @ 30VDC</p> <p>DCP-R2MH-I; Dual Relay Module, 2 amps @ 30VDC with Integrated SCI</p> <p>DCP-R2ML; Dual Relay Module, 8 amps @ 30VDC</p> <p>DCP-R2ML-I; Dual Relay Module, 8 amps @ 30VDC with Integrated SCI</p> <p>*DCP-CLIM-1, *DCP-CLIM-2 Current Loop Input Modules</p> <p>SOM-R-DS Key switch Disable Module</p> <p>Refer to listee's data sheet for additional detailed product description and operational considerations.</p>	
<p>RATING:</p>		



**CALIFORNIA DEPARTMENT OF FORESTRY & FIRE PROTECTION
OFFICE OF THE STATE FIRE MARSHAL
FIRE ENGINEERING & INVESTIGATIONS DIVISION
BUILDING MATERIALS LISTING PROGRAM**

LISTING SERVICE

INSTALLATION:	In accordance with listee's printed installation instructions, applicable codes & ordinances and in a manner acceptable to the authority having jurisdiction.
MARKING:	Listee's name, model number, electrical rating, and UL label.
APPROVAL:	Listed as control unit accessories for use with separately listed compatible fire alarm control units. Refer to listee's Installation Instruction Manual for details.
NOTES:	

*03-06-2018 dcc



This listing is based upon technical data submitted by the applicant. OSFM Fire Engineering staff has reviewed the test results and/or other data but does not make an independent verification of any claims. This listing is not an endorsement or recommendation of the item listed. This listing should not be used to verify correct operational requirements or installation criteria. Refer to listee's data sheet, installation instructions and/or other suitable information sources.

Date Issued: 03/05/2026

Listing Expires: 06/30/2027

Authorized By: **Michael Huang**, Program Coordinator
Fire Engineering & Investigations Division

GSS/GSPK Series

Ceiling/Wall Mount Selectable Candela Speaker/Strobe & Speaker

20 units per carton, 38 pounds per carton

Applications

The GSS/GSPK Commander 5 Series is an universal ceiling and wall mount speaker or speaker/strobe combination designed for audio and voice communications. The high fidelity speaker is tested to a wide frequency range of 315Hz to 5000Hz, exceeding the UL1480 requirements. The GSS/GSPK Series offers both dependable evacuation signaling and visual alarms or a combination of both.

The GSS speaker/strobe offers tamperproof field selectable strobe options of 15, 30, 75, 115, 150, and 177 candela. The strobe can be synchronized when used in conjunction with the Gentex GTSM Control Module. The unit can be mounted in a 4" square x 2-1/8" deep back box, an extension ring is not needed. The GSS/GSPK Series provides a 25 or 70.7 VRMS speaker with field selectable power taps of 1/8W, 1/4W, 1/2W, 1W, 2W or 4W.

Each Commander 5 Series GSS/GSPK includes a mounting plate incorporating the popular Super-Slide® feature that allows the installer to easily test for supervision. The product also features a locking mechanism which secures the product to the bracket without any screws showing. The Commander 5 also features the patented Checkmate® Instant Voltage Verification feature which allows the installer to check the voltage drop draw and match it to the blueprint.

The GSS/GSPK devices are listed to ANSI/UL 1638, ANSI/UL 1480 and CAN/ULC 526 and/or CAN/ULC 541 and warranted for 3 years from the date of purchase.

Standard Features

- Strobe nominal voltage 24 VDC
- Tamperproof field selectable candela options of 15, 30, 75, 115, 150 & 177
- Speaker/Strobe unit dimensions: 5.9" (14.9 cm) square x 3.4" (8.6 cm) deep
- Speaker unit dimensions: 5.9" (14.9 cm) square x 2.7" (6.8 cm) deep
- Speaker voltage 25 or 70.7 VRMS standard, field selectable
- Field selectable power taps: 1/8W, 1/4W, 1/2W, 1W, 2W, 4W
- High fidelity speaker
- Frequency range 315-5000Hz
- Super-Slide® Bracket, Ease of Supervision Testing
- Checkmate® Instant Voltage Verification
- Prewire entire system, install mounting bracket, then install speaker
- Documented lower installation and operating costs
- Mount to a standard 4" x 2-1/8" deep back box
- Input terminals 12 to 18 AWG
- Synchronize with the Gentex GTSM Control Module
- Faceplate available in red or white
- Universal wall/ceiling mount

GSS Ceiling/Wall Mount, Selectable Candela, Speaker/Strobe

Model	Part Number	Lettering
GSSR	904-1507-002	FIRE Text
GSSW	904-1508-002	FIRE Text
GSSAR	904-1509-002	ALERT Text
GSSAW	904-1510-002	ALERT Text
GSSPR	904-1511-002	Plain
GSSPW	904-1512-002	Plain

GSPK Ceiling/Wall Mount Speaker

Model	Part Number	Lettering
GSPKR	904-1457-002	Plain
GSPKW	904-1458-002	Plain

R = Red Faceplate, W = White Faceplate.

All units are available in P = plain (no lettering). Plain units are not returnable.

GSS Strobe Current Ratings (mA)

Candela	24 VDC (16 – 33 Volts)	
	UL Max	24 VDC
15	35 mA	28 mA
30	41 mA	34 mA
75	74 mA	55 mA
115	107 mA	76 mA
150	138 mA	98 mA
177	162 mA	117 mA

Speaker dBA @ 10 ft.

Input Watts	25 Volts	70.7 Volts
1/8	75 dBA	75 dBA
1/4	78 dBA	78 dBA
1/2	80 dBA	80 dBA
1	83 dBA	83 dBA
2	86 dBA	86 dBA
4	89 dBA	89 dBA



Product Listings



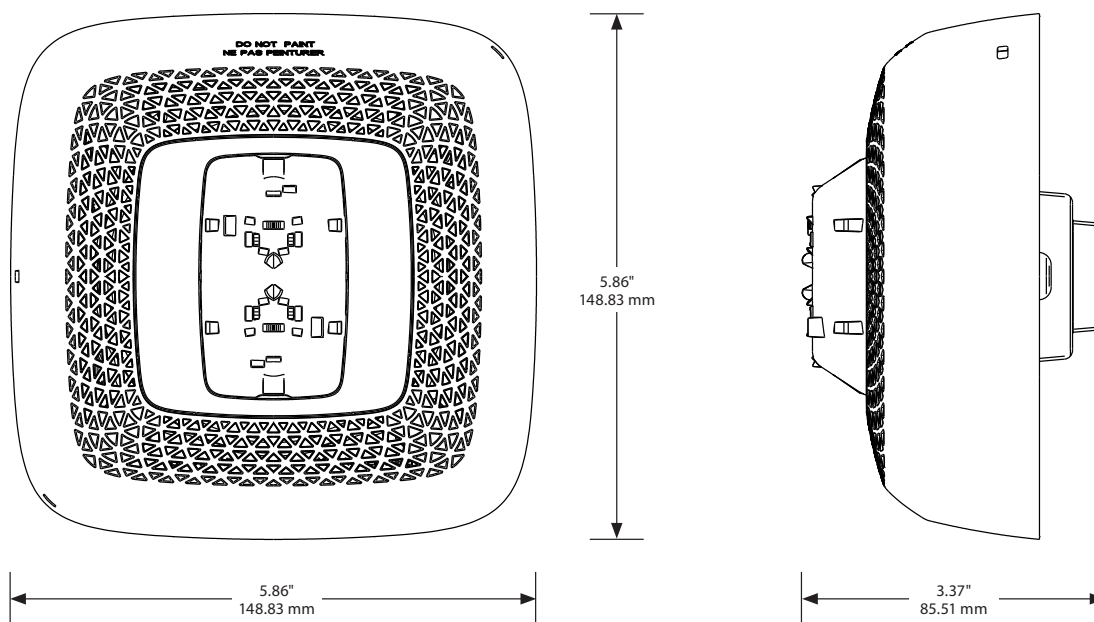
- ANSI/UL 1480, ANSI/UL 1638
- CAN/ULC 526 and/or CAN/ULC 541 Listed
- CSFM: Listed

Product Compliance

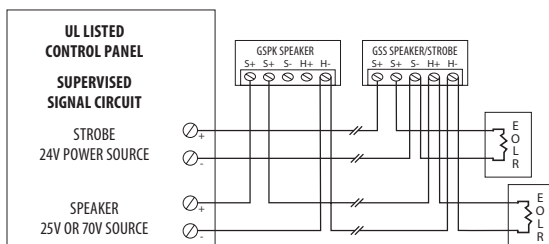
- Americans with Disabilities Act (ADA)
- NFPA 72
- IBC/IFC/IRC
- Quality Management System is certified to: ISO 9001:2015

GSS/GSPK Series

Ceiling/Wall Mount Selectable Candela Speaker/Strobe & Speaker



Wiring Diagram



Notes

- Operating temperature: 32° to 120°F (0° to 49°C)
- For nominal and peak current across ANSI/UL regulated voltage range for filtered DC power, see installation manual
- This appliance is not recommended for use on coded or pulsing signaling circuits

* MAX. WIRE DISTANCE (IN FEET) = $\frac{\text{PANEL VOLTAGE} - \text{DEVICE MINIMUM VOLTAGE}}{\text{TOTAL CURRENT DRAW}} \times \text{WIRE CONDUCTIVITY (STROBE ONLY)}$

Architect & Engineering Specifications

The fire alarm speaker and speaker/strobe shall be Gentex GSS/GSPK or approved equivalent and shall be listed by Underwriters Laboratories, Inc. (ANSI/UL) per ANSI/UL 1638, ANSI/UL 1480 and with CAN/ULC 526 and/or CAN/ULC 541 Listed. The speaker shall be capable of producing alarm tones or voice on all 25 or 70.7 VRMs audio systems. The speaker shall provide incremental tap settings of 1/8, 1/4, 1/2, 1, 2 or 4 watts. Minimum dBA rating at 1/4 watt shall be 78 dBA at 70.7 volts and a minimum dBA rating at 4 watts shall be 89 dBA at 70.7 volts. Tap settings shall be adjustable with field selectable jumper pins. The speaker also has a visual signal with an operating current of 35 mA or less at 24 VDC for the 15 Cd strobe circuit. The strobe appliance shall have an input voltage range of 16-33 volts with direct current power for 24 volt models. The visual signal shall have a 1 Hz flash rate regardless of input voltage. The unit shall be provided with a mounting bracket with terminals with barriers for input/output wiring and be able to mount to a 4" square x 2-1/8" deep box. The appliance shall be capable of test supervision without disconnecting wires, verify voltage without removing unit and be capable of mounting to a surface back box.

GENTEX
CORPORATION

Fire Protection Products Group | 600 North Centennial Street | Zeeland, MI 49464
fireprotection.gentex.com | Phone: 616.392.7195 | Toll-free: 800.436.8391

Important Notice: These materials have been prepared by Gentex Corporation ("Gentex") for informational purposes only, are necessarily summary, and are not purported to serve as legal advice and should not be used as such. Gentex makes no representations and warranties, express or implied, that these materials are complete and accurate, up-to-date, or in compliance with all relevant local, state and federal laws, regulations and rules. The materials do not address all legal considerations as there is inevitable uncertainty regarding interpretation of laws, regulations and rules and the application of such laws, regulations and rules to particular fact patterns. Each person's activities can differently affect the obligations that exist under applicable laws, regulations or rules. Therefore, these materials should be used only for informational purposes and should not be used as a substitute for seeking professional legal advice. Gentex will not be responsible for any action or failure to act in reliance upon the information contained in this material. Gentex Corporation reserves the right to make changes to the product data sheet at their discretion.



**CALIFORNIA DEPARTMENT OF FORESTRY & FIRE PROTECTION
OFFICE OF THE STATE FIRE MARSHAL
FIRE ENGINEERING & INVESTIGATIONS DIVISION
BUILDING MATERIALS LISTING PROGRAM**

LISTING SERVICE

LISTING No.:	7320-0569:0511
CATEGORY:	7320 - SPEAKERS
LISTEE:	Gentex Corporation 10985 Chicago Drive, Zeeland, MI, 49464 Contact: Bohn, Jim 6169313569 Email: jim.bohn@gentex.com
DESIGN:	<p>Models GSPK, GSS, GSSA, GSSB, GSSG, GSSR, GWSPK, GWSS, GWSSA, GWSSB, GWSSG, and GWSSR are wall/ceiling indoor or outdoor speakers or speaker/strobes depending on the model designation described below. Indoor models are suitable for use over a temperature range of 32°F to 122°F (0° to 50°C), and outdoor models are suitable for use over a temperature range of -40°F to 151°F (-40° to 66°C).</p> <p>Models with no "A/B/G/R" suffix indicate clear strobe lens.</p> <p>Models with "A" suffix indicate amber strobe lens.</p> <p>Models with "B", "G", or "R" suffix indicate blue, green or red strobe lens respectively are intended for private mode notification.</p> <p>Models with "W" indicates that the device is suitable for outdoor wet application and are intended for private mode notification.</p> <p>Models with "SPK" indicate that the device is a speaker only. Models with "SS" indicate that the device is a speaker/strobe.</p> <p>Only models GSPK, GSS, and GSSA are intended for fire alarm emergency notification, all other models are intended for private mode notification.</p> <p>All models may be followed by suffix A (alert) or P (plain-no text), followed by R or W (red or white housing).</p> <p>Refer to listee's data sheet for detailed product description and operational considerations.</p>
RATING:	<p>Regulated 24VDC (16-33 VDC)</p> <p>Clear lens strobe models: 15, 30, 75, 115, 150, or 177 cd</p> <p>Amber, Blue, or Green lens strobe models: 15, 30, 60, 75, 95, or 115 cd</p> <p>Red lens strobe models: 10, 15, 30, 45, 60, or 75 cd</p>
INSTALLATION:	In accordance with listee's printed installation instructions, NFPA 72, applicable codes and ordinances, and in a manner acceptable to the authority having jurisdiction.



**CALIFORNIA DEPARTMENT OF FORESTRY & FIRE PROTECTION
OFFICE OF THE STATE FIRE MARSHAL
FIRE ENGINEERING & INVESTIGATIONS DIVISION
BUILDING MATERIALS LISTING PROGRAM**

LISTING SERVICE

MARKING:	Listee's name, model number, electrical/candela rating, and UL label.
APPROVAL:	Listed as speaker/visual or speaker appliances for use with separately listed compatible fire alarm control units for fire alarm emergency notification or private mode notification. Models GSPK, and GWSPK speakers comply with the applicable requirements in UL 1480, 7th Edition. Models GSS, GSSA, GSSB, GSSG, GSSR, GWSS, GWSSA, GWSSB, GWSSG, and GWSSR speaker/strobes comply with the applicable requirements in UL 1480, 7th Edition, and UL 1638, 6th Edition. Refer to listee's Installation Instruction Manual for details.
NOTES:	

10-17-25 MH



This listing is based upon technical data submitted by the applicant. OSFM Fire Engineering staff has reviewed the test results and/or other data but does not make an independent verification of any claims. This listing is not an endorsement or recommendation of the item listed. This listing should not be used to verify correct operational requirements or installation criteria. Refer to listee's data sheet, installation instructions and/or other suitable information sources.

Date Issued: 05/10/2026

Listing Expires: 06/30/2027

Authorized By: **Michael Huang**, Program Coordinator
Fire Engineering & Investigations Division

GS/GHS Series

Ceiling/Wall Mount Selectable Candela Evacuation Signals

24 VDC Commander 5 Strobe and Horn/Strobe

20 Units per carton, 23 pounds per carton

Application

The GS/GHS Commander 5 Series is a universal ceiling and wall mount strobe or horn/strobe combination that offers dependable audible and visual alarms and low current consumption.

The GS/GHS offers tamperproof field-selectable strobe options of 15, 30, 75, 115, 150, and 177 candela. The GHS horn/strobe offers continuous or synchable temporal tones for mechanical, 2400Hz and chime as well as a non-synchable continuous whoop tone. All tones are easy for the professional to change in the field by using switches.

The Commander 5 Series comes standard with the 4" mounting plate which incorporates the popular Super-Slide® feature that allows the installer to easily test for supervision. The product also features a locking mechanism which secures the product to the bracket without any screws showing. The Commander 5 also features the patented Checkmate® Instant Voltage Verification feature which allows the installer to check the voltage drop draw and match it to the blueprint.

The GS/GHS are ANSI/UL 464, ANSI/UL 1638, CAN/ULC 525 and/or CAN/ULC 526 listed for use with fire protective systems and are warranted for three years from the date of purchase.

Standard Features

- Nominal Voltage 24 VDC
- Tamperproof field-selectable candela options of 15, 30, 75, 115, 150 & 177
- Unit dimensions: 5.91" (15.0 cm) x 5.91" (15.0 cm) x 2.56" (6.5 cm)
- Super-Slide® Bracket, Ease of Supervision Testing
- Checkmate® Instant Voltage Verification
- Prewire entire system, install mounting bracket, then install signals
- Documented lower installation and operating costs
- Input terminals 12 to 18 AWG
- Horn/strobe switch selection for high or low dBA
- Horn/strobe switch selection for continuous or temporal 2400Hz, mechanical or chime tones
- Horn/strobe switch selection for continuous whoop tone
- Synchable horn/strobe for all temporal tones using Gentex GTSM Control Module
- Continuous whoop tone is not synchable using Gentex GTSM Control Module
- Temporal 4 tone available when using Gentex GTSM Control Module
- Silence audible signal while visual appliance will remain flashing with Gentex GTSM Control Module
- Tamperproof re-entrant grille
- Surface mount with the GBB Indoor Back Box
- Faceplate available in red or white
- Universal wall/ceiling mount



Product Listings



- ANSI/UL 464 and ANSI/UL 1638 Listed
- CAN/ULC 525 and/or CAN/ULC 526 Listed
- CSFM: Listed

Patents

- 7,375,617 May 20, 2008

Product Compliance

- NFPA 72
- Americans with Disabilities Act (ADA)
- IBC/IFC/IRC
- City & State ordinances/Laws/Regulations
- Quality Management System is certified to: ISO 9001:2015

Product Models

GS 24VDC Selectable Candela, Low Profile Evacuation Strobe

Model	Part Number	Voltage (VDC)	Candela
GSR	904-0627-002	24	15, 30, 75, 115, 150, 177
GSPR	904-1455-002	24	15, 30, 75, 115, 150, 177
GSW	904-0633-002	24	15, 30, 75, 115, 150, 177
GSPW	904-1456-002	24	15, 30, 75, 115, 150, 177

GHS 24VDC Selectable Candela, Low Profile Evacuation Horn/Strobe

Model	Part Number	Voltage (VDC)	Candela	ANSI/UL 464 Reverberant dBA @ 10ft
GHSR	904-1459-002	24	15, 30, 75, 115, 150, 177	64 – 88 dBA
GHSPR	904-1461-002	24	15, 30, 75, 115, 150, 177	64 – 88 dBA
GHSW	904-1460-002	24	15, 30, 75, 115, 150, 177	64 – 88 dBA
GHSPPW	904-1462-002	24	15, 30, 75, 115, 150, 177	64 – 88 dBA

R = Red Faceplate, W = White Faceplate.

All units are available in P = plain (no lettering). Plain units are not returnable.

Alert, Agent, Evac, Fuego, Feu, Alerte bezels available for order.

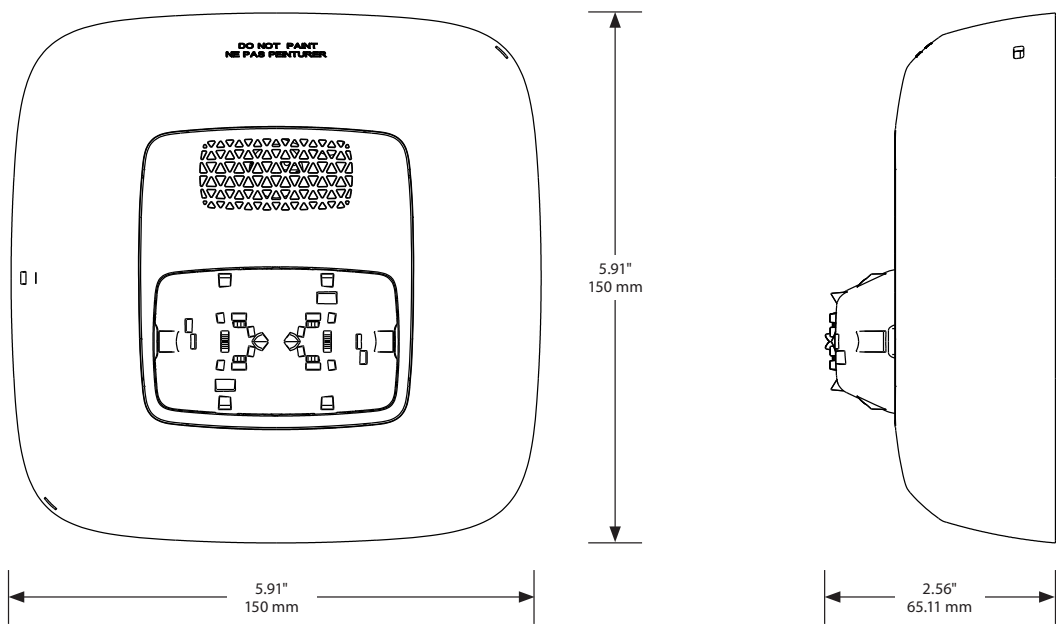
GS 24VDC Strobe Current Ratings

24 VDC (16-33 Volts)		
Candela	24 VDC	UL Max
15 Cd	28 mA	35 mA
30 Cd	34 mA	41 mA
75 Cd	55 mA	74 mA
115 Cd	76 mA	107 mA
150 Cd	98 mA	138 mA
177 Cd	117 mA	162 mA

GHS 24VDC Horn/Strobe Horn Decibel (dBA) and Current Ratings (mA)

Sound Settings		Current Draw (mA)										Sound Output dBA		
Horn Mode	Volume Setting	Regulated 24VDC Max. Operating Current UL Max Over Input Voltage Range of 16-33V						Nominal 24VDC Operating Current						Minimum SPL at 10ft. Per ANSI/UL 464 Reverberant
		15	30	75	115	150	177	15	30	75	115	150	177	
Mechanical - Temporal 3	High	40	44	80	111	143	166	33	33	61	82	104	126	86
Mechanical - Temporal 3	Low	40	43	77	110	141	163	29	29	57	79	100	121	77
Mechanical - Temporal 4	High	40	46	78	111	144	175	30	38	62	85	109	132	86
Mechanical - Temporal 4	Low	38	45	77	111	143	175	29	38	61	85	109	131	77
Mechanical - Continuous	High	42	48	79	113	142	167	39	45	65	86	108	128	86
Mechanical - Continuous	Low	40	43	76	108	139	163	33	39	58	81	102	123	77
2400Hz - Temporal 3	High	40	47	81	116	145	168	34	41	62	84	104	126	88
2400Hz - Temporal 3	Low	40	45	78	112	142	164	30	36	58	80	101	121	78
2400Hz - Temporal 4	High	40	47	79	111	143	175	32	40	63	86	110	132	88
2400Hz - Temporal 4	Low	39	46	78	111	143	174	30	39	62	85	109	131	78
2400Hz - Continuous	High	45	54	84	117	146	170	42	48	69	90	112	131	88
2400Hz - Continuous	Low	42	48	77	111	141	163	33	41	59	82	103	123	78
Chime - Temporal 3	High	42	45	78	111	142	164	32	39	59	81	104	124	71*
Chime - Temporal 3	Low	33	42	76	109	141	162	29	36	56	78	101	123	64*
Chime - 5 Second	High	39	47	78	111	144	176	30	39	62	86	110	130	71*
Chime - 5 Second	Low	40	46	78	110	143	175	30	38	60	84	109	130	64*
Chime - Continuous	High	44	46	79	112	140	162	34	40	61	81	105	126	71*
Chime - Continuous	Low	36	43	77	110	139	162	30	35	57	79	102	121	64*
Whoop	High	61	70	104	136	165	189	64	70	93	113	135	154	82*
Whoop	Low	39	48	82	115	144	167	37	45	66	87	111	131	69*

* These settings are acceptable for private mode fire alarm signaling use. Operating the horn in this mode at this voltage will result in not meeting ANSI/UL 464 sound requirements for public mode fire protection service.



Gentex Super-Slide® Mounting Bracket

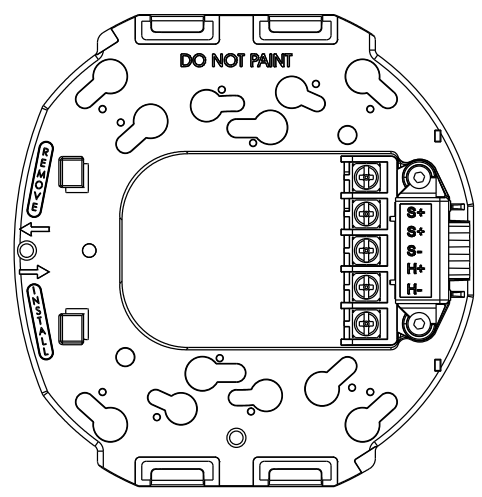
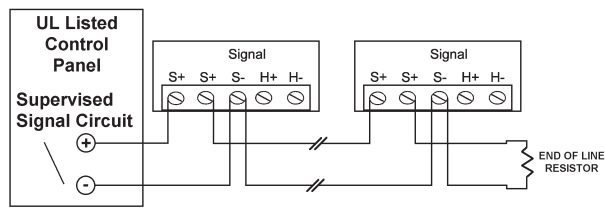
Allows the installer to prewire the system, test for system supervision, remove the signal head until occupancy, switch out Gentex signals without changing mounting brackets and has locking edge connector for snap-in-place installation.

Gentex Checkmate® Instant Voltage Verification

It is often necessary to confirm the voltage drop along a line of devices. The access holes are provided in the back of the terminal block to allow the voltage to be measured directly without removing the device. Typically this would be done at the end of the line to confirm design criteria. Most measurements will be taken using the S+ and S- locations although access is provided to other locations. Notice: Care should be taken to not short the test probes.

Notes

- Operating temperature: 32° to 120°F (0° to 49°C)
- The GS/GHS Series is not listed for outdoor use
- For nominal and peak current across ANSI/UL regulated voltage range for filtered DC power, see installation manual
- This appliance is not recommended for use on coded or pulsing signaling circuits
- The four pulse temporal pattern (temporal 4) can only be obtained on this product when used in conjunction with the Gentex GTSM Synchronization Control Module
- See GTSM Control Module manual (550-0632, manual issue date 02-01-15) for Synchronization Control Module wiring diagrams. GTSM manual can be obtained at fireprotection.gentex.com, or call Gentex Corporation at 1-800-436-8391



GS/GHS Series

Ceiling/Wall Mount Selectable Candela Evacuation Signals

Architect & Engineering Specifications

The audible and/or visible signal shall be Gentex model GS or GHS or approved equal and shall be listed by Underwriters Laboratories (ANSI/UL) for use with fire protective signaling systems (ANSI/UL 1638 and/or ANSI/UL 464) and with CAN/ULC 526 and/or CAN/ULC 525 with intended use in fire alarm systems. The notification appliance (GHS) shall produce a peak sound output of 88 dBA or greater as measured at 24 VDC in a reverberant room and shall also have the capability to silence the audible signal while leaving the visible signal energized with the use of a single pair of power wires. Additionally, the user shall be able to select either continuous or temporal tone output with the temporal signal having the ability to be synchronized. The visual signal shall have a 1 Hz flash rate regardless of input voltage. The strobe appliance shall have an operating current of 35mA or less at 24 VDC for the 15 candela strobe circuit. The unit shall be polarized to allow for electrical supervision of the system wiring. The unit shall be provided with a mounting bracket with terminals with barriers for input/output wiring and be able to mount to a single gang or double gang box or double workbox with the use of an adapter plate. The GS or GHS Series shall be mounted on the wall or ceiling. The unit shall have an input voltage range of 16-33 volts with direct current power. The appliance shall be capable of test supervision without disconnecting wires, verify voltage without removing the unit and be capable of mounting to a surface back box.



Fire Protection Products Group | 600 North Centennial Street | Zeeland, MI 49464
fireprotection.gentex.com | Phone: 616.392.7195 | Toll-free: 800.436.8391

Important Notice: These materials have been prepared by Gentex Corporation ("Gentex") for informational purposes only, are necessarily summary, and are not purported to serve as legal advice and should not be used as such. Gentex makes no representations and warranties, express or implied, that these materials are complete and accurate, up-to-date, or in compliance with all relevant local, state and federal laws, regulations and rules. The materials do not address all legal considerations as there is inevitable uncertainty regarding interpretation of laws, regulations and rules and the application of such laws, regulations and rules to particular fact patterns. Each person's activities can differently affect the obligations that exist under applicable laws, regulations or rules. Therefore, these materials should be used only for informational purposes and should not be used as a substitute for seeking professional legal advice. Gentex will not be responsible for any action or failure to act in reliance upon the information contained in this material. Gentex Corporation reserves the right to make changes to the product data sheet at their discretion.



**CALIFORNIA DEPARTMENT OF FORESTRY & FIRE PROTECTION
 OFFICE OF THE STATE FIRE MARSHAL
 FIRE ENGINEERING & INVESTIGATIONS DIVISION
 BUILDING MATERIALS LISTING PROGRAM**

LISTING SERVICE

LISTING No.:	7300-0569:0510
CATEGORY:	7300 - FIRE ALARM CONTROL UNIT ACCESSORIES/MISC. DEVICES
LISTEE:	Gentex Corporation 10985 Chicago Drive, Zeeland, MI, 49464 Contact: Bohn, Jim 6169313569 Email: jim.bohn@gentex.com
DESIGN:	<p>Models GS, GSA, GSB, GSG, GSR; GHS, GHS, GHSA, GHSG, GHSR; GWS, GWSA, GWSB, GWSG, GWSR; GWHS, GWHSA, GWHSB, GWHSG, GWHSR are wall/ceiling indoor or outdoor strobes or horn/strobes depending on the model designation described below. Indoor models are suitable for use over a temperature range of 32°F to 122°F (0° to 50°C), and outdoor models are suitable for use over a temperature range of -40°F to 151°F (-40° to 66°C).</p> <p>Models with no "A/B/G/R" suffix indicate clear strobe lens.</p> <p>Models with "A" suffix indicate amber strobe lens.</p> <p>Models with "B", "G", or "R" suffix indicate blue, green or red strobe lens respectively are intended for private mode notification.</p> <p>Models with "W" indicates that the device is suitable for outdoor wet application and are intended for private mode notification.</p> <p>Models with "S" indicate that the device is a strobe only. Models with "HS" indicate that the device is a horn/strobe.</p> <p>Only models GS, GSA, GHS, and GHSA are intended for fire alarm emergency notification, all other models are intended for private mode notification.</p> <p>Additionally, all models may be followed by suffix P (plain-no text) or C (Chinese), followed by R or W (red or white housing).</p> <p>Refer to listee's data sheet for detailed product description and operational considerations.</p>
RATING:	<p>Regulated 24VDC (16-33 VDC)</p> <p>Clear lens strobe models: 15, 30, 75, 115, 150, or 177 cd</p> <p>Amber, Blue, or Green lens strobe models: 15, 30, 60, 75, 95, or 115 cd</p> <p>Red lens strobe models: 10, 15, 30, 45, 60, or 70 cd</p>
INSTALLATION:	In accordance with listee's printed installation instructions, NFPA 72, applicable codes and ordinances, and in a manner acceptable to the authority having jurisdiction.



**CALIFORNIA DEPARTMENT OF FORESTRY & FIRE PROTECTION
OFFICE OF THE STATE FIRE MARSHAL
FIRE ENGINEERING & INVESTIGATIONS DIVISION
BUILDING MATERIALS LISTING PROGRAM**

LISTING SERVICE

MARKING:	Listee's name, model number, electrical/candela rating, and UL label.
APPROVAL:	Listed as horn/strobes or strobes appliances for use with separately listed compatible fire alarm control units for fire alarm emergency notification or private mode notification. Models GS, GSA, GSB, GSG, GSR; GWS, GWSA, GWSB, GWSG, and GWSR strobes comply with the applicable requirements in UL 1638, 6th Edition. Models GHS, GHSA, GHSB, GHSG, GHSR; GWHS, GWHSA, GWHSB, GWHSG, and GWHSR horn/strobes comply with the applicable requirements in UL 464, 11th Edition, and UL 1638, 6th Edition. Refer to listee's Installation Instruction Manual for details.
NOTES:	

10-17-25 MH



This listing is based upon technical data submitted by the applicant. OSFM Fire Engineering staff has reviewed the test results and/or other data but does not make an independent verification of any claims. This listing is not an endorsement or recommendation of the item listed. This listing should not be used to verify correct operational requirements or installation criteria. Refer to listee's data sheet, installation instructions and/or other suitable information sources.

Date Issued: 05/10/2026

Listing Expires: 06/30/2027

Authorized By: **Michael Huang**, Program Coordinator
Fire Engineering & Investigations Division

GWSS/GWSPK Series

Outdoor Ceiling/Wall Mount Selectable Candela Speaker/Strobe & Speaker

8 Units per carton, 23 pounds per carton

Applications

The GWSS/GWSPK Commander 5 Series is an outdoor universal ceiling and wall mount speaker or speaker/strobe combination designed for audio and voice communications. The high fidelity speaker is tested to a wide frequency range of 315Hz to 5000Hz, exceeding the UL1480 requirements. The GWSS/GWSPK Series offers both dependable evacuation signaling and visual alarms or a combination of both.

The GWSS speaker/strobe offers tamperproof field selectable strobe options of 15, 30, 75, 115, 150, and 177 candela. The strobe can be synchronized when used in conjunction with the Gentex GTSM Control Module. The GWSS/GWSPK Series provides a 25 or 70.7 VRMS speaker with field selectable power taps of 1/8W, 1/4W, 1/2W, 1W, 2W or 4W.

Included with the GWSS/GWSPK Series is the outdoor listed back box and weatherproof cover. Using the weatherproof cover and back box with the GWSS/GWSPK Series provides protection from weather related conditions and allows the necessary full candela output.

Each Commander 5 Series GWSS/GWSPK includes a mounting plate incorporating the popular Super-Slide® feature that allows the installer to easily test for supervision. The product also features a locking mechanism which secures the product to the bracket without any screws showing. The Commander 5 also features the patented Checkmate® instant voltage verification feature which allows the installer to check the voltage drop draw and match it to the blueprint.

The GWSS/GWSPK devices are listed to ANSI/UL 1480, ANSI/UL 1638 and CAN/ULC 541 and/or CAN/ULC 526 and warranted for 3 years from the date of purchase.

Standard Features

- GWSS nominal strobe voltage 24 VDC
- Tamperproof field selectable candela options of 15, 30, 75, 115, 150 & 177
- Unit dimensions: 6.76" (17.16 cm) x 6.50" (16.51 cm) x 4.83" (12.26 cm)
- GWSS/GWSPK shipped with outdoor listed backbox and weatherproof cover
- Speaker voltage 25 or 70.7 VRMS standard, field selectable
- Field selectable power taps: 1/8W, 1/4W, 1/2W, 1W, 2W, 4W
- High fidelity speaker. Frequency range 315-5000Hz
- Super-Slide® Bracket, Ease of Supervision Testing
- Checkmate® Instant Voltage Verification
- Rewire entire system, install mounting bracket, then install speaker
- Lower installation and operating costs
- Mount to a standard 4" x 2-1/8" deep back box
- Input terminals 12 to 18 AWG
- Synchronize strobe with the Gentex GTSM Control Module
- Weatherproof cover made of clear Lexan® provides maximum visibility and reliability for effective visible signaling
- Weatherproof enclosure provides an ingress protection rating of 54 (IP54) Category 2
- Available in red or white
- Universal wall/ceiling mount

GWSS Ceiling/Wall Mount, Selectable Candela, Speaker/Strobe

Model	Part Number	Lettering
GWSSR	904-1559-002	FIRE Text
GWSSW	904-1560-002	FIRE Text
GWSSAR	904-1561-002	ALERT Text
GWSSAW	904-1562-002	ALERT Text
GWSSPR	904-1563-002	Plain
GWSSPW	904-1564-002	Plain

GWSPK Ceiling/Wall Mount Speaker

Model	Part Number	Lettering
GWSPKR	904-1551-002	Plain
GWSPKW	904-1552-002	Plain

R = Red Faceplate, W = White Faceplate.

All units are available in P = plain (no lettering). Plain units are not returnable.

GWSS Strobe Current Ratings (mA)

Candela	24 VDC (16 – 33 Volts)	
	UL Max	24 VDC
15	35 mA	28 mA
30	41 mA	34 mA
75	74 mA	55 mA
115	107 mA	76 mA
150	138 mA	98 mA
177	162 mA	117 mA

Speaker dBA @ 10 ft.

Input Watts	25 Volts	70.7 Volts
1/8	73 dBA	73 dBA
1/4	76 dBA	76 dBA
1/2	78 dBA	78 dBA
1	81 dBA	81 dBA
2	84 dBA	84 dBA
4	87 dBA	87 dBA



Product Listings



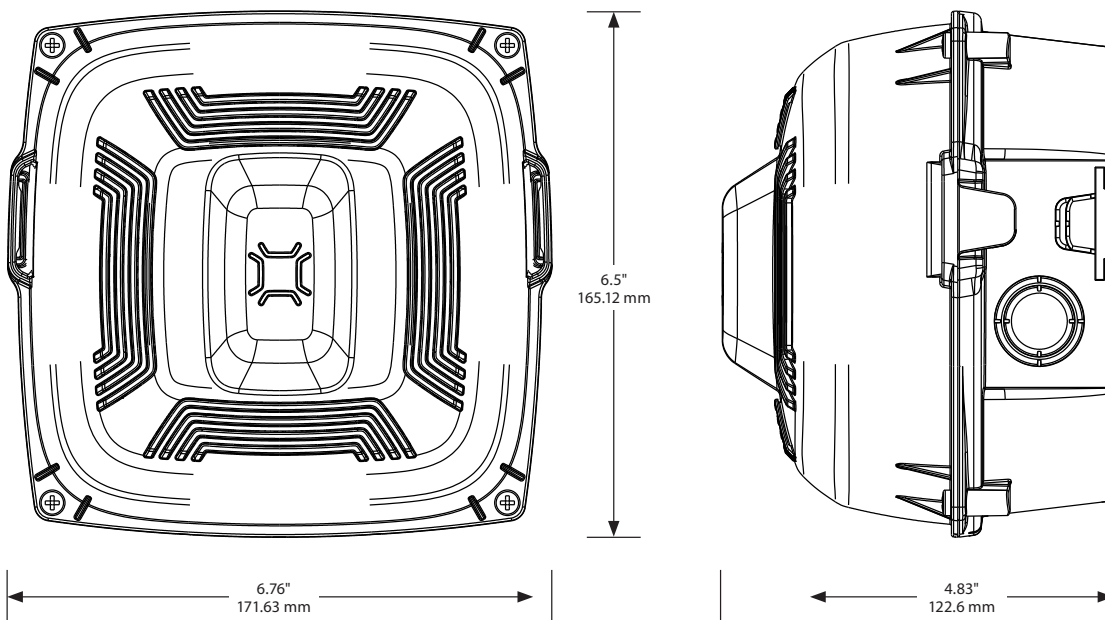
- ANSI/UL 1480, ANSI/UL 1638
- CAN/ULC 526 and/or CAN/ULC 541 Listed
- CSFM: Listed

Product Compliance

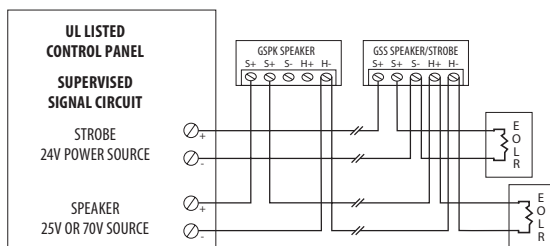
- Americans with Disabilities Act (ADA)
- NFPA 72
- IBC/IFC/IRC
- Quality Management System is certified to: ISO 9001:2015

GWSS/GWSPK Series

Outdoor Ceiling/Wall Mount Selectable Candela Speaker/Strobe & Speaker



Wiring Diagram



Notes

- Indoor operating temperature: 32° to 120°F (0° to 49°C)
- Outdoor operating temperature: 40 to 150F (-40 to 66C)
- The GWSS/GWSPK series is listed for outdoor use
- For nominal and peak current across ANSI/UL regulated voltage range for filtered DC power, see installation manual
- This appliance is not recommended for use on coded or pulsing signaling circuits

* MAX. WIRE DISTANCE (IN FEET) = $\frac{\text{PANEL VOLTAGE} - \text{DEVICE MINIMUM VOLTAGE}}{\text{TOTAL CURRENT DRAW}} \times \text{WIRE CONDUCTIVITY (STROBE ONLY)}$

Architect & Engineering Specifications

The fire alarm speaker and speaker/strobe shall be Gentex GWSS/GWSPK or approved equivalent and shall be listed by Underwriters Laboratories, Inc. (ANSI/UL) per ANSI/UL 1638, ANSI/UL 1480 and with CAN/ULC 526 and/or CAN/ULC 541. The speaker shall be capable of producing alarm tones or voice on all 25 or 70.7 VRMs audio systems. The speaker shall provide incremental tap settings of 1/8, 1/4, 1/2, 1, 2 or 4 watts. Minimum dBA rating at 1/4 watt shall be 76 dBA at 70.7 volts and a minimum dBA rating at 4 watts shall be 87 dBA at 70.7 volts. Tap settings shall be adjustable with field selectable jumper pins. The speaker also has a visual signal with an operating current of 35 mA or less at 24 VDC for the 15 Cd strobe circuit. The strobe appliance shall have an input voltage range of 16-33 volts direct current power for 24 VDC models. The visual signal shall have a 1 Hz flash rate regardless of input voltage. The unit shall be provided with a mounting bracket with terminals with barriers for input/output wiring, a weatherproof cover and an outdoor listed backbox. The appliance has an extended temperature range of -40 to 150F (-40 to 66C) and shall satisfy virtually all outdoor and severe environment applications. The weatherproof cover includes a gasket that must be inserted between the weatherproof cover and device. The included drain holes in the back box to allow for drainage. The seal on the waterproof cover is not water tight.



Fire Protection Products Group | 600 North Centennial Street | Zeeland, MI 49464
 fireprotection.gentex.com | Phone: 616.392.7195 | Toll-free: 800.436.8391

Important Notice: These materials have been prepared by Gentex Corporation ("Gentex") for informational purposes only, are necessarily summary, and are not purported to serve as legal advice and should not be used as such. Gentex makes no representations and warranties, express or implied, that these materials are complete and accurate, up-to-date, or in compliance with all relevant local, state and federal laws, regulations and rules. The materials do not address all legal considerations as there is inevitable uncertainty regarding interpretation of laws, regulations and rules and the application of such laws, regulations and rules to particular fact patterns. Each person's activities can differently affect the obligations that exist under applicable laws, regulations or rules. Therefore, these materials should be used only for informational purposes and should not be used as a substitute for seeking professional legal advice. Gentex will not be responsible for any action or failure to act in reliance upon the information contained in this material. Gentex Corporation reserves the right to make changes to the product data sheet at their discretion.



**CALIFORNIA DEPARTMENT OF FORESTRY & FIRE PROTECTION
OFFICE OF THE STATE FIRE MARSHAL
FIRE ENGINEERING & INVESTIGATIONS DIVISION
BUILDING MATERIALS LISTING PROGRAM**

LISTING SERVICE

LISTING No.:	7320-0569:0511
CATEGORY:	7320 - SPEAKERS
LISTEE:	Gentex Corporation 10985 Chicago Drive, Zeeland, MI, 49464 Contact: Bohn, Jim 6169313569 Email: jim.bohn@gentex.com
DESIGN:	<p>Models GSPK, GSS, GSSA, GSSB, GSSG, GSSR, GWSPK, GWSS, GWSSA, GWSSB, GWSSG, and GWSSR are wall/ceiling indoor or outdoor speakers or speaker/strobes depending on the model designation described below. Indoor models are suitable for use over a temperature range of 32°F to 122°F (0° to 50°C), and outdoor models are suitable for use over a temperature range of -40°F to 151°F (-40° to 66°C).</p> <p>Models with no "A/B/G/R" suffix indicate clear strobe lens.</p> <p>Models with "A" suffix indicate amber strobe lens.</p> <p>Models with "B", "G", or "R" suffix indicate blue, green or red strobe lens respectively are intended for private mode notification.</p> <p>Models with "W" indicates that the device is suitable for outdoor wet application and are intended for private mode notification.</p> <p>Models with "SPK" indicate that the device is a speaker only. Models with "SS" indicate that the device is a speaker/strobe.</p> <p>Only models GSPK, GSS, and GSSA are intended for fire alarm emergency notification, all other models are intended for private mode notification.</p> <p>All models may be followed by suffix A (alert) or P (plain-no text), followed by R or W (red or white housing).</p> <p>Refer to listee's data sheet for detailed product description and operational considerations.</p>
RATING:	<p>Regulated 24VDC (16-33 VDC)</p> <p>Clear lens strobe models: 15, 30, 75, 115, 150, or 177 cd</p> <p>Amber, Blue, or Green lens strobe models: 15, 30, 60, 75, 95, or 115 cd</p> <p>Red lens strobe models: 10, 15, 30, 45, 60, or 75 cd</p>
INSTALLATION:	In accordance with listee's printed installation instructions, NFPA 72, applicable codes and ordinances, and in a manner acceptable to the authority having jurisdiction.



**CALIFORNIA DEPARTMENT OF FORESTRY & FIRE PROTECTION
OFFICE OF THE STATE FIRE MARSHAL
FIRE ENGINEERING & INVESTIGATIONS DIVISION
BUILDING MATERIALS LISTING PROGRAM**

LISTING SERVICE

MARKING:	Listee's name, model number, electrical/candela rating, and UL label.
APPROVAL:	Listed as speaker/visual or speaker appliances for use with separately listed compatible fire alarm control units for fire alarm emergency notification or private mode notification. Models GSPK, and GWSPK speakers comply with the applicable requirements in UL 1480, 7th Edition. Models GSS, GSSA, GSSB, GSSG, GSSR, GWSS, GWSSA, GWSSB, GWSSG, and GWSSR speaker/strobes comply with the applicable requirements in UL 1480, 7th Edition, and UL 1638, 6th Edition. Refer to listee's Installation Instruction Manual for details.
NOTES:	

10-17-25 MH



This listing is based upon technical data submitted by the applicant. OSFM Fire Engineering staff has reviewed the test results and/or other data but does not make an independent verification of any claims. This listing is not an endorsement or recommendation of the item listed. This listing should not be used to verify correct operational requirements or installation criteria. Refer to listee's data sheet, installation instructions and/or other suitable information sources.

Date Issued: 05/10/2026

Listing Expires: 06/30/2027

Authorized By: **Michael Huang**, Program Coordinator
Fire Engineering & Investigations Division

PART NUMBER 728100

UL Listed and Rated Type FPLR Multi-Conductor Non-Shielded Non-Plenum Fire Alarm

■ 0275/0725 FT ● FIRE/LIFE SAFETY CONTROL CABLE INIT/IND DEVICE/ZONE ABCDE0123456789



CABLE SPECIFICATIONS

DESCRIPTION	16 AWG 2 Conductor Bare Copper, Twisted, Non-Shielded Non-Plenum Fire Alarm, FPLR (UL)
CONDUCTOR	16 (Solid Bare Copper)
INSULATION	PVC .010"
COLOR CODE	Black/Red
LAY LENGTH	3.5" LHL (approx. 3.4 TPF)
SHIELD	N/A
DRAIN WIRE	N/A
JACKET	PVC .018"
JACKET COLOR	Red Jacket
MARKING	FIRE/LIFE SAFETY CONTROL CABLE INIT. / IND. DEVICE / ZONE A B C D E 0 1 2 3 4 5 6 7 8 9 16 AWG FPLR (UL) 75C ROHS MADE IN THE USA
OVERALL DIAMETER	.178" Nom.
CABLE WEIGHT	29 Lbs/Mft.
CAPACITANCE	26 pF/Ft. Nom.
IMPEDANCE	72 Ohms
DC RESISTANCE	4.10 Ohms/Mft @ 20 deg. C
TEMPERATURE RATING	0 C to 75 C / 300 Volt

INDUSTRY STANDARDS

AGENCY APPROVALS NEC Article 760; FPLR (UL), RoHS Compliant, Made in the USA



All specifications referenced are nominal measurements unless otherwise noted.

PART NUMBER 728110VNQ

UL Listed and Rated Type TC, PLTC, FPL OR NPLF Multi-Conductor Non-Shielded Non-Plenum Cable

■ 0275/0725 FT ● WINDY CITY WIRE SUN RES A B C D E 0 1 2 3 4 5 6 7 8 9 SMARTWIRE WATER WARRIOR®



CABLE SPECIFICATIONS

DESCRIPTION	16 AWG 2 Conductor twisted Bare Copper, Non-Shielded with Water Block Tape and overall jacket. Inner Conductors are Thermoplastic Insulated, Nylon Sheathed, Heat, Oil & Gasoline Resistant 600 Volt TFFN Rated. Material suitable for underground use and indoor trays, "sunlight resistant". (Low voltage industrial process control circuits, Power-Limited circuits, Power-Limited fire alarm circuits, Power-Limited try cable PLTC)
CONDUCTOR	16 (19 Strand Bare Copper)
INSULATION	PVC with Nylon
COLOR CODE	Black/Red
SHIELD	N/A
DRAIN WIRE	N/A
JACKET	PVC .040" Nom.
JACKET COLOR	Black Jacket
MARKING	WINDY CITY WIRE A B C D E 0 1 2 3 4 5 6 7 8 9 16AWG (UL) TYPE TC-ER 600V 90C DRY 75C WET "DIR BUR" "SUN RES" PLTC, FPL OR NPLF MADE IN THE USA "SMARTWIRE WATERWARRIOR Â®"
OVERALL DIAMETER	.310" Nom.
CABLE WEIGHT	42 Lbs/Mft.
CAPACITANCE	34 pF/Ft. Nom.
IMPEDANCE	55 Ohms/Mft.
TEMPERATURE RATING	-20 C to 105 C / 600 Volt

INDUSTRY STANDARDS

AGENCY APPROVALS UL Standard 1277, UL 1424 Power limited fire alarm cables, UL 1425 Non-power limited fire alarm cables, UL 13 power limited circuit cables, NEC Articles 340, 725, 760, Made in the USA



All specifications referenced are nominal measurements unless otherwise noted.

PART NUMBER 723100

UL Listed and Rated Type FPLR Multi-Conductor Non-Shielded Non-Plenum Fire Alarm

■ 0275/0725 FT ● FIRE/LIFE SAFETY CONTROL CABLE INIT/IND DEVICE/ZONE ABCDE0123456789



CABLE SPECIFICATIONS

DESCRIPTION	12 AWG 2 Conductor Bare Copper, Non-Shielded Non-Plenum Fire Alarm, FPLR (UL)
CONDUCTOR	12 (Solid Bare Copper)
INSULATION	PVC .010"
COLOR CODE	Black/Red
LAY LENGTH	4.5" LHL (2.67 Twists per foot)
SHIELD	N/A
DRAIN WIRE	N/A
JACKET	PVC .018"
JACKET COLOR	Red Jacket
MARKING	FIRE/LIFE SAFETY CONTROL CABLE INIT. / IND. DEVICE / ZONE A B C D E 0 1 2 3 4 5 6 7 8 9 12 AWG FPLR (UL) 75C ROHS MADE IN THE USA
OVERALL DIAMETER	.238" Nom.
CABLE WEIGHT	61 Lbs/Mft.
CAPACITANCE	34 pF/Ft. Nom.
IMPEDANCE	52 Ohms
TEMPERATURE RATING	0 C to 75 C / 300 Volt

INDUSTRY STANDARDS

AGENCY APPROVALS NEC Article 760; FPLR (UL), RoHS Compliant, Made in the USA



All specifications referenced are nominal measurements unless otherwise noted.

PART NUMBER 723110VNQ

UL Listed and Rated Type TC, PLTC, FPL or NPLF Multi-Conductor Non-Shielded Non-Plenum



CABLE SPECIFICATIONS

DESCRIPTION	12 AWG 2 Conductor Bare Copper, Non-Shielded with Water Block Tape and overall jacket. Inner Conductors are Thermoplastic Insulated, Nylon Sheathed, Heat, Oil & Gasoline Resistant 600 Volt THHN Rated. Material suitable for underground use and indoor trays, "sunlight resistant". (Low voltage industrial process control circuits, Power-Limited circuits, Power-Limited fire alarm circuits, Power-Limited tray cable PLTC)
CONDUCTOR	12 (19 Strand Bare Copper)
INSULATION	PVC with Nylon
COLOR CODE	Black/Red
SHIELD	N/A
DRAIN WIRE	N/A
JACKET	PVC .040" Nom.
JACKET COLOR	Black Jacket
MARKING	WINDY CITY WIRE A B C D E 0 1 2 3 4 5 6 7 8 9 12AWG (UL) TYPE TC-ER 600V 90C DRY 75C WET "DIR BUR" "SUN RES" PLTC, FPL OR NPLF MADE IN THE USA "SMARTWIRE WATERWARRIOR A, A®"
OVERALL DIAMETER	.356" Nom.
CABLE WEIGHT	75 Lbs/Mft.
CAPACITANCE	30 pF/Ft. Nom.
IMPEDANCE	62 Ohms/Mft.
DC RESISTANCE	1.65 Ohms/1000ft @ 20 Degrees Celcius
TEMPERATURE RATING	-20 C to 105 C / 600 Volt

INDUSTRY STANDARDS

AGENCY APPROVALS UL Standard 1277, UL 1424 Power limited fire alarm cables, UL 1425 Non-power limited fire alarm cables, UL 13 power limited circuit cables, NEC Articles 340, 725, 760, Made in the USA



All specifications referenced are nominal measurements unless otherwise noted.

PART NUMBER 007920

UL Listed and Rated Type CL3P Multi-Conductor Shielded Plenum Cable



CABLE SPECIFICATIONS

DESCRIPTION	14 AWG 2 Conductor Bare Copper, Shielded Plenum, UL Listed (UL) CL3P
CONDUCTOR	14 (19/27 Bare Copper)
INSULATION	Low-Smoke PVC .008"
COLOR CODE	Black/White
SHIELD	Aluminum Mylar
DRAIN WIRE	22 AWG 7 Strand Tinned Copper
JACKET	Low-Smoke PVC .018"
JACKET COLOR	White Jacket
MARKING	SMARTWIRE DEVICE / ZONE A B C D E 0 1 2 3 4 5 6 7 8 9 14 AWG (UL) CL3P ROHS MADE IN THE USA
OVERALL DIAMETER	.210" Nom.
CABLE WEIGHT	44 Lbs/Mft.
CAPACITANCE	90 pF/Ft. Nom.
IMPEDANCE	21 Ohms
TEMPERATURE RATING	0 C to 75 C / 300 Volt

INDUSTRY STANDARDS

FLAME RATING	Approved For Plenum Use Without Conduit Per NFPA 262 Flame Test
AGENCY APPROVALS	NEC Article 800; UL Listed (UL) CL3P, RoHS Compliant, Made in the USA



All specifications referenced are nominal measurements unless otherwise noted.

PART NUMBER 712110VNQ

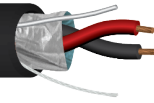
UL Listed and Rated Type TC, PLTC, NPLF or FPL Multi-Conductor Shielded Non-Plenum Cable

■ 0275/0725 FT ●

WINDY CITY WIRE

SUN RES

ABCDE0123456789



CABLE SPECIFICATIONS

DESCRIPTION	14 AWG 2 Conductor Bare Copper, Shielded with Water Block Tape and overall jacket. Inner Conductors are Thermoplastic Insulated, Nylon Sheathed, Heat, Oil & Gasoline Resistant 600 Volt THHN Rated. Material suitable for underground use and indoor trays, "sunlight resistant". (Low voltage industrial process control circuits, Power-Limited circuits, Power-Limited fire alarm circuits, Power-Limited tray cable PLTC)
CONDUCTOR	14 (19/29 Bare Copper)
INSULATION	PVC with Nylon
COLOR CODE	Black/Red
SHIELD	Aluminum Mylar
DRAIN WIRE	22 AWG 7 Strand Tinned Copper
JACKET	PVC .040"
JACKET COLOR	Black Jacket
MARKING	WINDY CITY WIRE A B C D E 0 1 2 3 4 5 6 7 8 9 14AWG (UL) TYPE TC-ER 600V 90C DRY 75C WET "DIR BUR" "SUN RES" PLTC, FPL OR NPLF MADE IN THE USA "SMARTWIRE WATERWARRIOR 3, 4, 5, 6, 7, 8, 9, 10, 11, 12, 13, 14, 15, 16, 17, 18, 19, 20, 21, 22, 23, 24, 25, 26, 27, 28, 29, 30, 31, 32, 33, 34, 35, 36, 37, 38, 39, 40, 41, 42, 43, 44, 45, 46, 47, 48, 49, 50, 51, 52, 53, 54, 55, 56, 57, 58, 59, 60, 61, 62, 63, 64, 65, 66, 67, 68, 69, 70, 71, 72, 73, 74, 75, 76, 77, 78, 79, 80, 81, 82, 83, 84, 85, 86, 87, 88, 89, 90, 91, 92, 93, 94, 95, 96, 97, 98, 99, 100"
OVERALL DIAMETER	.305" Nom.
CABLE WEIGHT	58 Lbs/Mft.
CAPACITANCE	36 pF/Ft. Nom.
IMPEDANCE	52 Ohms/Mft.
TEMPERATURE RATING	-20 C to 105 C / 600 Volt

INDUSTRY STANDARDS

AGENCY APPROVALS UL Standard 1277, UL 1424 Power limited fire alarm cables, UL 1425 Non-power limited fire alarm cables, UL 13 power limited circuit cables, NEC Articles 340, 725, 760, Made in the USA



All specifications referenced are nominal measurements unless otherwise noted.



**CALIFORNIA DEPARTMENT OF FORESTRY & FIRE PROTECTION
OFFICE OF THE STATE FIRE MARSHAL
FIRE ENGINEERING & INVESTIGATIONS DIVISION
BUILDING MATERIALS LISTING PROGRAM**

LISTING SERVICE

LISTING No.:	7161-1727:0100
CATEGORY:	7161 - CABLES-FIRE PROTECTIVE SIGNALING
LISTEE:	WINDY CITY WIRE CABLE AND TECHNOLOGY PRODUCTS LLC. 386 Internationale Drive, Ste H, Bolingbrook, IL, 60440 Contact: Martin, Mike (630) 633-4562 (630) 296-8101 Email: mmartin@smartwire.com
DESIGN:	Types FPLR and FPLP power limited fire protective signaling cables. Refer to listee's data sheet for detailed product description and operational considerations.
RATING:	
INSTALLATION:	In accordance with listee's printed installation instructions, applicable codes, NEC Article 760 and ordinances and in a manner acceptable to the authority having jurisdiction.
MARKING:	Listee's name, NEC rating and UL label.
APPROVAL:	Listed as power-limited fire protective signaling cables.
NOTES:	

08-05-2009 fm



This listing is based upon technical data submitted by the applicant. OSFM Fire Engineering staff has reviewed the test results and/or other data but does not make an independent verification of any claims. This listing is not an endorsement or recommendation of the item listed. This listing should not be used to verify correct operational requirements or installation criteria. Refer to listee's data sheet, installation instructions and/or other suitable information sources.

Date Issued: 05/28/2026

Listing Expires: 06/30/2027

Authorized By: **Michael Huang**, Program Coordinator
Fire Engineering & Investigations Division