

Donald W. Reno, AIA
Mark E. Russell, AIA
Carl G. Ebert, AIA
K. Barbara Hoffman, AIA
Kerren A. Kella, AIA
Jeffery P. Kossuth, AIA
Tommy W. Preston, AIA
Larry G. Wiegler, AIA

Renfro-Russell & Associates, Inc.
4400 Broadway Highway, Suite 204, Birmingham, Alabama 35202-3277
Tel: 205-988-1100
Fax: 205-988-1101

ED CRESWELL
STRUCTURAL ENGINEER
11000 WESTCHESTER DRIVE, SUITE 100
BIRMINGHAM, ALABAMA 35224
Tel: 205-988-1100
Fax: 205-988-1101

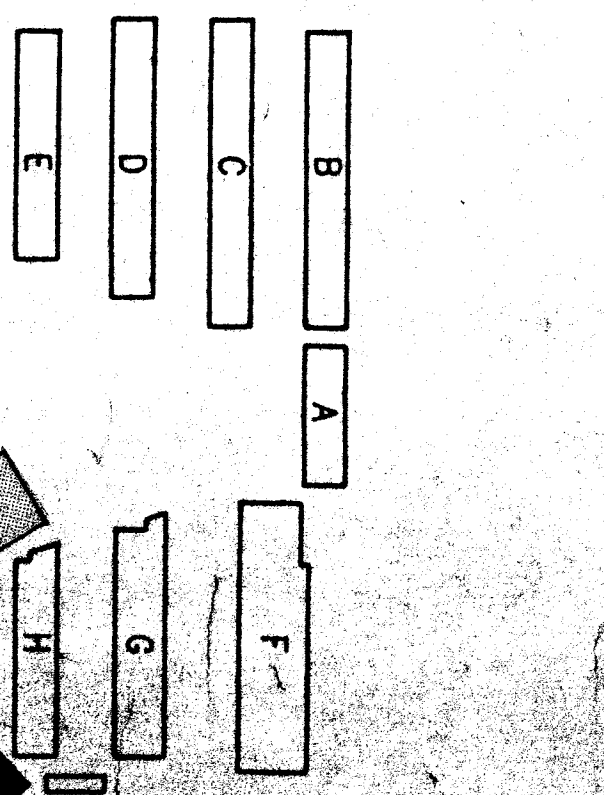
PROJECT

**BAKERSFIELD
CITY
SCHOOL
DISTRICT**

**WASHINGTON
JUNIOR HIGH
SCHOOL
MODERNIZATION**

THE ABOVE DRAWING AND SPECIFICATIONS ARE THE PROPERTY OF RENFRO-RUSSELL & ASSOCIATES, INC. AND SHALL REMAIN THE PROPERTY OF RENFRO-RUSSELL & ASSOCIATES, INC. WHETHER OR NOT THIS DRAWING IS LOANED TO ANY OTHER PARTY. NO PART OF THIS DRAWING OR SPECIFICATIONS SHALL BE REPRODUCED OR TRANSMITTED IN ANY FORM OR BY ANY MEANS, ELECTRONIC OR MECHANICAL, INCLUDING PHOTOCOPYING, RECORDING, OR BY ANY INFORMATION STORAGE AND RETRIEVAL SYSTEM, WITHOUT THE WRITTEN PERMISSION OF RENFRO-RUSSELL & ASSOCIATES, INC.

KEY PLAN



**BAKERSFIELD CITY SCHOOL DISTRICT
BOARD OF EDUCATION**

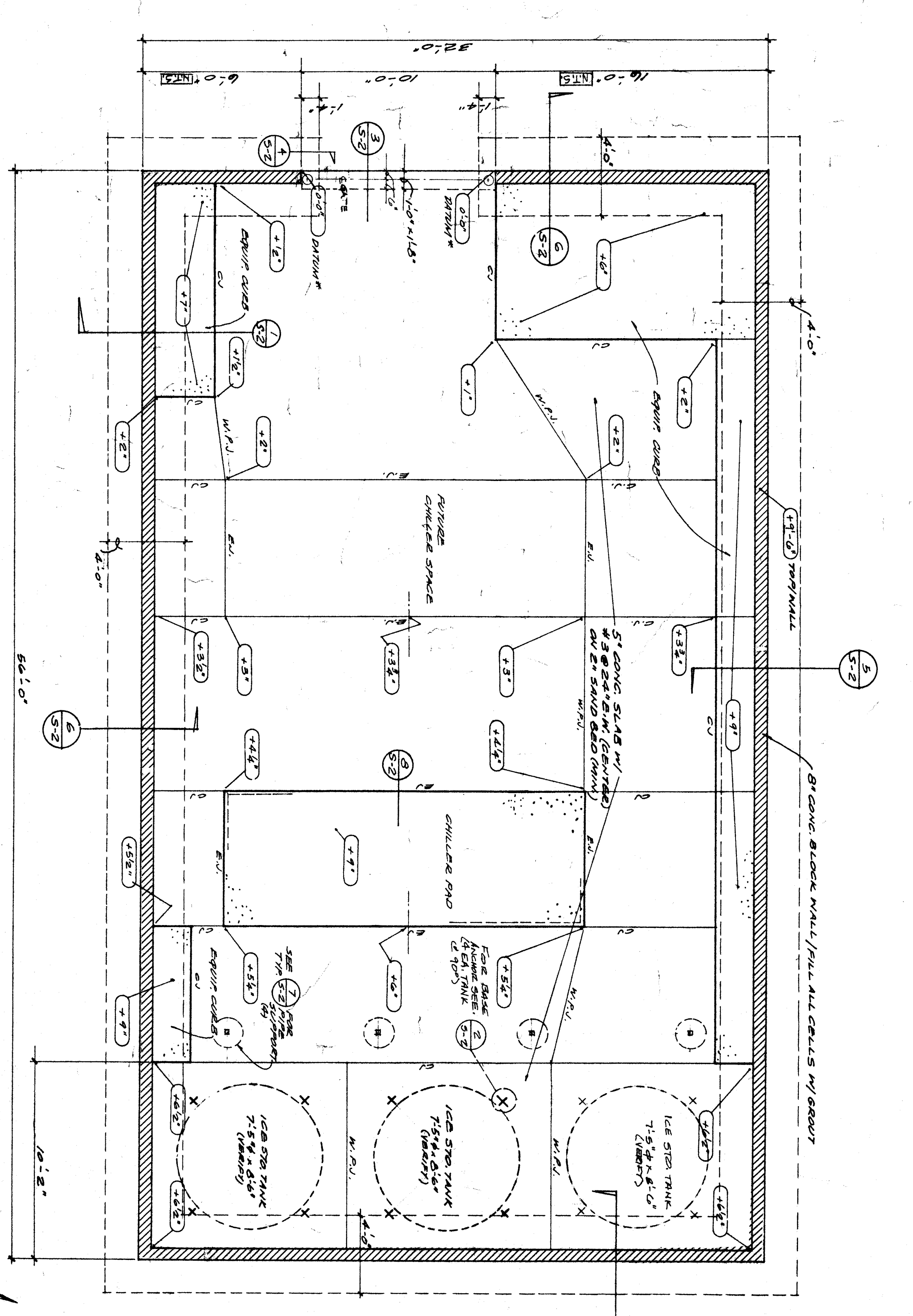
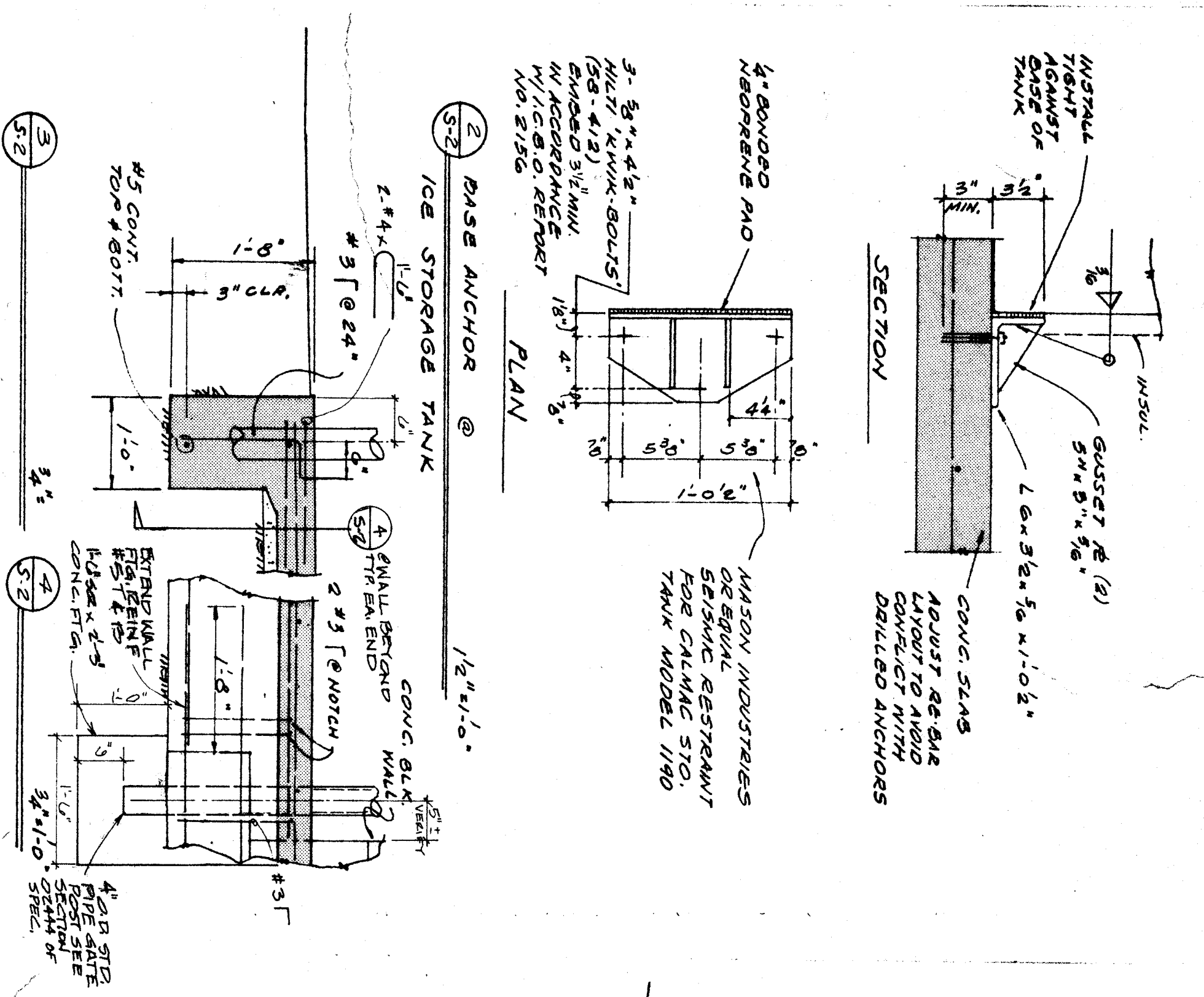
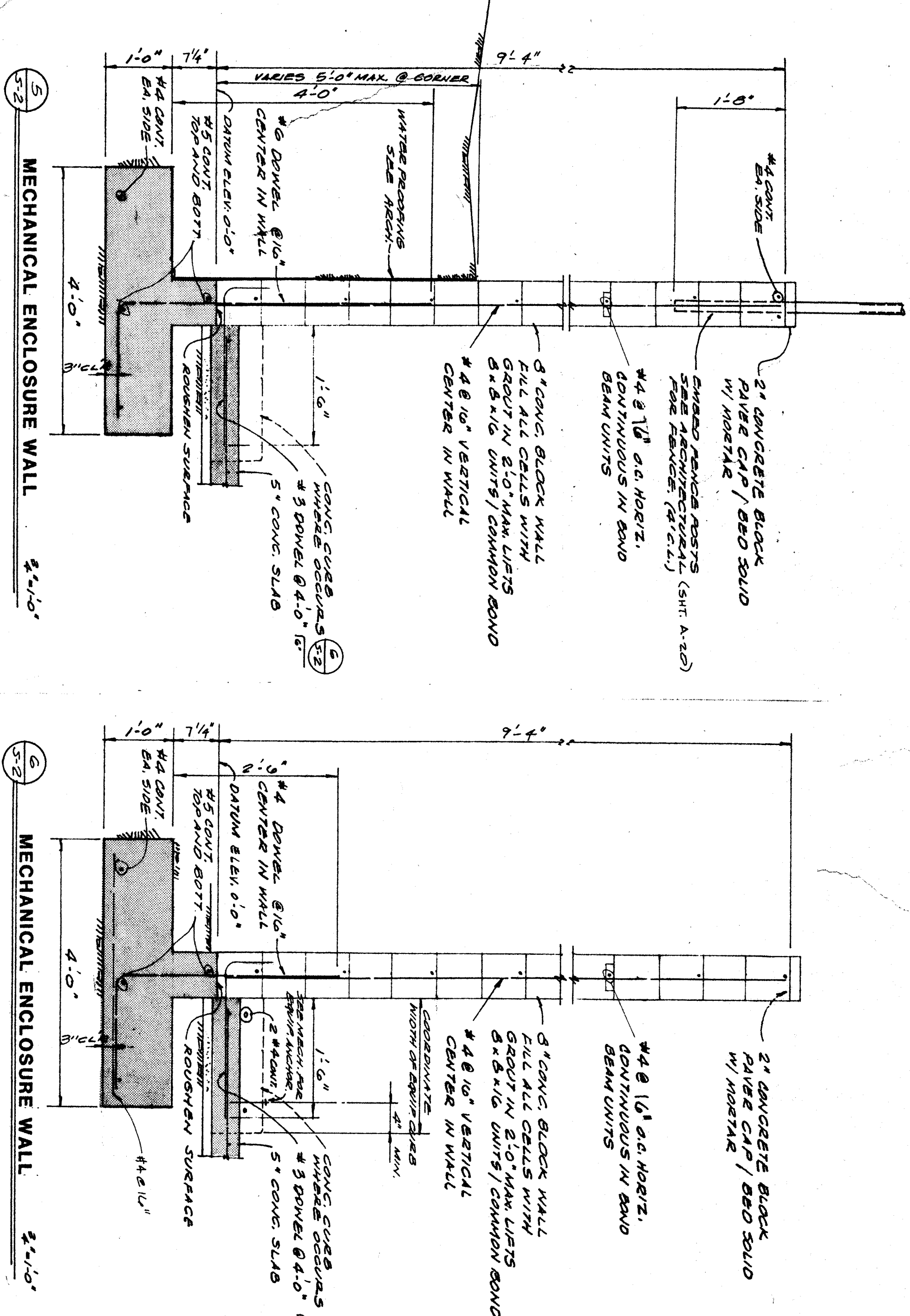
| DATE | APPROVED | DATE | REVISIONS |
|--------|-------------|--------|--------------------|
| 7-2-81 | [Signature] | 7-2-81 | ISSUED FOR BIDDING |

SHEET TITLE
MECHANICAL ENCLOSURE AND FOUNDATION PLAN 1/4" = 1'-0"

APPROVED ARCHITECT
[Signature]
DATE: 7-2-81
PROJECT NO. 75-114-1

DEPARTMENTAL STAMP
Department of General Services
Office of the Chief Architect
LET 1389
75-114-1

S-2
SHEETS



MECHANICAL ENCLOSURE AND FOUNDATION PLAN 1/4" = 1'-0"

FOUNDATION PLAN NOTES

1. INDICATES ELEVATION ABOVE (+) OR DEPTH BELOW (-) BOTTOM SLAB ELEVATION (0'-0"). INDICATES CONCRETE UNLESS NOTED.

2. B.F. SECTION () BOTTOM SLAB ELEVATION (0'-0").

3. C.I. CONSTRUCTION OR CONTROL JOINT.

4. M.P. J. WEAKENED PLANE JOINT.

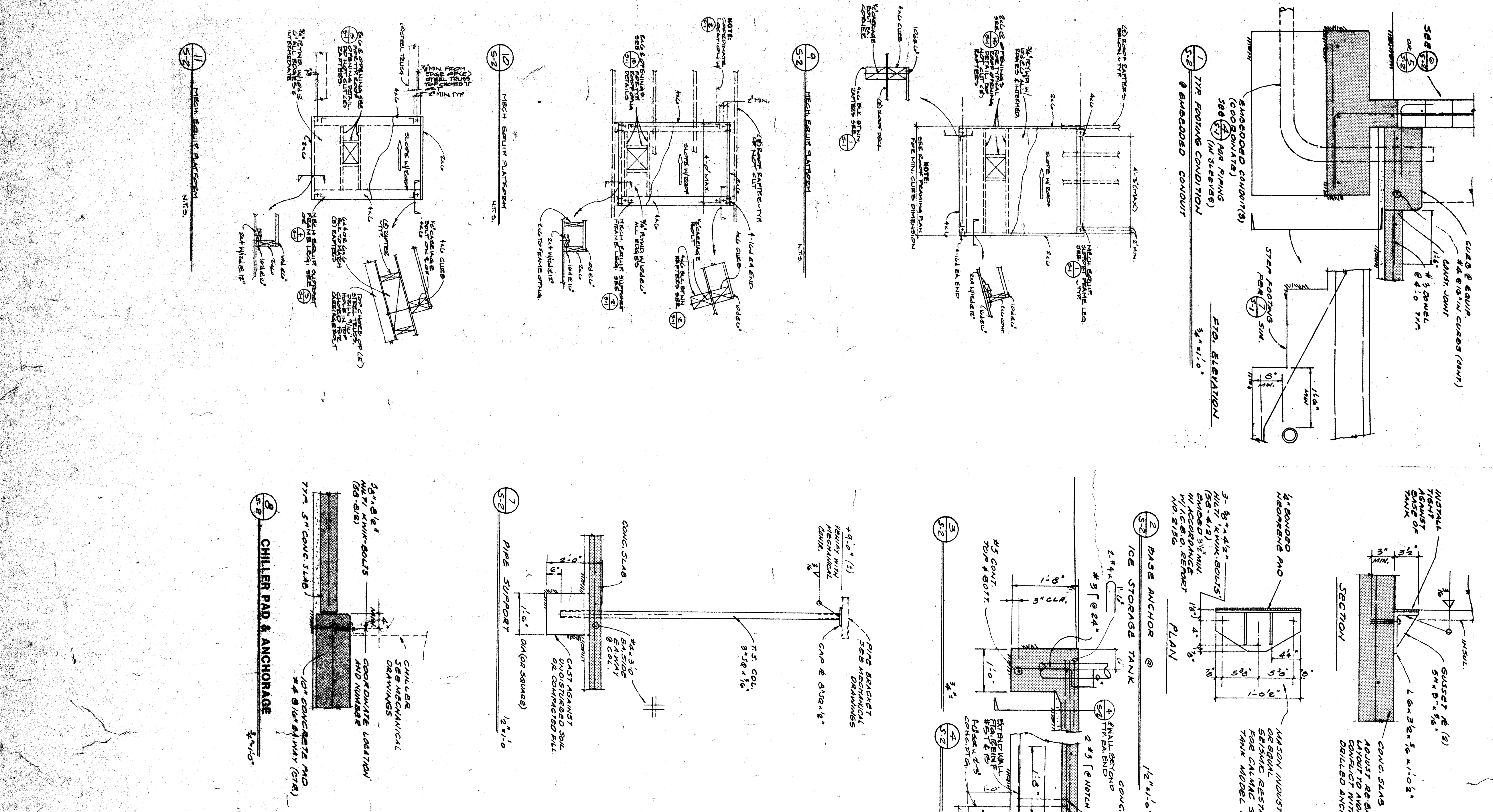
5. E.V. EXPANSION JOINT.

6. SEE SITE GRADING PLAN (SHEET 1-1) FOR BATH SLAB ELEVATION.

7. CHECK ELEVATIONS AGAINST WALLS AND/OR CEILING ABOVE UNLESS SPECIFICALLY DIMENSIONED OTHERWISE.

8. SEE SHEET S-1 FOR GENERAL NOTES AND TYPICAL DETAILS.

9. COORDINATE LOCATION AND SIZE OF MECH. & ELEC. EQUIP. FOR TYPICAL FOUNDATION NOTES & DETAILS.



MECH. EQUIP. PLATFORM