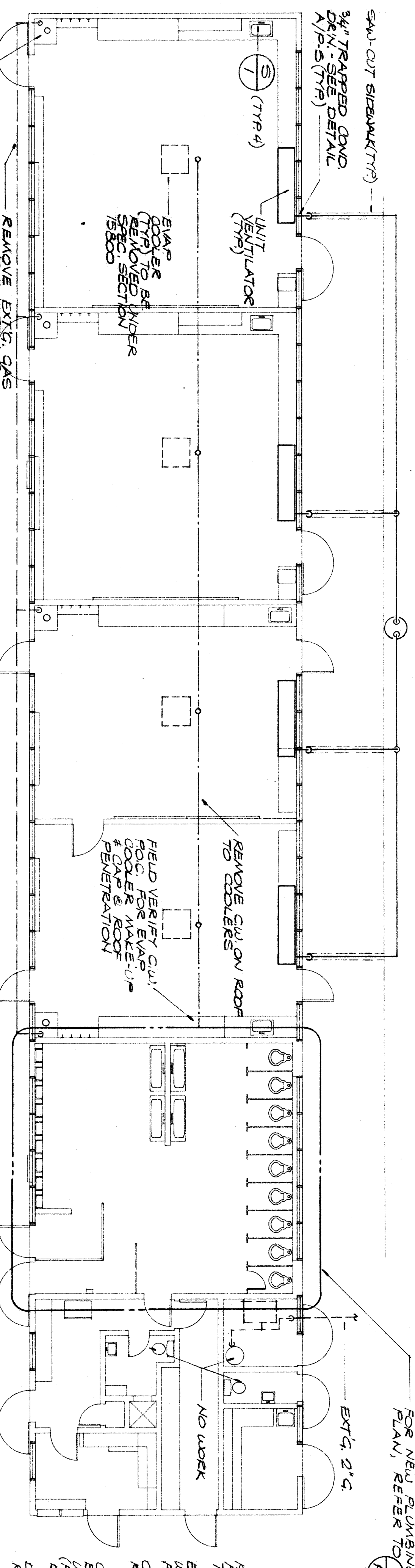


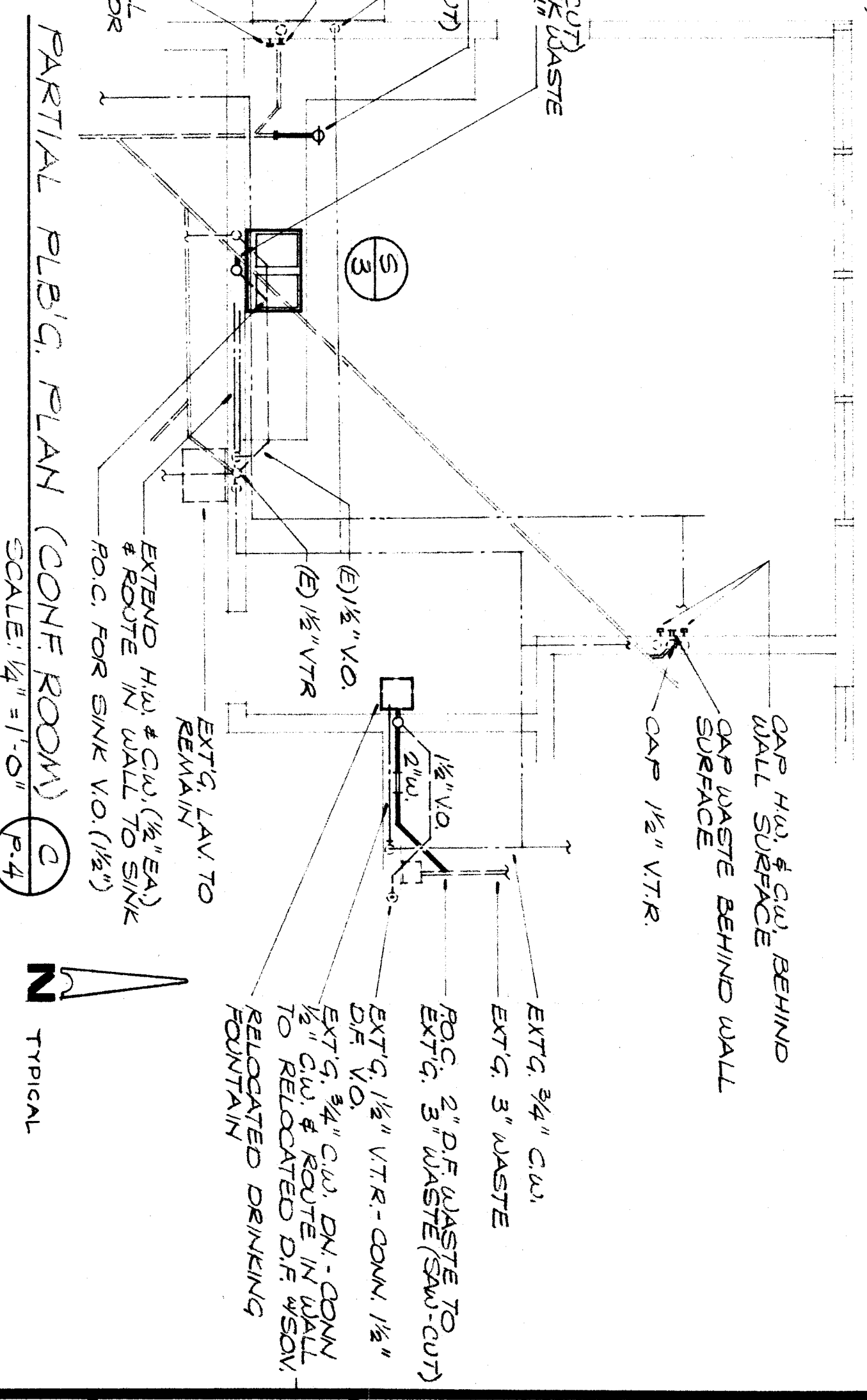
BUILDING D (PLUMBING FLOOR PLAN)

SCALE: 1/8" = 1'-0" (A)



BUILDING E (PLUMBING FLOOR PLAN)

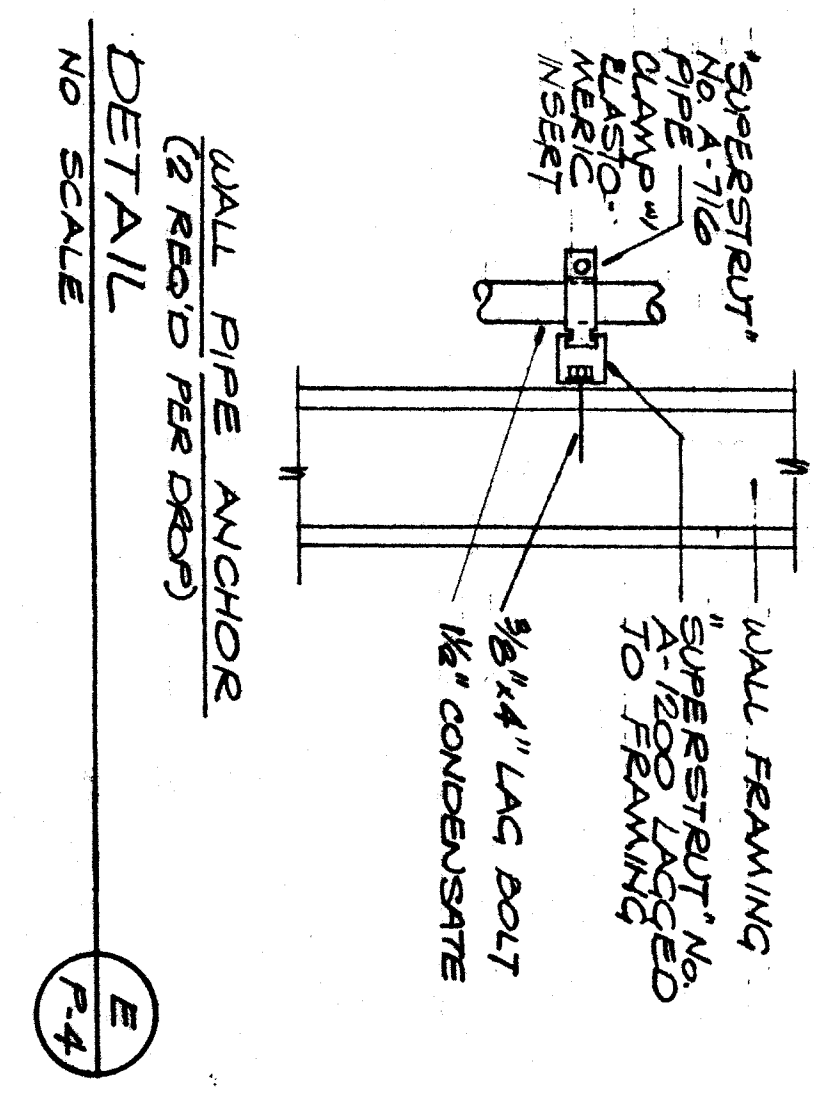
SCALE: 1/8" = 1'-0" (A)



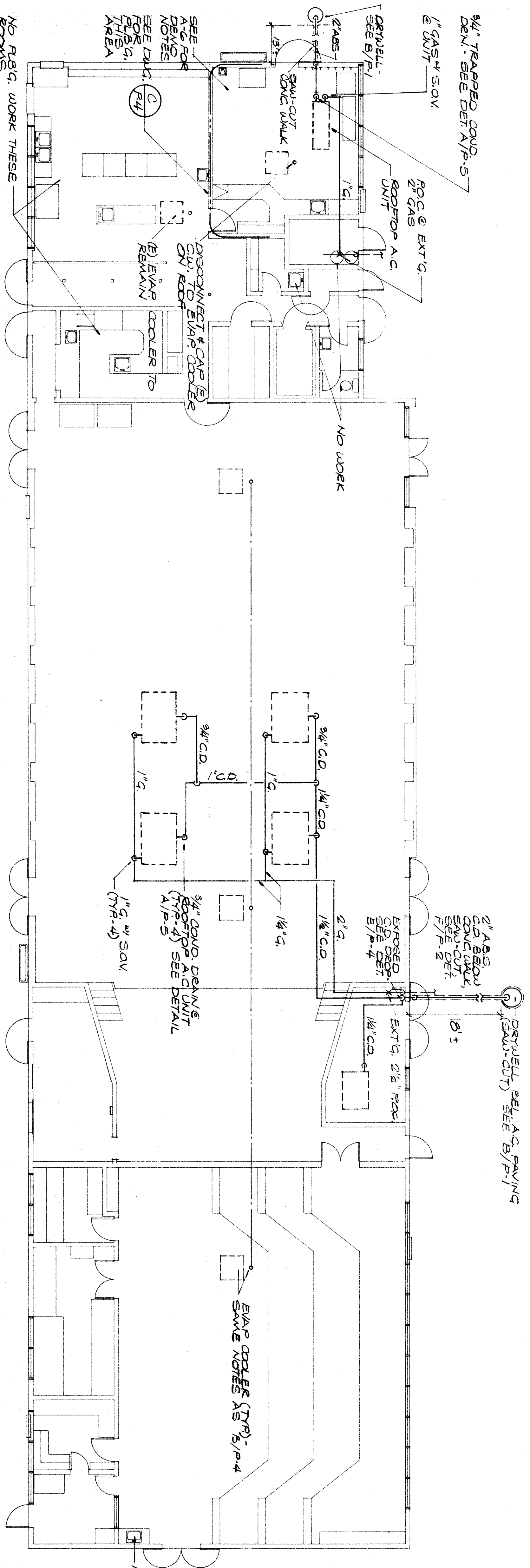
PARTIAL P.L.G. PLAN (CONE ROOM)

SCALE: 1/4" = 1'-0" (A)

TYPICAL



(E)



BUILDING F (PLUMBING FLOOR PLAN)

SCALE: 1/8" = 1'-0" (A)

RENFRO RUSSELL & ASSOCIATES
 Architecture • Engineering • Interior Design/Space Planning

Donald W. Renfro AIA
 Mark E. Russell MA
 C 3283
 C 13726

CONSULTANTS
 FRANK MITCHELL ESTABLISHED 1978
 JOHN FRANK MITCHELL, INC.
 CONSULTING MECHANICAL ENGINEERS
 PHONE 444 WEST 28TH STREET, SUITE 101
 PHOENIX, ARIZONA 85018
 602/257-2900

PROJECT
 BAKERSFIELD CITY SCHOOL DISTRICT
 WASHINGTON JUNIOR HIGH SCHOOL
 MODERNIZATION

KEY PLAN

B A
 C
 G H R

MECHANICAL END USES

MECHANICAL END USES

↑

BAKERSFIELD CITY SCHOOL DISTRICT BOARD OF EDUCATION

DATE APPROVED

DATE ISSUED FOR

DATE REVISIONS

SHEET TITLE
 PLUMBING FLOOR PLANS
 BLDG. D, E, F

APPROVED: ARCHITECT *Donald W. Renfro*

CHECKED: J. P. [Name]

DATE: 8/1/78

PROJECT NO. BS-716 W.

SHEET NUMBER: 8030A/E239A

4000 Broadway Highway, Suite 204, Bakersfield, California 93309-1800 321-7173