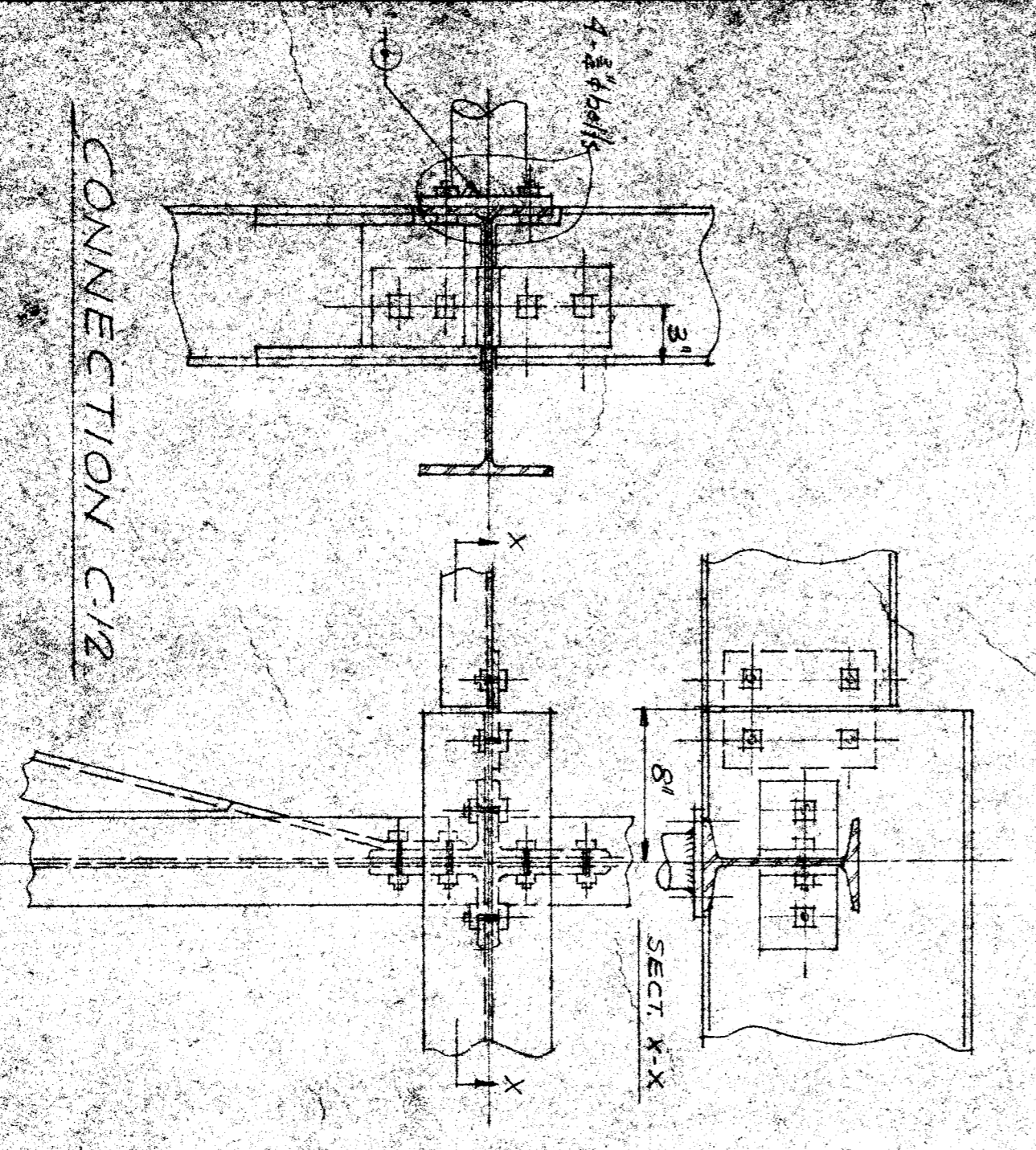
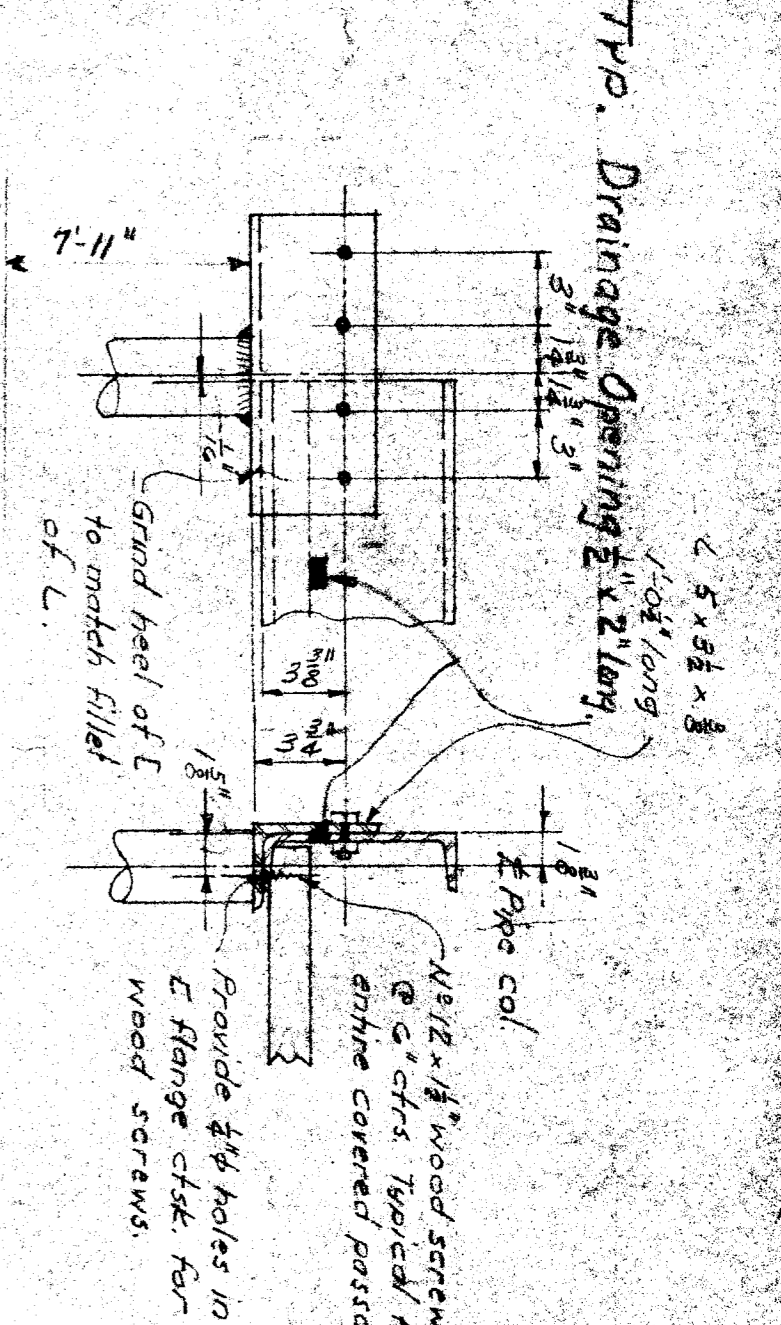


TYPICAL PANEL

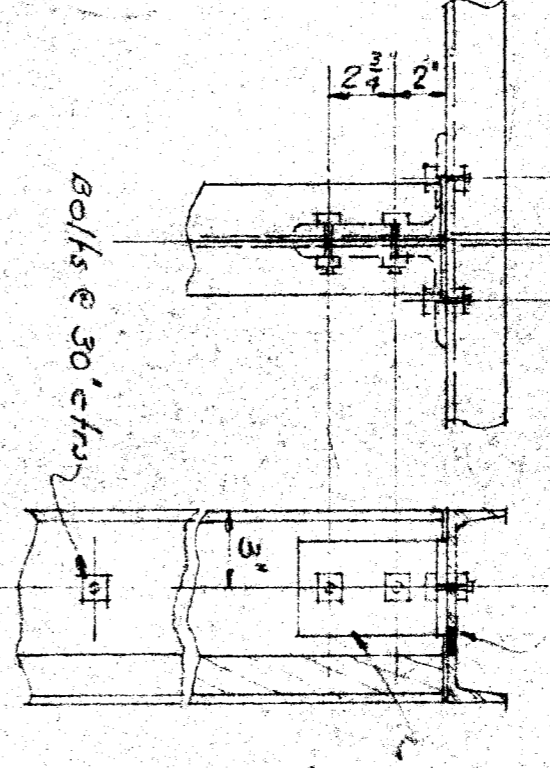
MARK	L	W	REMARKS
P 6	20'-5"	6'-10 1/2"	
P 7	20'-5"	7'-6"	
P 8			Assemble in place
P 9	20'-5"	7'-6"	See Plan - Diagonal cut one end
P 10			See Plan - One end on diagonal
P 11			Assemble in place
P 12			Assemble in place
P 13			Assemble in place
P 14	10'-0"	6'-9"	
P 15	20'-5"	7'-6"	See Plan - Diagonal cut one end
P 16	20'-5"	7'-6"	Assemble in place
P 17			Assemble in place
P 18	8'-0"	7'-6"	
P 19	3'-10"	6'-6"	
P 20			Assemble in place
P 21	14'-0"	7'-0"	
P 22	6'-0"	7'-0"	
P 23	10'-0"	7'-0"	
P 24	13'-7 1/2"	7'-0"	
P 25	9'-2 1/2"	7'-0"	
P 26	16'-0"	6'-9"	
P 27			See PLAN



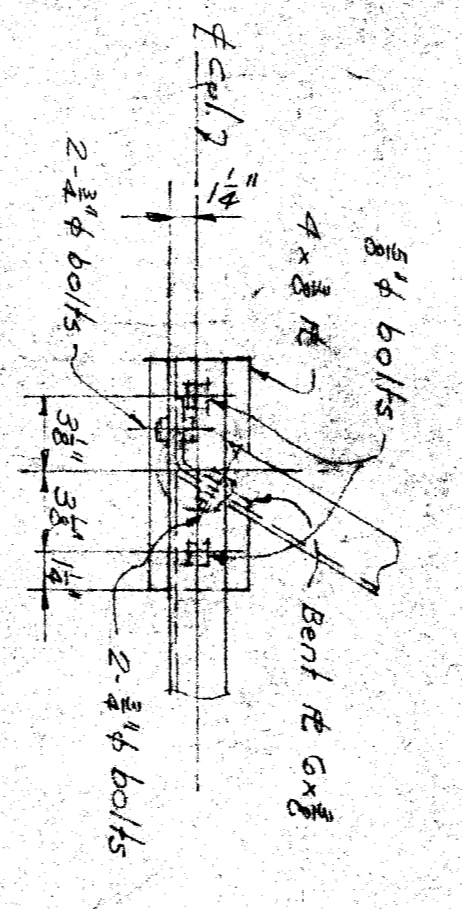
CONNECTION C/12



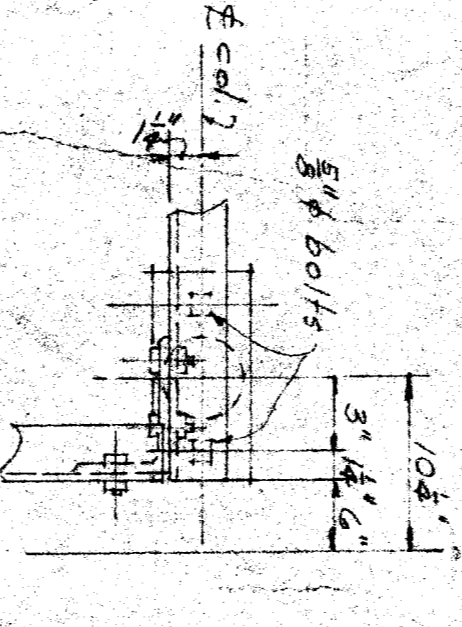
CONNECTION C-1



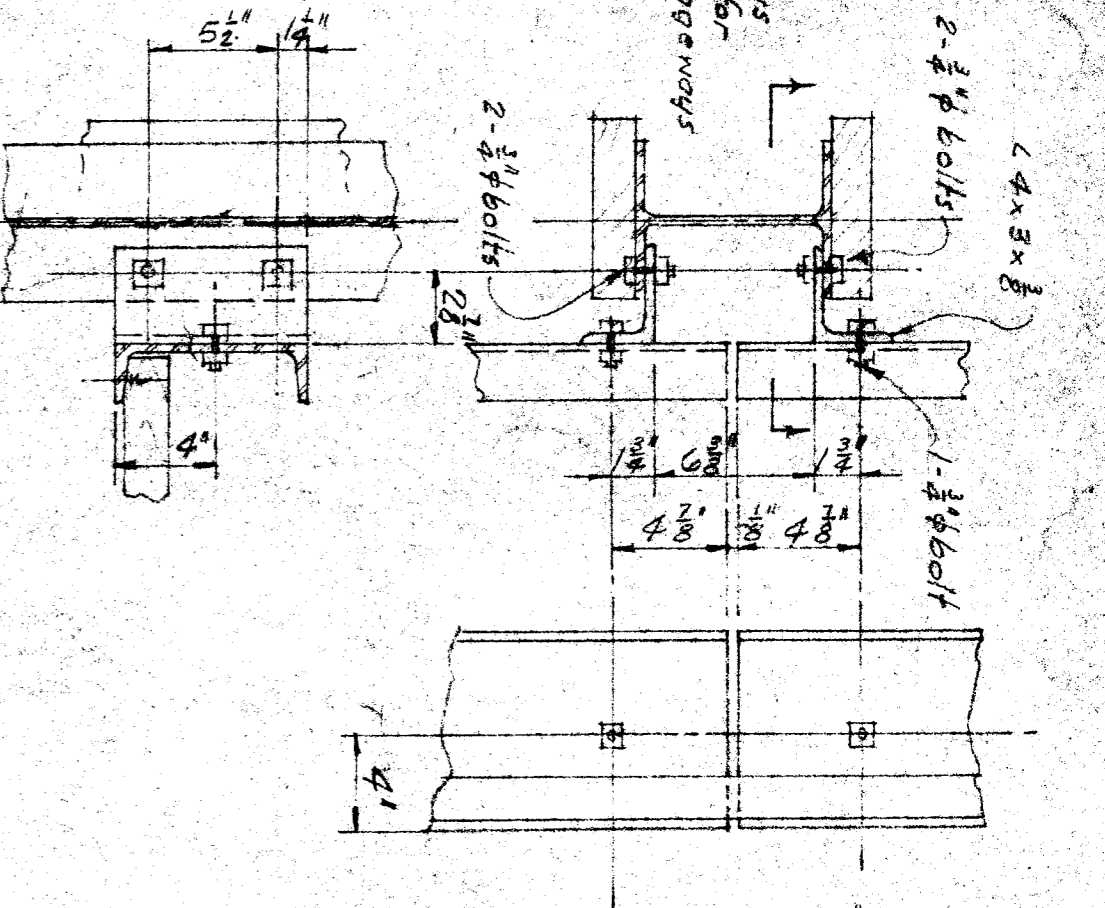
CONNECTION C/6



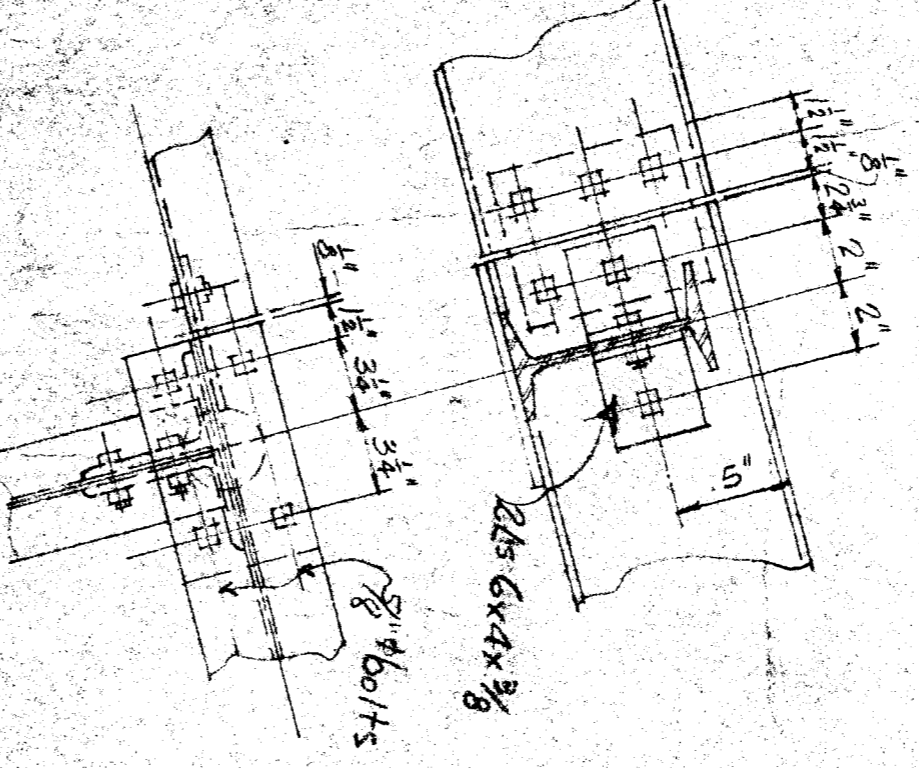
CONNECTION C-7



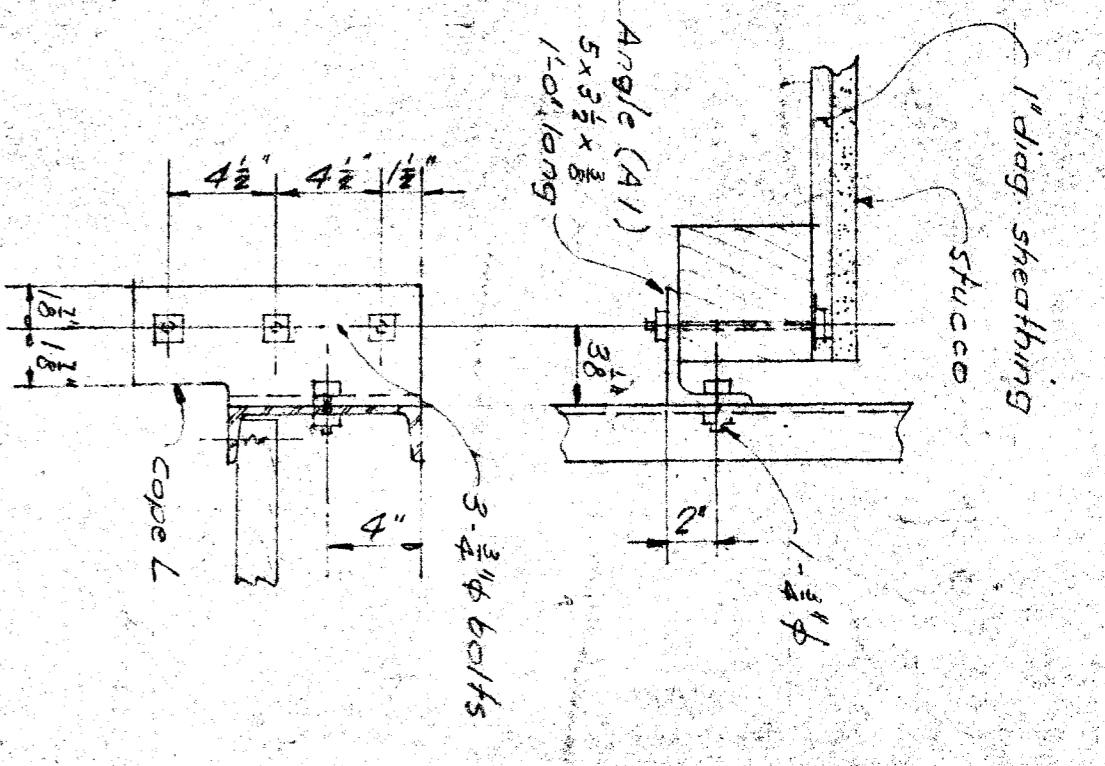
CONNECTION C-8



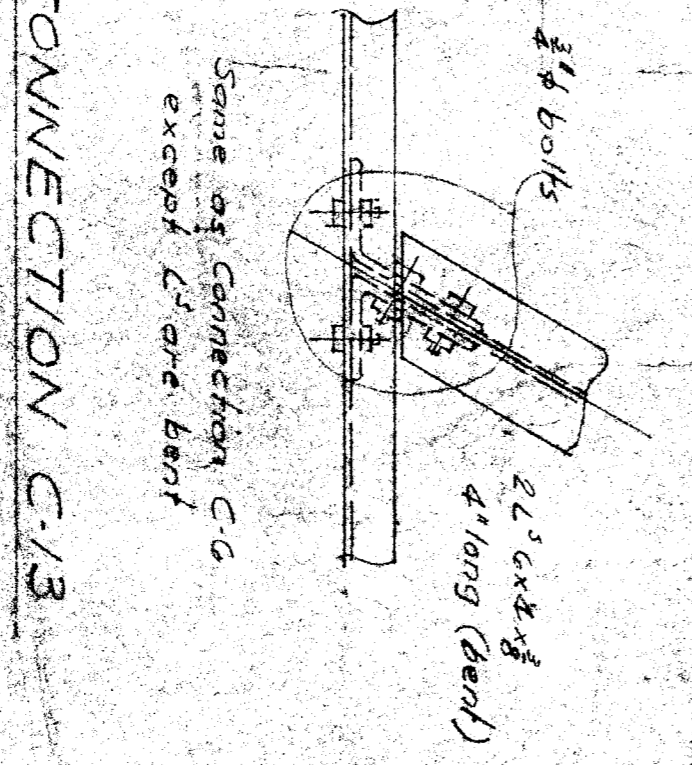
CONNECTION C-2



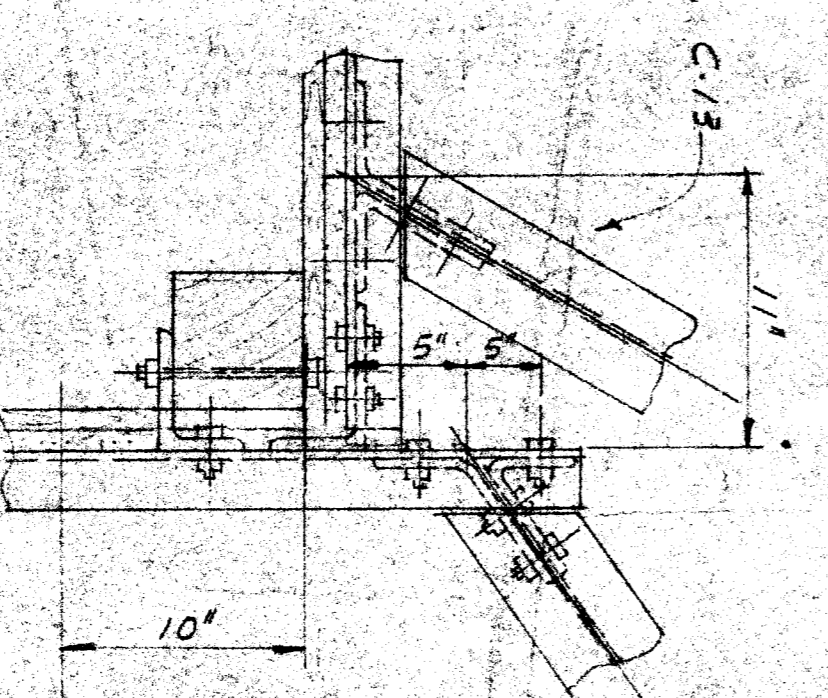
CONNECTION C-9



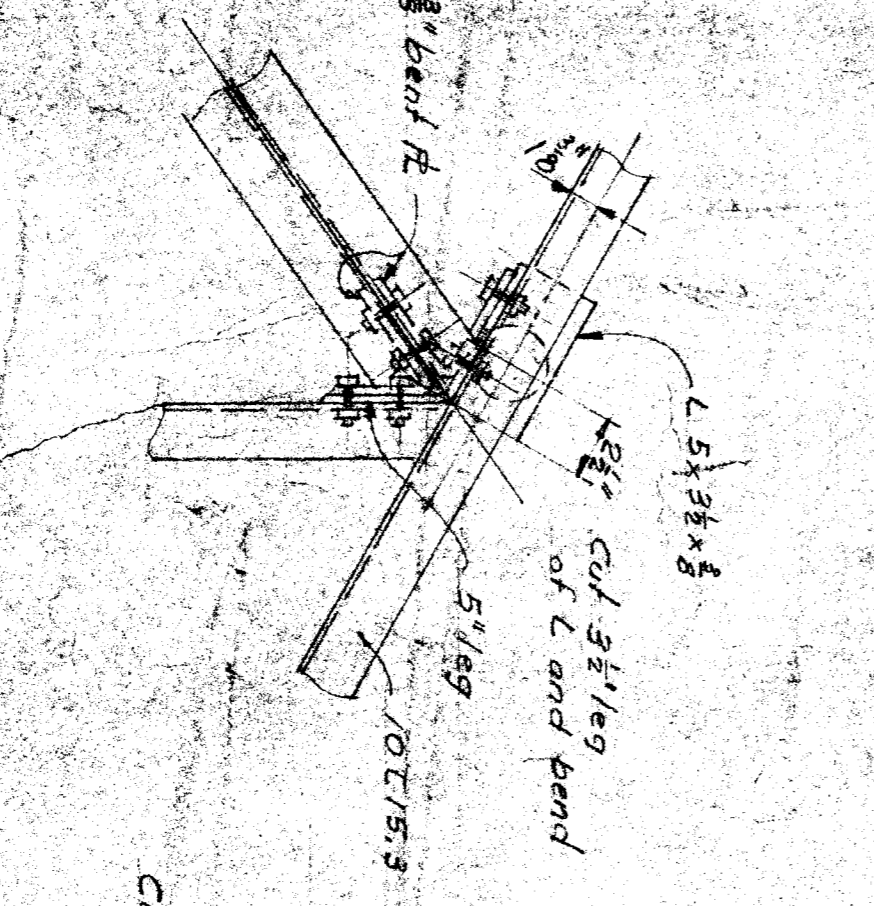
CONNECTION C-3



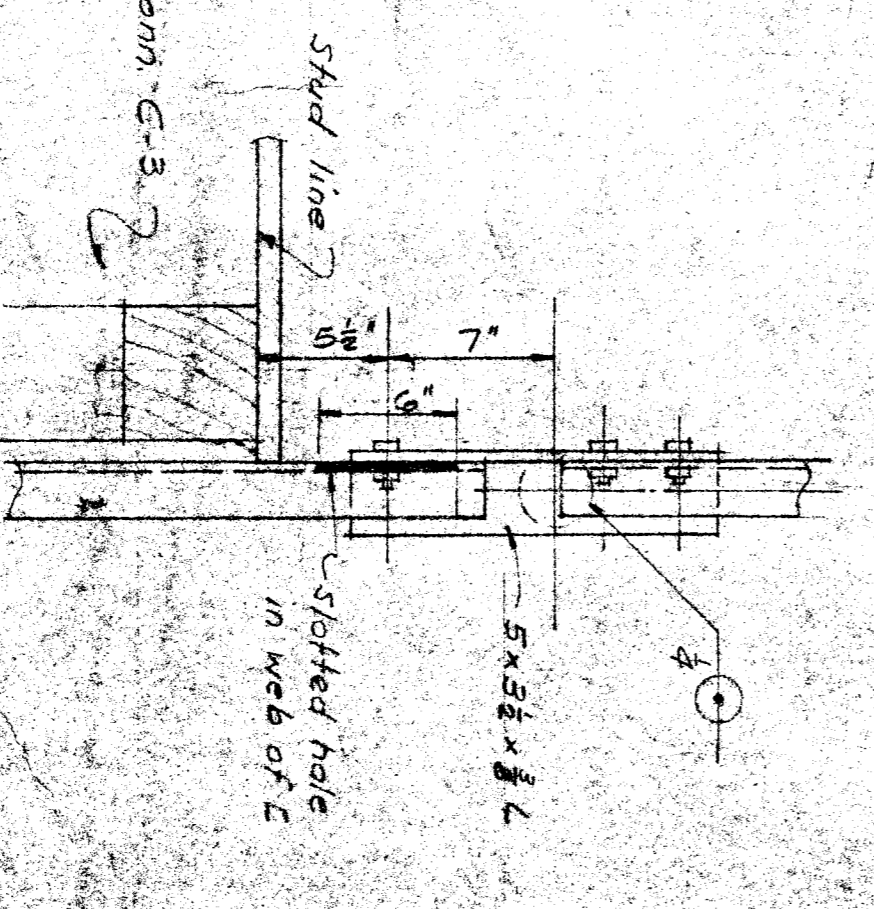
CONNECTION C/3



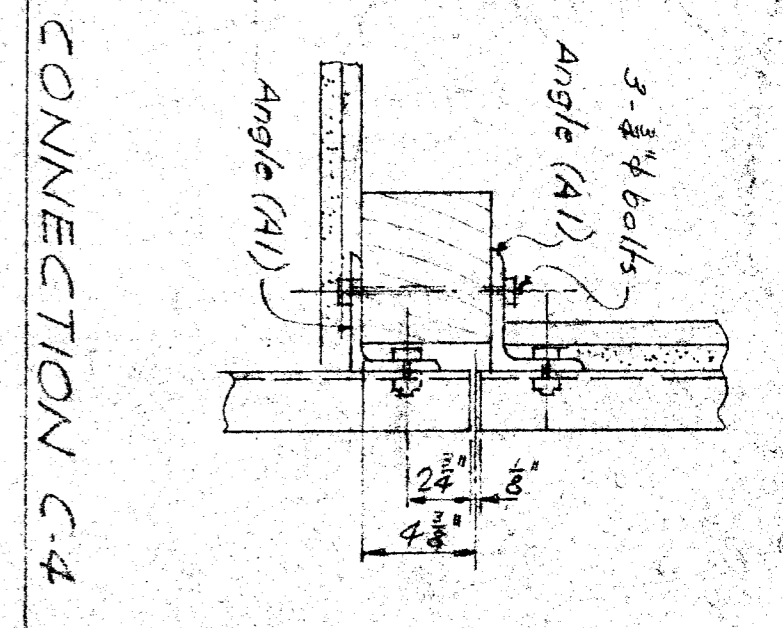
CONNECTION C/13



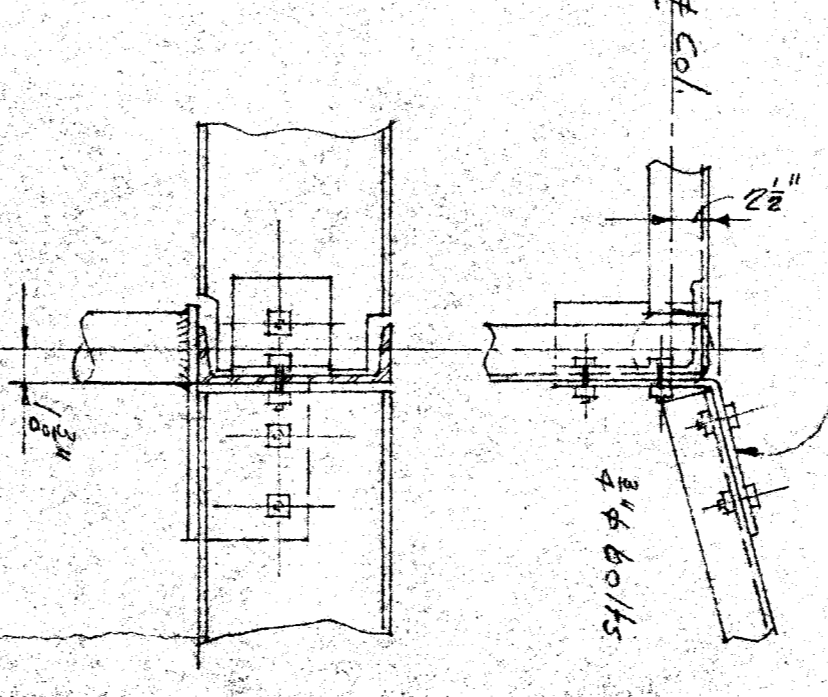
CONNECTION C/14



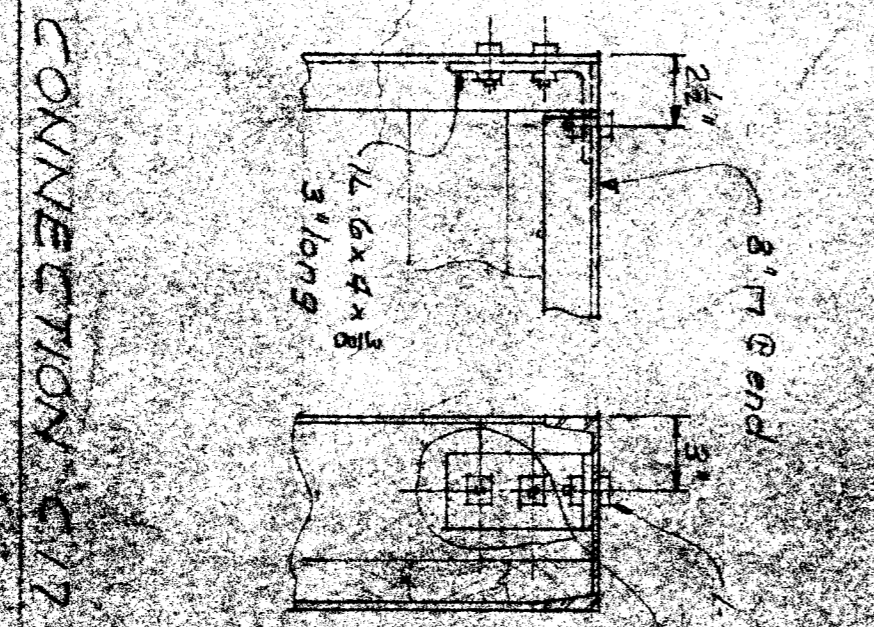
CONNECTION C/15



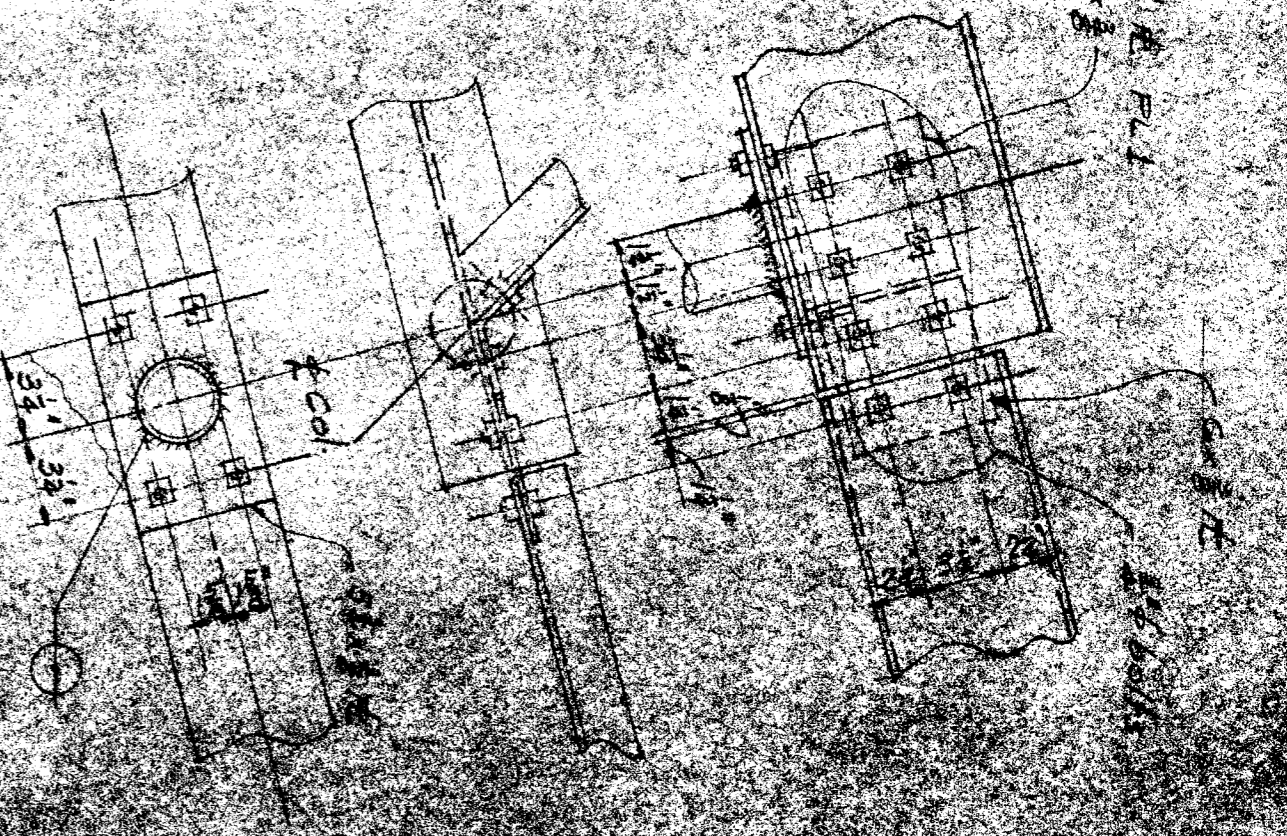
CONNECTION C-4



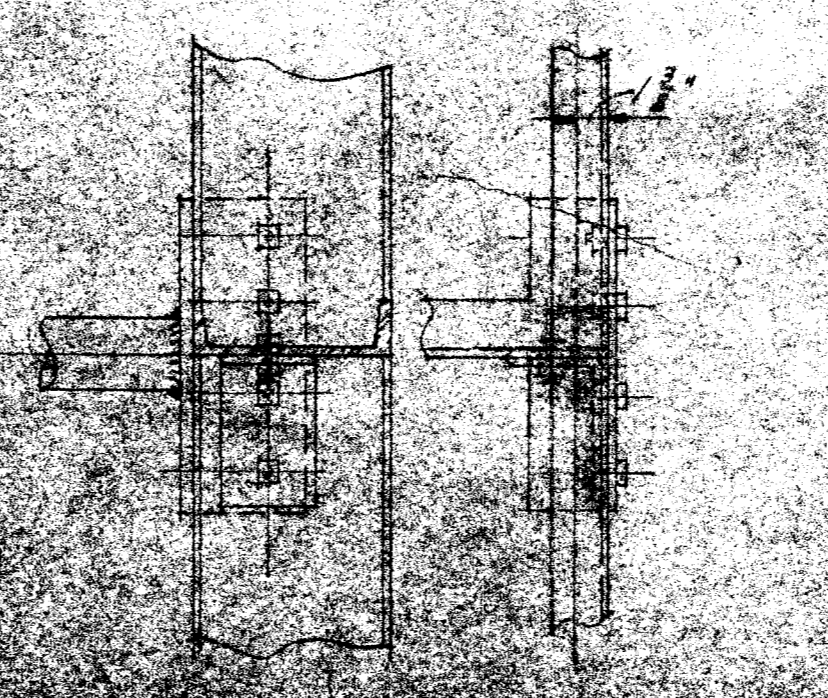
CONNECTION C/10



CONNECTION C/16



CONNECTION C-5



CONNECTION C/17

DETAILS OF CONNECTIONS

Scale: 1/2" = 1'-0"

All bolts for all connections except as noted.

DIVISION OF ARCHITECTURE

BOARD OF EDUCATION

1844 1/2  
1844 1/2  
1844 1/2

Handwritten signature

CONNECTION DETAILS  
CHECKED BY  
PREPARED BY

Harold B. Hammett  
HAROLD B. HAMMETT  
CONSULTING STRUCTURAL ENGINEER  
REG. NO. 5782  
SAN FRANCISCO, CALIFORNIA

WHENEY BROWN AND  
ARCHITECTS  
1250 CALIFORNIA STREET  
SAN FRANCISCO, CALIFORNIA