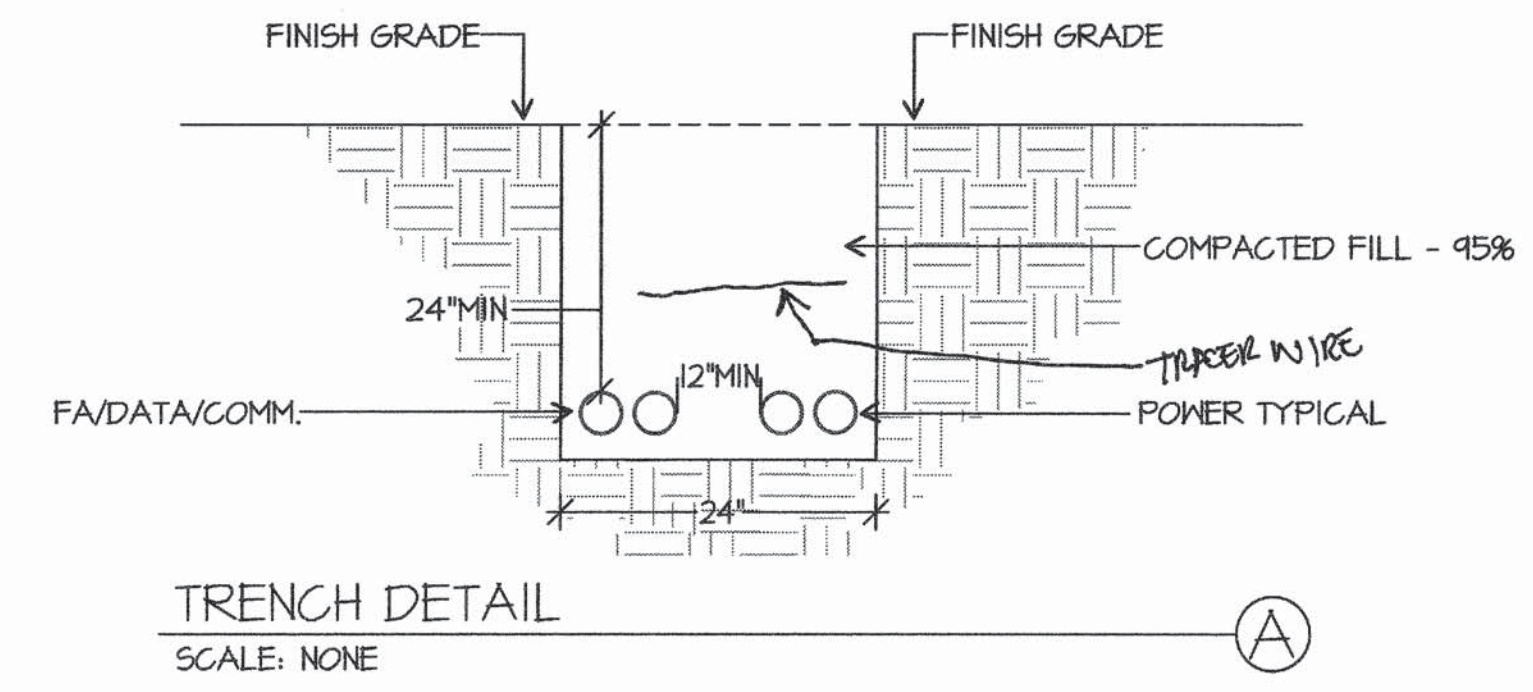
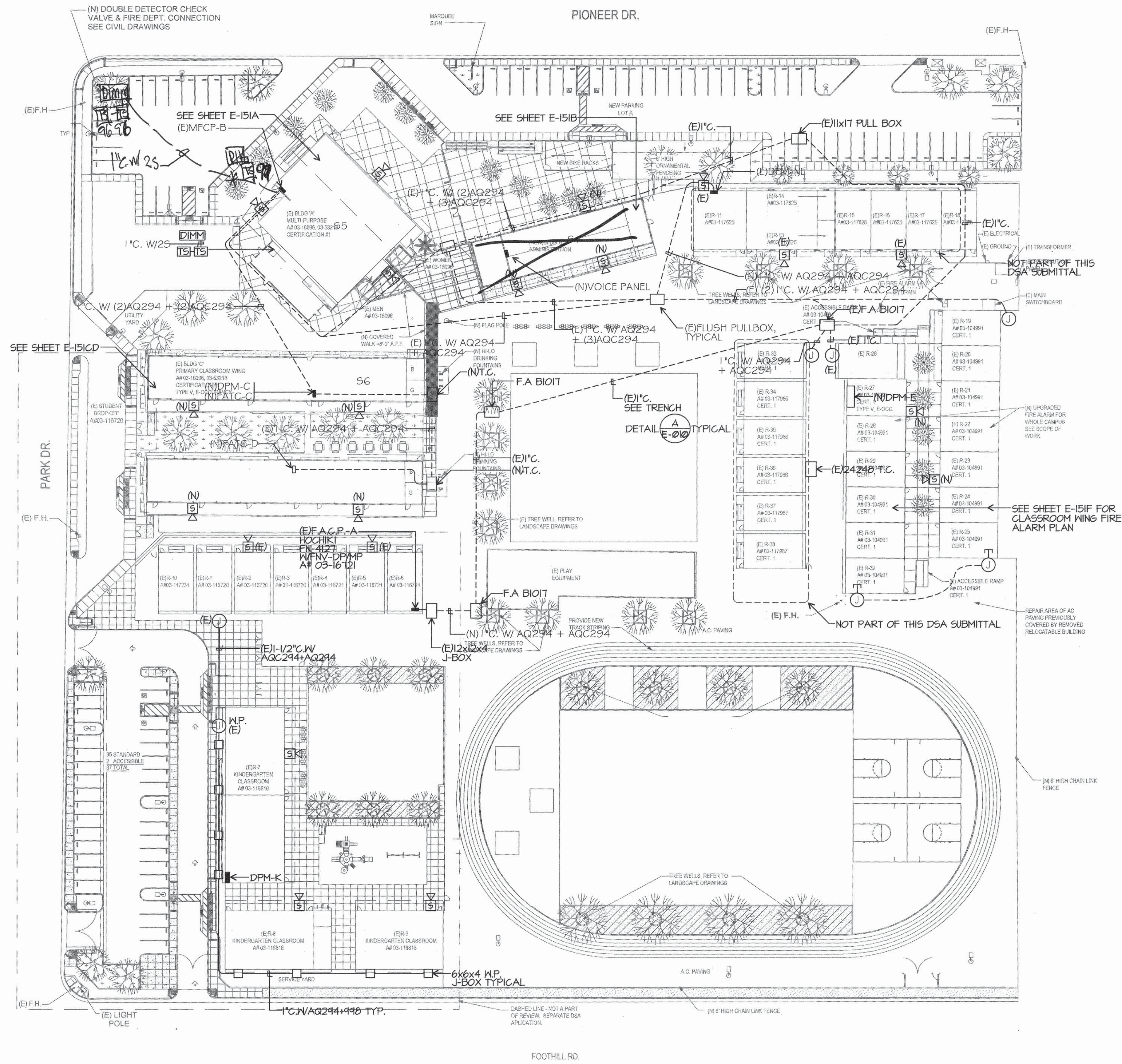
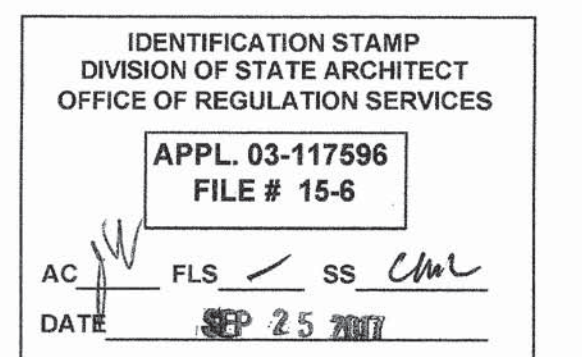
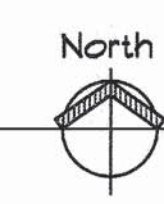


DANNY E. ORDIZ, AIA
ARCHITECT C-14,728
WILLIAM J. MELBY, AIA
ARCHITECT C-16,835



FIRE ALARM SITE PLAN
SCALE: 1"=40'-0"

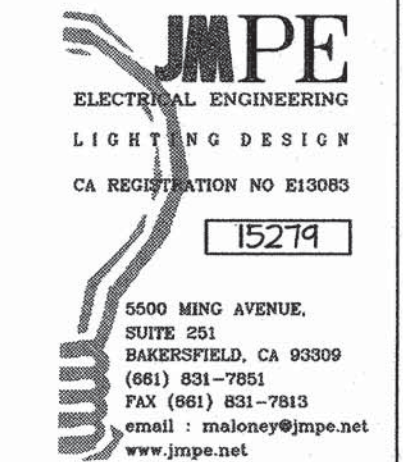


MODERNIZATION AT MARSA VOORHIES ELEMENTARY SCHOOL FOR: BAKERSFIELD CITY SCHOOL DISTRICT

1300 BAKER STREET
BAKERSFIELD CA 93305

MARK	DATE	DESCRIPTION
	11/01/16	DSA SUBMITTAL

JOB NUMBER: 2015-1663
CAD DRAWING FILE: 1663 VOORHIES MOD-300 & 400 Classroom Wings-C018.pln
DRAWN BY: AC
CHECKED BY: JM
CHECK AND VERIFY ALL DIMENSIONS BEFORE PROCEEDING WITH THE WORK. REPORT DISCREPANCIES TO THE ARCHITECT.
THE DRAWINGS, IDEAS, AND DESIGNS REPRESENTED ON THIS SHEET ARE THE PROPERTY OF THE ARCHITECT.
COPYRIGHT: ORDIZ-MELBY ARCHITECTS, INC. 2014
SHEET TITLE: FIRE ALARM SITE PLAN



FIRE ALARM SITE PLAN
SHEET IDENTIFICATION NUMBER
E-010
SHEET OF

\\bafid01\Shares\Drawings\2015 DWG\15279\15279-010.dwg, 7/20/2017 4:42:18 PM, alfonso