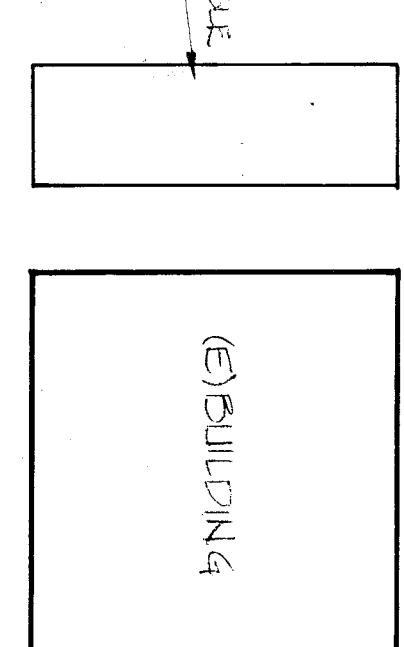


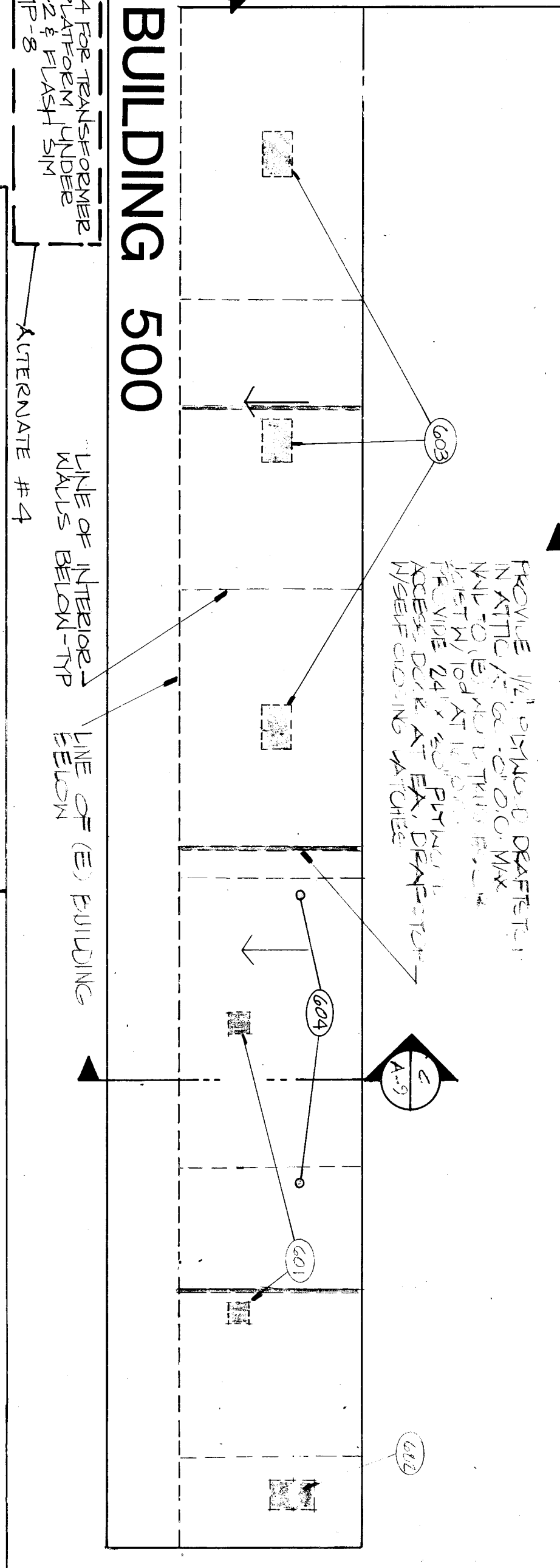
BUILDING 100



BUILDING 200

BUILDING 300

BUILDING 400

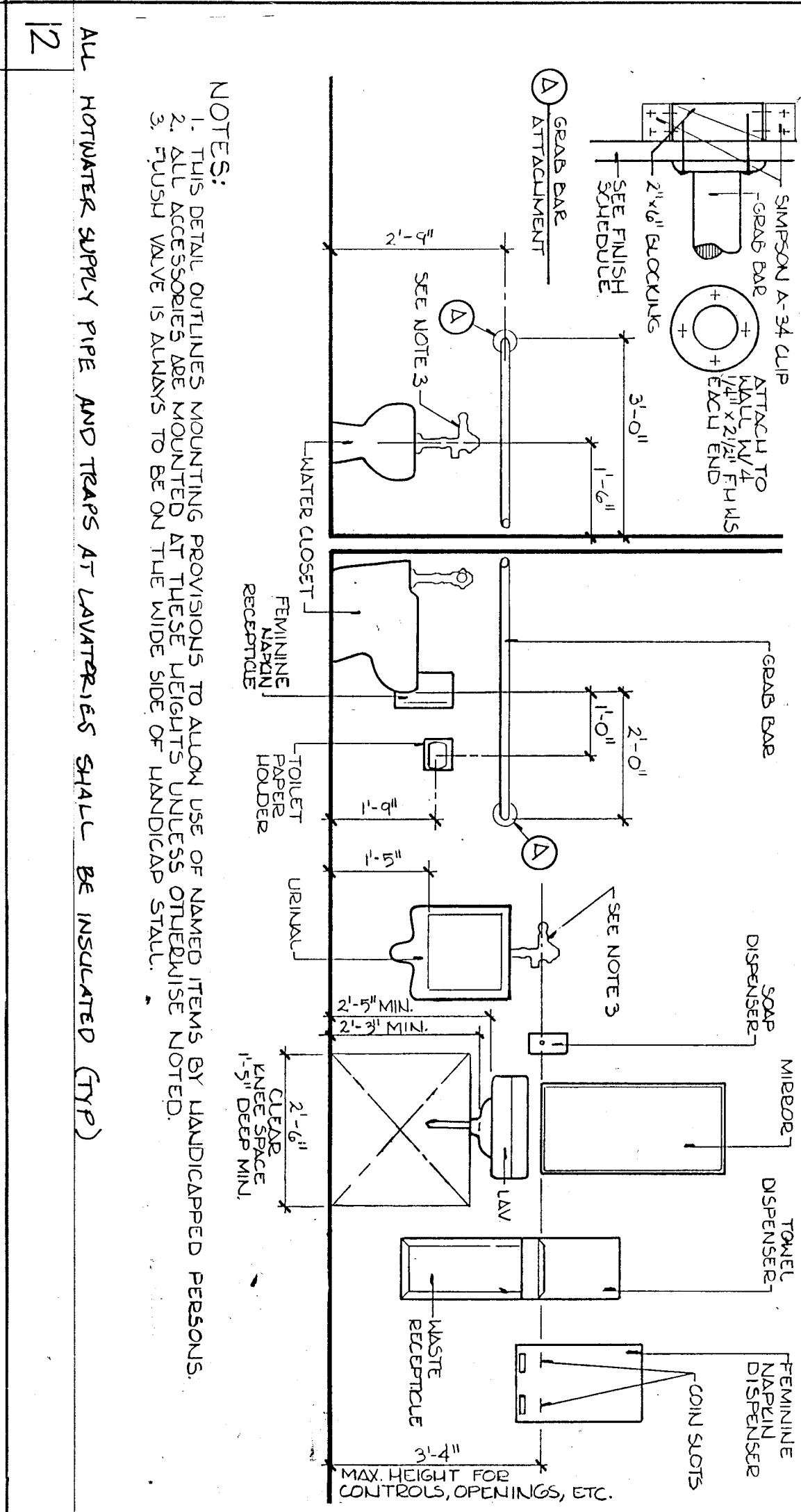
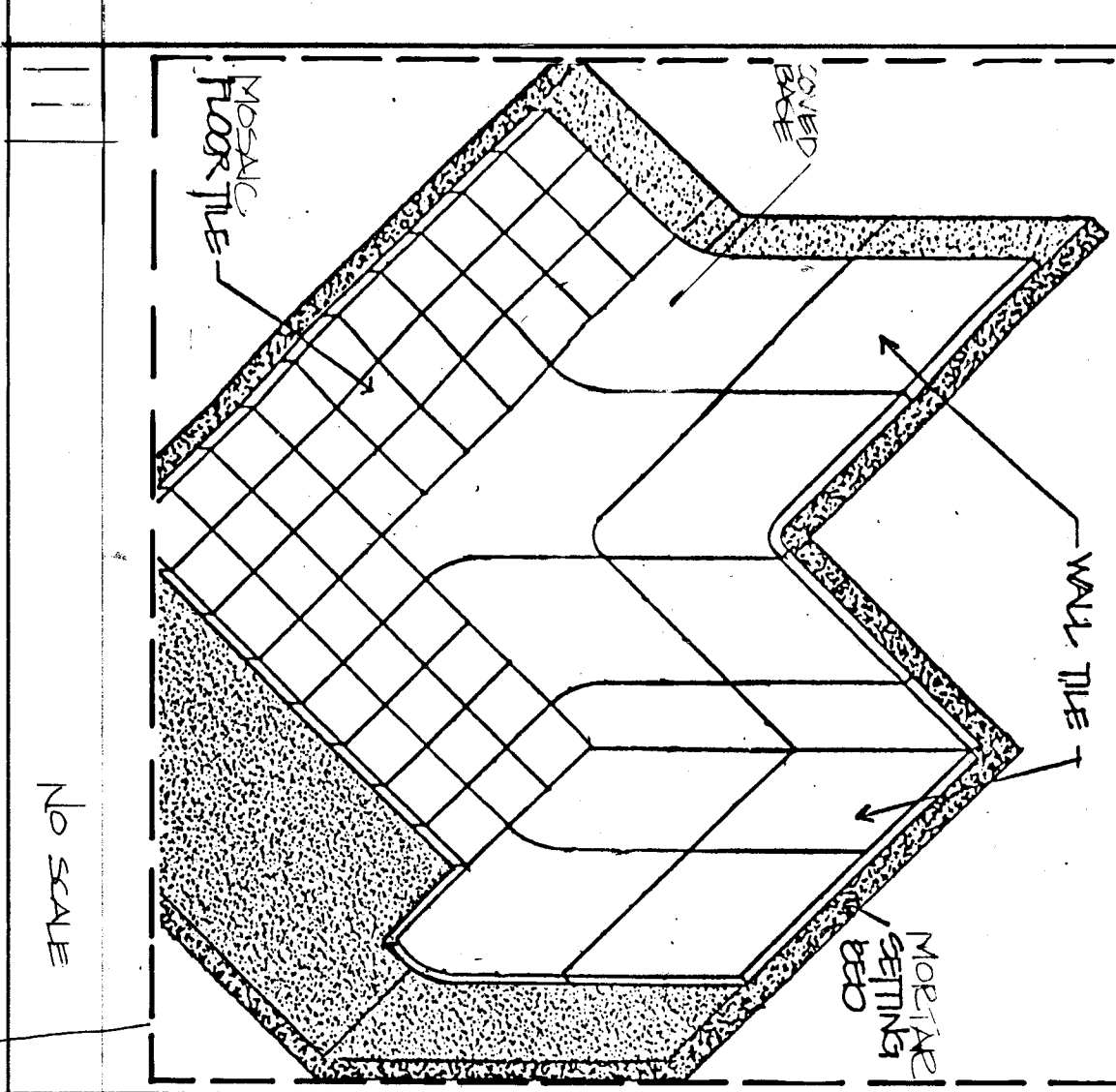
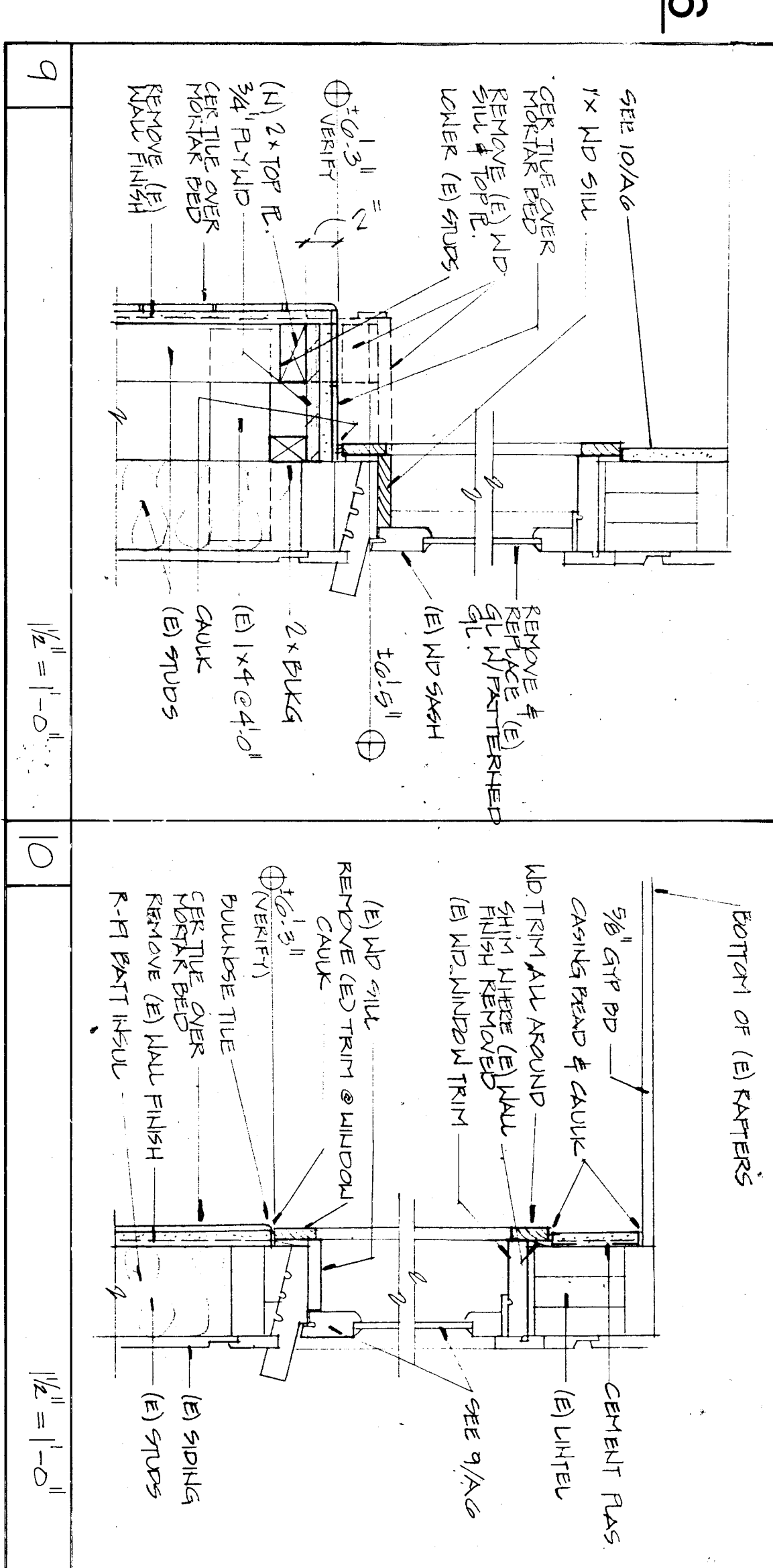


BUILDING 500

BUILDING 600
ROOF PLAN

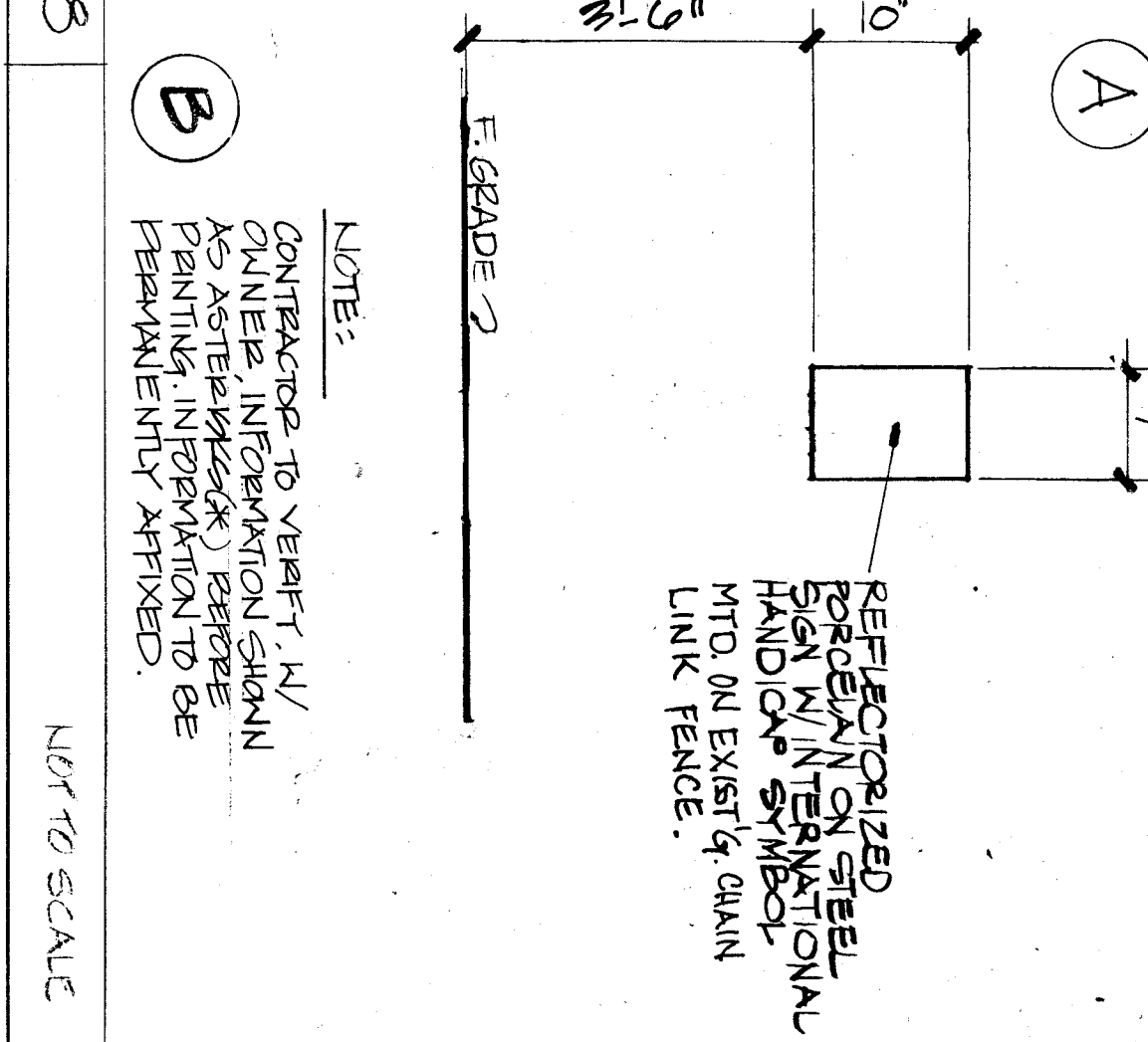
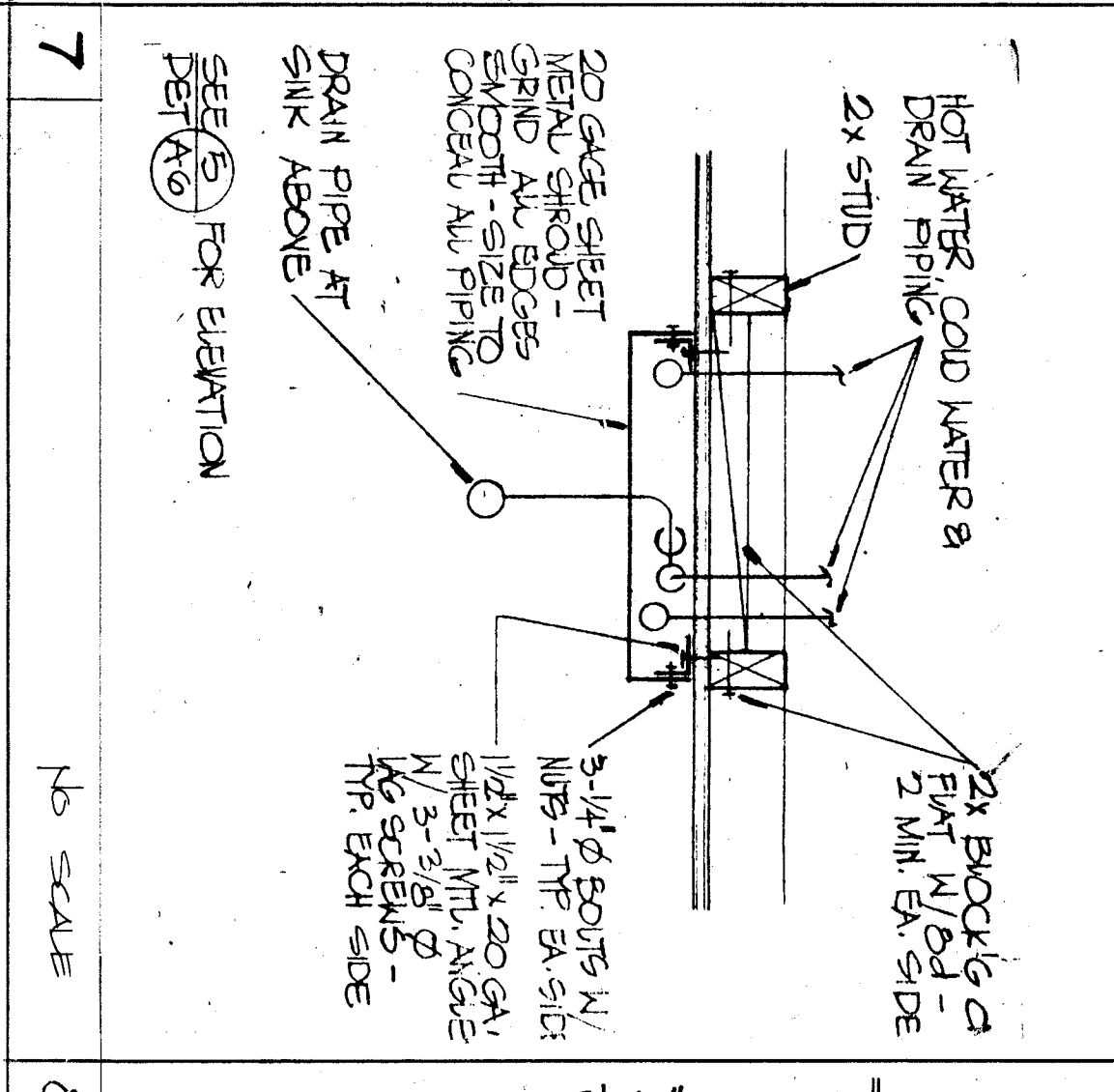
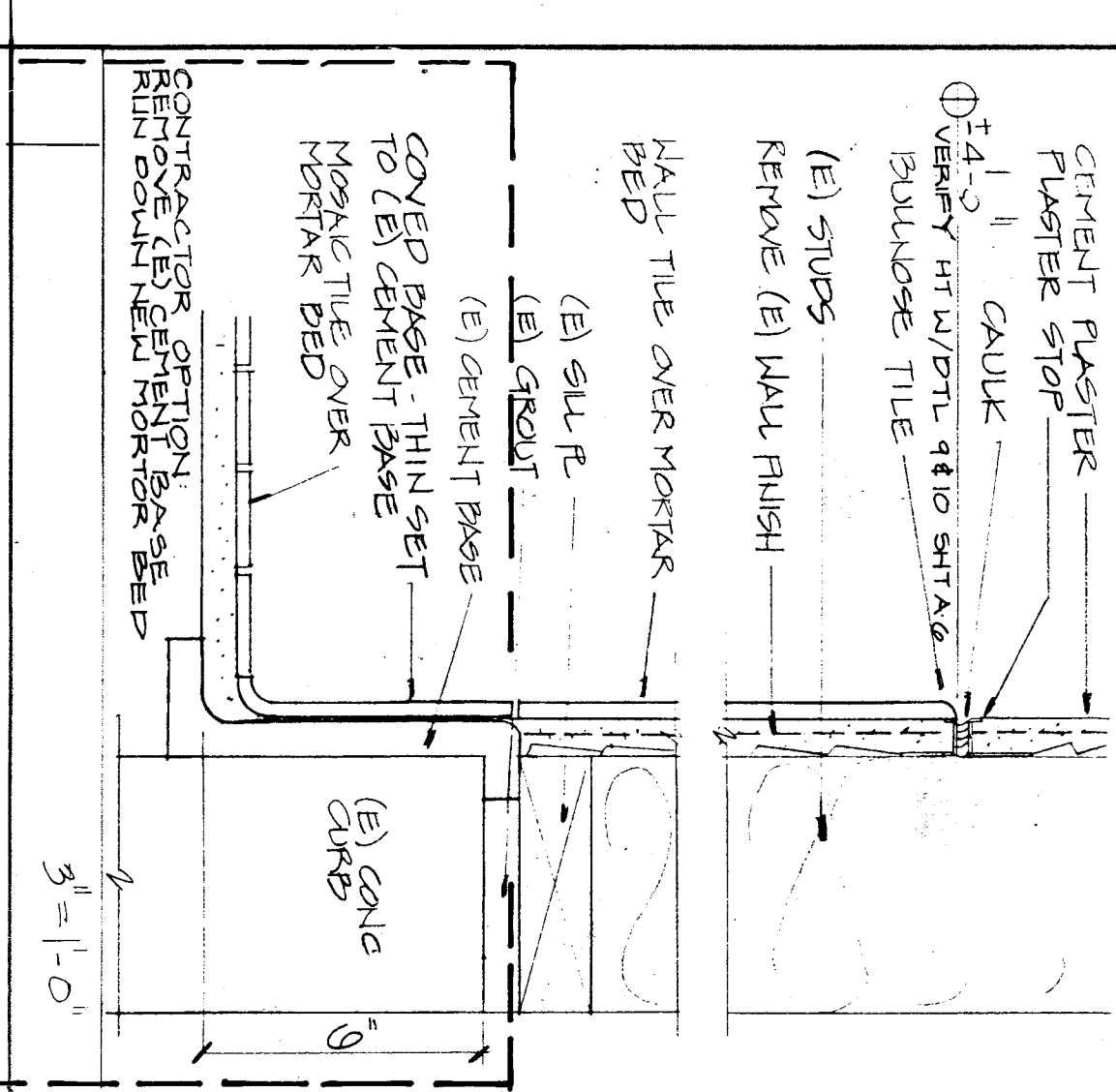
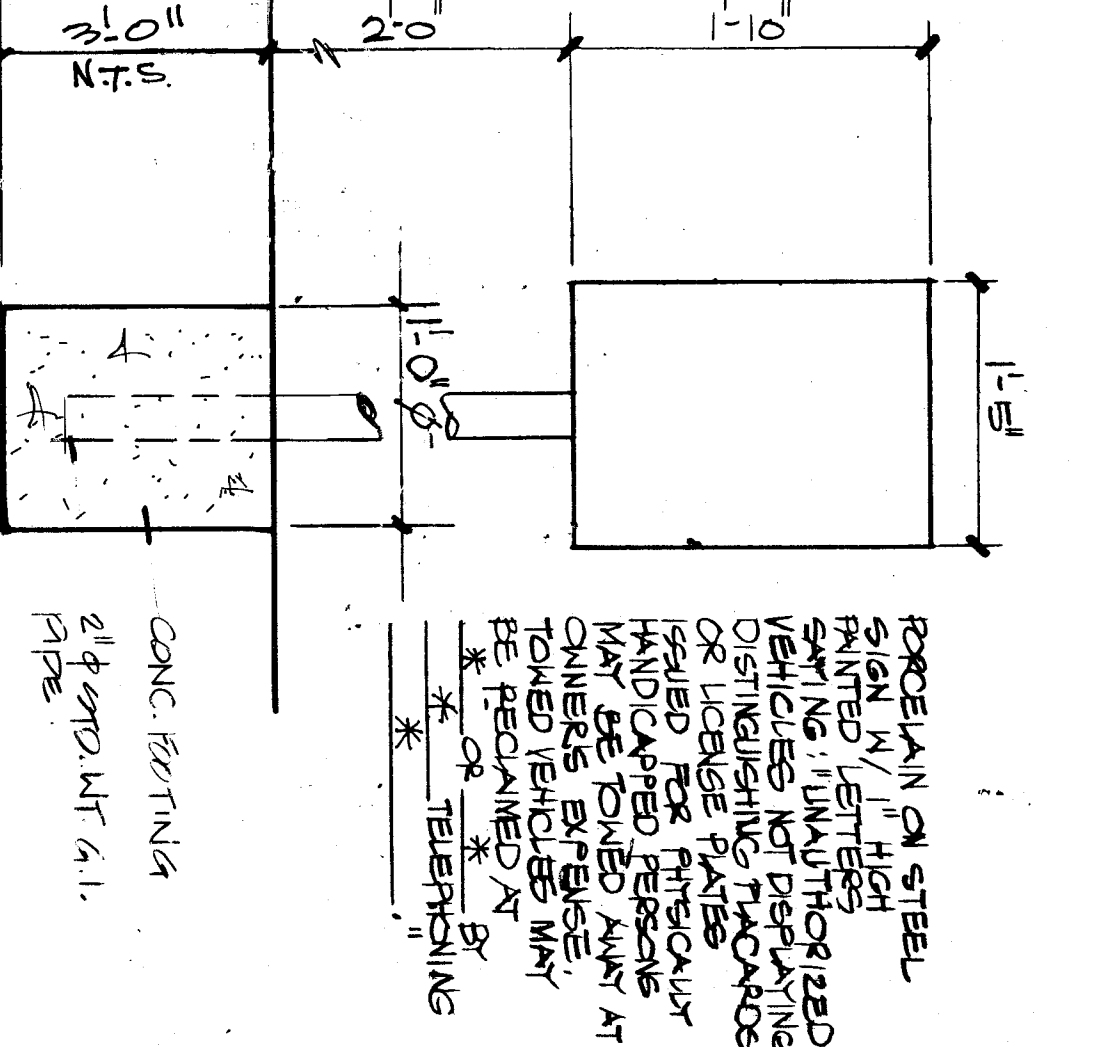
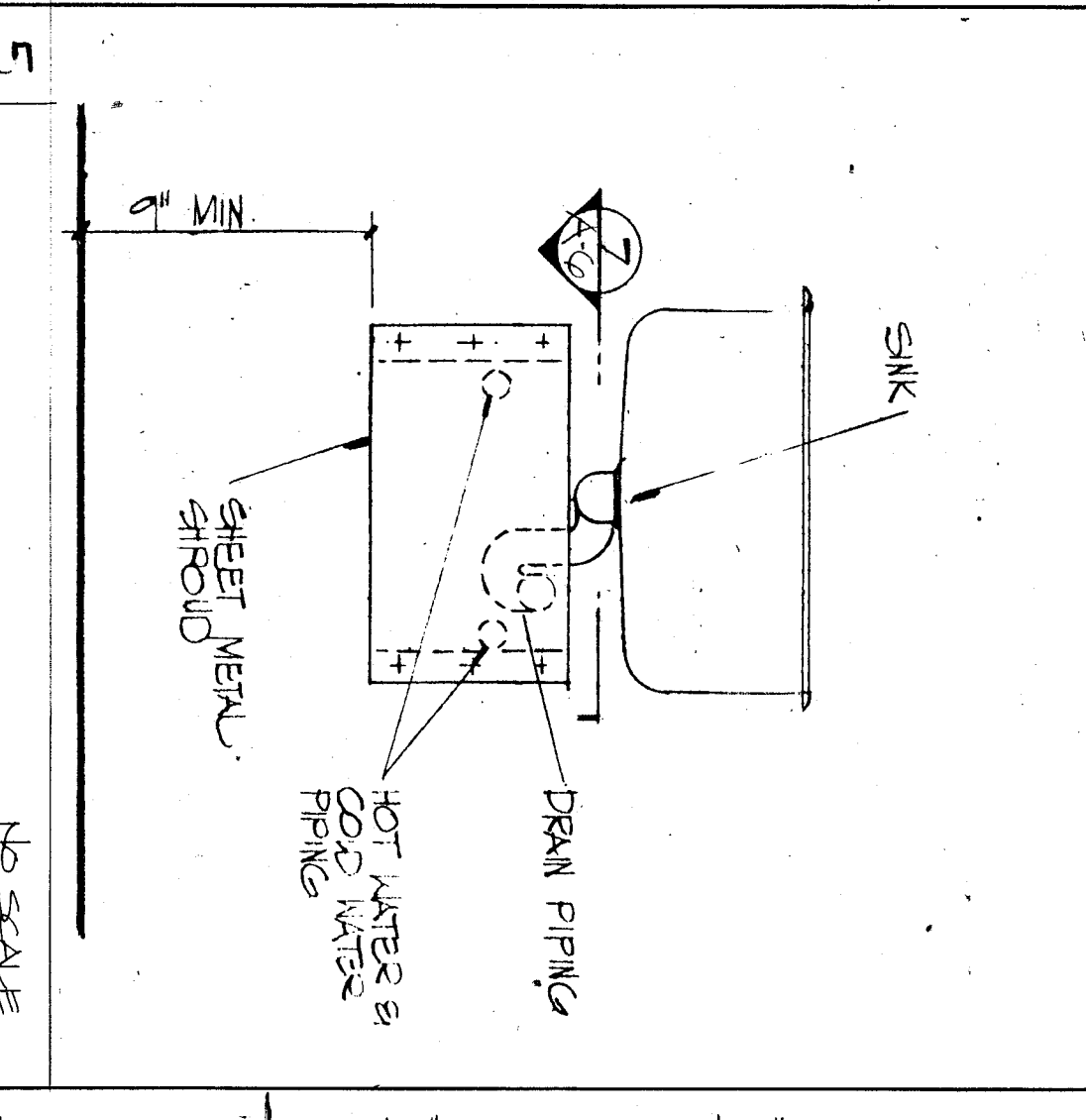
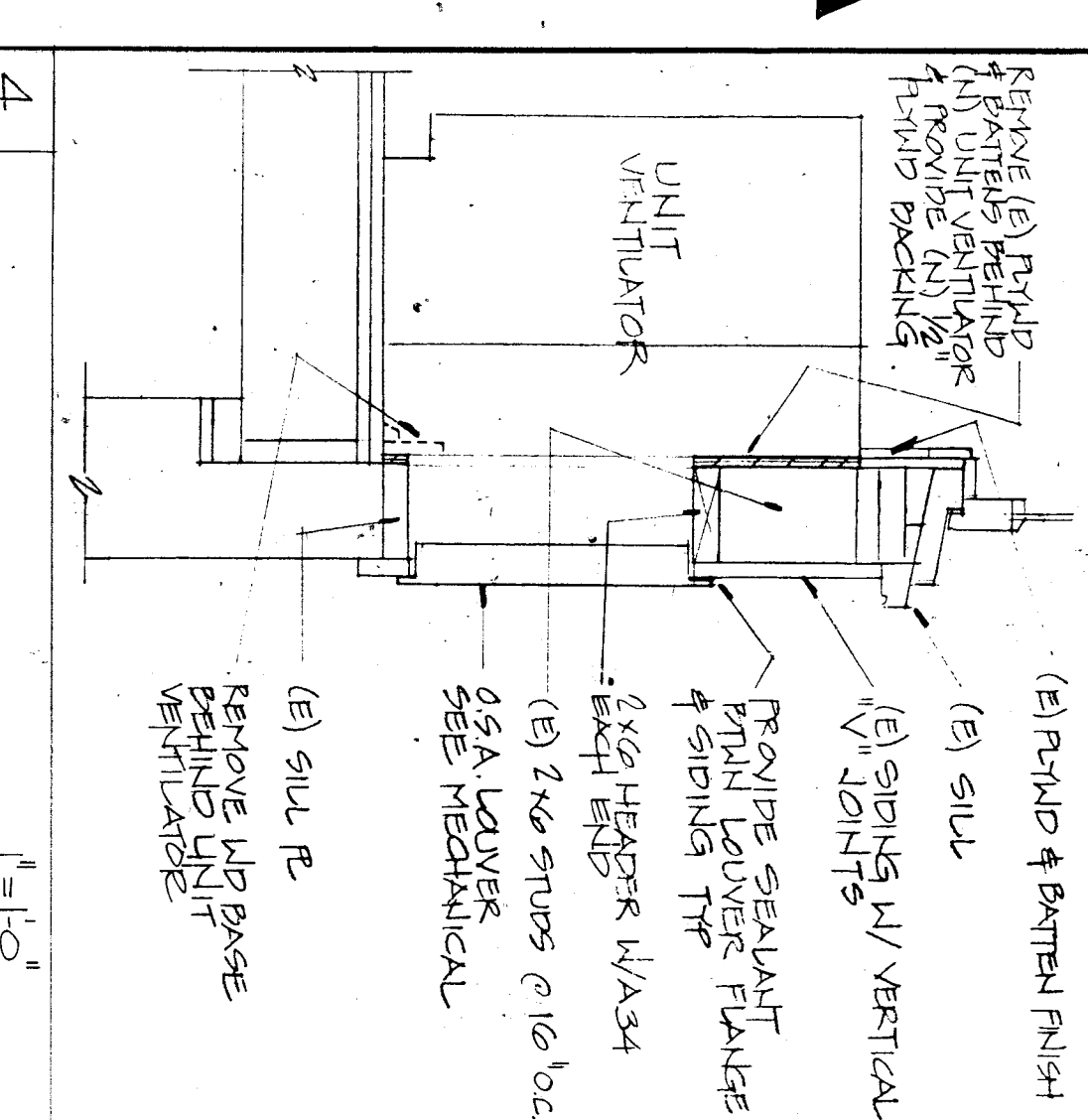
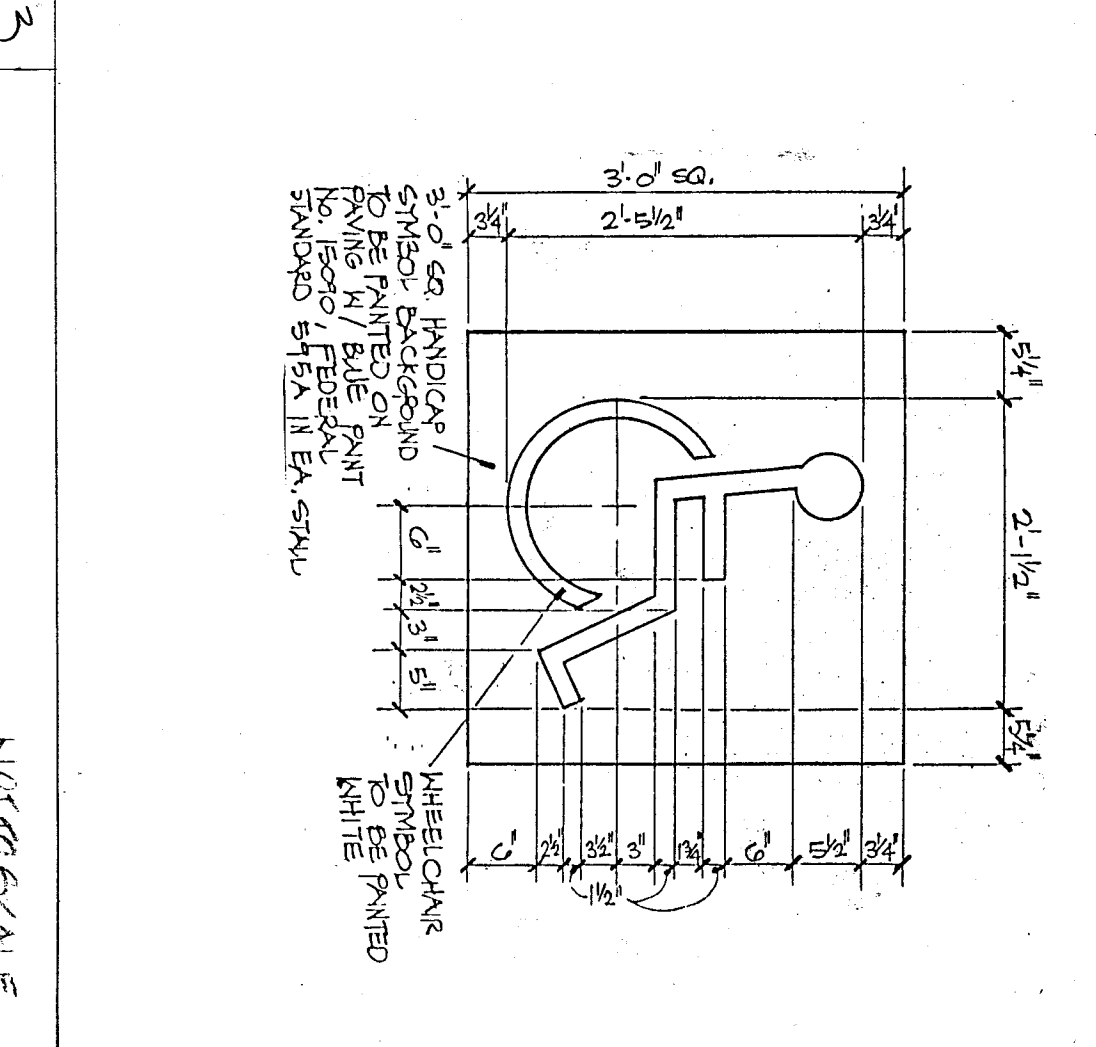
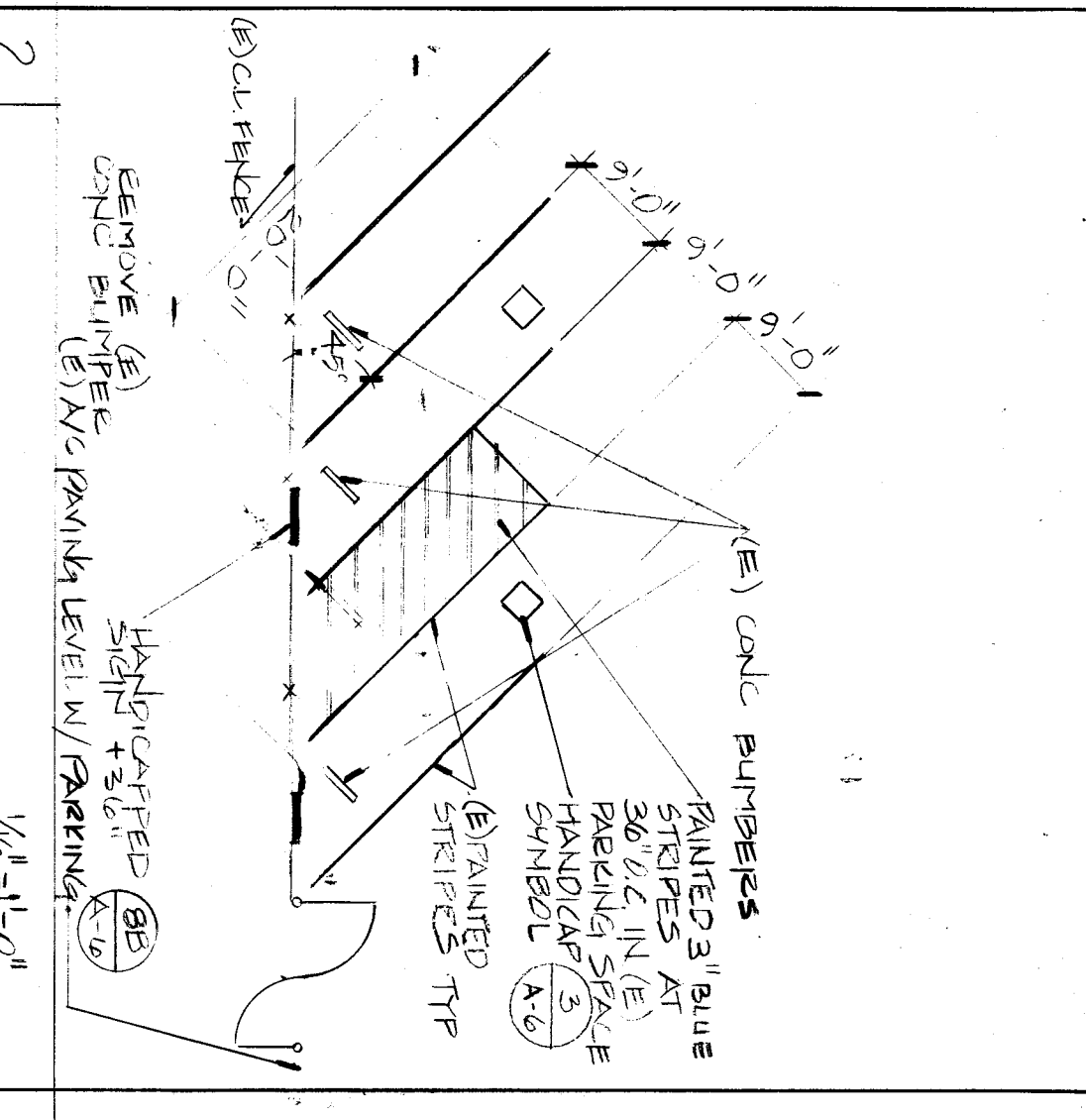
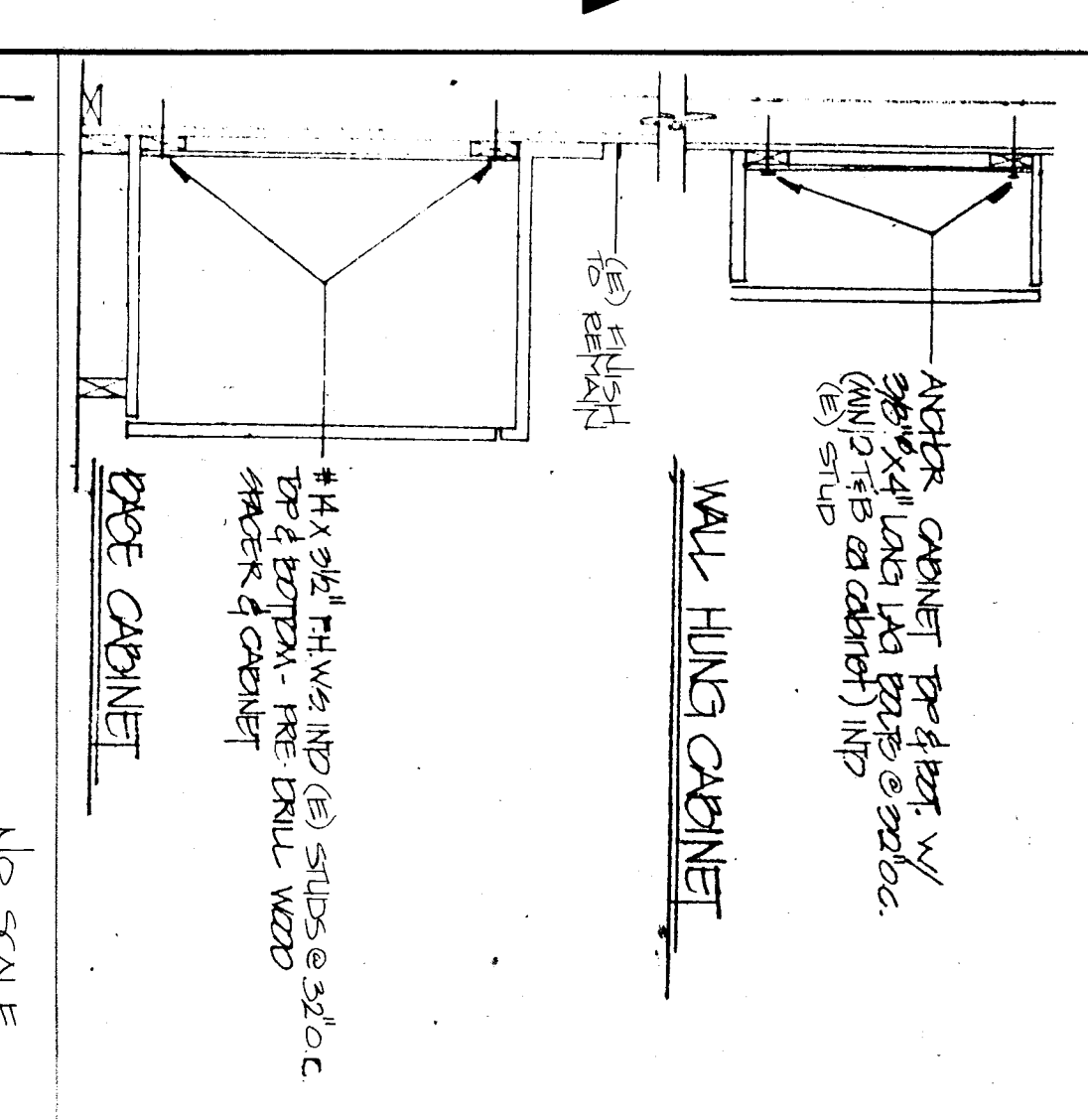
1/16

- 601 SEE MECHANICAL FOR REMOVAL OF (E) EVAPORATIVE COOLERS. INTILL. (E) DUCT OPENING SIMILAR PER DETAIL 1 SHEET A-12
- 602 REMOVE (E) SKYLIGHT. INTILL. (E) ROOF OPENING PER DETAIL 3 SHEET A-12
- 603 SEE MECHANICAL FOR REMOVAL OF (E) UNIT TRAP. SEE DETAIL 1 SHEET A-12 FOR REMOVAL OF (E) UNIT TRAP AND INSTALLATION OF (E) SPOUS VENTILATOR
- 604 PATCH ROOF TO MATCH (E) WHERE FLUE REMOVED THROUGH ROOF



ALL HOTWATER SUPPLY PIPES AND TRAPS AT LAVATORIES SHALL BE INSULATED (TYP)

NOTES:
1. SEE MECHANICAL FOR VENTING REQUIREMENTS TO MATCH USE OF UNIT TRAP FROM BY MANUFACTURED PERSONS
2. ALL ACCESSORIES ARE MOUNTED AT THESE HEIGHTS UNLESS OTHERWISE NOTED
3. FLUSH VALVE IS ALWAYS TO BE ON THE WIDE SIDE OF LAVATORIA STALL



Approved

ARLW

DR QAKNH

DR QAKNH

DR QAKNH

C 3132
C 3388
C 4584
C 8021
C 8702
© Copyright 1989

DR QAKNH

bfgc inc.
architects planners
31 SOUTH HART ROAD SUITE 200
DANFORTH ONTARIO L3R 9V2
416 321 8122

APPLICATION NO. 77/50692
ROOF PLAN, DETAILS
U.O.N. 116/110
MT. VERNON MODERNIZATION
BAKERSFIELD CITY SCHOOL DISTRICT
2161 POTOMAC AVENUE
BAKERSFIELD, CALIFORNIA 93307

Rev 87-126
Date 1 FEB. 89

