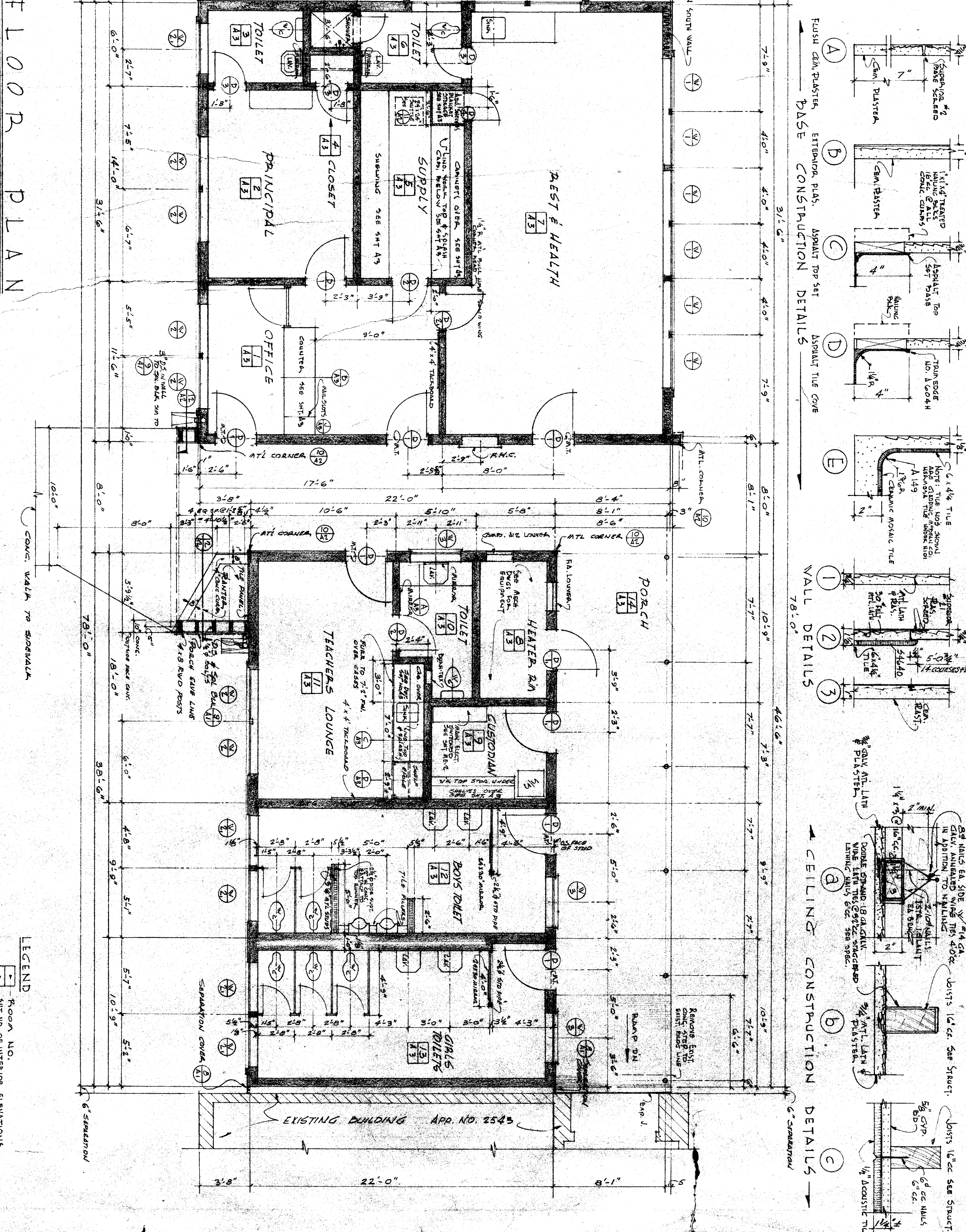
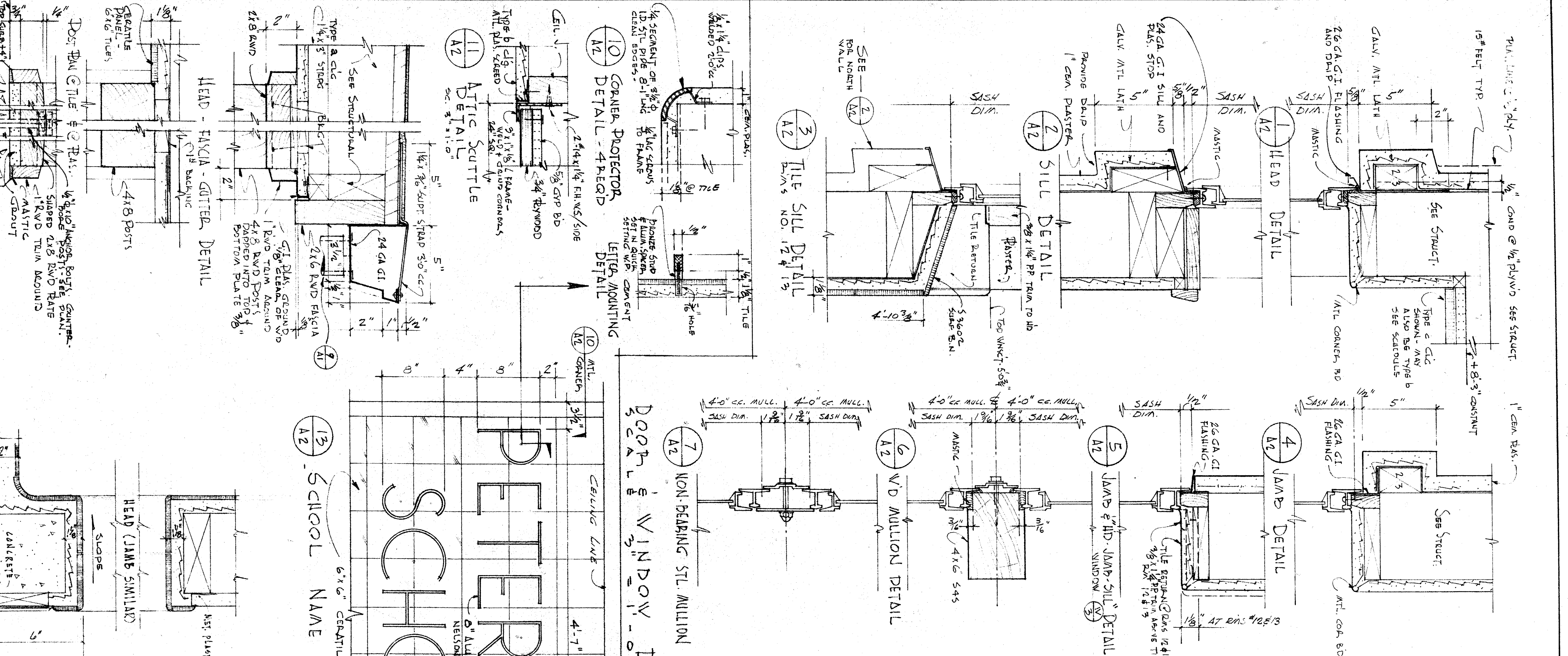
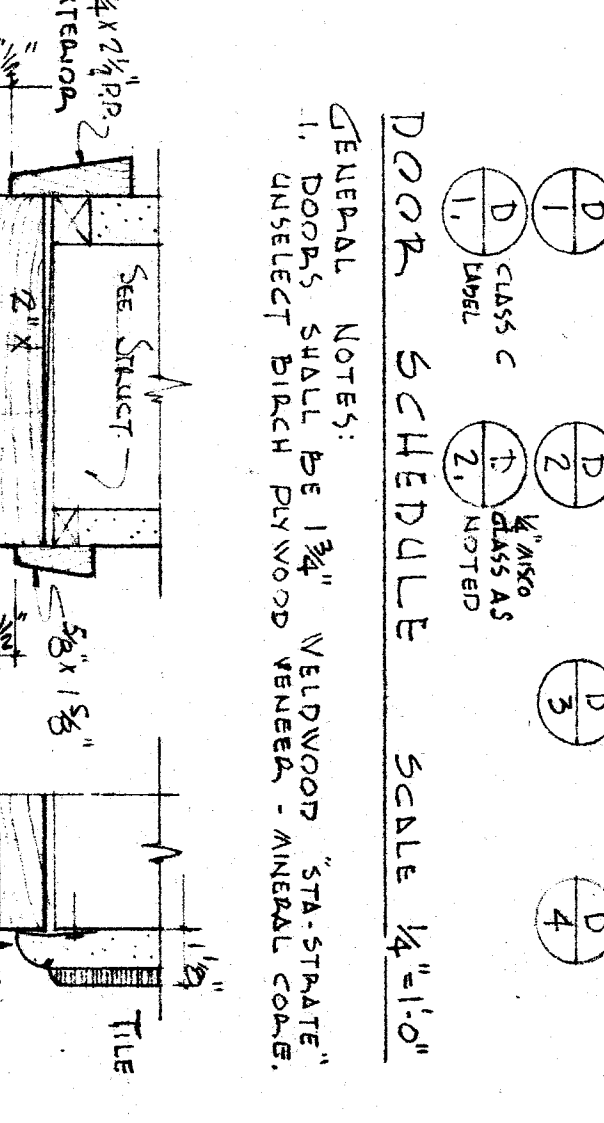
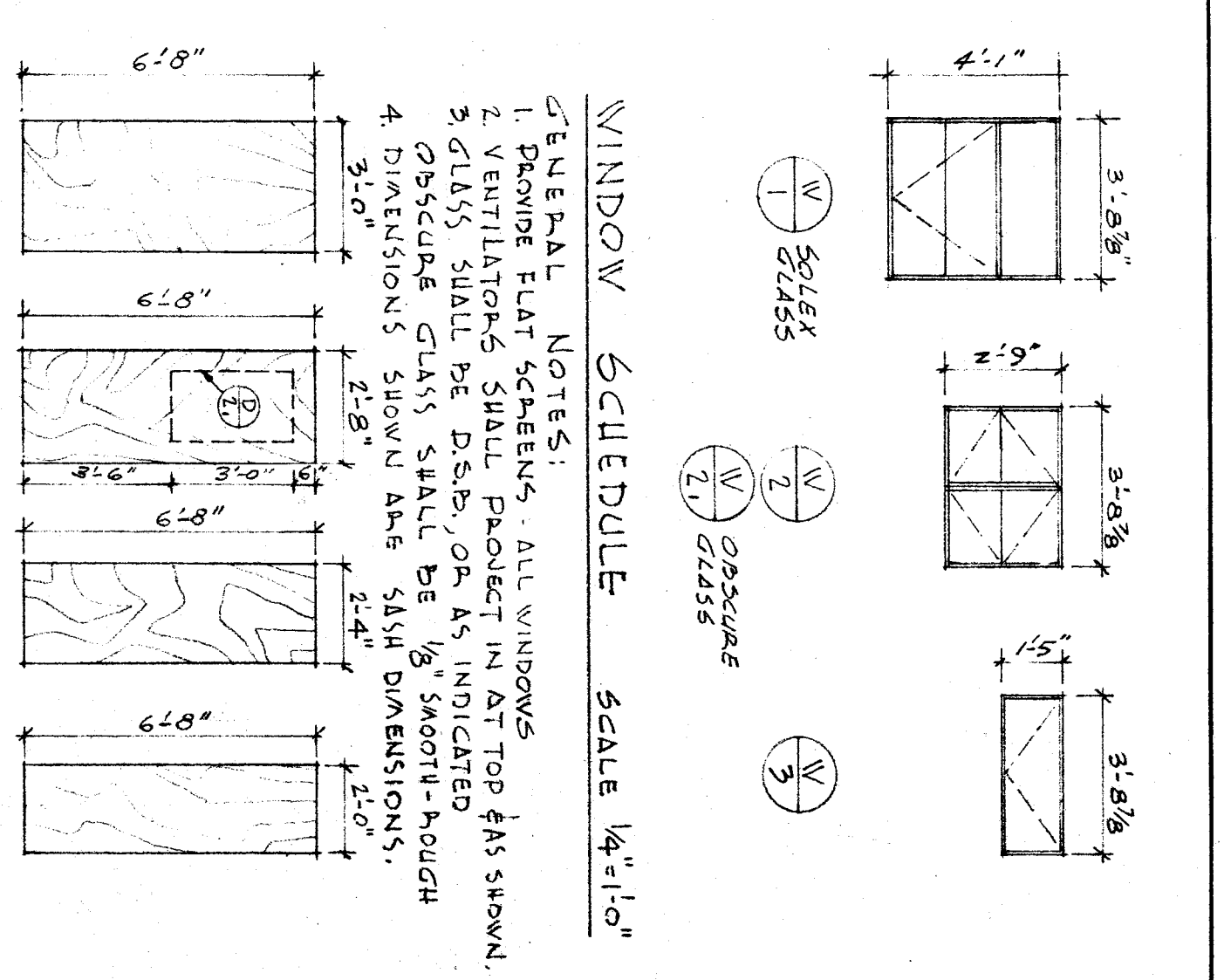


ROOM NUMBER	ROOM NAME	FLOORING	WALL	CEILING	FINISH	THIN
1	OFFICE	CONCRETE ASPHALT TILE	SEE LEGEND	SEE LEGEND	SEE LEGEND	SEE LEGEND
2	PRINCIPAL	CERAMIC TILE	SEE LEGEND	SEE LEGEND	SEE LEGEND	SEE LEGEND
3	TOILET	CERAMIC TILE	SEE LEGEND	SEE LEGEND	SEE LEGEND	SEE LEGEND
4	CLOSET	CONSTR. DETAIL	SEE LEGEND	SEE LEGEND	SEE LEGEND	SEE LEGEND
5	SUPPLY	CONSTR. DETAIL	SEE LEGEND	SEE LEGEND	SEE LEGEND	SEE LEGEND
6	TOILET	CERAMIC TILE	SEE LEGEND	SEE LEGEND	SEE LEGEND	SEE LEGEND
7	REST & HEALTH	SEE LEGEND	SEE LEGEND	SEE LEGEND	SEE LEGEND	SEE LEGEND
8	HEATER RM	SEE LEGEND	SEE LEGEND	SEE LEGEND	SEE LEGEND	SEE LEGEND
9	CUSTODIAN	SEE LEGEND	SEE LEGEND	SEE LEGEND	SEE LEGEND	SEE LEGEND
10	TOILET	SEE LEGEND	SEE LEGEND	SEE LEGEND	SEE LEGEND	SEE LEGEND
11	TEACHERS LOUNGE	SEE LEGEND	SEE LEGEND	SEE LEGEND	SEE LEGEND	SEE LEGEND
12	BOYS TOILET	SEE LEGEND	SEE LEGEND	SEE LEGEND	SEE LEGEND	SEE LEGEND
13	GIRLS TOILET	SEE LEGEND	SEE LEGEND	SEE LEGEND	SEE LEGEND	SEE LEGEND
14	PORCH	SEE LEGEND	SEE LEGEND	SEE LEGEND	SEE LEGEND	SEE LEGEND



PETER PAN SCHOOL
 NEVADA HARBOR INDUSTRIAL PARK
 SCALE 1/4"=1'-0"

W. A. STAINS
 CONSULTING ENGINEER
 MECH. ENGR. REG. NO. 1603
 1603 CALIFORNIA AVENUE
 BAKERSFIELD, CALIFORNIA

HILLER & WISE, INC.
 CONSULTING ENGINEERS
 311 W. WASHINGTON STREET
 BAKERSFIELD, CALIFORNIA

ARCHITECTS
 PLAN, SCHEDULES - DETAILS
 ADMINISTRATION BUILDING TO PETER PAN SCHOOL
 BAKERSFIELD CITY SCHOOL DISTRICT
 BAKERSFIELD, CALIFORNIA

FINISH LEGEND
 1. FACTORY FINISH
 2. WAXED
 3. ENAMEL
 4. STAINLESS STEEL
 5. STAINLESS STEEL
 6. STAINLESS STEEL
 7. STAINLESS STEEL
 8. STAINLESS STEEL
 9. STAINLESS STEEL