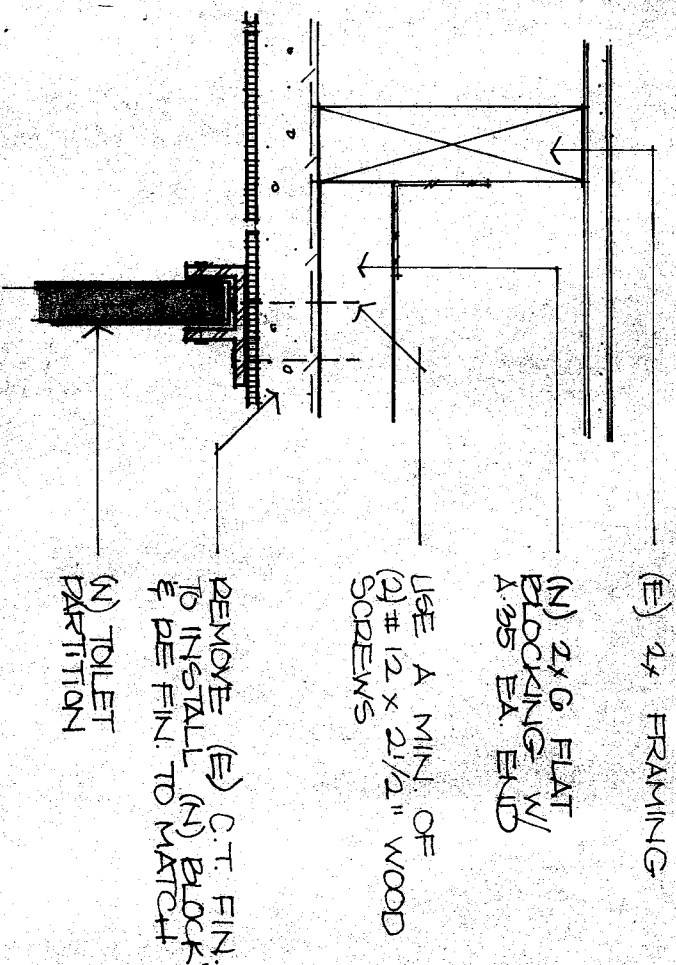
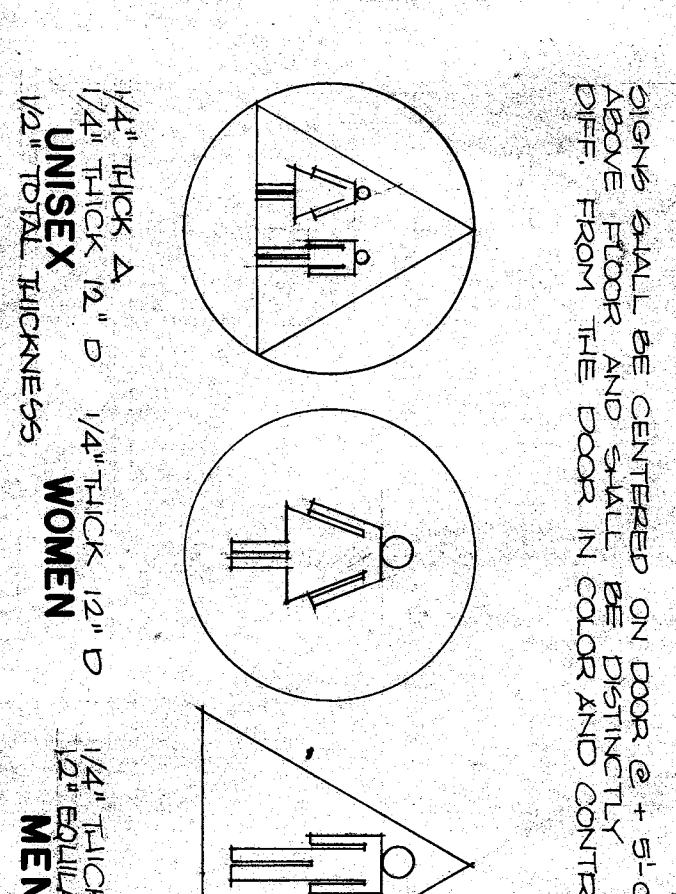


WHITE FINISH  
WITHIN 1/8" OF  
OUTLINE  
(SEE SCHEDULE  
ITEMS 1 & 2)

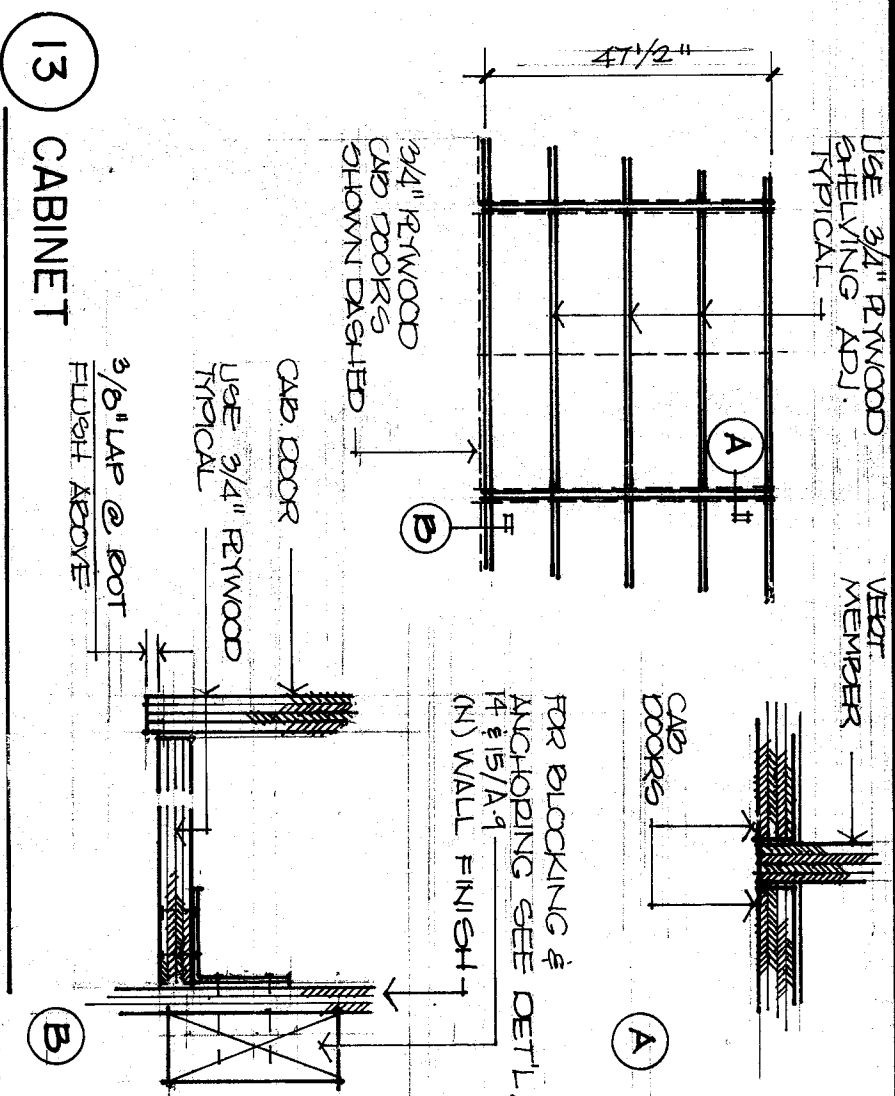
1 H.C. FIGURE PROPORTIONS



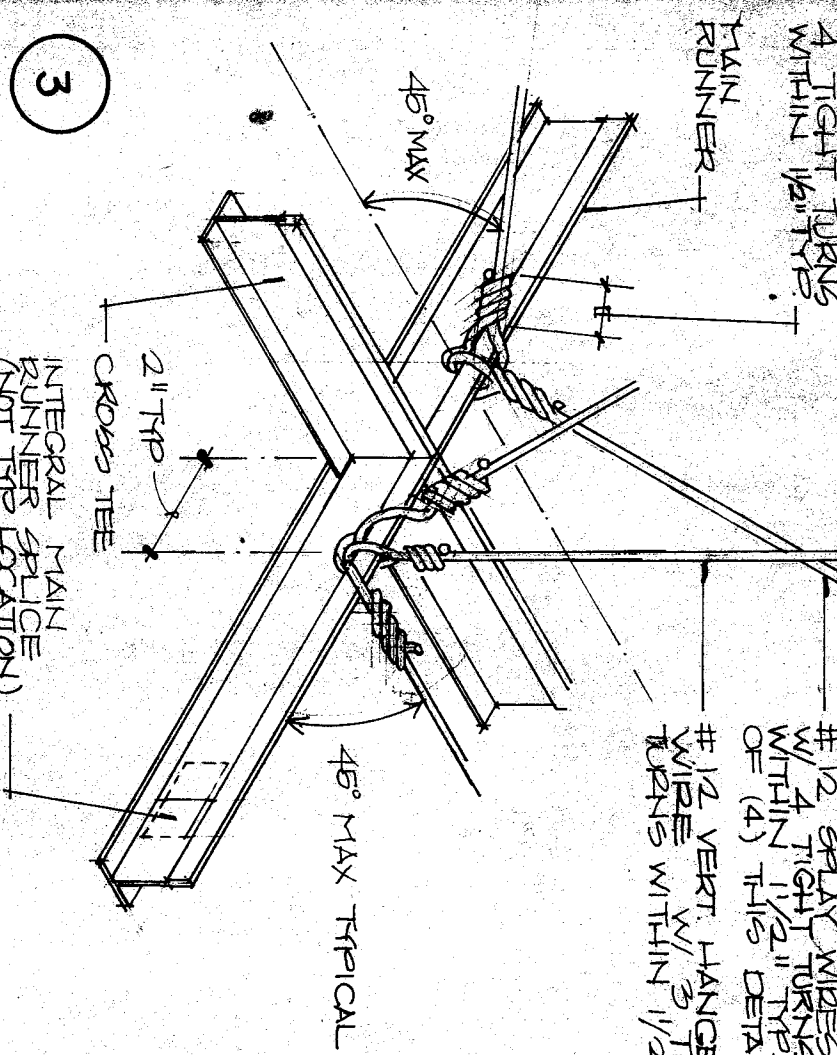
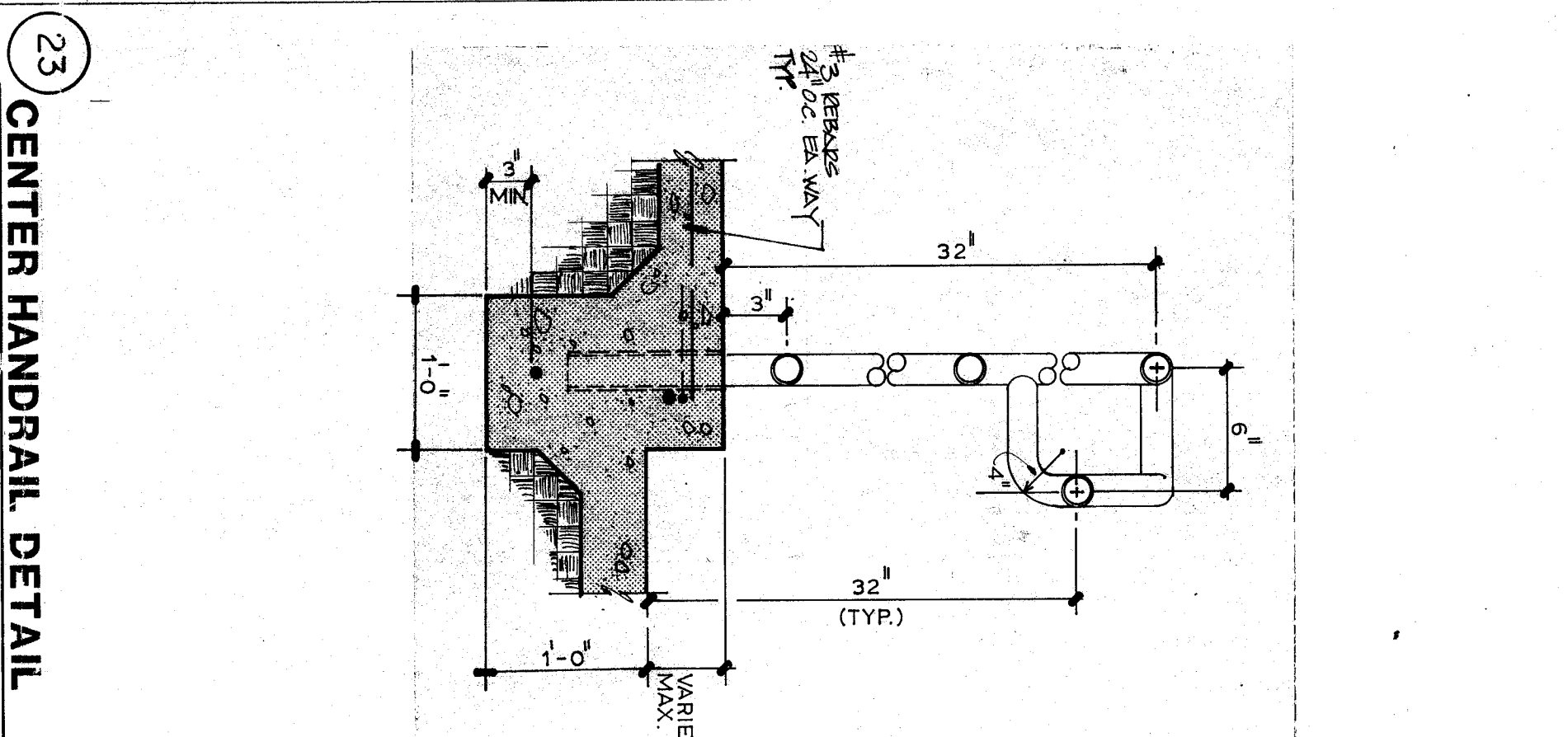
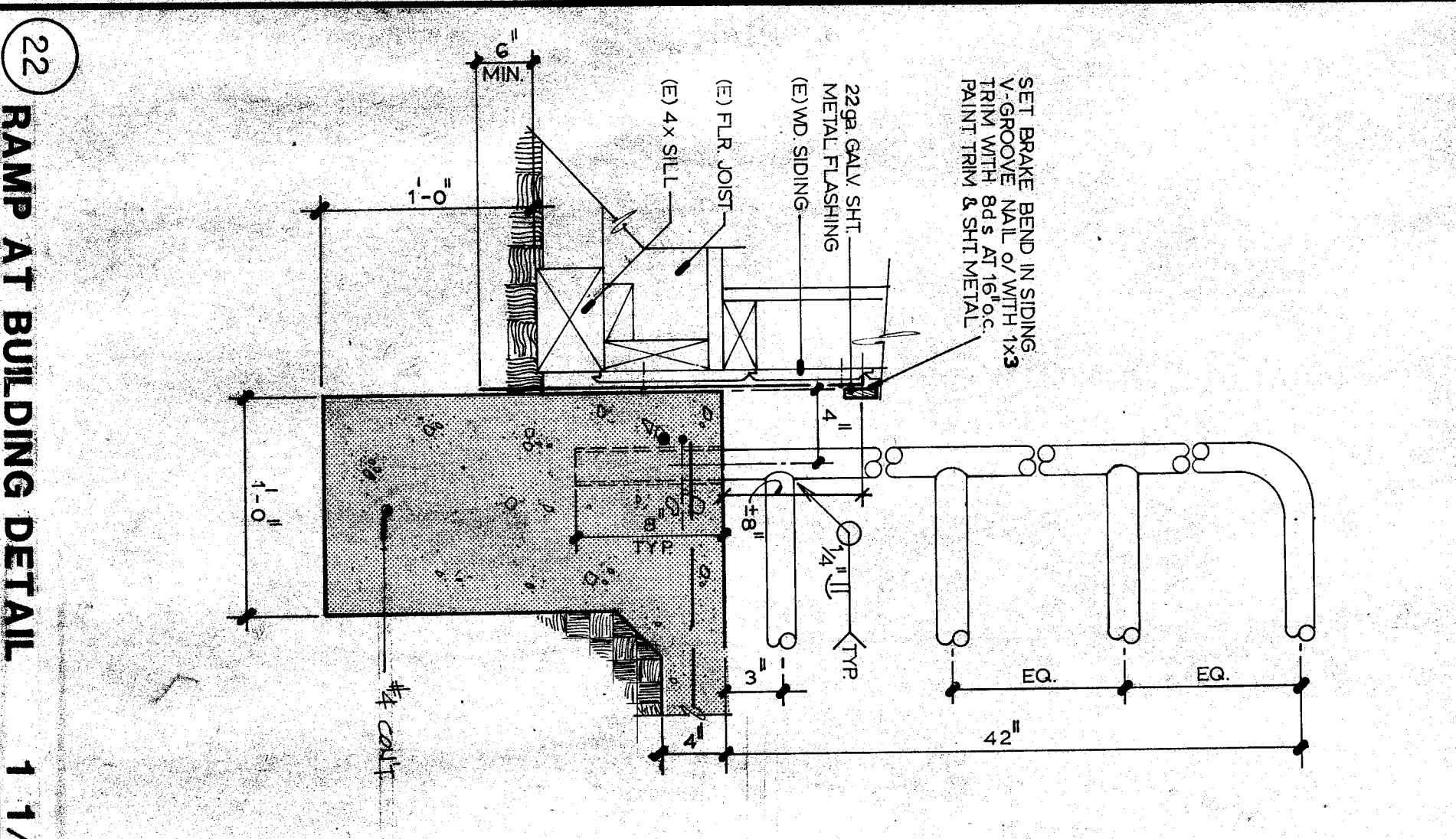
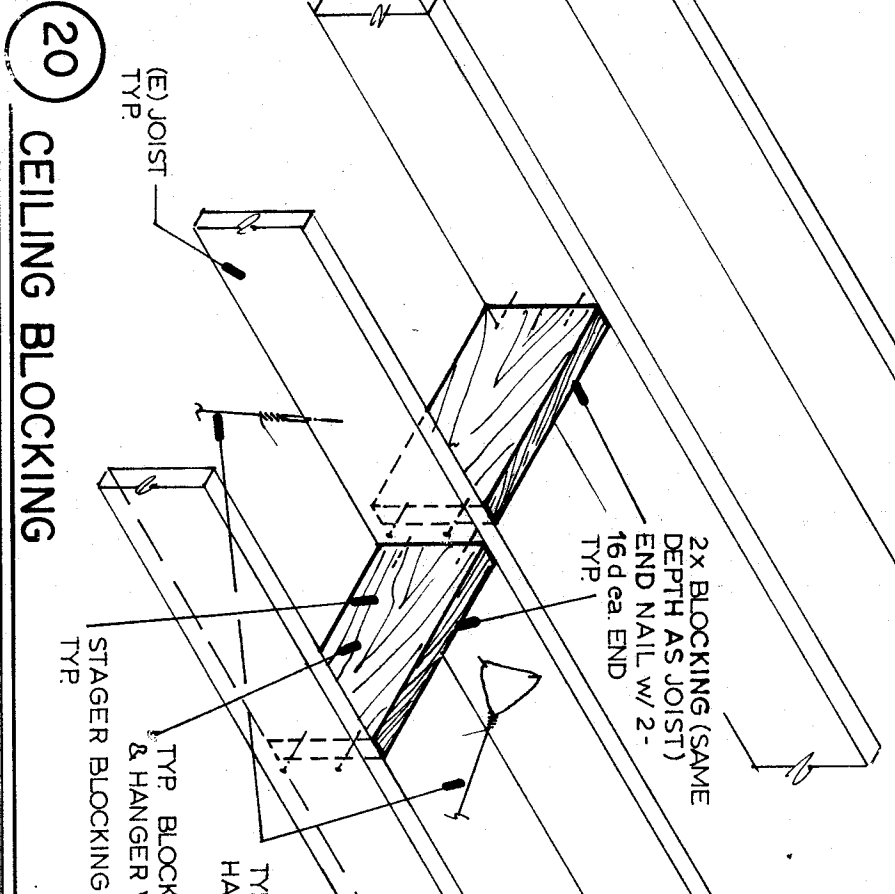
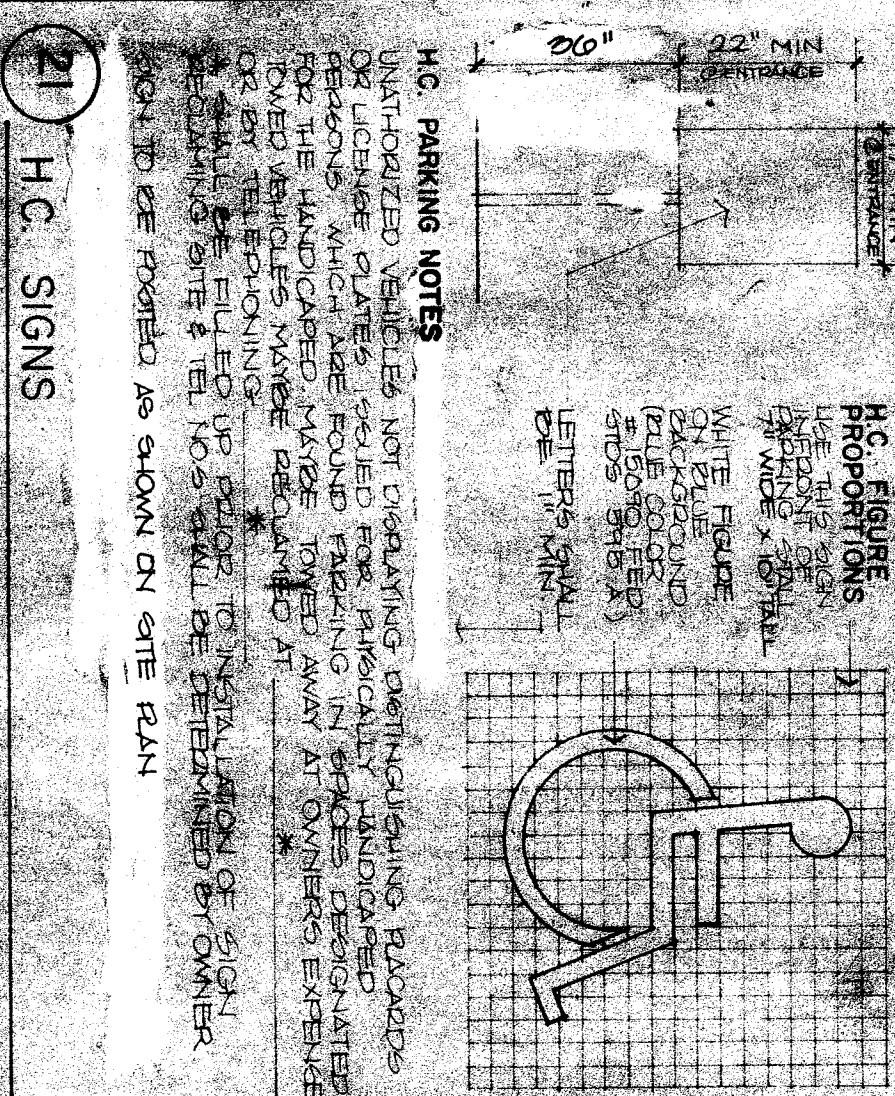
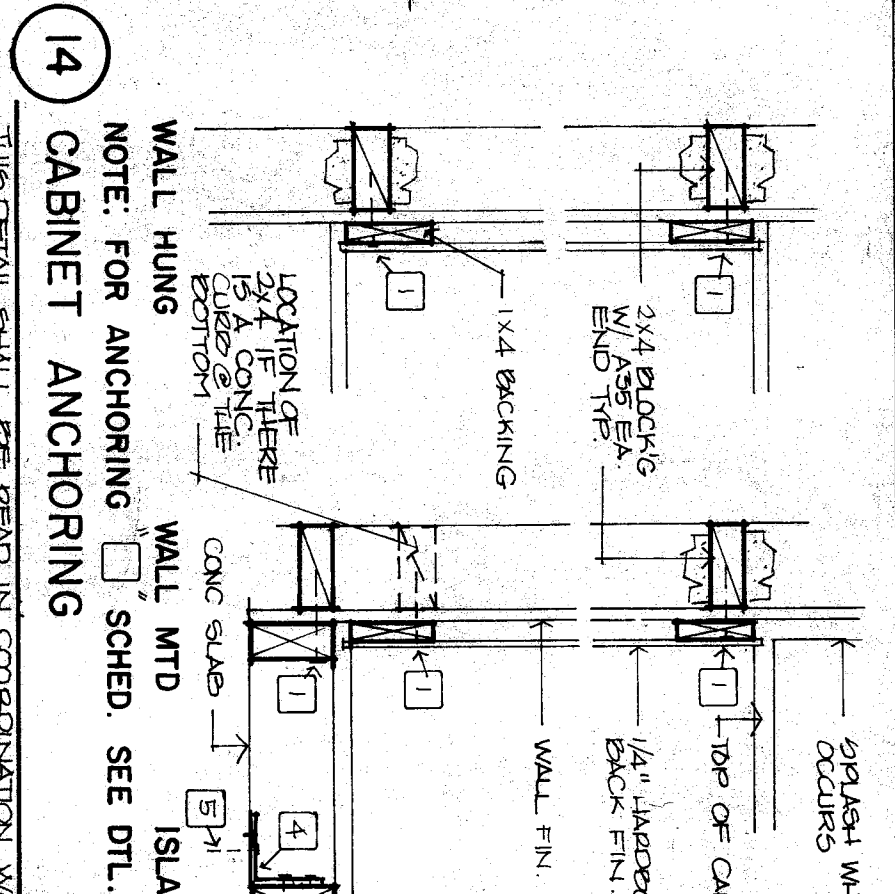
2 THRESHOLD/ REDUCER STRIP



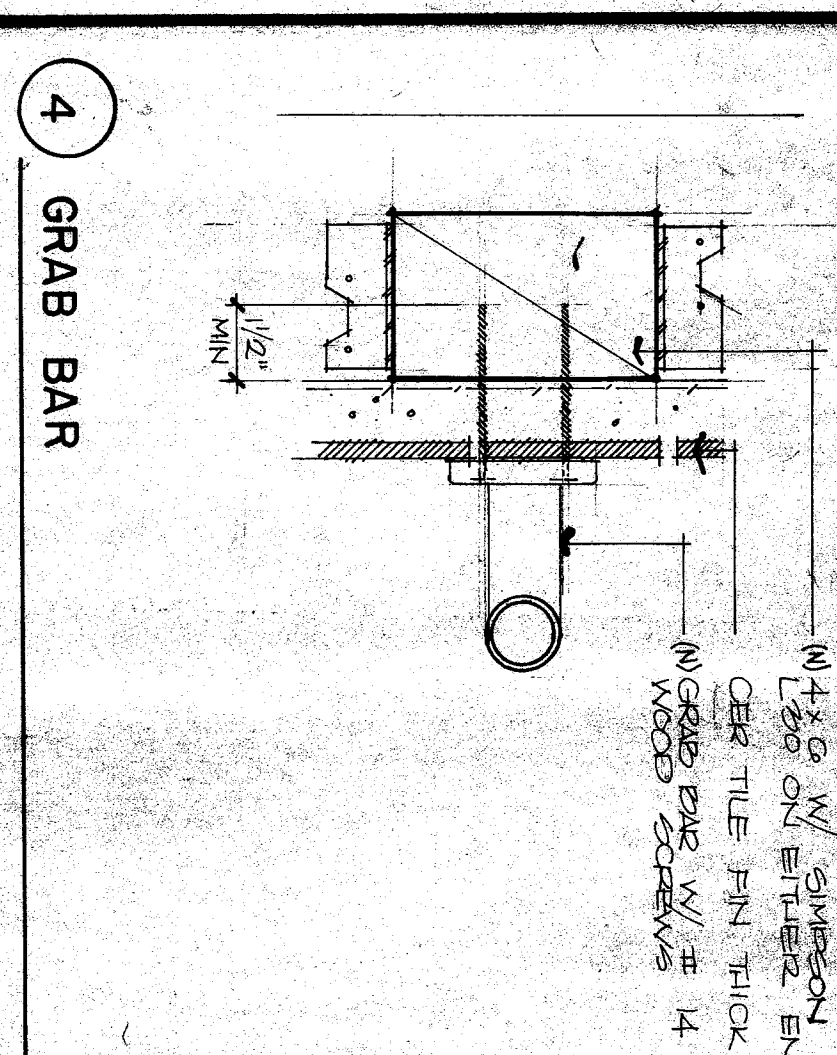
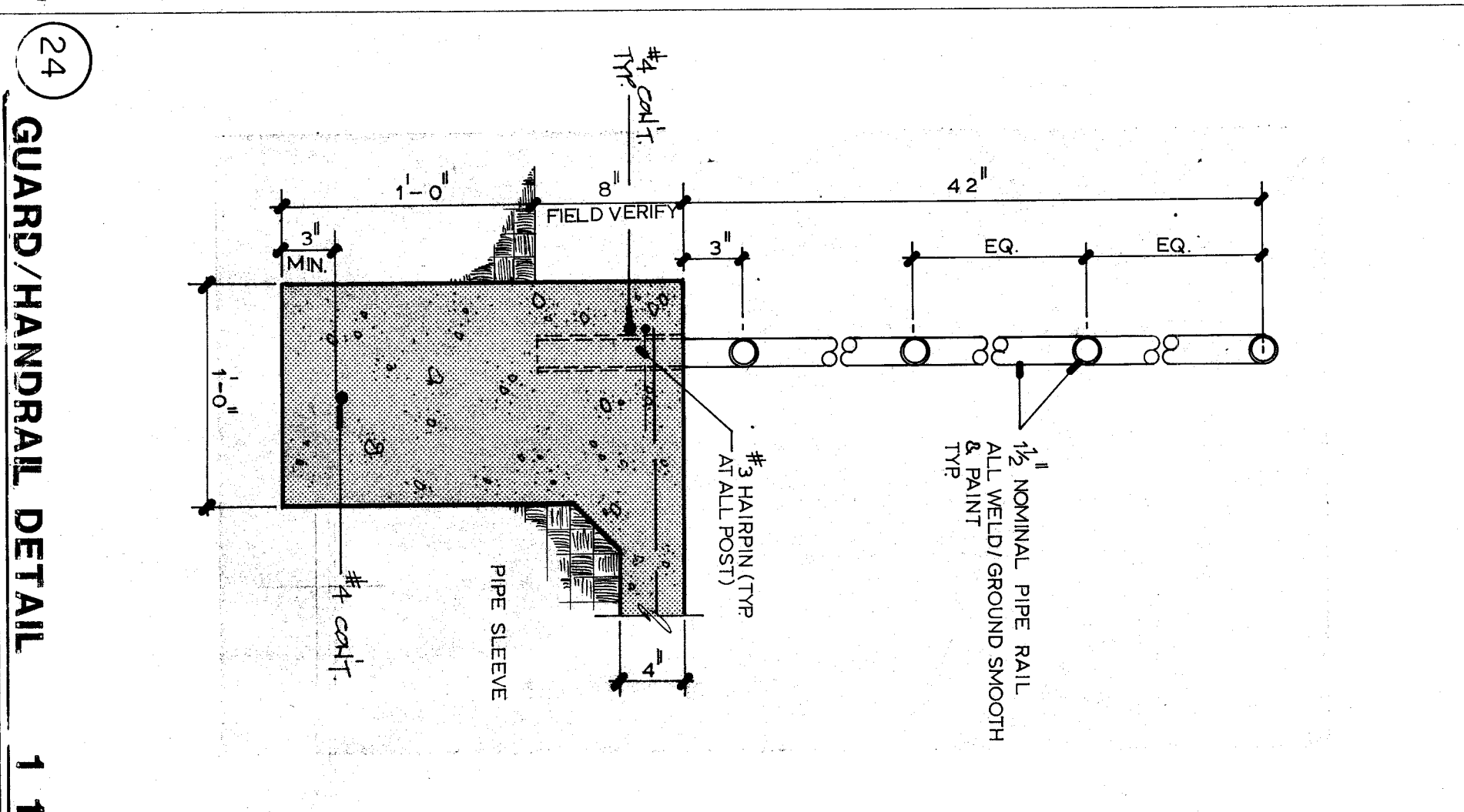
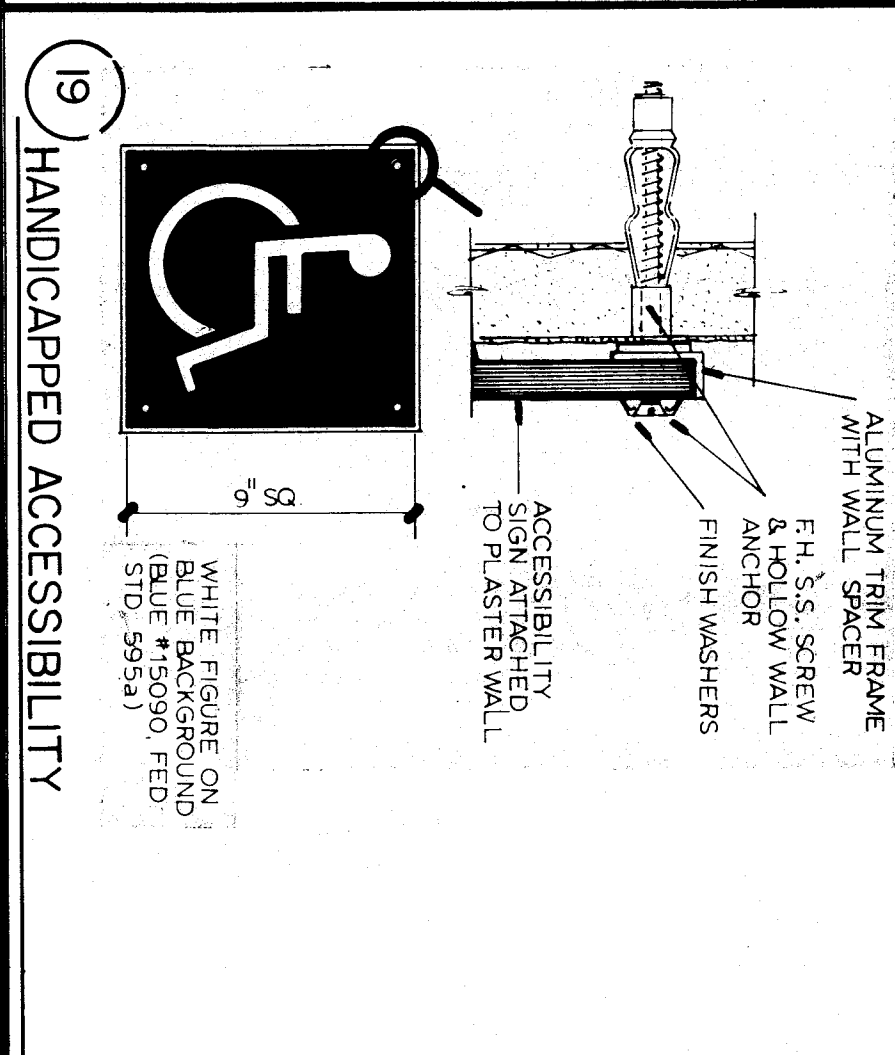
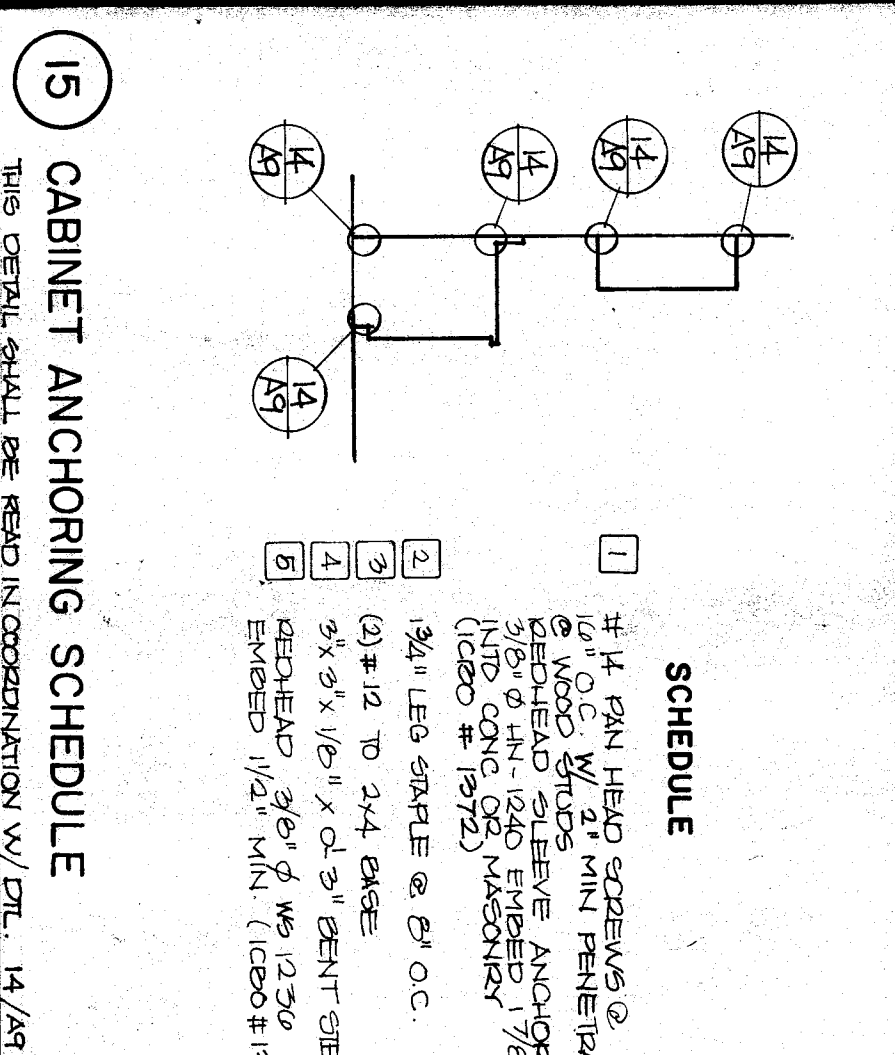
7 TOILET PARTITION ANCHORING



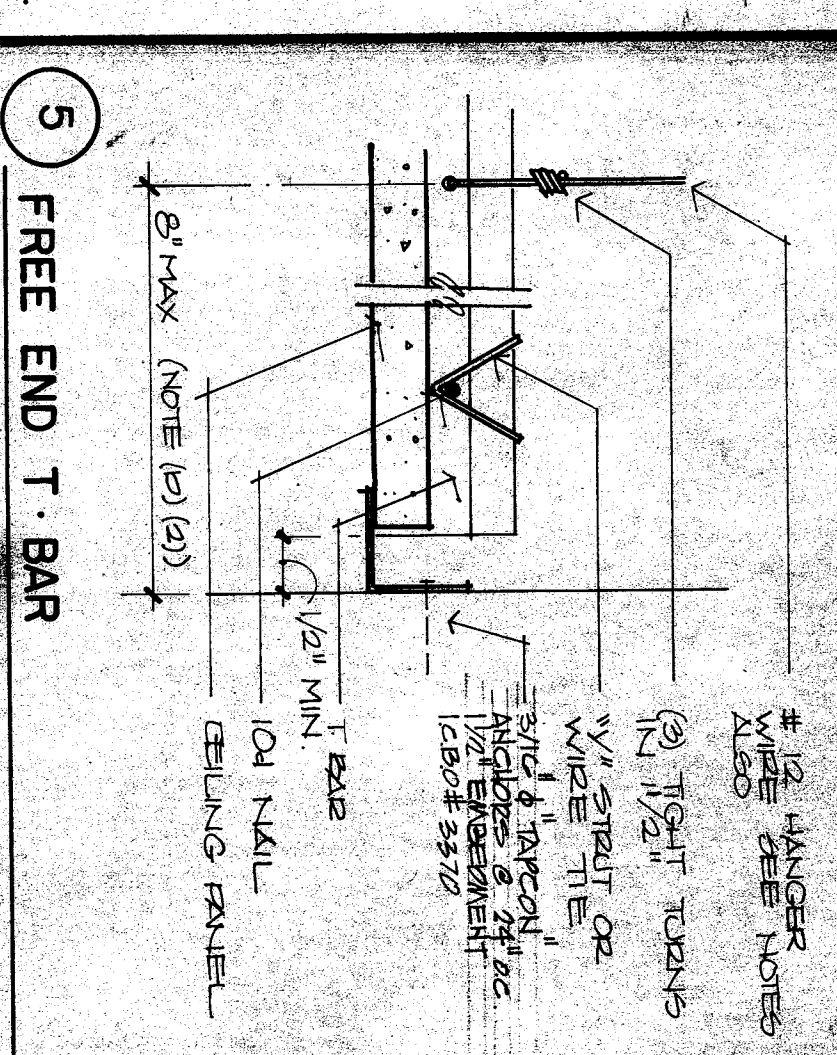
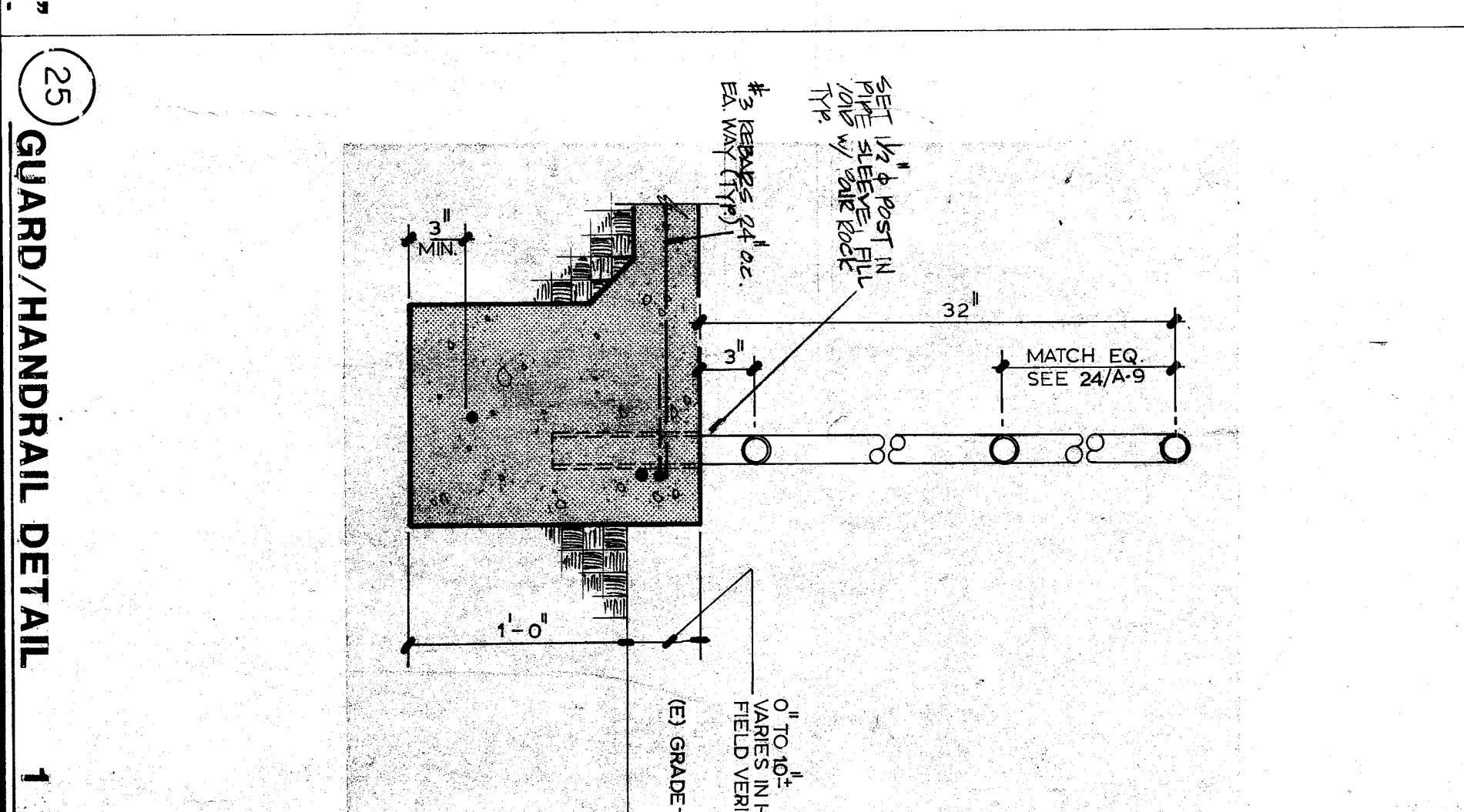
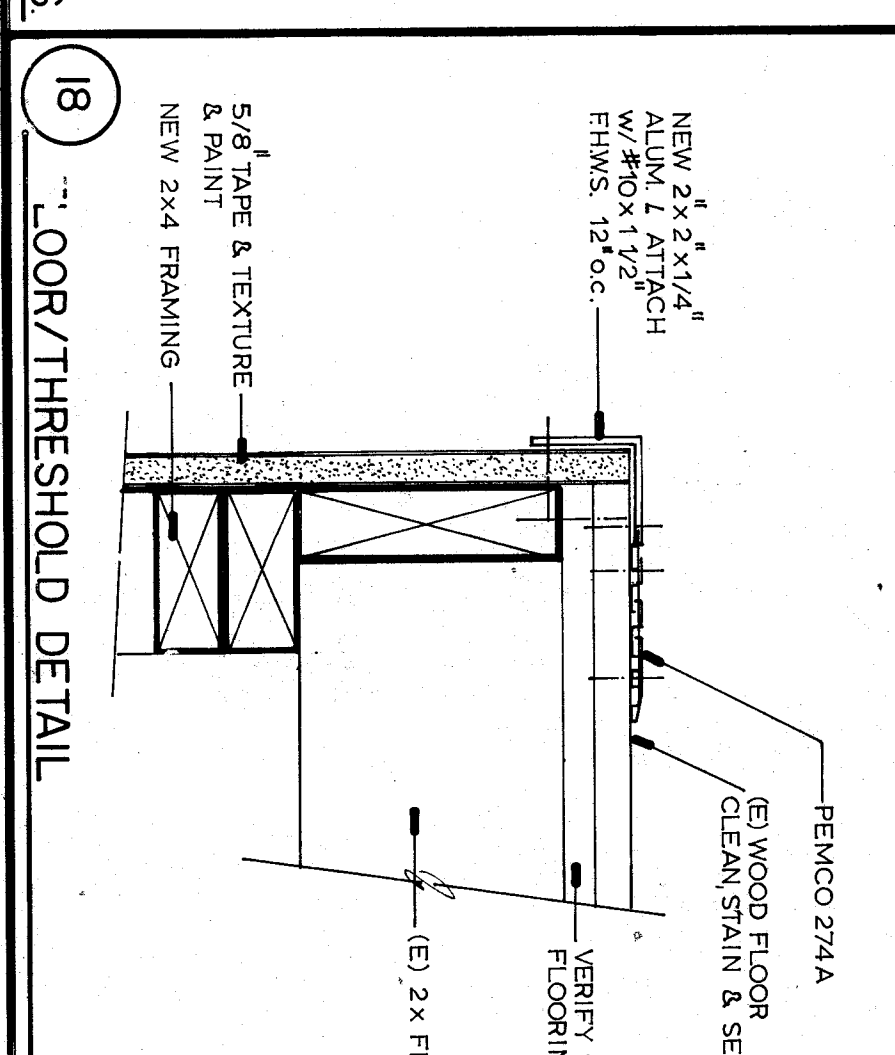
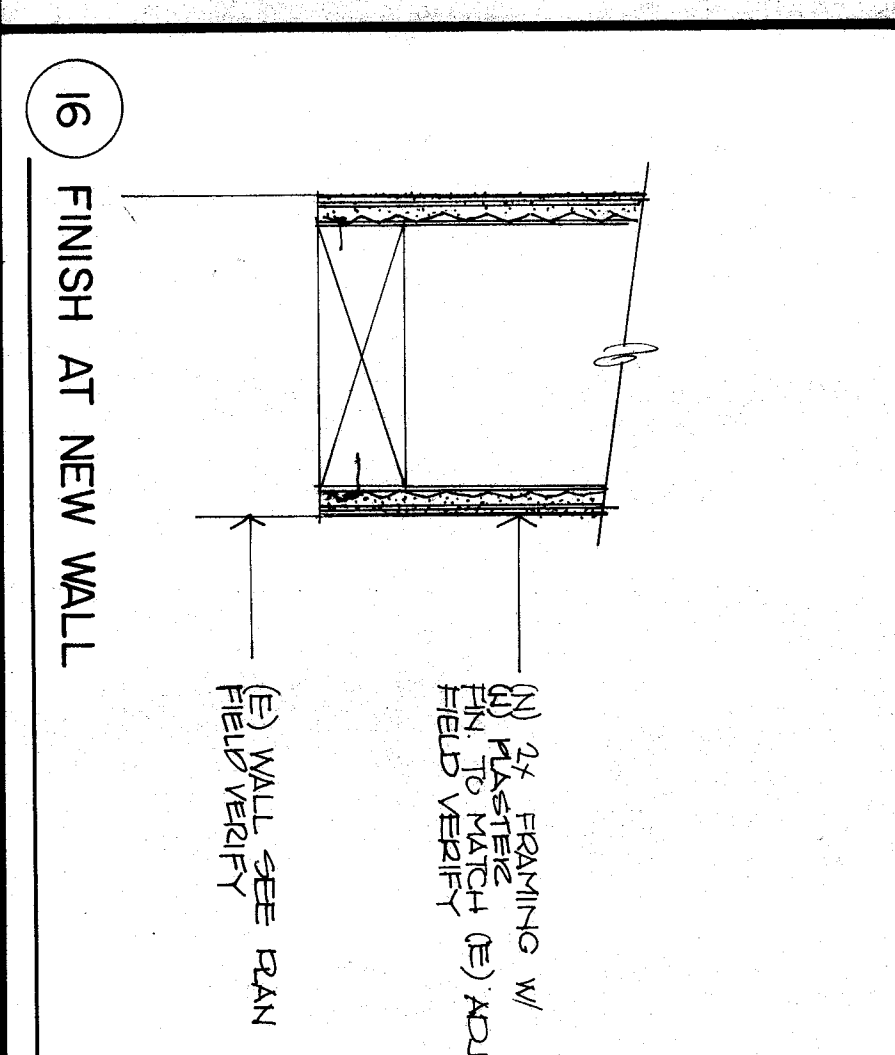
8 TOILET ROOM H.C. SIGNS



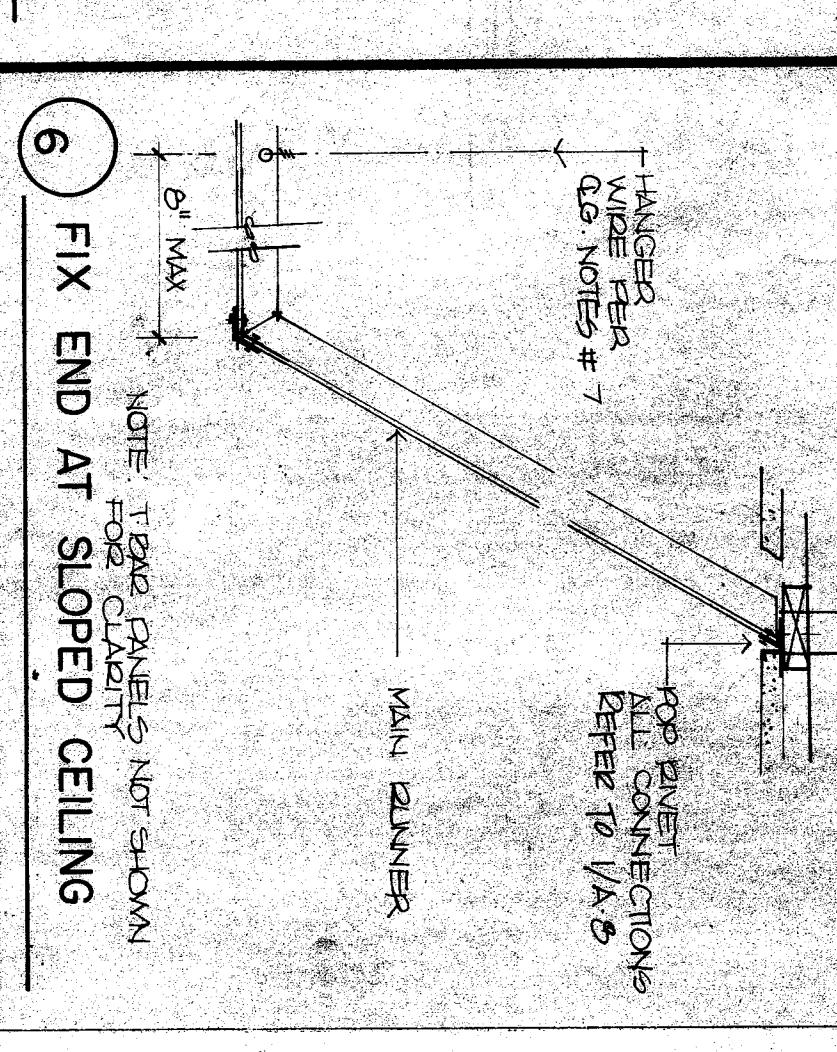
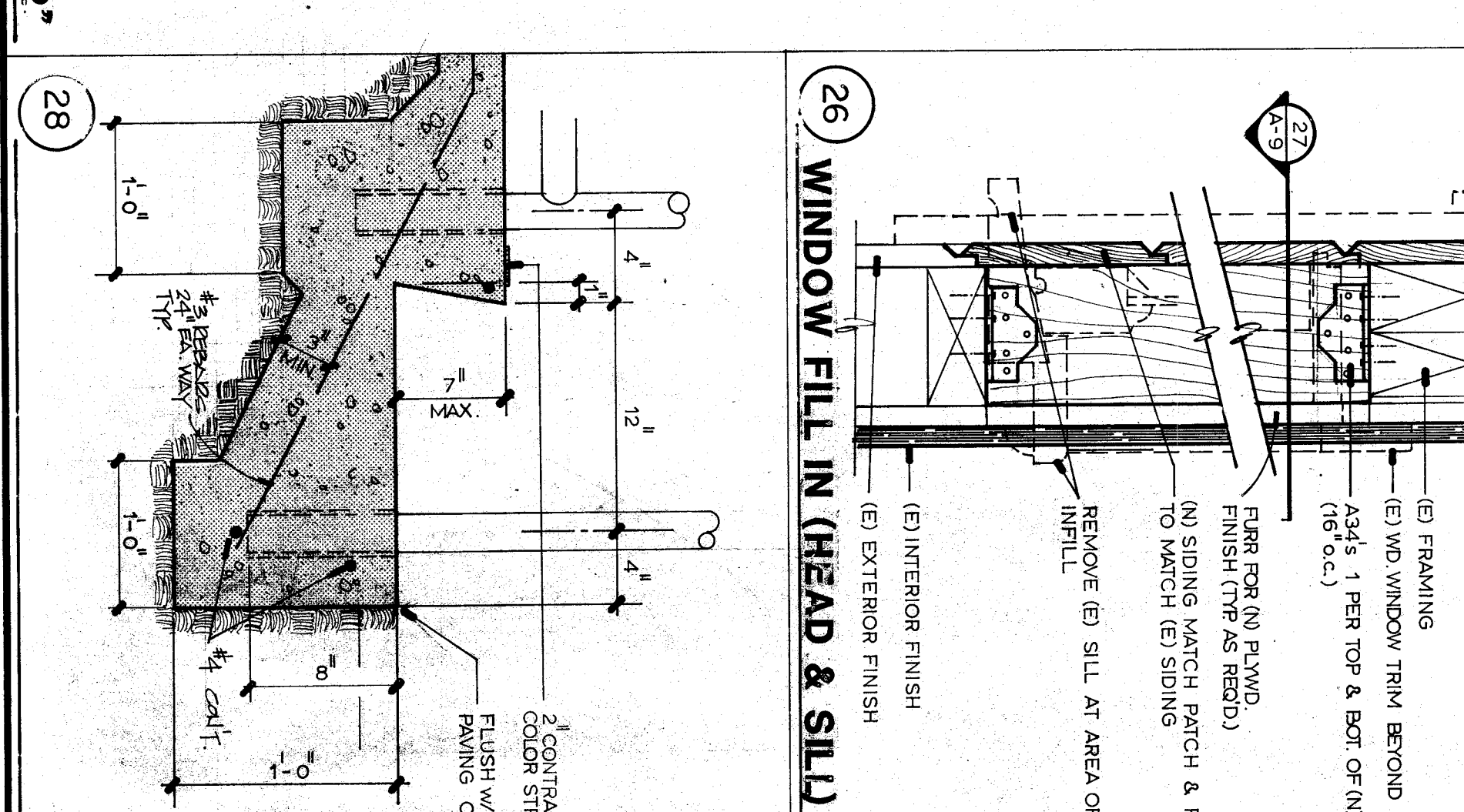
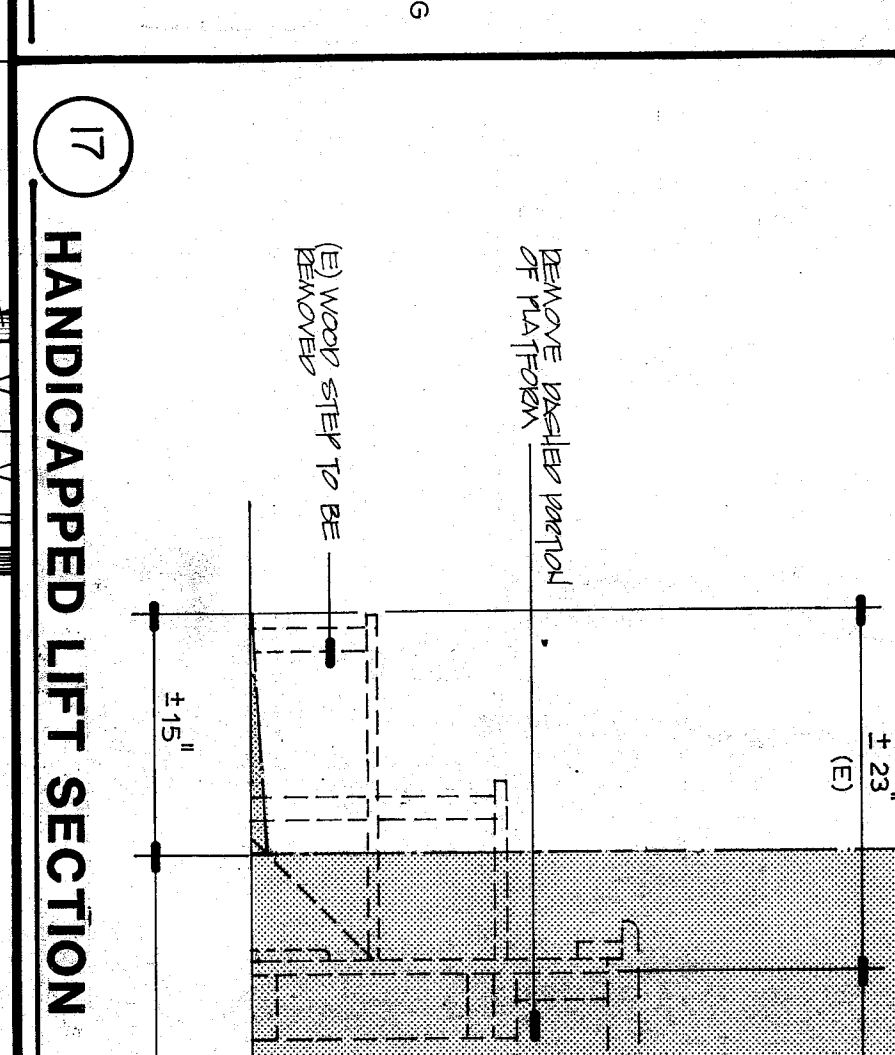
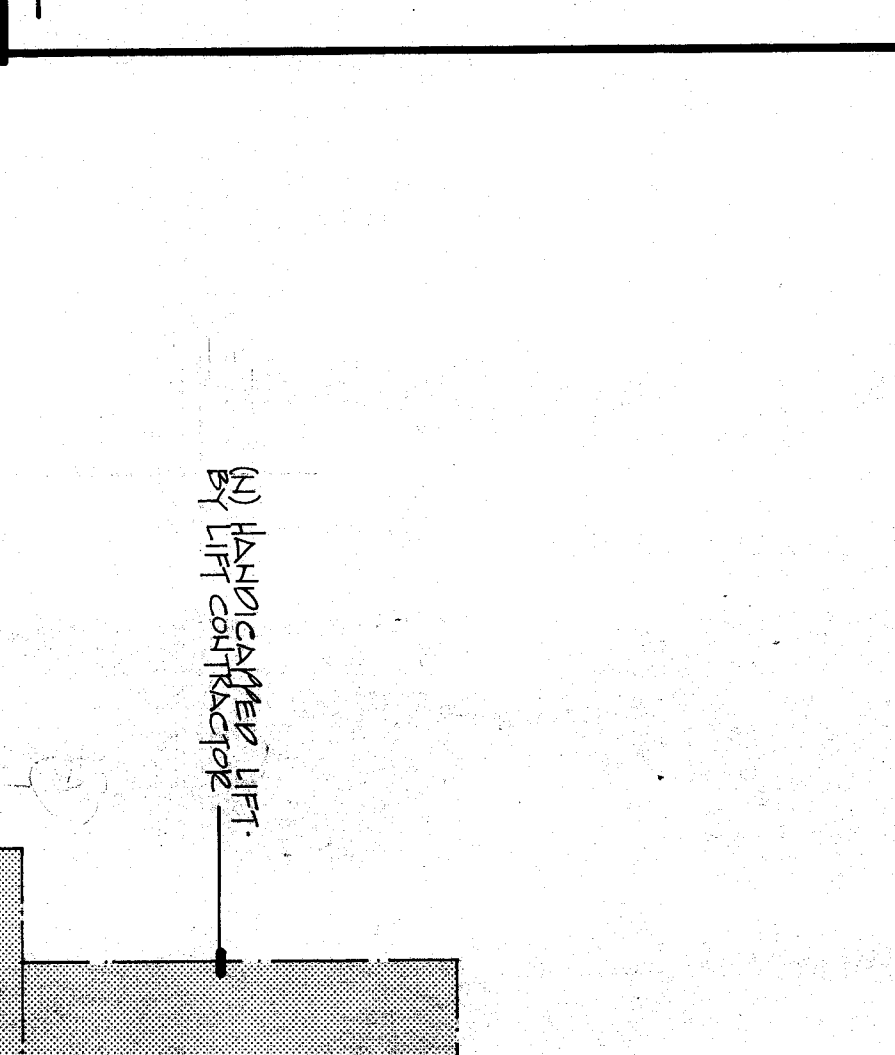
9 SPLAY WIRE/ HANGER DETAILS



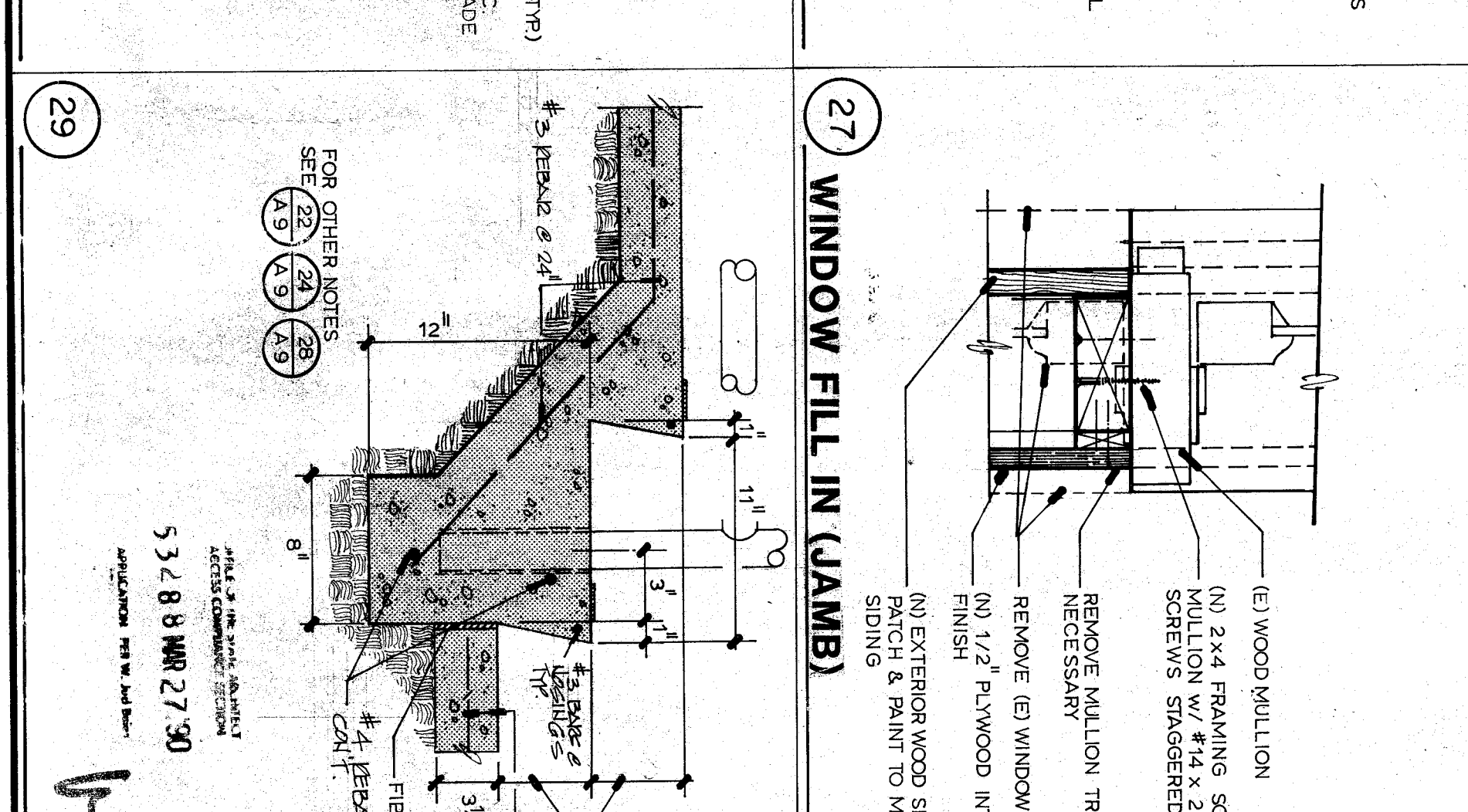
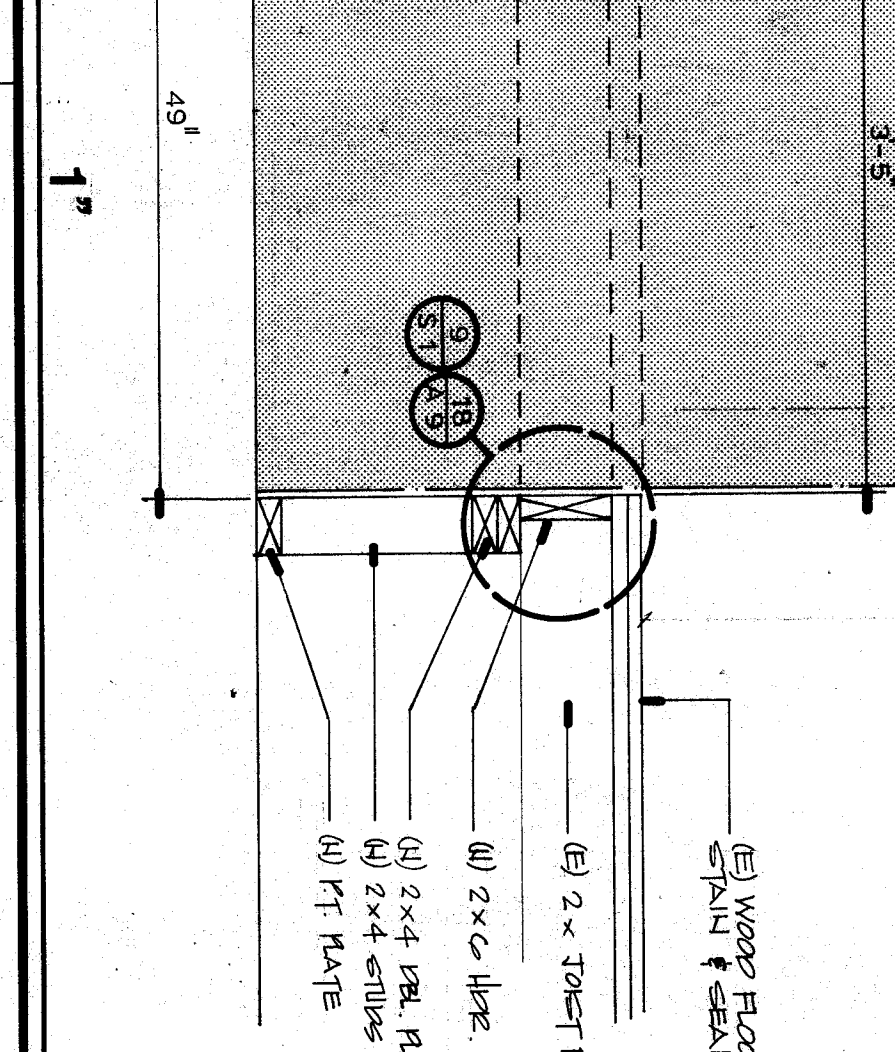
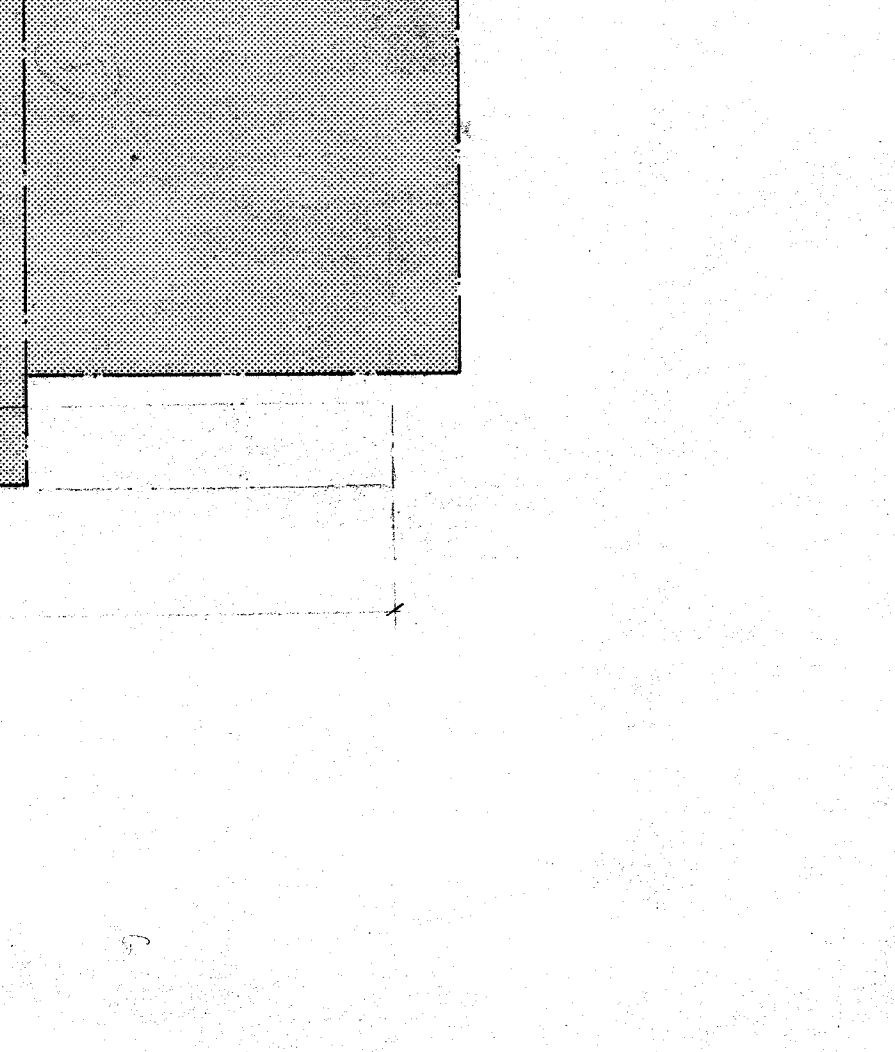
10 GRAB BAR



11 FIX END OF T-BAR



12 (N) RAMP AT CURB



ROBERT F. STUHR ARCHITECT INC.  
3121 CALIFORNIA AVE.  
BAKERSFIELD, CA 93304  
(805) 327-1632

ROBERT F. STUHR, AIA  
WILLIAM J. WEIBMAN, AIA  
DANNY E. ORNDZ, AIA  
C-1610  
C-16885  
C-14728

MISCELLANEOUS DETAILS  
**RAFER JOHNSON SCHOOL**  
1001 10TH. ST., BAKERSFIELD, CA.  
BAKERSFIELD CITY SCHOOL DISTRICT  
KERN COUNTY, CALIFORNIA

CHECK AND VERIFY ALL DIMENSIONS BEFORE PROCEEDING WITH THE WORK. REPORT DISCREPANCIES IN WRITING TO THE ARCHITECT. CONFORM TO USC.

MARK DATE REVISIONS

JOB NO. 644  
DRAWN BY E.M.C.  
CHECKED BY E.M.C.  
DATE

FOR OTHER NOTES SEE SHEETS 28, 29, 30

DATE: 5/3/88  
BY: E.M.C.

OF 9 SHEETS