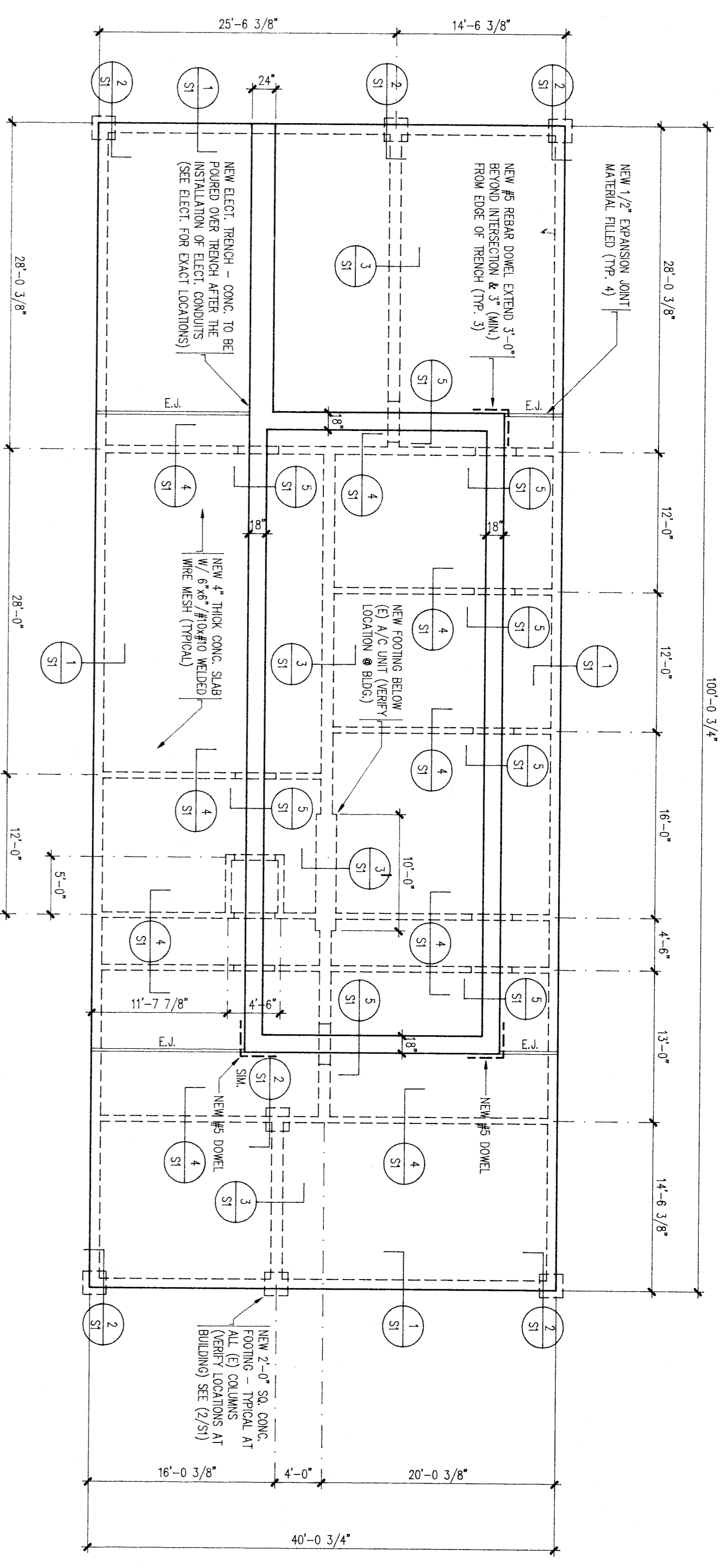


GENERAL NOTES

1. FOUNDATION: SOIL IS CLASSIFIED AS SANDY SILT. ALLOWABLE BEARING PRESSURE: 2000 PSF. DL & LL.
2. FOOTING DEPTHS SHOWN ON DRAWINGS ARE THE MINIMUM ALLOWABLE UNDISTURBED NATURAL GROUND.
3. ALL FOOTINGS SHALL EXTEND AT LEAST 6 INCHES INTO FIRM AND UNDISTURBED NATURAL GROUND.
4. ALL BEARING FOUNDATIONS SHALL BE POURED AGAINST WOOD FORMS EXCEPT THAT FOUNDATIONS MAY BE POURED INTO NEAT EXCAVATIONS PROVIDED APPROVAL IS OBTAINED FROM THE ARCHITECT. ALL REINFORCING BARS ARE INDICATED BY 7 INCHES IN WIDTH FROM THAT DETAIL.
5. THE ARCHITECT SHALL BE NOTIFIED UPON COMPLETION OF EXCAVATION SO THAT INSPECTION MAY BE MADE BEFORE CONCRETE OR SHOULDER IS POURED.

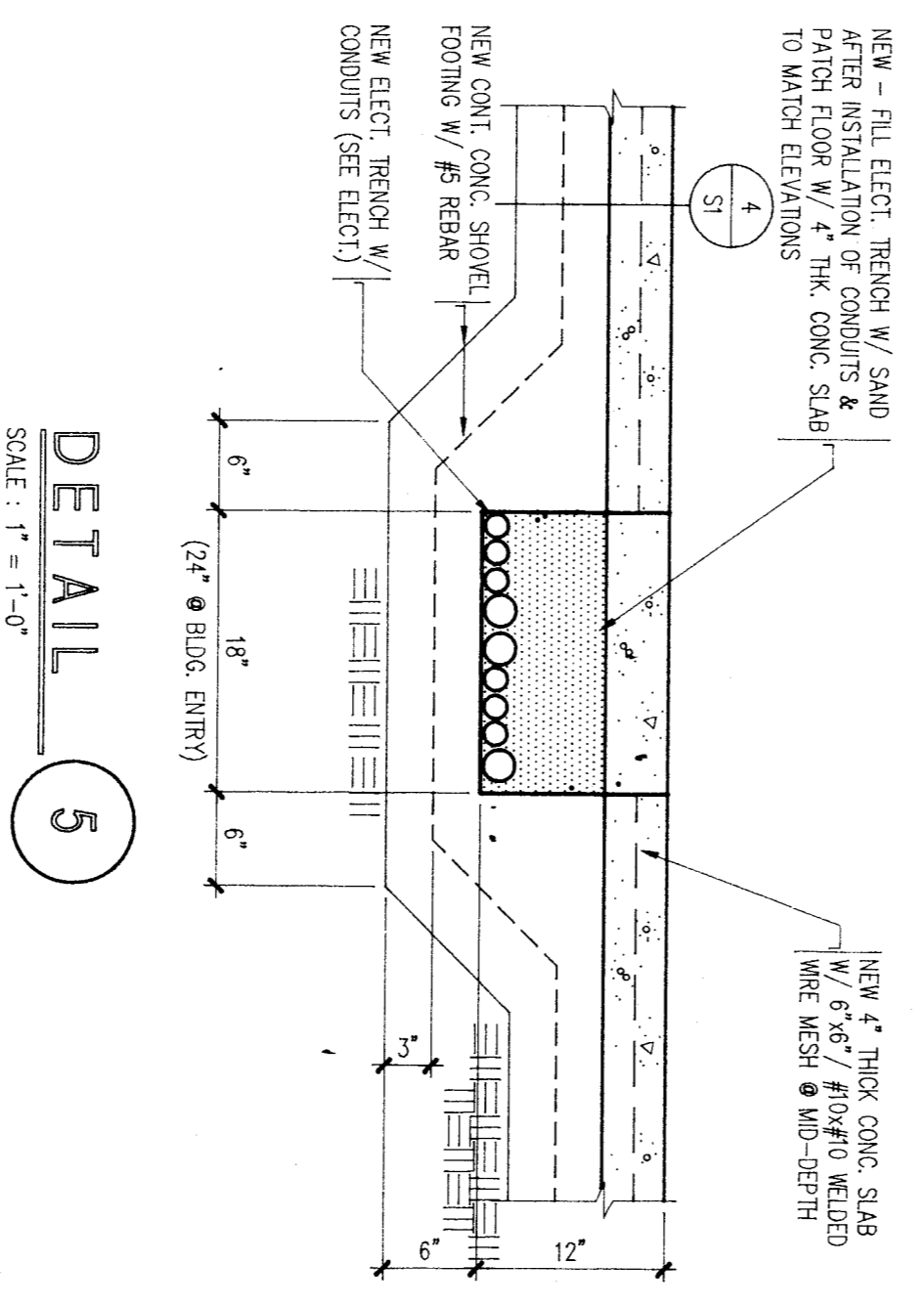
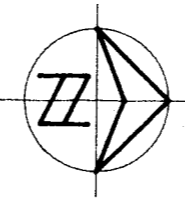
CONCRETE:

1. MINIMUM CONCRETE STRENGTH AT 28 DAYS SHALL BE: 3000 PSF FOR FOOTINGS AND FOUNDATION 2500 PSF FOR SLABS
2. CLEAR COVERAGE OF REINFORCING SHALL BE:
 - 1" FOR WALL BARS
 - 1" FOR MAIN BEAM BARS
 - 2" FOR MAIN COLUMN BARS
 - 3" FOR CONC. POURED AGAINST EARTH
3. SPICES IN COMPRESSIVE BARS OF FOOTINGS, WALLS, ETC., SHALL BE AT LEAST 32 DIAMETERS. ALL REINFORCING STEEL SHALL BE SECURELY WELDED IN PLACE AND SHALL BE PROPERLY SUPPORTED ABOVE THE GROUND, AWAY FROM FORMS, ETC., IN POSITION AS A MINIMUM OF 3".
4. HORIZONTAL BARS OF DOUBLE CURTAIN REINFORCING SHALL BE STRAGGERED.
5. ALL CONCRETE SHALL BE REINFORCED. WHERE SECTIONS DO NOT INDICATE COMPLETE DETAILS OF THE REINFORCEMENT, THEY SHALL BE REINFORCED AS SHOWN IN TYPICAL DETAILS AND SCHEDULES.
6. ALL CORNERS SHALL BE CHAMFERED UNLESS OTHERWISE INDICATED (3/4" CHAMFER)

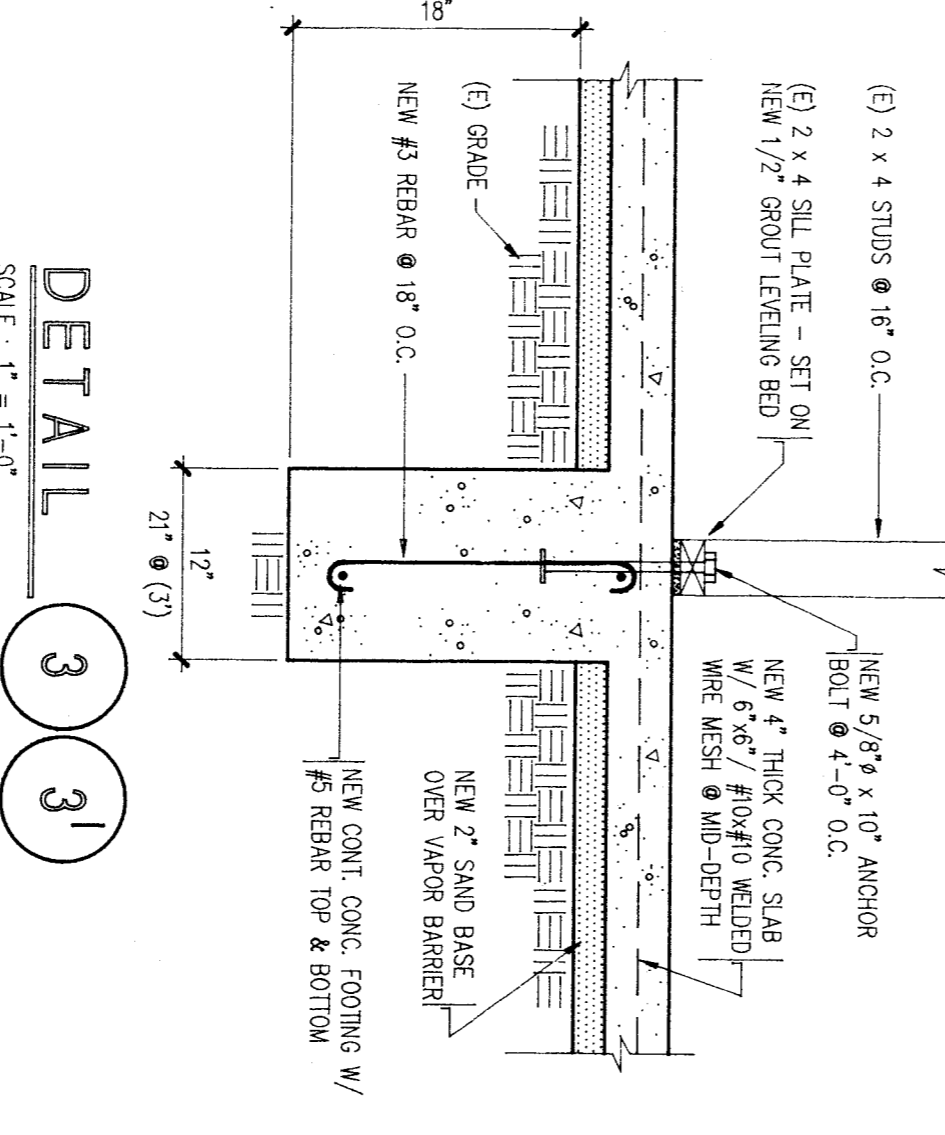


FOUNDATION PLAN

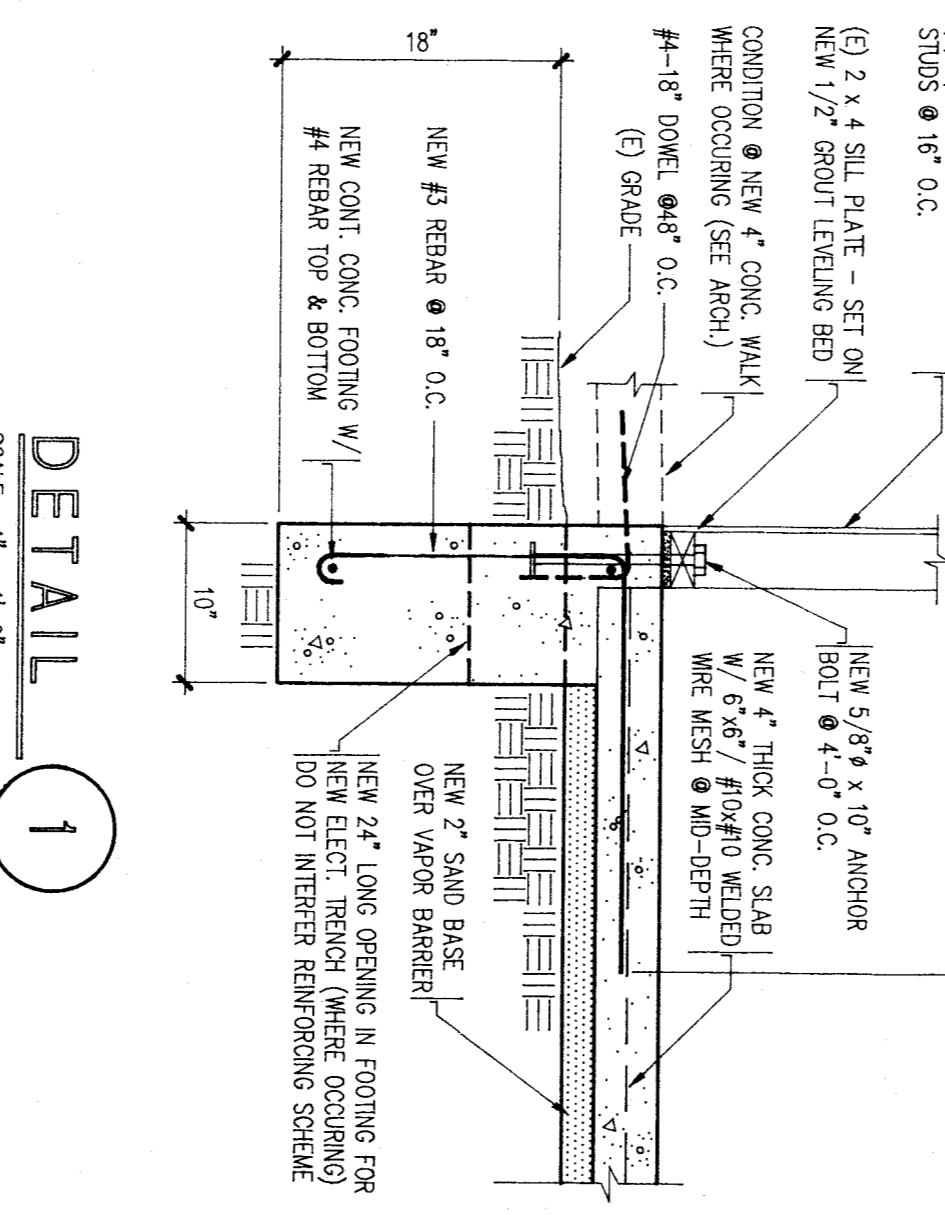
SCALE: 1/8" = 1'-0"



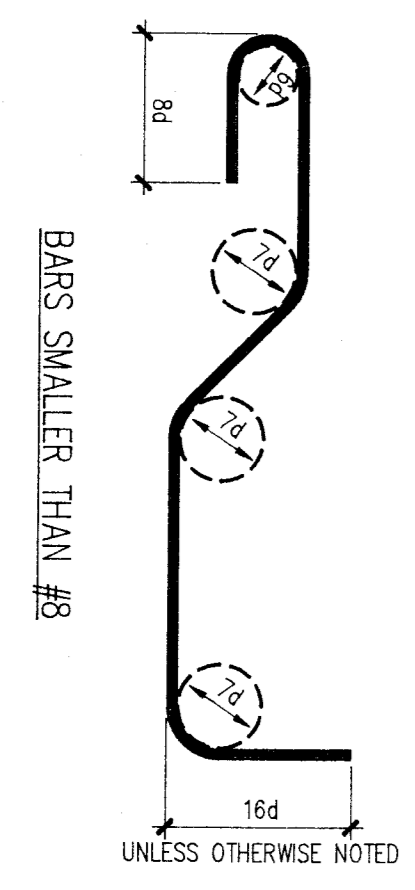
DETAIL 5
SCALE: 1" = 1'-0"



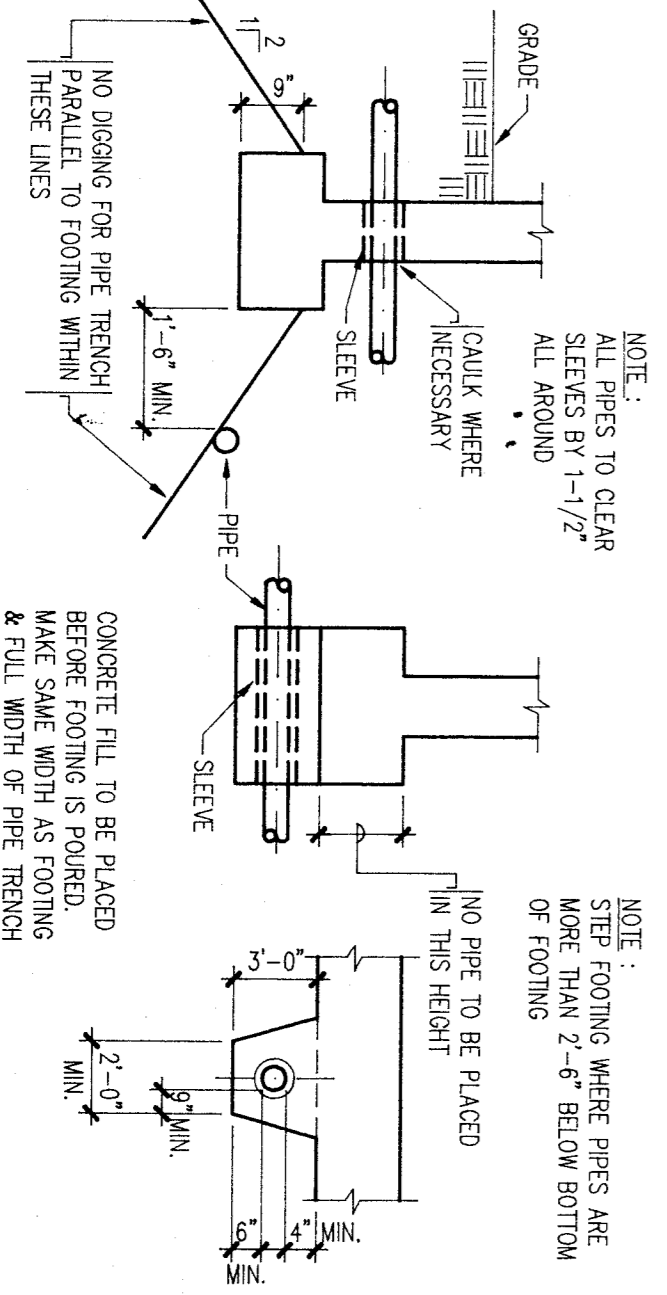
DETAIL 3
31
SCALE: 1" = 1'-0"



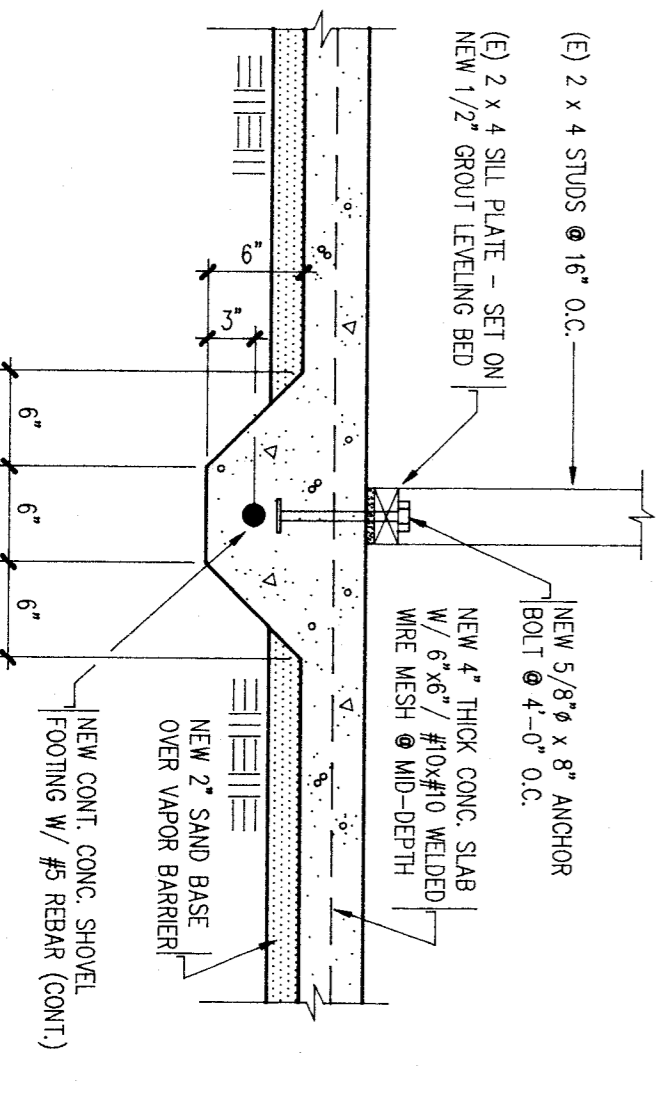
DETAIL 1
SCALE: 1" = 1'-0"



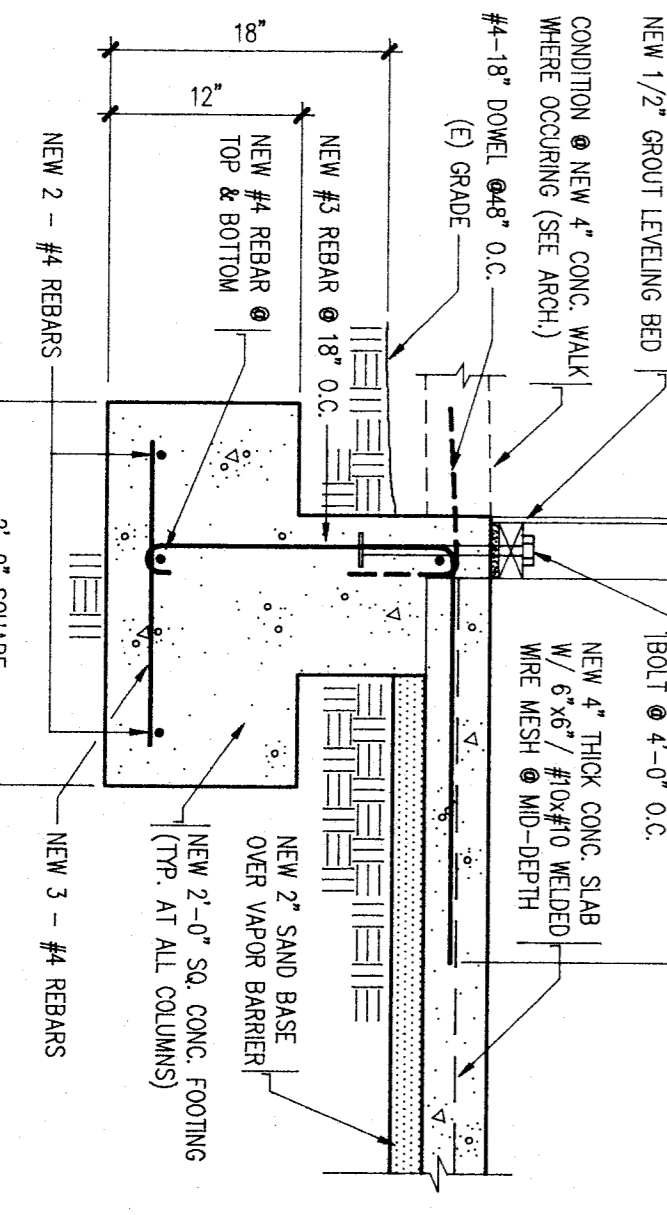
TYPICAL BAR BENDING DETAIL
NOT TO SCALE



DETAILS OF PIPES AT CONCRETE FOOTINGS
NOT TO SCALE



DETAIL 4
SCALE: 1" = 1'-0"

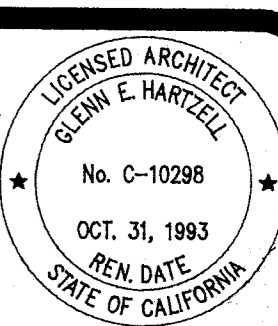


DETAIL 2
SCALE: 1" = 1'-0"

FOUNDATION PLAN ~ DETAILS ~ NOTES
(OFFICE BUILDING RELOCATION)
RAFER JOHNSON SCHOOL
 BAKERSFIELD CITY SCHOOL DISTRICT
 CORNER OF 9TH & 'N' STREET, BAKERSFIELD, KERN COUNTY, CALIFORNIA

BAKERSFIELD CITY SCHOOL DISTRICT
 BY RESOLUTION OF THE BOARD OF TRUSTEES APPROVED: APR 27 1992
 DRAWN: J A DATE

Glenn Hartzell-Architect, inc.
 26 'H' STREET, 93304 (805) 324-6416
 P.O. BOX 2344, 93303, BAKERSFIELD, CALIFORNIA
 ARCHITECT C-10298



JOB NO. 167
 SHEET NO. 1
S1
 SHEET 1 OF 1