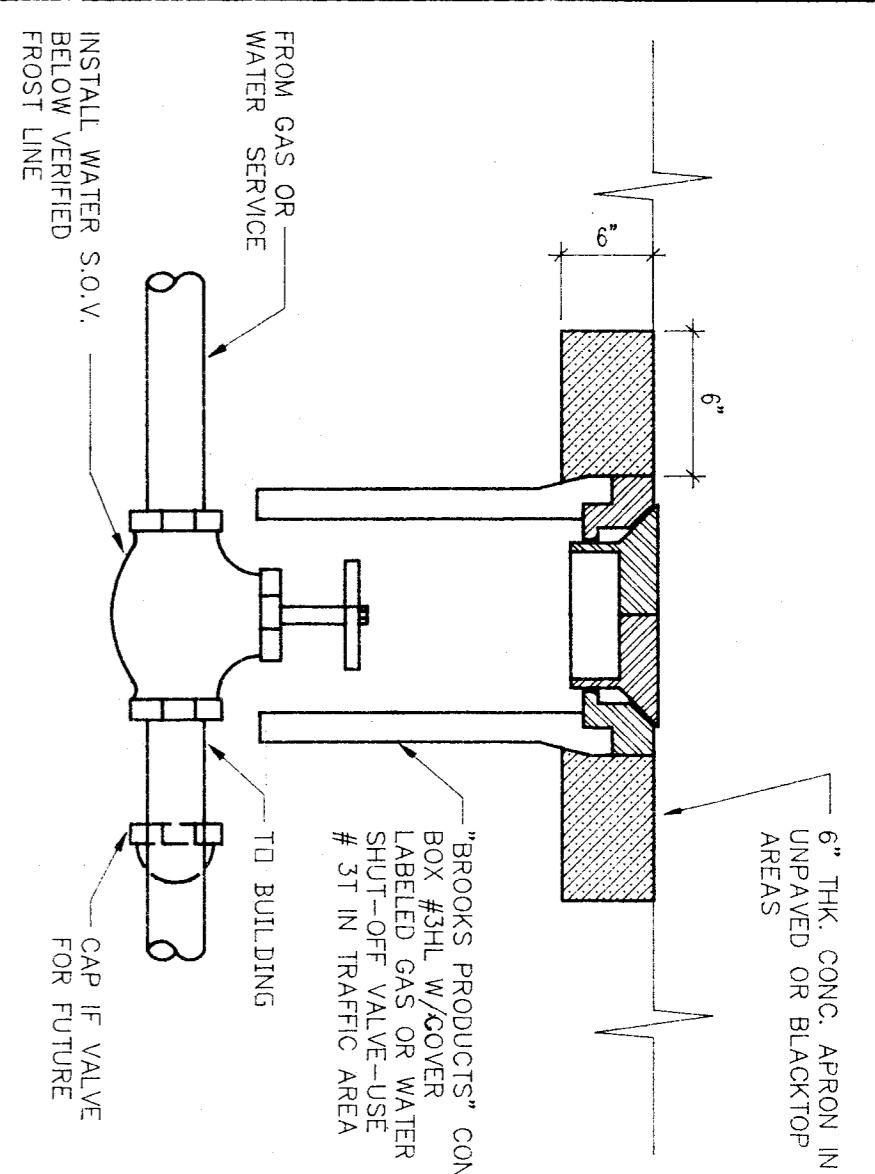


FIXTURE SCHEDULE

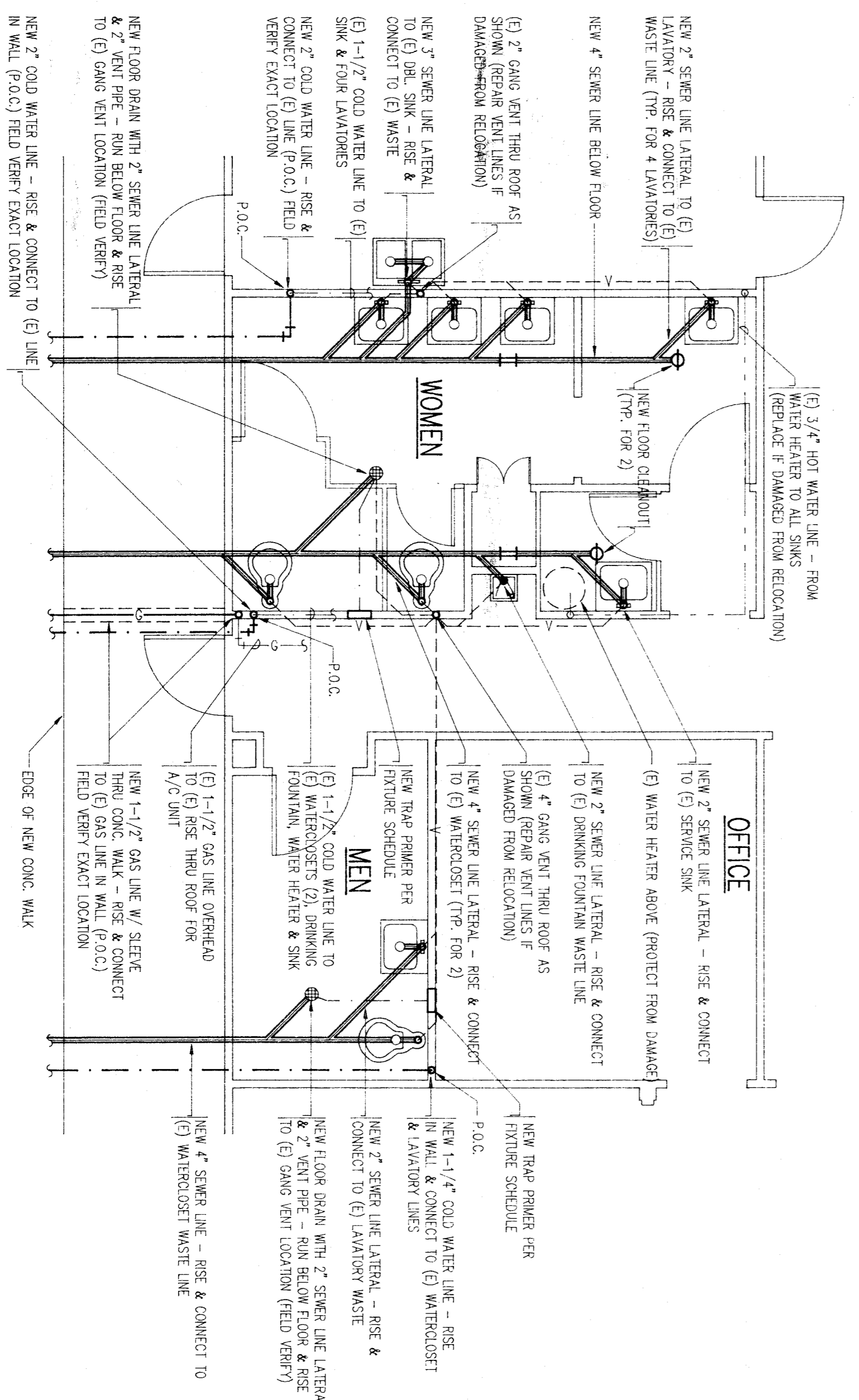
| | |
|-----|---|
| FD | ZURN MODEL 2N-415 6" X 6" TYPE 'Y' STRAINER - NIKEL BRONZE TRAP PRIMER CONNECTION - SET SQUARE TO BUILDING LINES, 2" SOL. 2" VENT |
| TP | PRECISION PLUMBING PRODUCTS, INC. MODEL "TRIM-RITE" WITH DISTRIBUTION UNIT. THE NUMBER OF DISTRIBUTION OUTLETS ARE TO CORRESPOND WITH THE NUMBER OF FLOOR DRAINS CONNECTED THERETO. MOUNT IN WALL BEHIND ACCESS PANELS. FINISH FLOOR + 6" TO BOTTOM OF PANEL LOCATION AS INDICATED ON DRAWINGS. 1/2" DIA. |
| FCO | SMITH NO. 4100 SERIES FLOOR CLEAN OUT - SET FLUSH WITH FINISH CONCRETE. NO HUB GASKET CONNECTION TO SEWER LINE. |



1 SHUT OFF VALVE IN YARD BOX N.T.S.

2 CLEAN OUT TO GRADE N.T.S.

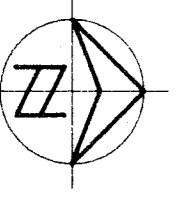
NOTE: PLUMBER SHALL BE RESPONSIBLE FOR REMOVAL, STORAGE AND REINSTALLATION OF ALL EXISTING PLUMBING FIXTURES



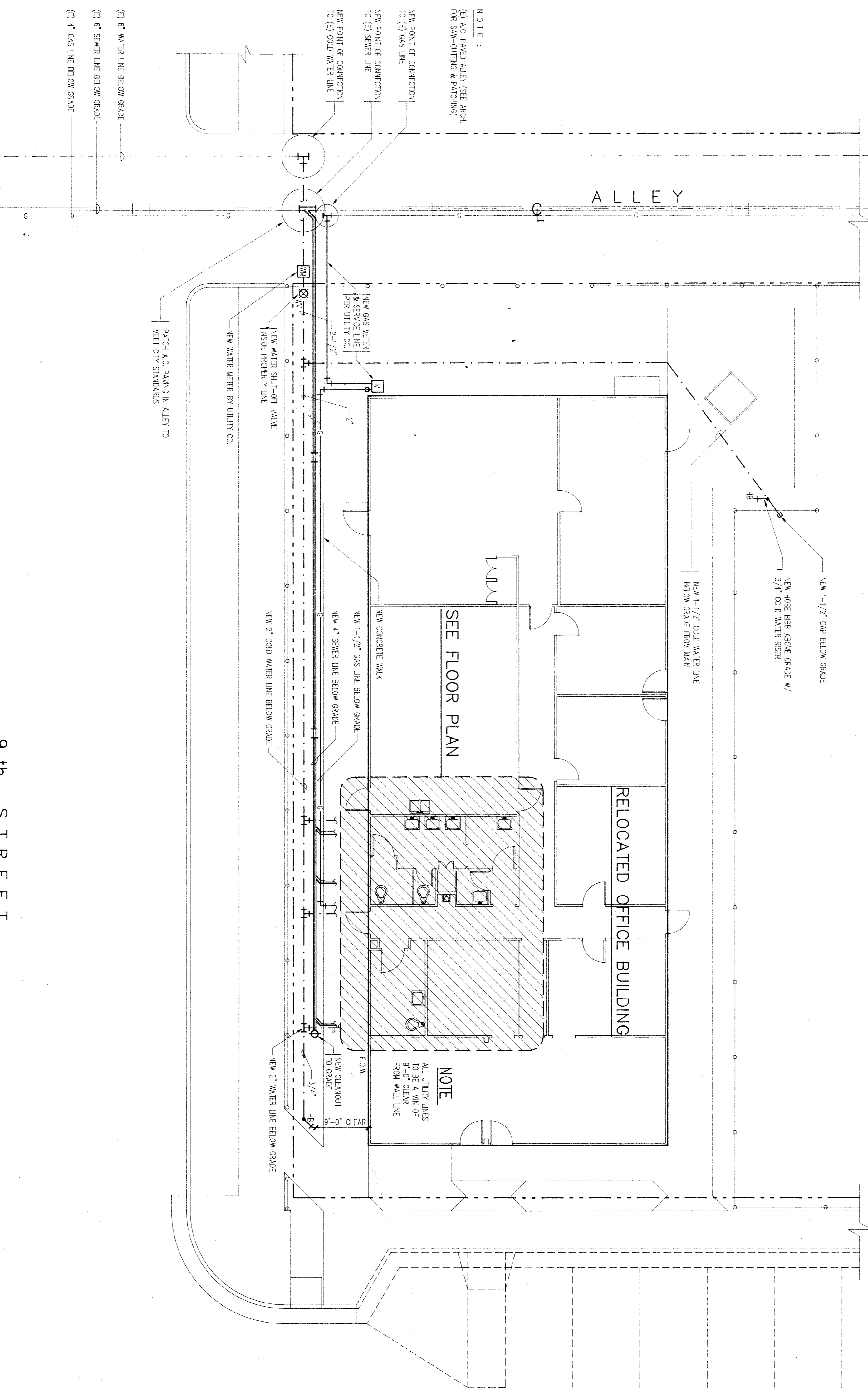
NOTE: SEE SITE PLAN FOR CONTINUATION OF ALL PLUMBING LINES BEYOND WALK

PLUMBING FLOOR PLAN

SCALE: 1/4" = 1'-0"



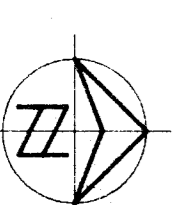
- GENERAL NOTES:
- GAS LINES TO BE SCHEDULE 40 BLACK STEEL PIPE W/ 40 LB. TYP. XTRU COAT ON UNDERGROUND PIPE. HOLDUP TEST IN PRESENCE OF INSPECTOR.
 - ALL SOIL, WASTE, VENT, DRAINAGE LINES TO BE CAST IRON W/ NO COUPLING.
 - WATER LINES OUTSIDE OF BUILDING TO BE SCHEDULE 80 PVC INSTAL. A 12 GADE COPPER WIRE MARKER LINE ON PVC PIPE.
 - DISNECTION OF DOMESTIC WATER SYSTEMS, DISINFECT ALL DOMESTIC WATER PIPING SYSTEMS SUBJECT TO BE ADEQUATE SOLUTION OF CHLORINE GAS OR OF SODIUM OR CALCIUM HYPOCHLORITE. TEST TO BE PERFORMED IN COOPERATION WITH REPRESENTATIVE OF THE LOCAL HEALTH DEPARTMENT HAVING JURISDICTION AND WITNESSED BY A REPRESENTATIVE OF AN APPROVED LABORATORY OR THE PROJECT DURING PERIOD OF TEST. SIGNS PROCEDURE: SYSTEMS TO BE THOROUGHLY FLUSHED WITH WATER AT SUFFICIENT PRESSURE AFTER FLUSHING, ALL OUTLETS SHALL BE OPENED TO ALLOW A SLOW FLOW OF WATER ON SERVICE CLOCK NEW MAIN CONNECTION, PUMPERS TO CONTINUOUS RATE INTO WATER OUTLINE SOLUTION SHALL BE SLOWLY PUMPED AT CONTINUOUS RATE INTO SHUT OFF ALL OUTLETS AND MAIN SERVICE. MAINTAINING CHLORINE IN SYSTEM FOR 24 HOUR PERIOD.
 - AT END OF PERIOD, TEST EACH OUTLET FOR CHLORINE RESIDUE OF 50 PPM. IF SYSTEM EXCEEDS THIS TEST, REPEAT DISINFECTION. ALLOW 90 MIN. THOROUGHLY FLUSH SYSTEM WITH WATER TO REMOVE CHLORINE. DISINFECTION AT EACH ORGANIC GERMINATE OF BACTERIOLOGICAL PURITY FROM HEALTH DEPARTMENT AND THE TESTING LABORATORY AND DELIVER TO OWNER THROUGH ARCHITECT.
 - TEST ALL SOIL, WASTE, VENT, DRAINAGE, WATER & GAS LINES. SYSTEM SHALL SHOW NO LOSS IN PRESSURE AFTER A MINIMUM DURATION OF FOUR (4) HOURS OF PRESSURE HOLDUP TEST. SEWER VENT LINES SET W/ WATER TO TOP OF HIGHEST VENT.
 - WATER PIPING TO BE TEST WITH WATER.
 - GAS PIPING TO BE TEST WITH GAS, SOAP & WATER.
 - ALL WATER LINES OUTSIDE TO BE BURIED BELOW VENTED FROST LINE.
 - CLEANOUTS TO BE SMITH 4100 FINISHED FLOORS WITH NON SPND BRONZE TOP. WALL ON NON SURFACE AREA PROHIBED 16" X 16" CAST CONCRETE RING AT TOP OF BOX & FLUSH WITH GRADE.
 - ALL SOIL & WASTE LINES TO SLOPE 2% MIN. VERIFY INVERTS BEFORE STARTING WORK.



NOTE: SEE SITE PLAN FOR CONTINUATION OF ALL PLUMBING LINES BEYOND WALK

PLUMBING SITE PLAN

SCALE: 1/8" = 1'-0"



SHEET NO. 167
JOB NO. 109
DATE 4-22-92
DRAWN J A

PLUMBING SITE PLAN ~ PLUMBING FLOOR PLAN
(OFFICE BUILDING RELOCATION)
RAFER JOHNSON SCHOOL
BAKERSFIELD CITY SCHOOL DISTRICT
CORNER OF 9th & 'N' STREET, BAKERSFIELD, KERN COUNTY, CALIFORNIA

BAKERSFIELD CITY SCHOOL DISTRICT
BY RESOLUTION OF THE BOARD OF TRUSTEES APPROVED:
APR 27 1992
DATE

Glenn Hartzell-Architect, Inc.
26 'H' STREET, 93304 (805) 324-6416
P.O. BOX 2344, 93303, BAKERSFIELD, CALIFORNIA
ARCHITECT C-10298

LICENSED ARCHITECT
GLENN E. HARTZELL
No. C-10298
OCT. 31, 1993
REAL DATE
STATE OF CALIFORNIA