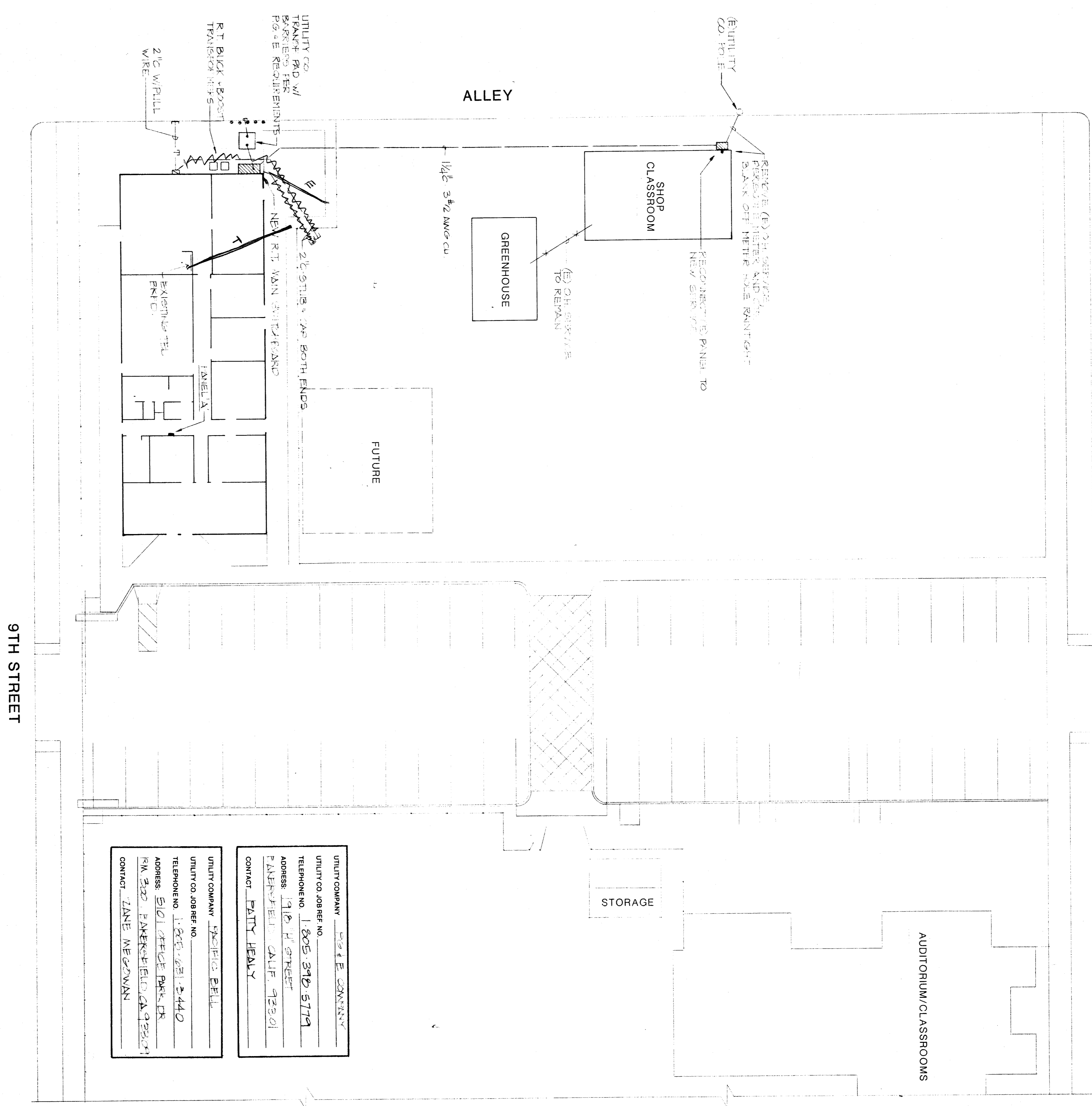
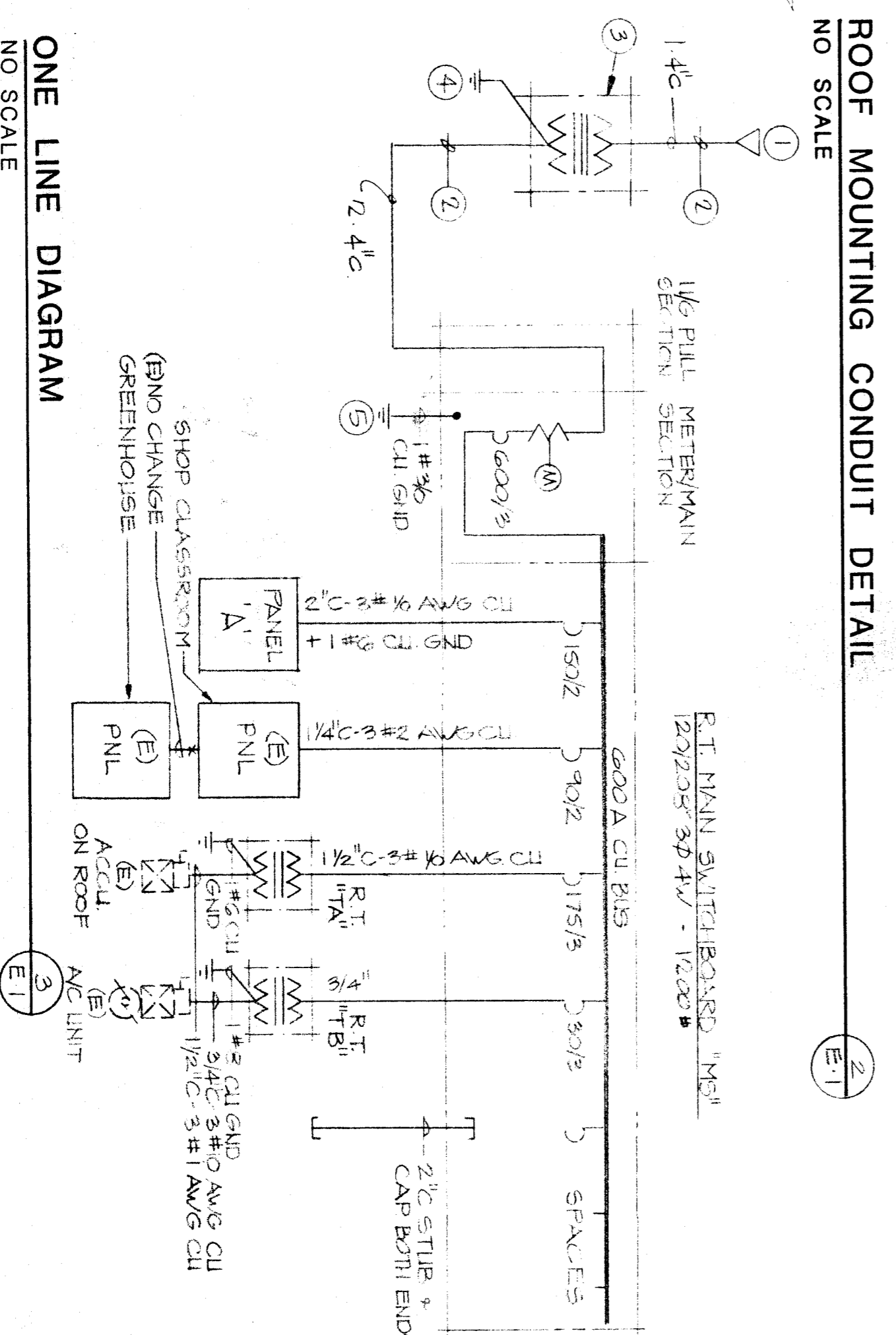
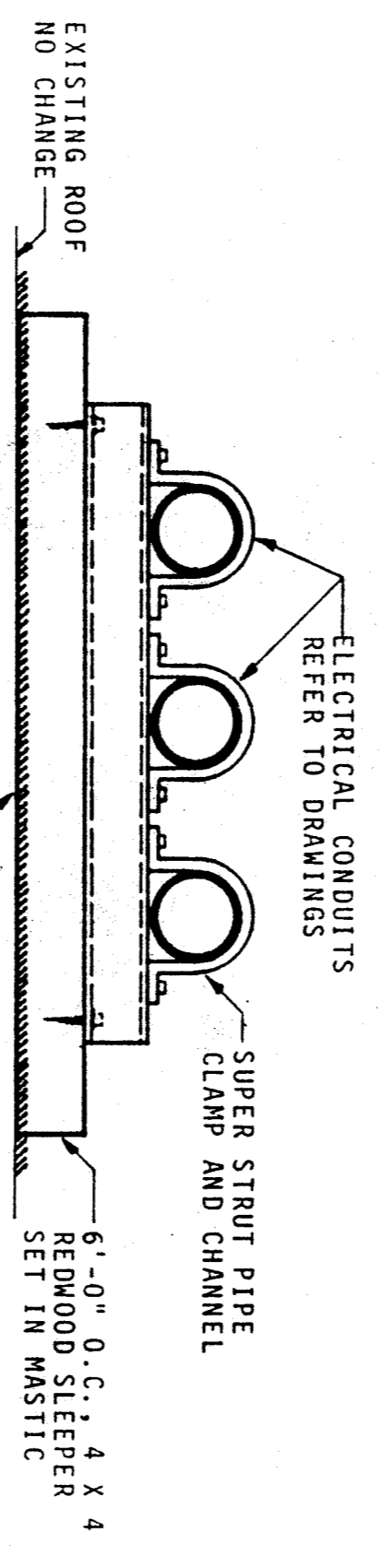
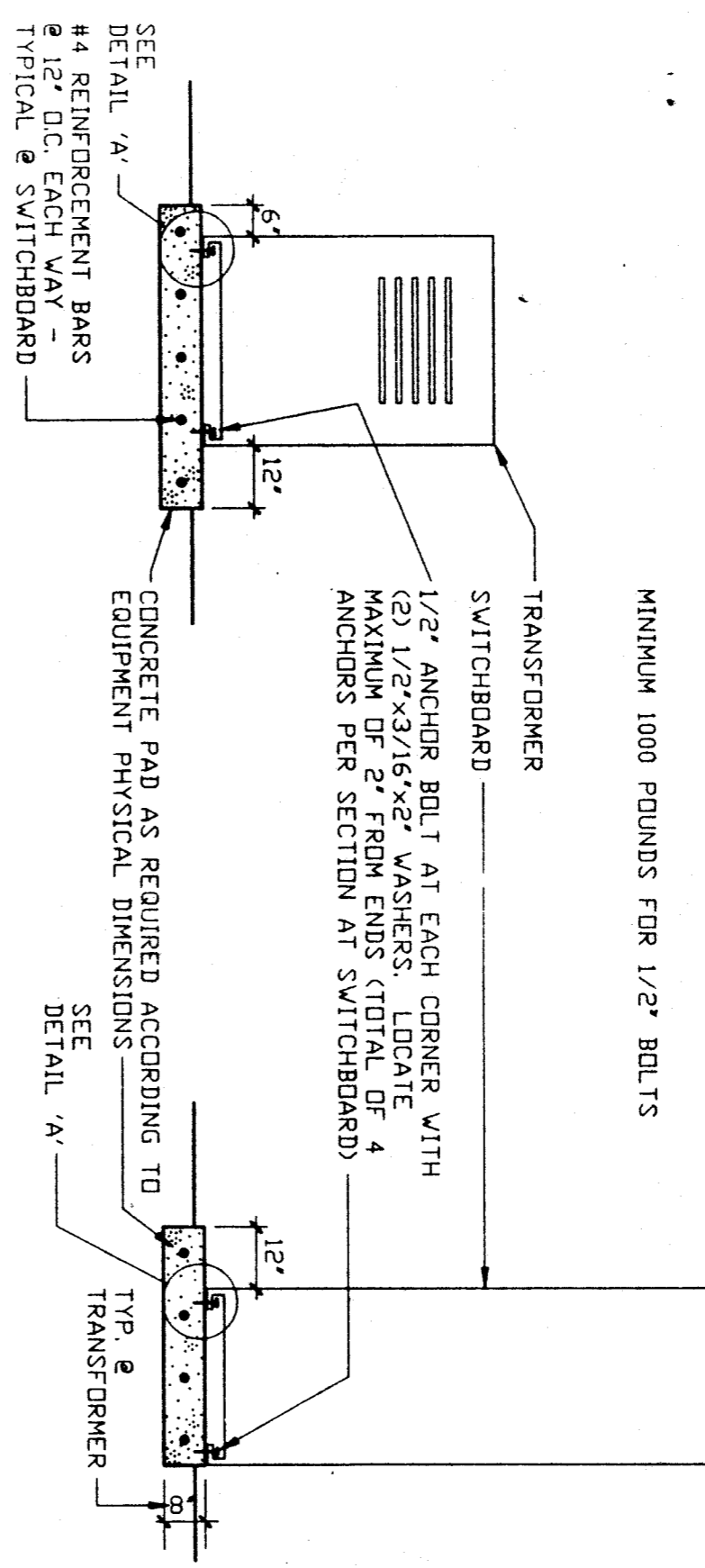
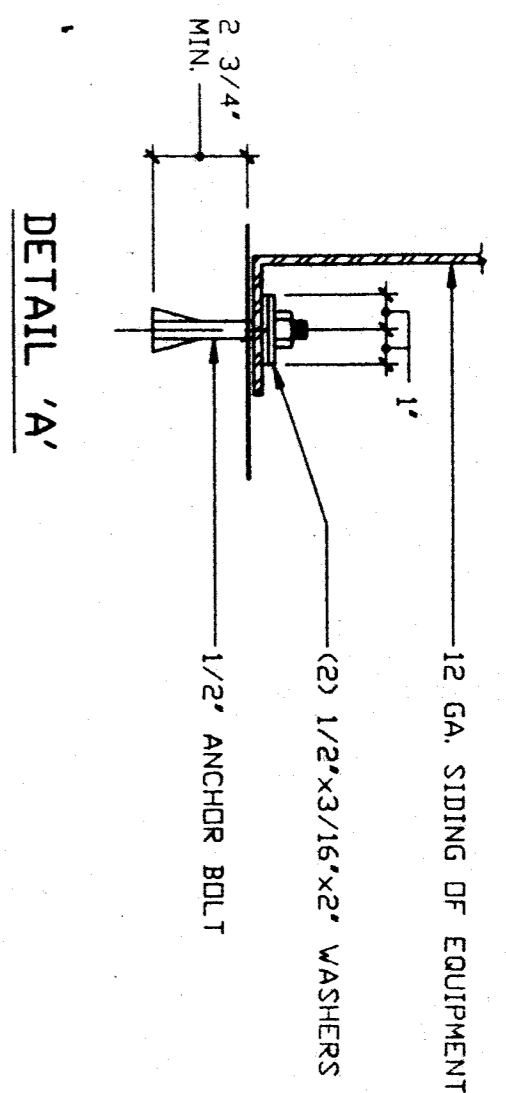


10TH STREET



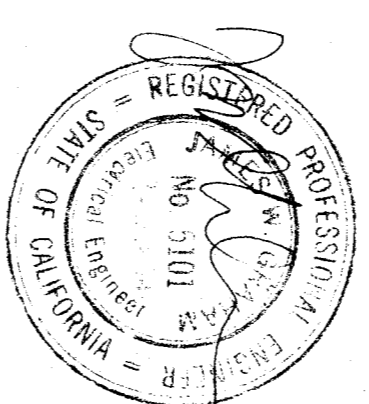
UTILITY COMPANY: **PG&E COMPANY**
 UTILITY CO. JOB REF. NO.: **1-805-378-5774**
 TELEPHONE NO.: **1-805-378-5774**
 ADDRESS: **1410 H STREET**
 BAKERSFIELD, CALIF. 93301
 CONTACT: **PATTY HEALY**

UTILITY COMPANY: **SPECTRA ENERGY**
 UTILITY CO. JOB REF. NO.: **1-805-378-5774**
 TELEPHONE NO.: **1-805-378-5774**
 ADDRESS: **1410 H STREET**
 BAKERSFIELD, CALIF. 93301
 CONTACT: **LANE MCGOWAN**



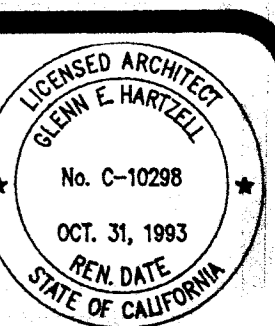
- LINE DIAGRAM NOTES:
1. UNDERGROUND SERVICE PER P & E RULES, ELEC. CONTRACTOR TO DERAY ALL CHANGES.
 2. VERIFY CONDUIT SIZE WITH P & E PRIOR TO BID.
 3. ELECTRICAL CONTRACTOR SHALL CONSTRUCT A CONCRETE PAD FOR P & E COMPANY'S SERVICE TRANSFORMER PER P & E RULES AND REQUIREMENTS.
 4. GROUND PER P & E RULES.
 5. COLD WATER PIPE GROUND PLUS UFER GROUND PER N.E.C. 250.

SYMBOL	NAME	DESCRIPTION
(E)	EXISTING	
(N)	NEW	
U.O.N.	UNLESS OTHERWISE NOTED	
⊕	DUPLEX CONVENIENCE OUTLET	20A NEMA GROUNDING AS REQUIRED
⊕	TELEPHONE OUTLET	20A NEMA GROUNDING
⊕	FOUR PLEX OUTLET	20A NEMA GROUNDING
⊕	POWER/TELEPHONE RACEWAY	WIREBOND #6000 SERIES WITH 600/468 WITH ALL APPURTENANCES, 1801150
⊕	TROUGH	SEE PLANS
⊕	WIRING IN FLOOR OR WALL	3/4" C. MINIMUM U.O.N.
⊕	WIRING IN CEILING	3/4" C. MINIMUM U.O.N.
⊕	WIRING IN RACEWAY	SEE PLANS
⊕	MAIN SWITCHBOARD	SEE PLANS
⊕	JUNCTION BOX AS REQUIRED	SEE PLANS
⊕	(E) MOTOR, STARTER & DISC. STARTER	SEE DETAIL (1) & (2)
⊕	(E) EXHAUST FAN & MANUAL STARTER	45 BOX & FLUSH PLATE MINIMUM
⊕	TEL. HOME-RUN TO TEL. BKBD.	1-1/2" C. MINIMUM



INTERSTATE ENGINEERING, INC.
 2727 N. GROVE INDUSTRIAL DR., BLDG. 155, STE. B
 FRESNO, CA 93727. (209)453-9491
 JAMES W. GRAHAM E.E. 5101

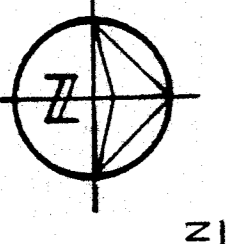
Glenn Hartzell-Architect, Inc.
 26 'H' STREET, 93304 (805) 324-6416
 P.O. BOX 2344, 93303, BAKERSFIELD, CALIFORNIA
 ARCHITECT C-10298



BAKERSFIELD CITY SCHOOL DISTRICT
 BY RESOLUTION OF THE BOARD OF TRUSTEES
 APPROVED: _____ DATE: APR 27 1992

SITE PLAN
 (OFFICE BUILDING RELOCATION)
 RAFER JOHNSON SCHOOL
 BAKERSFIELD CITY SCHOOL DISTRICT
 CORNER OF 9th & 'N' STREET, BAKERSFIELD, KERN COUNTY, CALIFORNIA

ELECTRICAL SITE PLAN
 1/16"=1'-0"



JOB NO. 167
 SHEET NO. E-1
 SHEET 1 OF 2