

ROOM

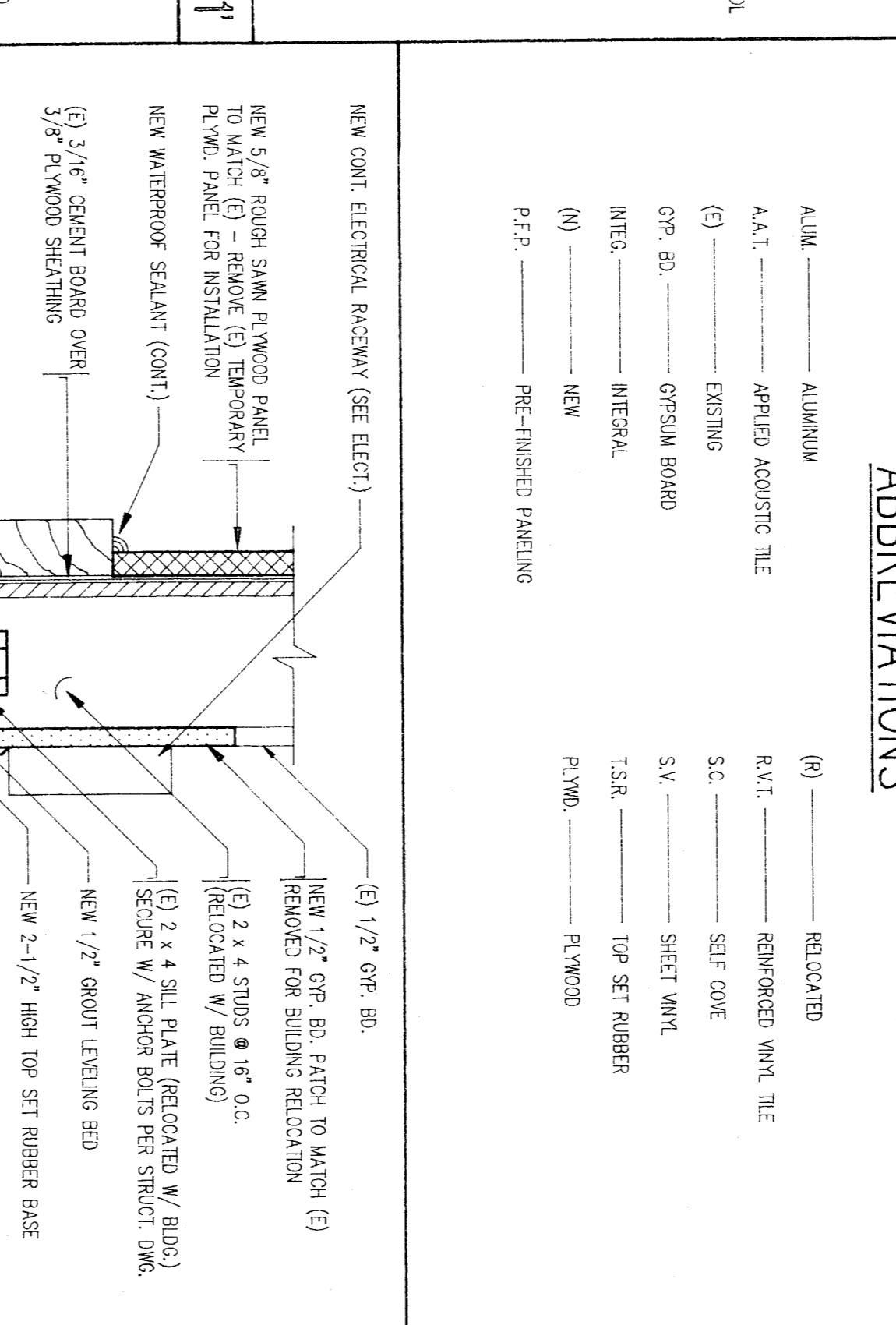
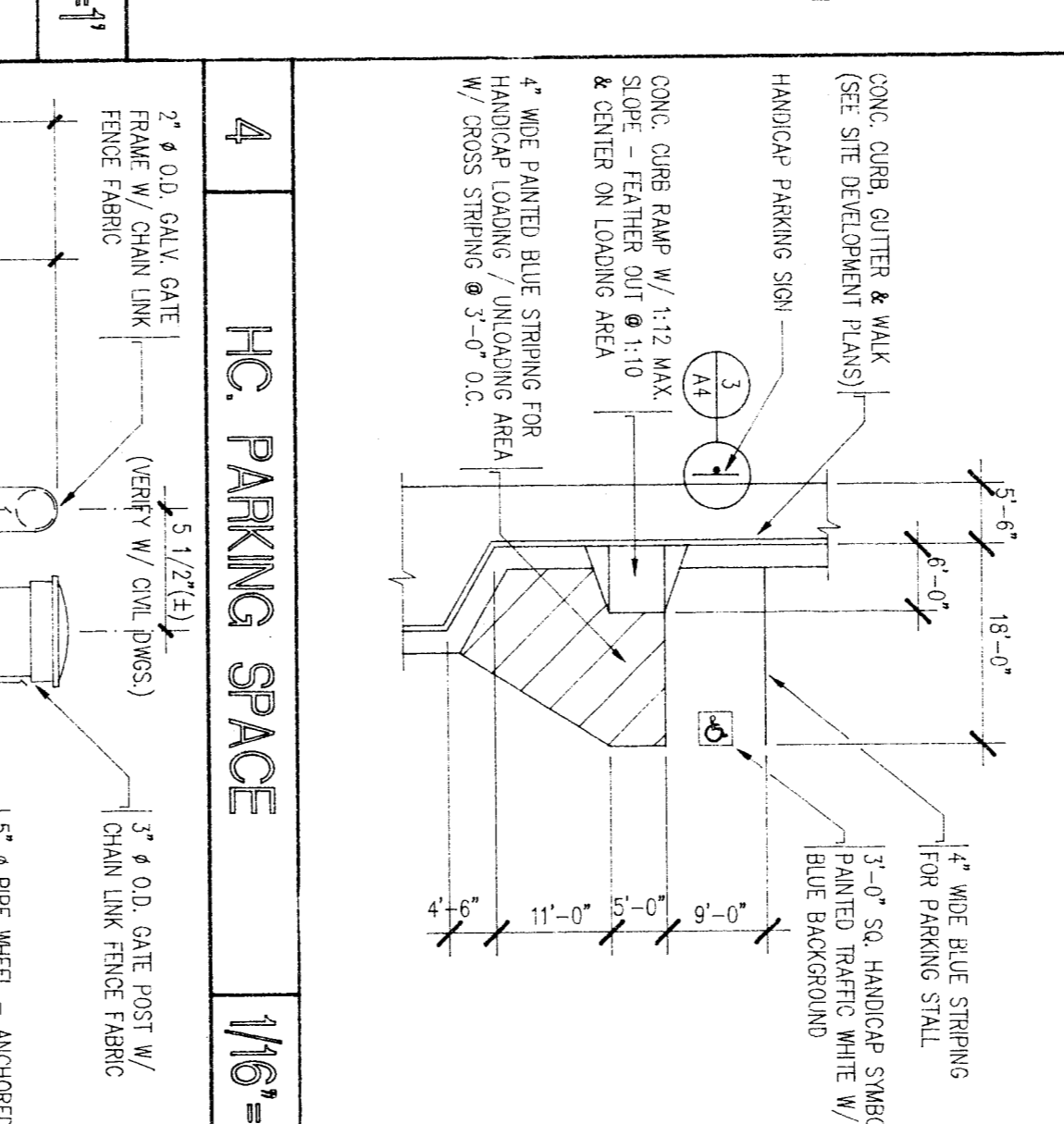
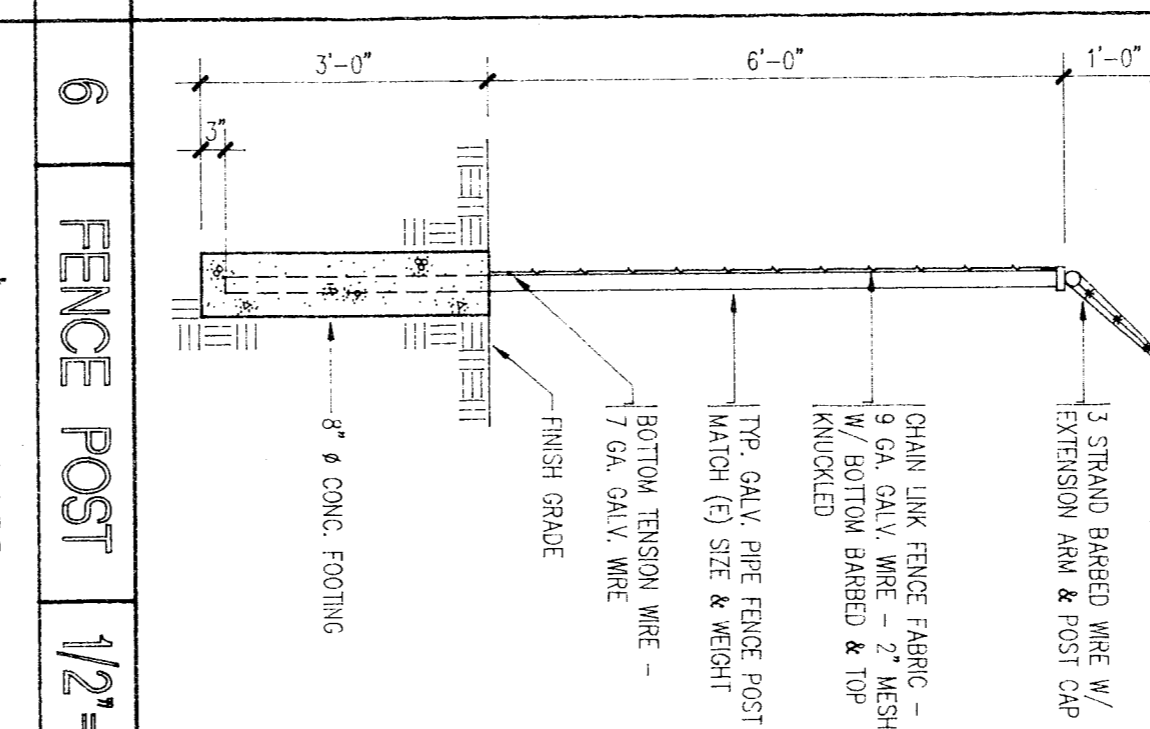
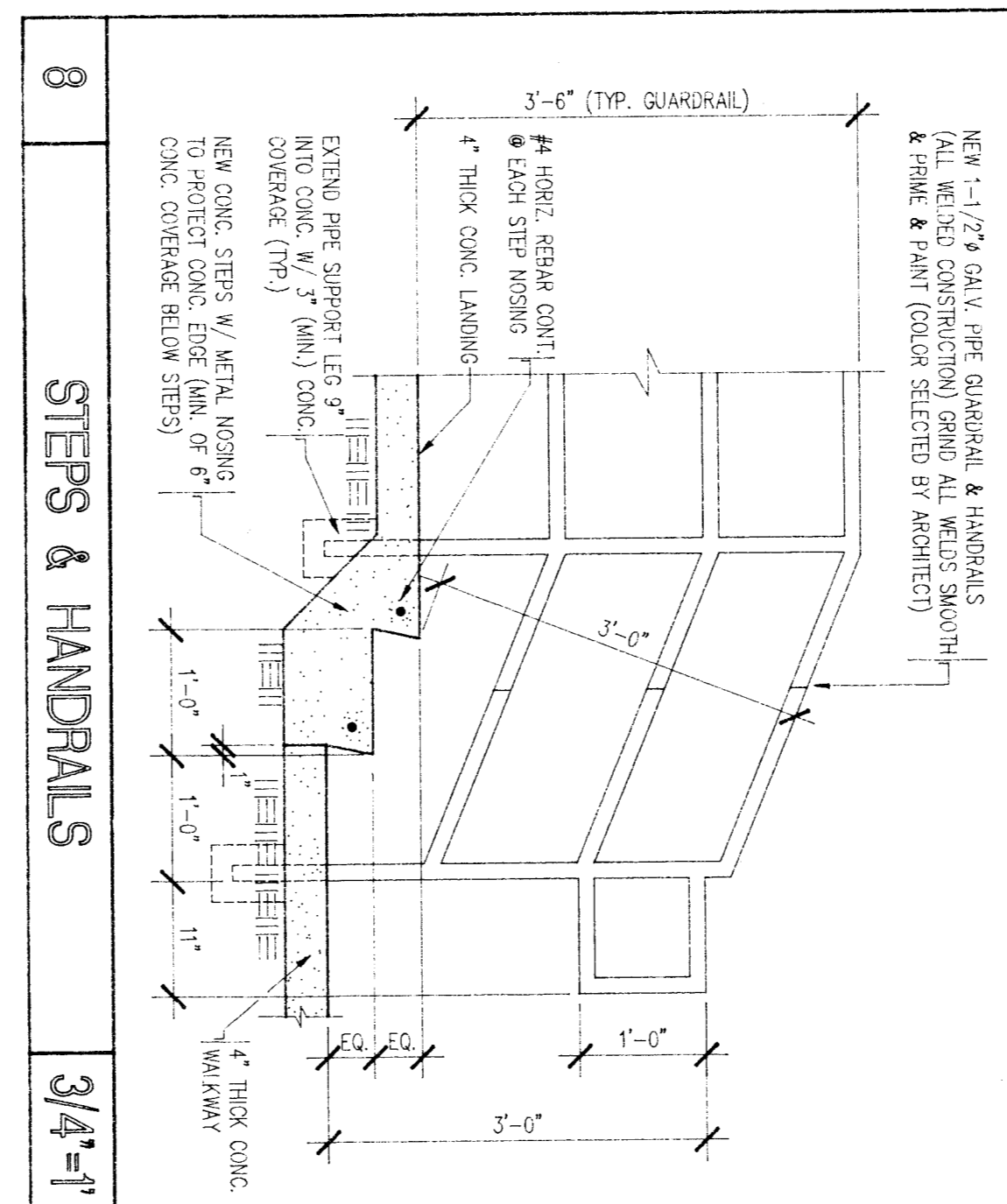
FINISH

SCHEDULE

ROOM NOS.	ROOM NAME	FLOOR	BASE FINISH	NORTH WALL	EAST WALL	SOUTH WALL	WEST WALL	CASEWORK	DOORS	DOOR FRAMES	WINDOW FRAMES	CEILING	ROOM NOS.	REMARKS
1	ADMINISTRATION	INTG.	(N) T.S.R. INTG.	(N) PATCH (N) PAINT (E) SPR. BO.	(N) PATCH (N) PAINT (E) SPR. BO.	(N) PATCH (N) PAINT (E) SPR. BO.	(N) PATCH (N) PAINT (E) SPR. BO.	(N) PATCH (N) PAINT (E) SPR. BO.	(E) WOOD (E) PAINT	(E) METAL (E) PAINT	(E) ALUM. INTG.	10'-0"	1	NEW - PATCH & PAINT (E) WALLS TO MATCH (E) FINISHES AFTER THE REMOVAL OF (E) WALLS & EQUIPMENT (SEE RENOVATION PLAN)
2	OFFICE	INTG.	(N) T.S.R. INTG.	(N) PATCH (N) PAINT (E) SPR. BO.	(N) PATCH (N) PAINT (E) SPR. BO.	(N) PATCH (N) PAINT (E) SPR. BO.	(N) PATCH (N) PAINT (E) SPR. BO.	(N) PATCH (N) PAINT (E) SPR. BO.	(E) WOOD (E) PAINT	(E) METAL (E) PAINT	(E) ALUM. INTG.	10'-0"	2	NEW - PATCH & PAINT (E) WALLS TO MATCH (E) FINISHES AFTER THE REMOVAL OF (E) WALLS & EQUIPMENT (SEE RENOVATION PLAN)
3	OFFICE	INTG.	(N) T.S.R. INTG.	(N) PATCH (N) PAINT (E) SPR. BO.	(N) PATCH (N) PAINT (E) SPR. BO.	(N) PATCH (N) PAINT (E) SPR. BO.	(N) PATCH (N) PAINT (E) SPR. BO.	(N) PATCH (N) PAINT (E) SPR. BO.	(E) WOOD (E) PAINT	(E) METAL (E) PAINT	(E) ALUM. INTG.	10'-0"	3	NEW - PATCH & PAINT (E) WALLS TO MATCH (E) FINISHES AFTER THE REMOVAL OF (E) WALLS & EQUIPMENT (SEE RENOVATION PLAN)
4	MEN	INTG.	(N) S.V. INTG.	(N) PATCH (N) PAINT (E) SPR. BO.	(N) PATCH (N) PAINT (E) SPR. BO.	(N) PATCH (N) PAINT (E) SPR. BO.	(N) PATCH (N) PAINT (E) SPR. BO.	(N) PATCH (N) PAINT (E) SPR. BO.	(E) WOOD (E) PAINT	(E) METAL (E) PAINT	(E) ALUM. INTG.	8'-0"	4	NEW - PATCH & PAINT EAST WALL TO MATCH (E) FINISHES AFTER THE REMOVAL OF (E) WALLS, CLOSET, MIRROR & BENCH (SEE RENOVATION PLAN)
5	WOMEN	INTG.	(N) S.V. INTG.	(N) PATCH (N) PAINT (E) SPR. BO.	(N) PATCH (N) PAINT (E) SPR. BO.	(N) PATCH (N) PAINT (E) SPR. BO.	(N) PATCH (N) PAINT (E) SPR. BO.	(N) PATCH (N) PAINT (E) SPR. BO.	(E) WOOD (E) PAINT	(E) METAL (E) PAINT	(E) ALUM. INTG.	8'-0"	5	NEW - PATCH & PAINT EAST WALL TO MATCH (E) FINISHES AFTER THE REMOVAL OF (E) WALLS, CLOSET, MIRROR & BENCH (SEE RENOVATION PLAN)
6	OFFICE	INTG.	(N) T.S.R. INTG.	(N) PATCH (N) PAINT (E) SPR. BO.	(N) PATCH (N) PAINT (E) SPR. BO.	(N) PATCH (N) PAINT (E) SPR. BO.	(N) PATCH (N) PAINT (E) SPR. BO.	(N) PATCH (N) PAINT (E) SPR. BO.	(E) WOOD (E) PAINT	(E) METAL (E) PAINT	(E) ALUM. INTG.	10'-0"	6	NEW - PATCH & PAINT EAST WALL TO MATCH (E) FINISHES AFTER THE REMOVAL OF (E) WALLS, CLOSET, MIRROR & BENCH (SEE RENOVATION PLAN)
7	OFFICE	INTG.	(N) T.S.R. INTG.	(N) PATCH (N) PAINT (E) SPR. BO.	(N) PATCH (N) PAINT (E) SPR. BO.	(N) PATCH (N) PAINT (E) SPR. BO.	(N) PATCH (N) PAINT (E) SPR. BO.	(N) PATCH (N) PAINT (E) SPR. BO.	(E) WOOD (E) PAINT	(E) METAL (E) PAINT	(E) ALUM. INTG.	10'-0"	7	NEW - PATCH & PAINT EAST WALL TO MATCH (E) FINISHES AFTER THE REMOVAL OF (E) WALLS, CLOSET, MIRROR & BENCH (SEE RENOVATION PLAN)
8	OFFICE	INTG.	(N) T.S.R. INTG.	(N) PATCH (N) PAINT (E) SPR. BO.	(N) PATCH (N) PAINT (E) SPR. BO.	(N) PATCH (N) PAINT (E) SPR. BO.	(N) PATCH (N) PAINT (E) SPR. BO.	(N) PATCH (N) PAINT (E) SPR. BO.	(E) WOOD (E) PAINT	(E) METAL (E) PAINT	(E) ALUM. INTG.	10'-0"	8	NEW - PATCH & PAINT EAST WALL TO MATCH (E) FINISHES AFTER THE REMOVAL OF (E) WALLS, CLOSET, MIRROR & BENCH (SEE RENOVATION PLAN)
9	CORRIDOR	INTG.	(N) T.S.R. INTG.	(N) PATCH (N) PAINT (E) SPR. BO.	(N) PATCH (N) PAINT (E) SPR. BO.	(N) PATCH (N) PAINT (E) SPR. BO.	(N) PATCH (N) PAINT (E) SPR. BO.	(N) PATCH (N) PAINT (E) SPR. BO.	(E) WOOD (E) PAINT	(E) METAL (E) PAINT	(E) ALUM. INTG.	8'-0"	9	ALL NEW WORK IS RELATED TO TWO CORRIDORS (NORTH TO SOUTH & EAST TO WEST)
10	LOUNGE	INTG.	(N) T.S.R. INTG.	(N) PATCH (N) PAINT (E) SPR. BO.	(N) PATCH (N) PAINT (E) SPR. BO.	(N) PATCH (N) PAINT (E) SPR. BO.	(N) PATCH (N) PAINT (E) SPR. BO.	(N) PATCH (N) PAINT (E) SPR. BO.	(E) WOOD (E) PAINT	(E) METAL (E) PAINT	(E) ALUM. INTG.	10'-0"	10	NEW - PATCH & PAINT EAST WALL TO MATCH (E) FINISHES AFTER THE REMOVAL OF (E) WALLS, WAREHOUSE & BENCH (SEE RENOVATION PLAN)
11	KITCHEN	INTG.	(N) T.S.R. INTG.	(N) PATCH (N) PAINT (E) SPR. BO.	(N) PATCH (N) PAINT (E) SPR. BO.	(N) PATCH (N) PAINT (E) SPR. BO.	(N) PATCH (N) PAINT (E) SPR. BO.	(N) PATCH (N) PAINT (E) SPR. BO.	(E) WOOD (E) PAINT	(E) METAL (E) PAINT	(E) ALUM. INTG.	10'-0"	11	NEW - PATCH & PAINT (E) WALLS TO MATCH (E) FINISHES AFTER THE REMOVAL OF (E) WALLS, WAREHOUSE & BENCH (SEE RENOVATION PLAN)
12	MULTI-USE	INTG.	(N) T.S.R. INTG.	(N) PATCH (N) PAINT (E) SPR. BO.	(N) PATCH (N) PAINT (E) SPR. BO.	(N) PATCH (N) PAINT (E) SPR. BO.	(N) PATCH (N) PAINT (E) SPR. BO.	(N) PATCH (N) PAINT (E) SPR. BO.	(E) WOOD (E) PAINT	(E) METAL (E) PAINT	(E) ALUM. INTG.	10'-0"	12	NEW - PATCH & PAINT (E) WALLS TO MATCH (E) FINISHES AFTER THE REMOVAL OF (E) WALLS, CLOSET, MIRROR & BENCH (SEE RENOVATION PLAN)
13	JANITOR	INTG.	(N) S.V. INTG.	(N) PATCH (N) PAINT (E) SPR. BO.	(N) PATCH (N) PAINT (E) SPR. BO.	(N) PATCH (N) PAINT (E) SPR. BO.	(N) PATCH (N) PAINT (E) SPR. BO.	(N) PATCH (N) PAINT (E) SPR. BO.	(E) WOOD (E) PAINT	(E) METAL (E) PAINT	(E) ALUM. INTG.	8'-0"	13	NEW - PATCH & PAINT (E) WALLS TO MATCH (E) FINISHES AFTER THE REMOVAL OF (E) WALLS, CLOSET, MIRROR & BENCH (SEE RENOVATION PLAN)
	EXTERIOR			(N) PATCH (N) PAINT (E) SPR. BO.	(N) PATCH (N) PAINT (E) SPR. BO.	(N) PATCH (N) PAINT (E) SPR. BO.	(N) PATCH (N) PAINT (E) SPR. BO.	(N) PATCH (N) PAINT (E) SPR. BO.	(E) WOOD (E) PAINT	(E) METAL (E) PAINT	(E) ALUM. INTG.			NEW - PAINT EXTERIOR OF BUILDING INCLUDING NEW & EXISTING PLYWOOD WALLS, TRIM BOARDS, FASCIA BOARDS, DOORS & FRAMES

ABBREVIATIONS

- ALUM. ALUMINUM
- A.A.T. APPLIED ACOUSTIC TILE
- (E) EXISTING
- OP. BO. OPERATIONAL BOARD
- INTG. INTERLOCK
- (N) NEW
- P.F.P. PRE-FINISHED PANELING
- (R) RELOCATED
- R.V.T. REINFORCED VINYL TILE
- S.C. SELF ONE
- S.V. SHEET VINYL
- T.S.R. TOP SET RUBBER
- (N) NEW
- P.W.O. PLYWOOD



ROOM NOS.	ROOM NAME	FLOOR	BASE FINISH	NORTH WALL	EAST WALL	SOUTH WALL	WEST WALL	CASEWORK	DOORS	DOOR FRAMES	WINDOW FRAMES	CEILING	ROOM NOS.	REMARKS
7	PIPE BARRIER	3/4"-1"											7	NEW - 3/4" GALV. PIPE BARRIER & HANDRAILS (SEE SITE DEVELOPMENT PLAN)
6	FENCE POST	1/2"-1"											6	NEW - 1/2" GALV. PIPE FENCE POST (SEE SITE DEVELOPMENT PLAN)
5	SLIDING GATE W/ TRACK	1 1/2"-1"											5	NEW - 1 1/2" GALV. PIPE SLIDING GATE & TRACK (SEE SITE DEVELOPMENT PLAN)
4	HC PARKING SPACE	1/16"-1"											4	NEW - 1/16" GALV. PIPE HC PARKING SPACE (SEE SITE DEVELOPMENT PLAN)
3	PARKING SIGN	1 1/2"-1"											3	NEW - 1 1/2" GALV. PIPE PARKING SIGN (SEE SITE DEVELOPMENT PLAN)
2	HC ENTRANCE SIGN	3/4"-1"											2	NEW - 3/4" GALV. PIPE HC ENTRANCE SIGN (SEE SITE DEVELOPMENT PLAN)
1	EXTERIOR WALL BASE	3"-1"											1	NEW - 3" GALV. PIPE EXTERIOR WALL BASE (SEE SITE DEVELOPMENT PLAN)

