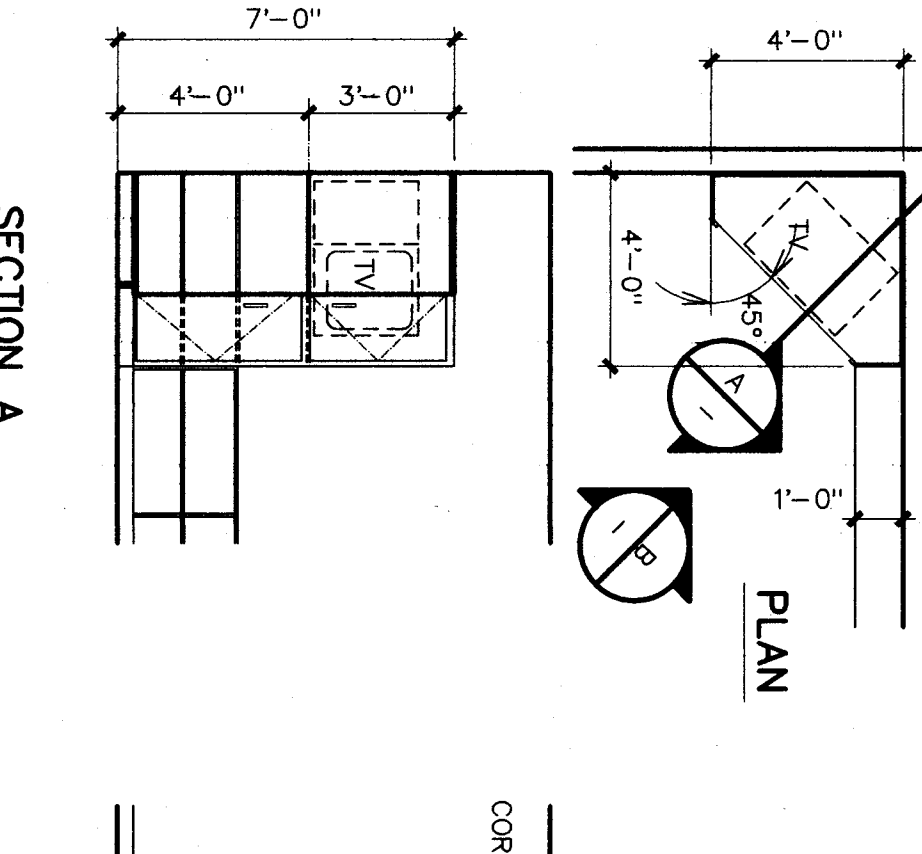
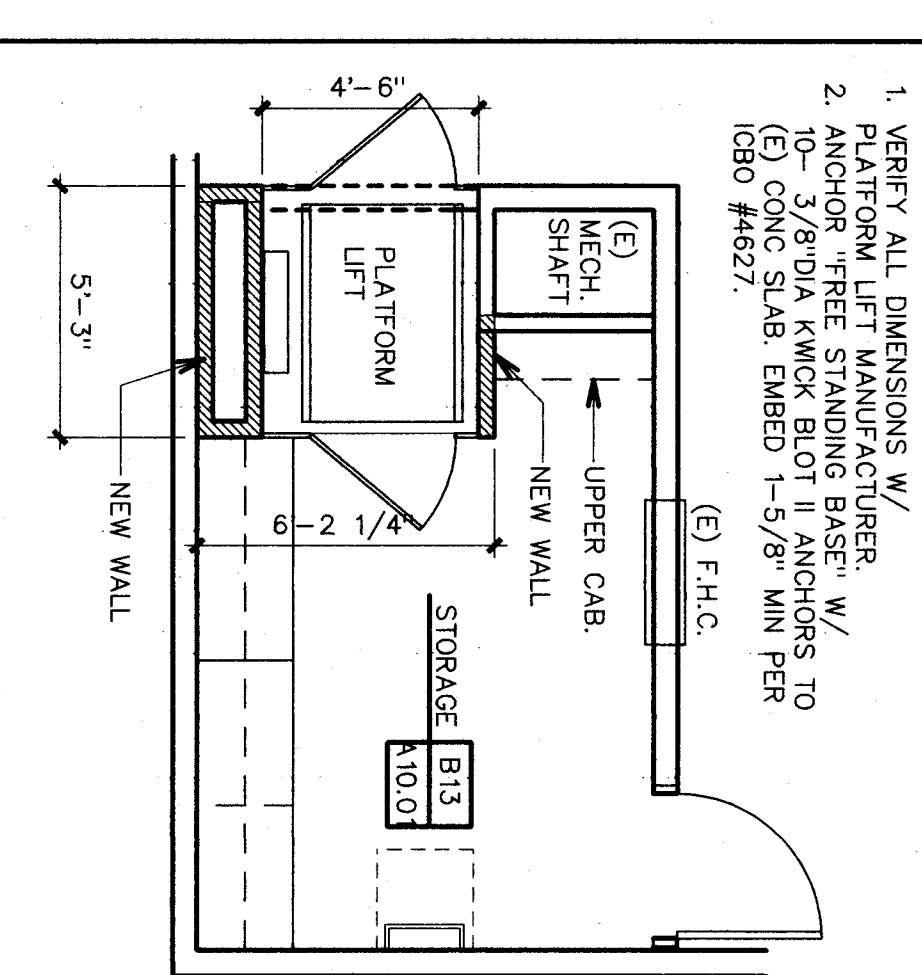
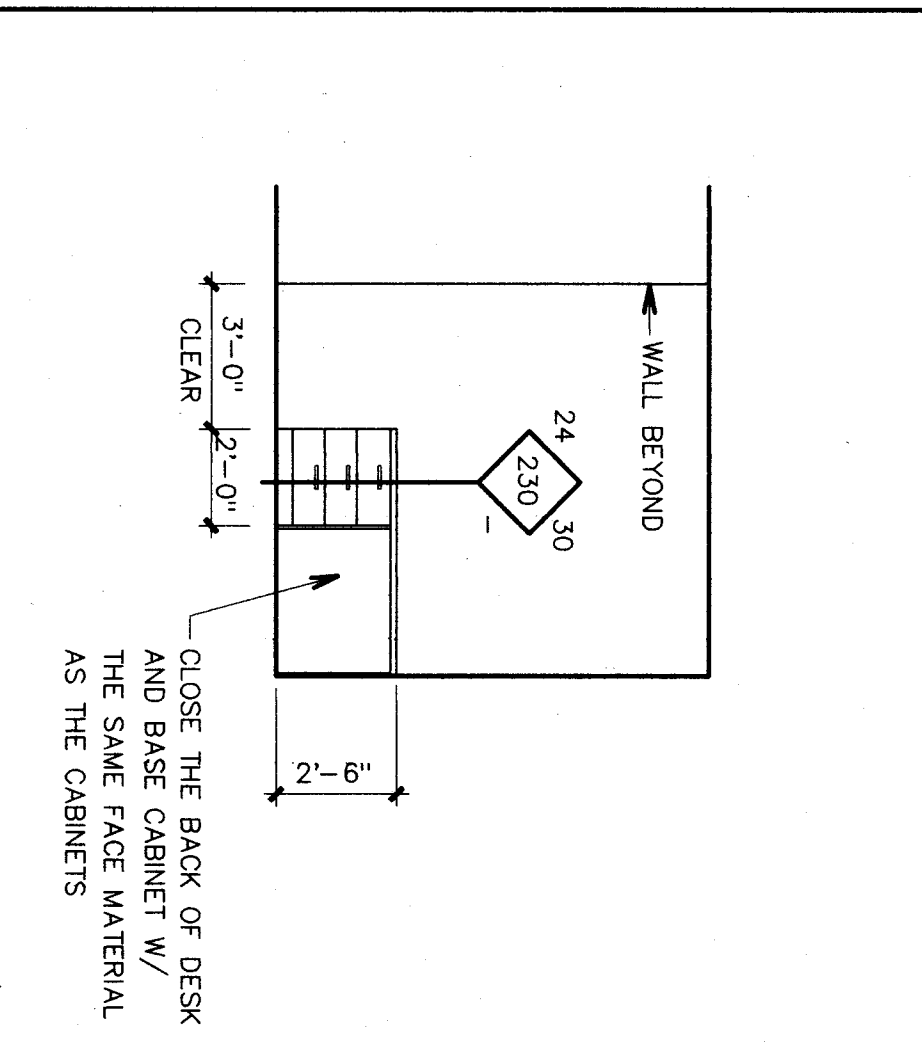
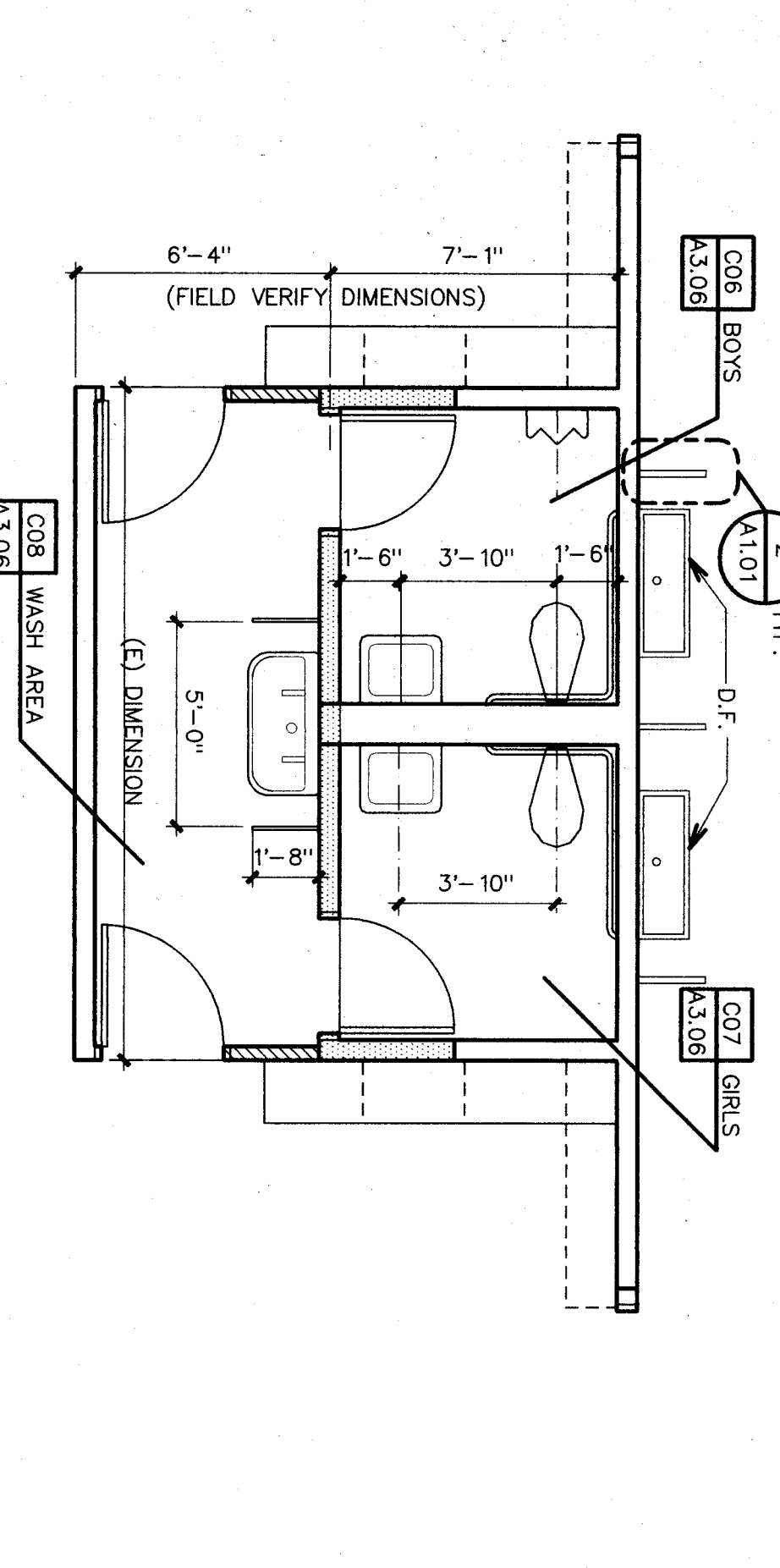


1 ENLARGED TOILET FLOOR PLANS BLDG-B
1/4" = 1'-0"

3 TYPICAL MOUNTING HEIGHTS
NO SCALE

5 GRAB BAR
3" = 1'-0"

6

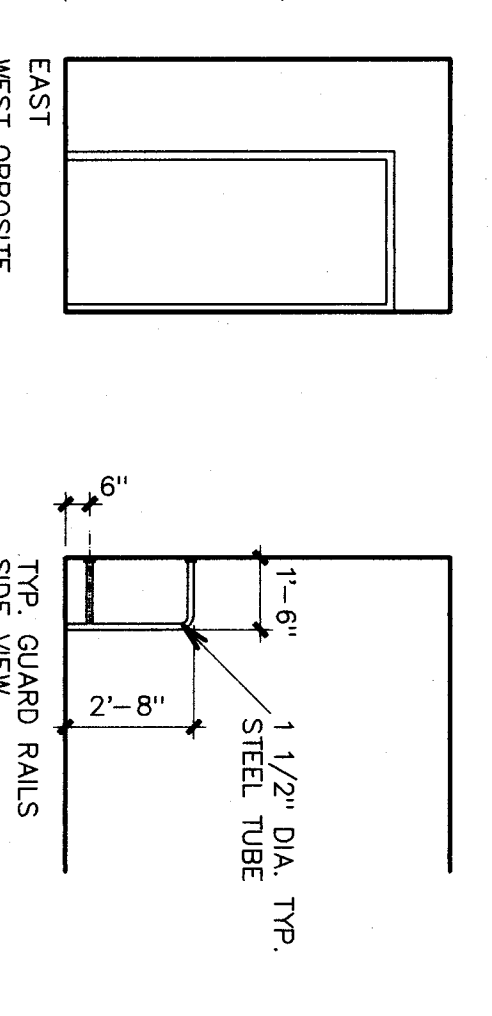
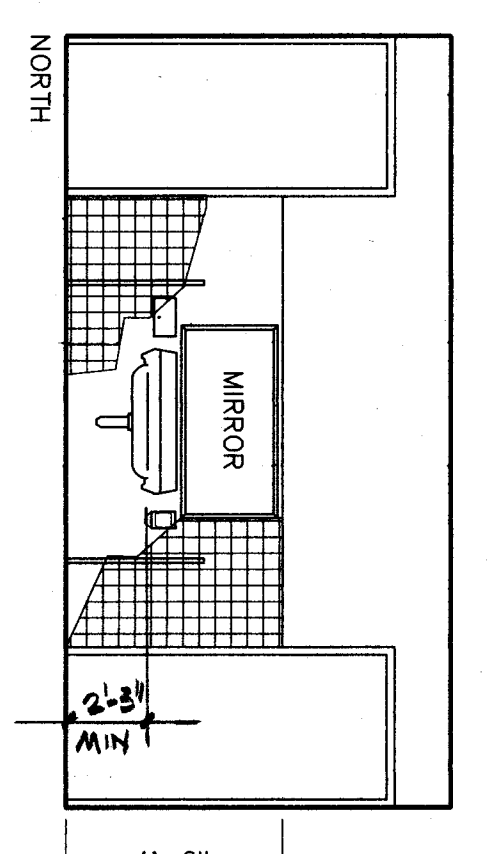
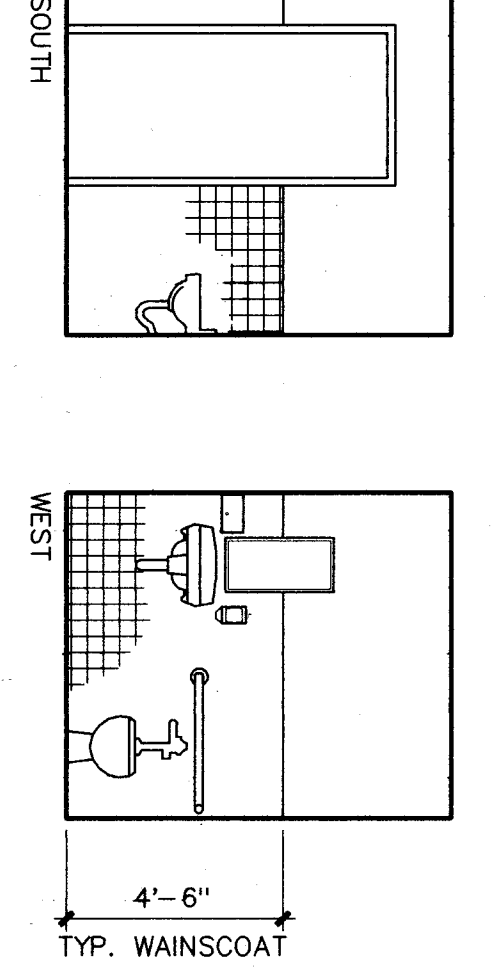
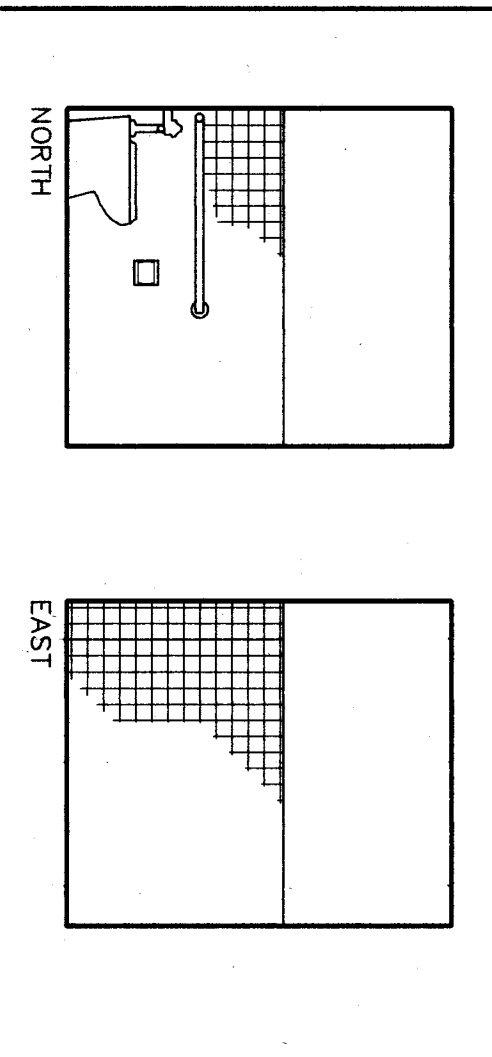
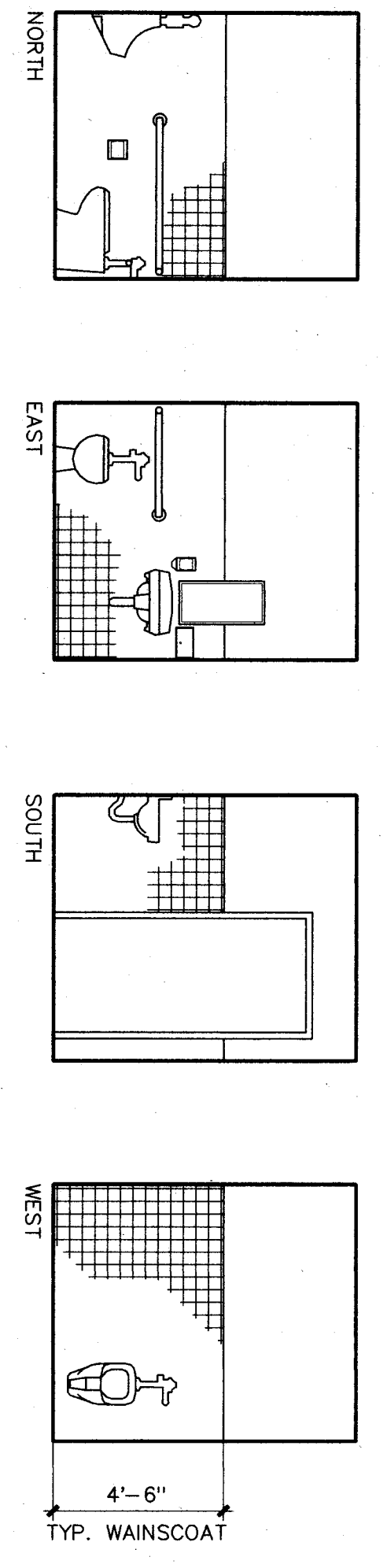


7 ENLARGED KINDERGARTEN TOILET FLOOR PLANS
1/4" = 1'-0"

9 ROOM A04 CABINET ELEVATION
1/4" = 1'-0"

10 ENLARGED ROOM B13
1/4" = 1'-0"

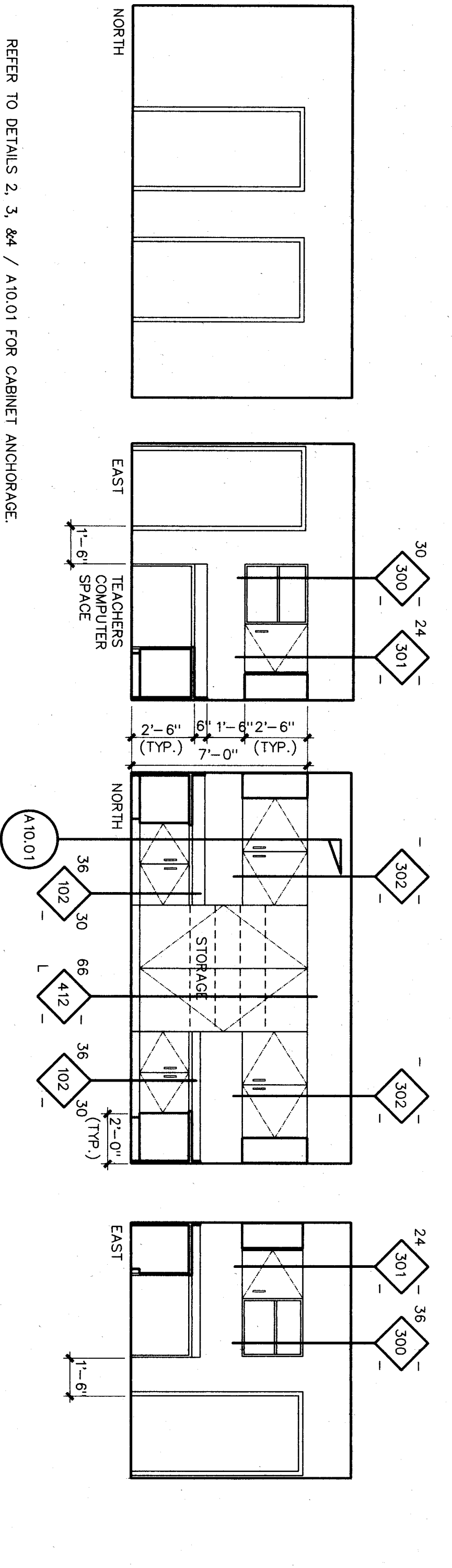
11 TYP. TV CORNER CABINET ELEVATIONS
1/4" = 1'-0"



13 INTERIOR ELEVATIONS BLDG. C BOYS C06
FOR TYPICAL MOUNTING HEIGHTS OF FIXTURES & ACCESSORIES, REFER TO DETAIL 2/A3.06

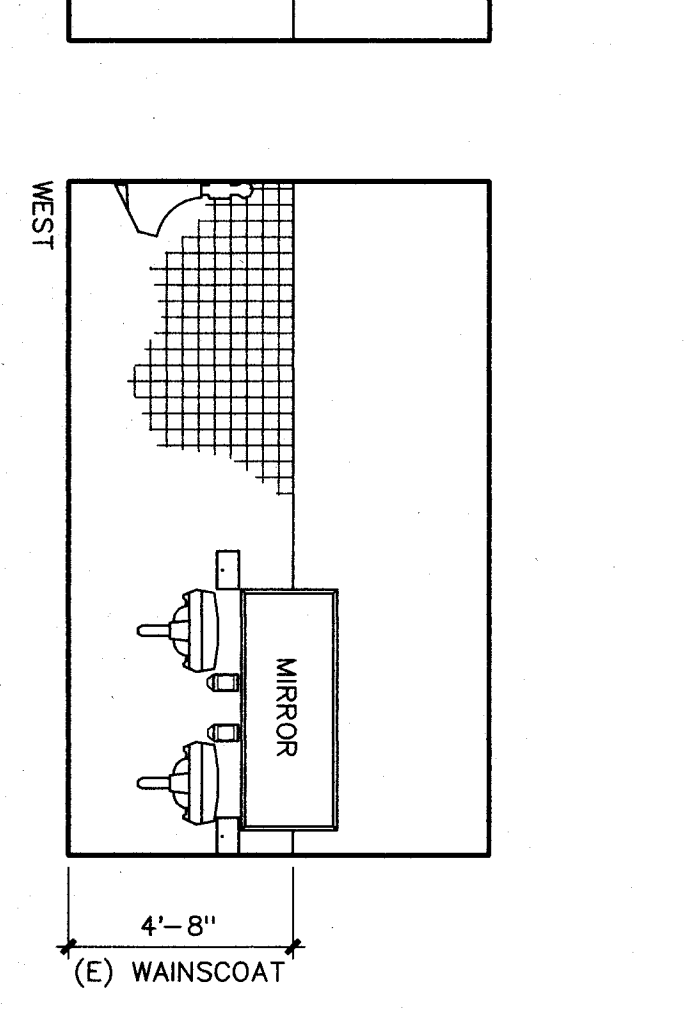
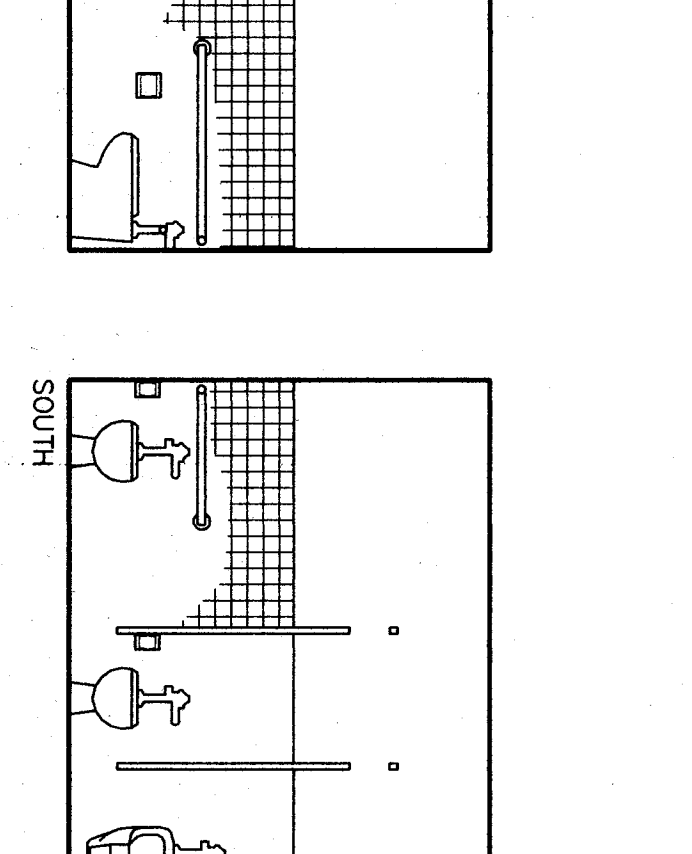
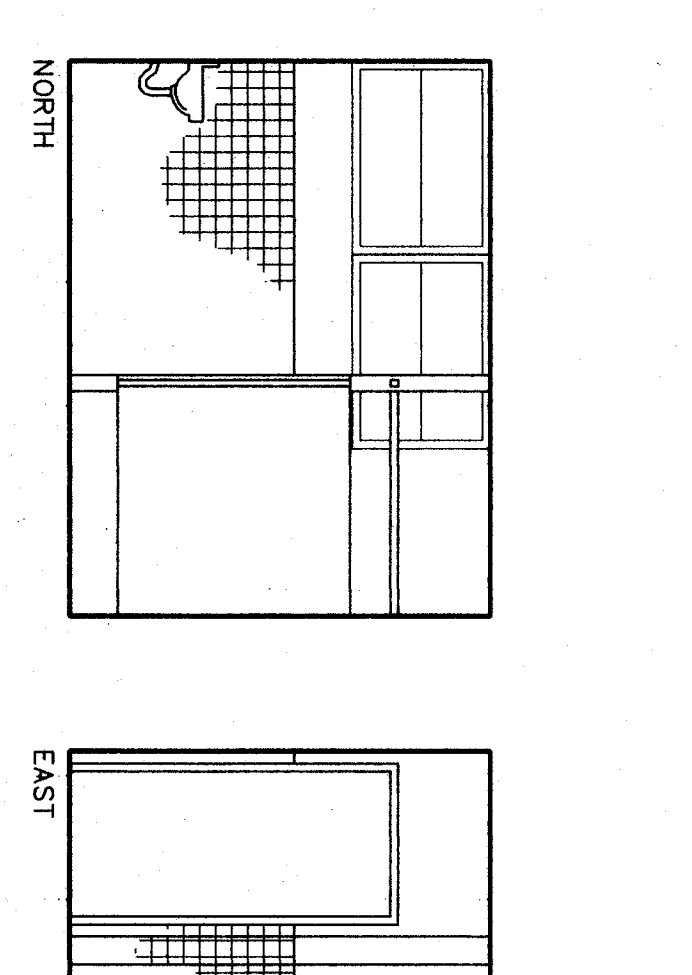
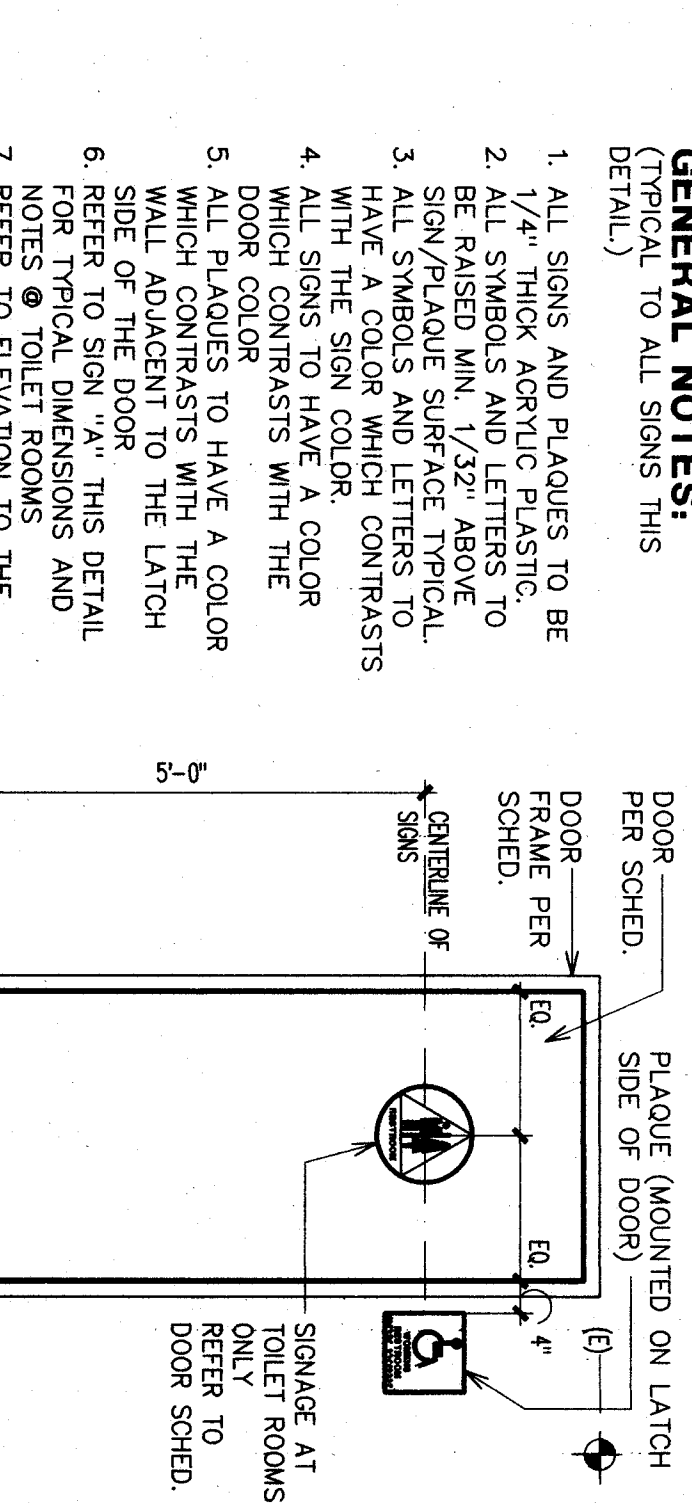
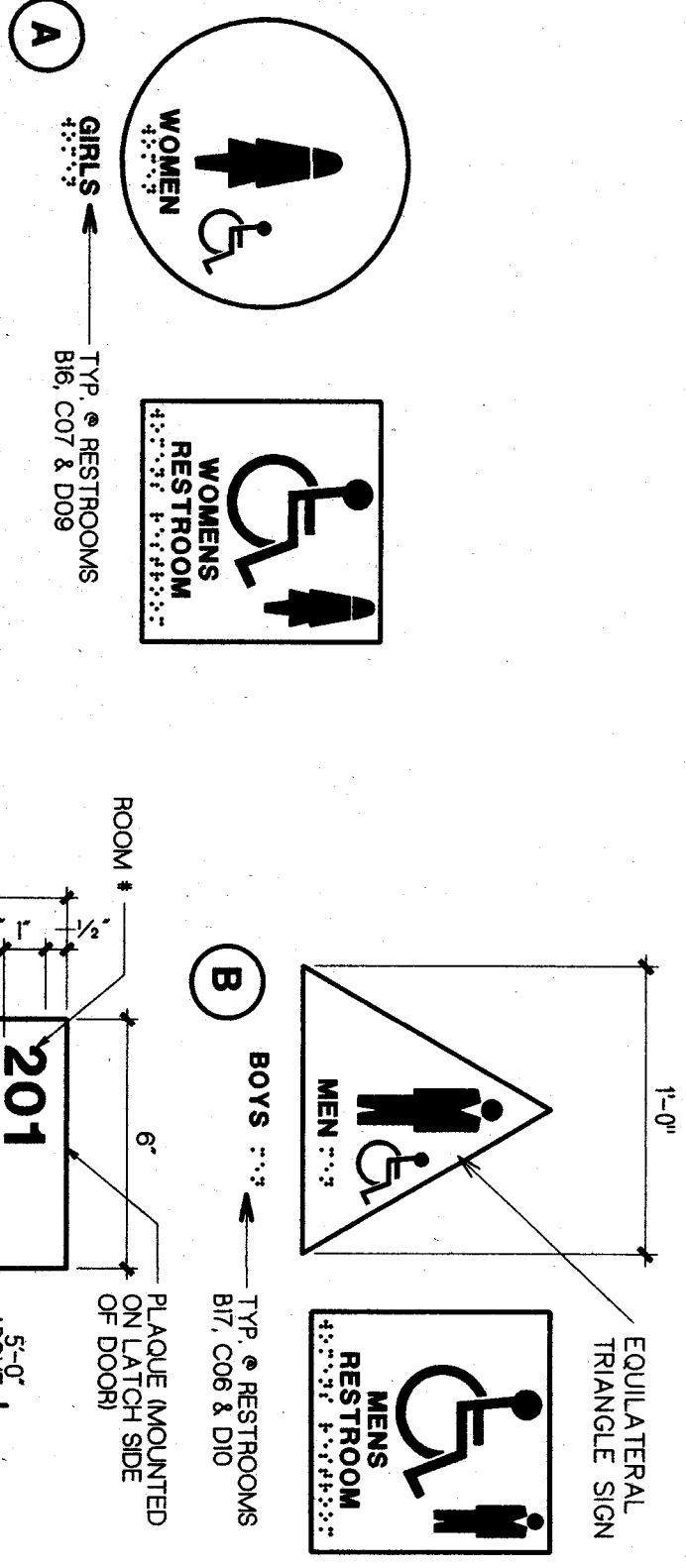
15 INTERIOR ELEVATIONS BLDG. C GIRLS C07

17 INTERIOR ELEVATIONS WASH AREA C08
1/4" = 1'-0"



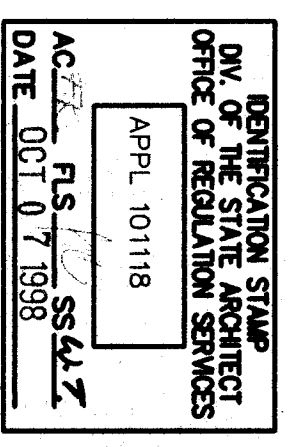
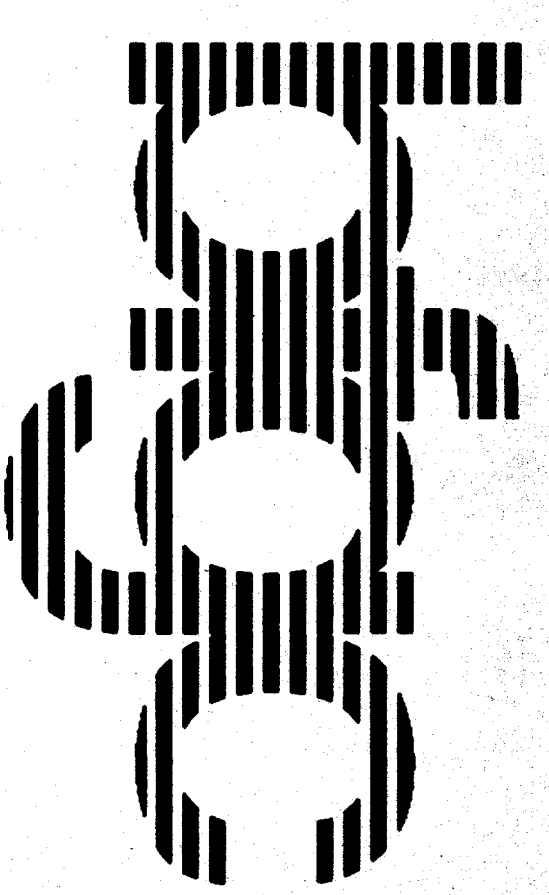
19 INTERIOR ELEVATIONS BLDG. C WORKROOM C03
REFER TO DETAILS 2, 3, & 4 / A.00.01 FOR CABINET ANCHORAGE

22 INTERIOR ELEVATIONS BLDG. D GIRLS D09

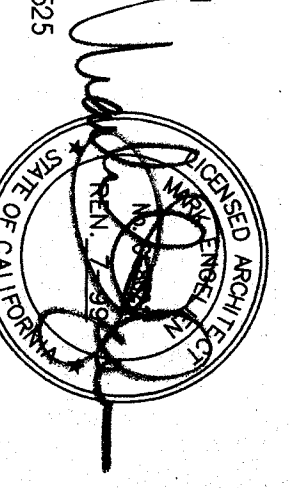


25 ACCESSIBILITY SIGNS

28 INTERIOR ELEVATIONS BLDG. D BOYS D10



bigc architects planners inc.
bakersfield
5500 ming avenue, suite 450, bakersfield, ca 93309-4831
805 836-4300 fax 805 836-4311



san luis obispo
3201 broad street suite 118
san luis obispo, california 93401
805 946-0483
san jose
180 west santa clara at suite 525
408 824-0841

**HORT SCHOOL
MODERNIZATION
BAKERSFIELD CITY
SCHOOL DISTRICT**

2301 PARK DRIVE
BAKERSFIELD, CA. 93306

**ENLARGED FLOOR PLANS
& INTERIOR ELEVATIONS**

job no.	97-278
date	MAY 8, 98
drawn by	J.L.G.
checked by	ROB T.
copyright	1998

