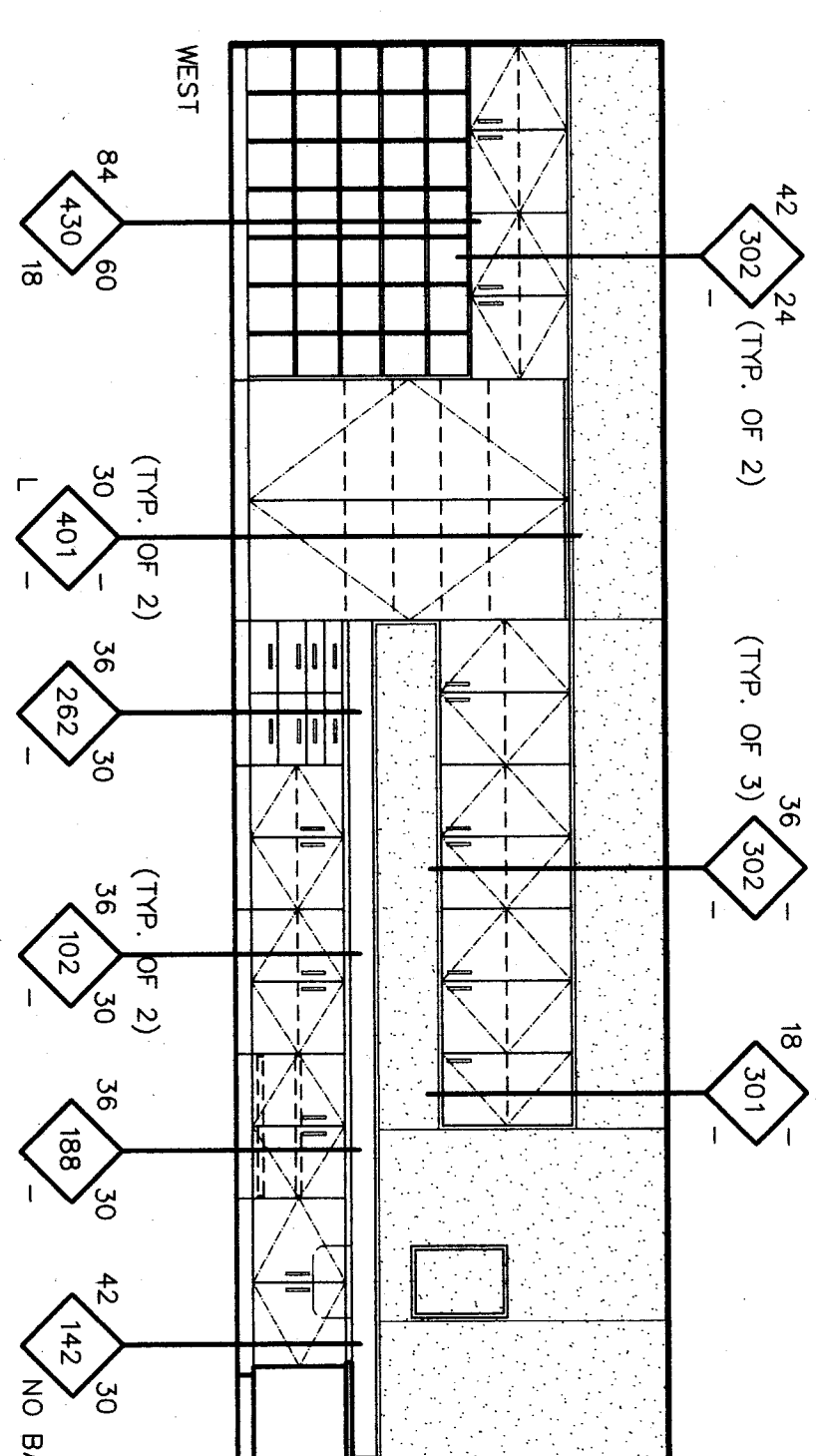
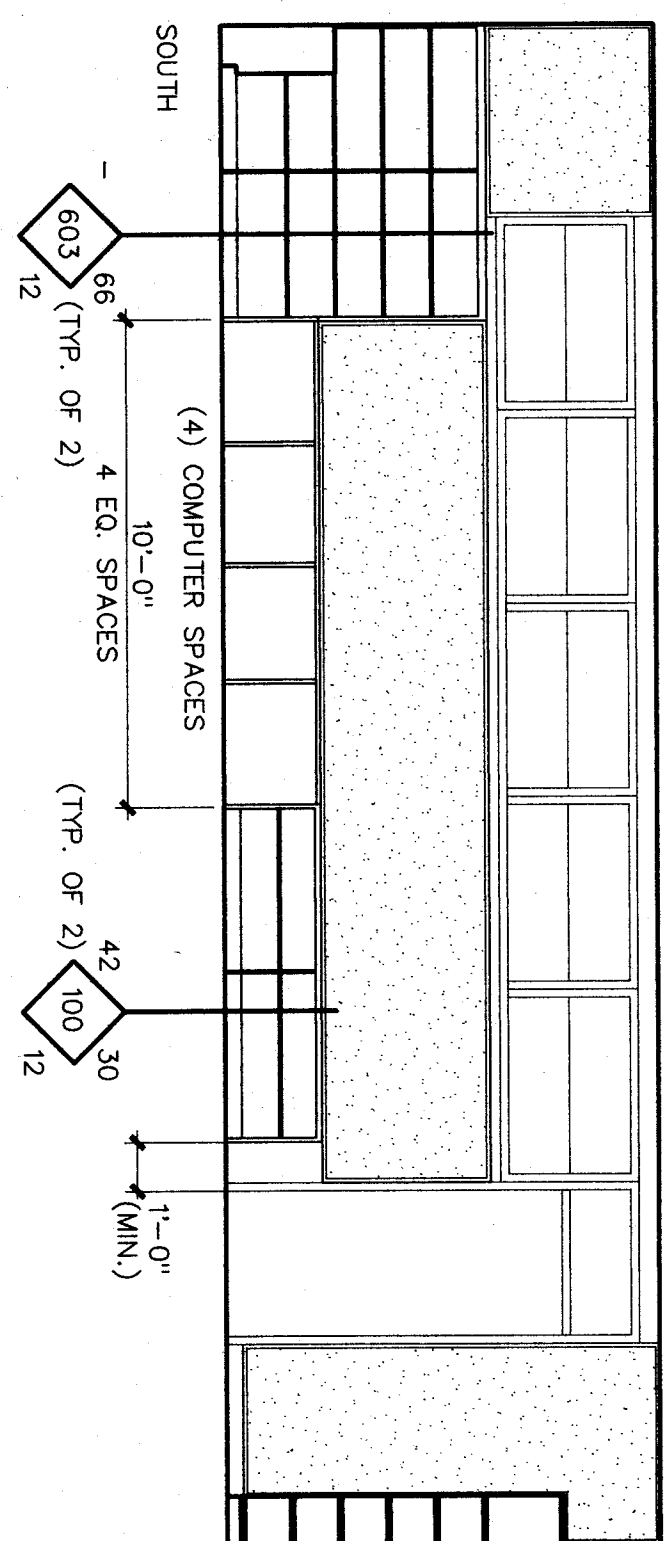
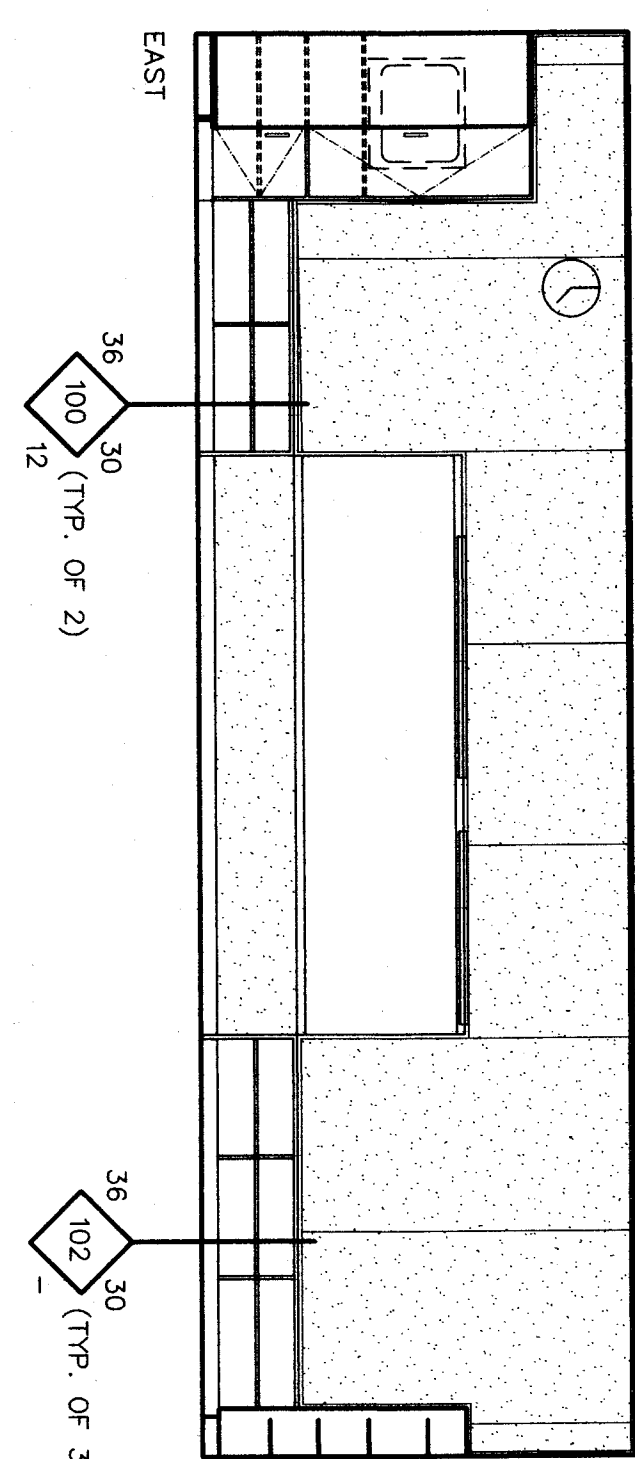
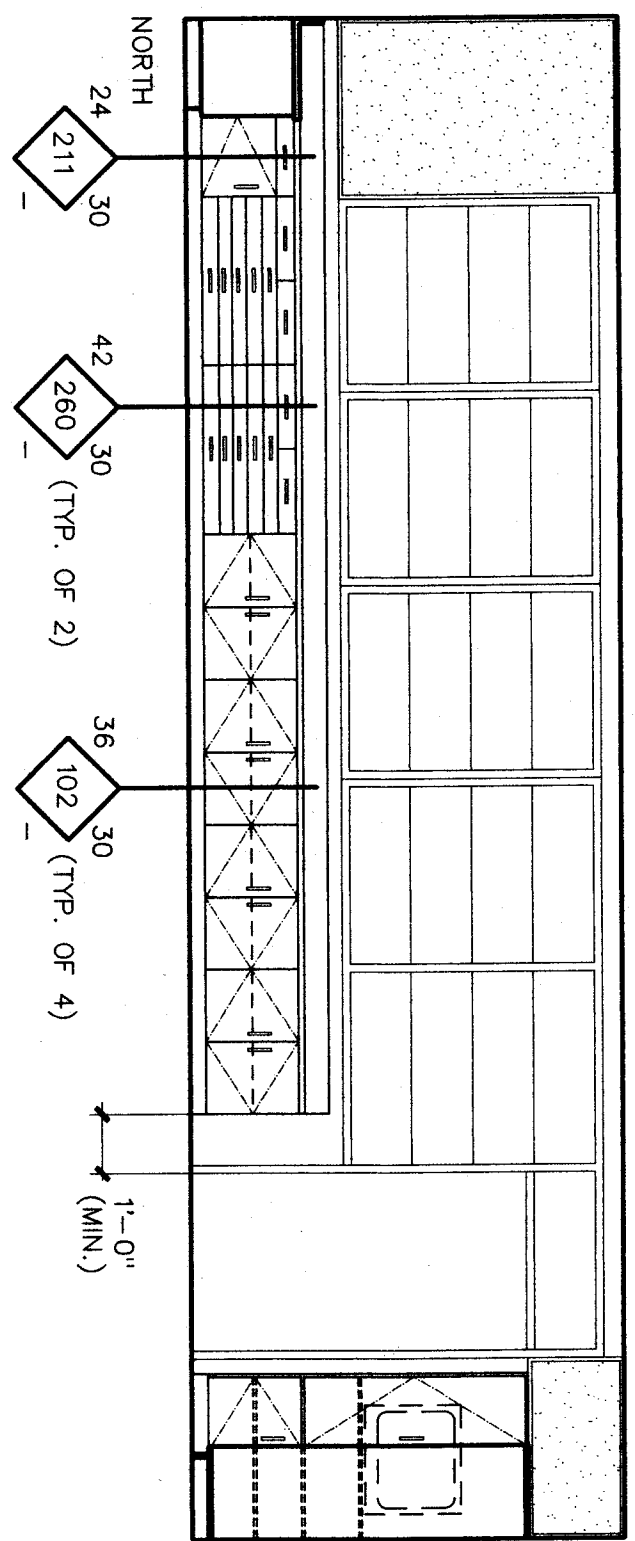


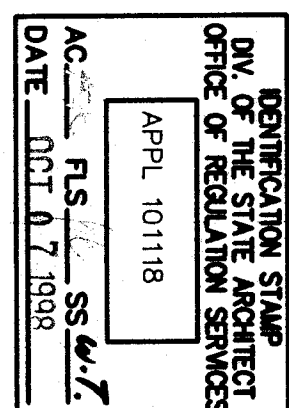
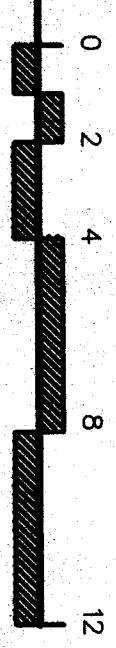
LIBRARY INTERIOR ELEVATIONS - BUILDING D

REFER TO DETAILS 2, 3, & 4 / A10.01 FOR CABINET ANCHORAGE



CLASSROOM INTERIOR ELEVATIONS - BUILDING R6

REFER TO DETAILS 2, 3, & 4 / A10.01 FOR CABINET ANCHORAGE



bfgc architects planners inc.
bakerfield

5500 ming avenue, suite 450 bakerfield ca, 93309-4831
805 836-4300 fax 805 836-4311
san luis obispo
3201 broad street suite 102
san luis obispo ca 95401
805 946-0433
san jose
160 west santa ana st. suite 525
san jose, california 95131
408 624-0361
principal architect
david l. central, aia. C-65584
mark a. gerner, aia. C-81522
william f. woodell, aia. C-18079
dena a. thompson, aia. C-81860
brian a. woodger, aia. C-10803
richard l. meek, aia. C-18079

**HORT SCHOOL
MODERNIZATION**

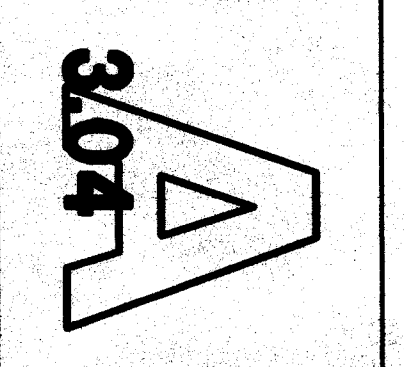
**BAKERSFIELD CITY
SCHOOL DISTRICT**

2301 PARK DRIVE
BAKERSFIELD, CA, 93306

INTERIOR ELEVATIONS

BUILDINGS D & R6

job no.	97-278
date	JULY 8, 98
drawn by	J.L.G.
chk'd by	ROB T.
copyright	1998



PLOT DATE: 04-16-98
PLOT NAME: USR\ADMIN\97-278\DWG\71R204.dwg