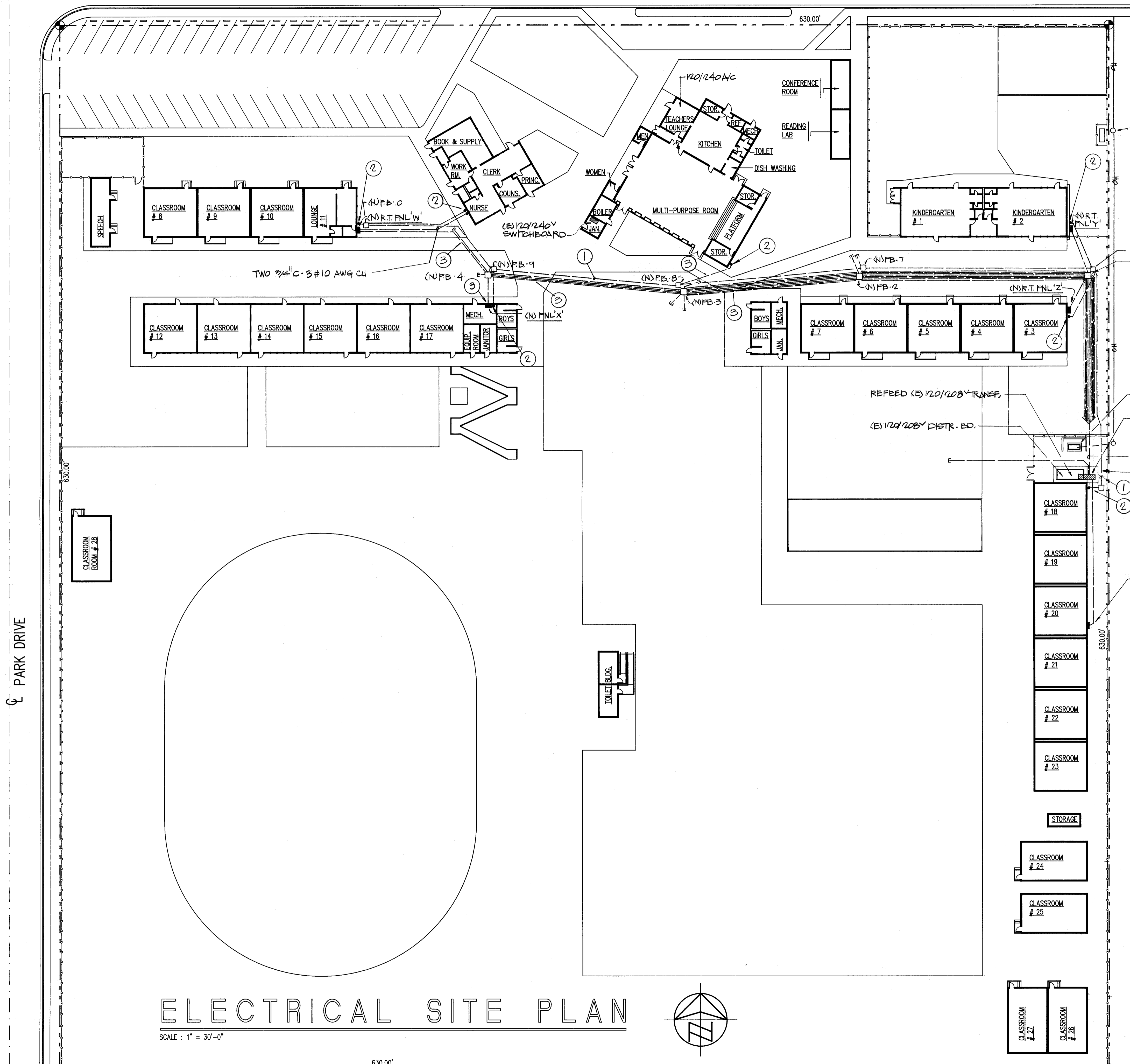
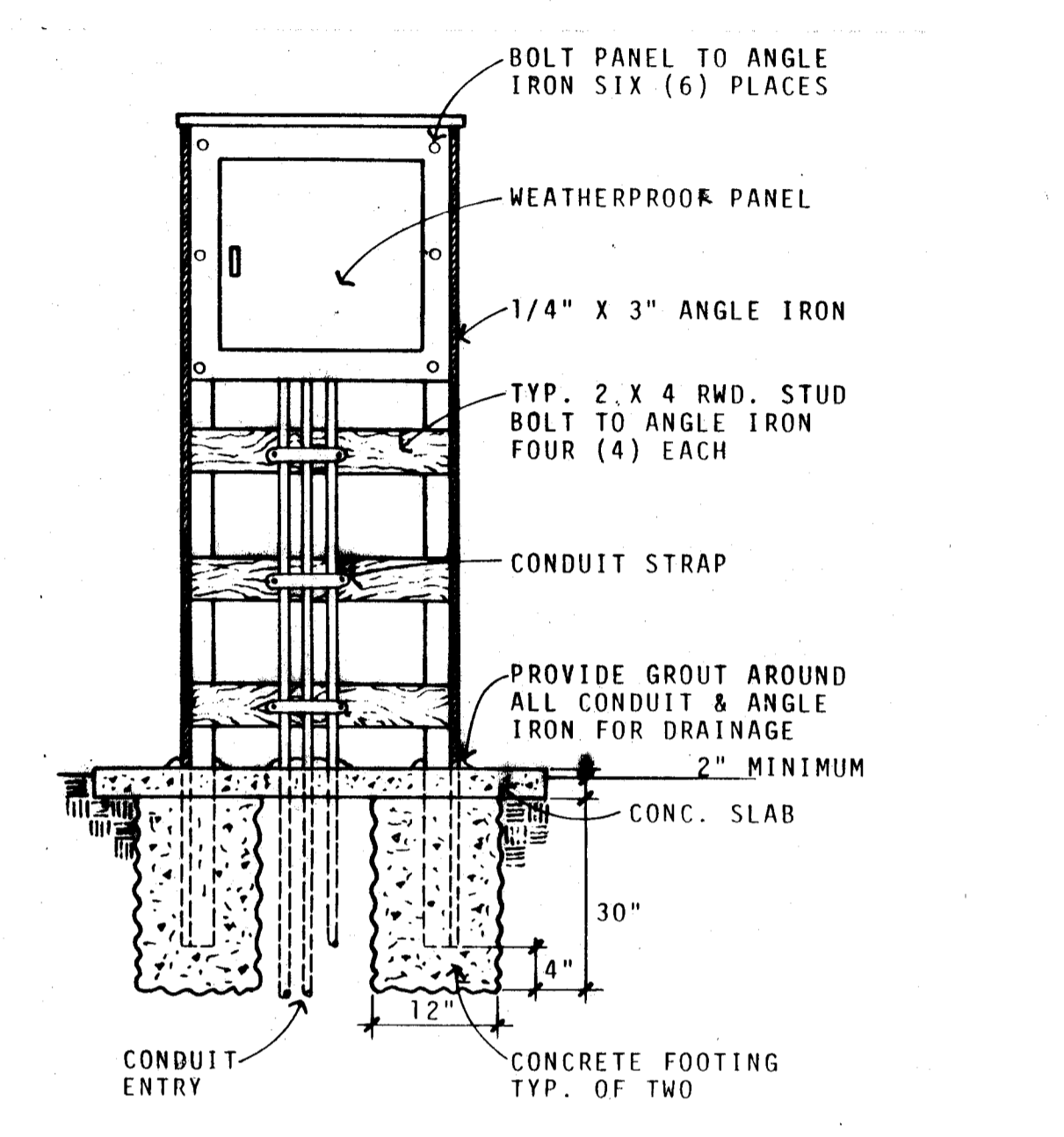
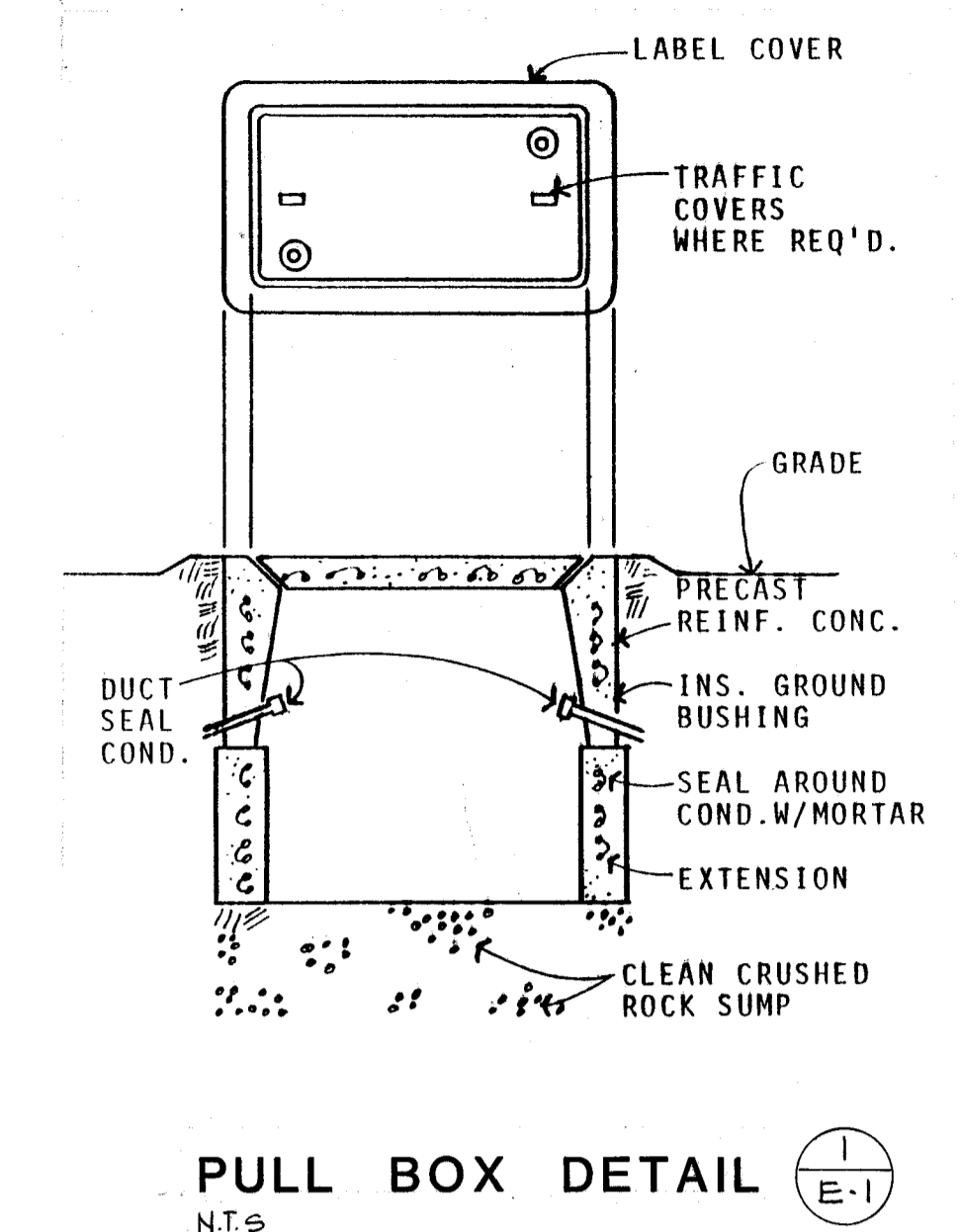


WILLIS AVENUE



ELECTRICAL SITE PLAN

SCALE: 1" = 30'-0"



SYMBOL SCHEDULE		
SYMBOL	NAME	DESCRIPTION
⊕	DUPLEX CONVENIENCE OUTLET	WEATHERPROOF, NEMA GROUND
⊕	MOTOR WITH DISCONNECT SWITCH	
—○—	FLEXIBLE CONDUIT	MINIMUM 3/4" CONDUIT
⊕	J-BOX	MINIMUM 4S WITH BLANK PLATE WEATHERPROOF
⊕	J-BOX	6" X 6" X 4" WEATHERPROOF
○	REFERENCE NOTES	
○	FEEDER NOTES	
(E)	DENOTES EXISTING ITEM	

- NOTES:
- ① TYPICAL, EMS CONDUITS 3/4".
  - ② STUB UP CONDUIT AND CAP FOR FUTURE EMS CONTROLS. ALL EXTERIOR PIPES RIGID.
  - ③ JACK UP CONCRETE WALKS AS REQUIRED. PATCH TO MATCH EXISTING WALKS.

UTILITY COMPANY: PG&E CO.  
 UTILITY CO. JOB REF. NO.:  
 TELEPHONE NO.: 1-805-298-5978  
 ADDRESS: 1918 "H" STREET  
BAKERSFIELD, CA 93301  
 CONTACT: GERRY O'HARA

SCHOOL EQUIPMENT ANCHORAGE

ALL MECHANICAL AND ELECTRICAL EQUIPMENT SHALL BE BRACED OR ANCHORED TO RESIST HORIZONTAL FORCE ACTING IN ANY DIRECTION USING THE FOLLOWING CRITERIA:

FIXED EQUIPMENT ON GRADE	20% OF OPERATING WEIGHT
FIXED EQUIPMENT ON STRUCTURE	30% OF OPERATING WEIGHT
EMERGENCY POWER EQUIPMENT ON GRADE	40% OF OPERATING WEIGHT
EMERGENCY POWER EQUIPMENT ON STRUCTURE	60% OF OPERATING WEIGHT

FOR FLEXIBLY MOUNTED EQUIPMENT USE 4 X THE ABOVE VALUES. SIMULTANEOUS VERTICAL FORCE - USE 1/3 X HORIZONTAL FORCE.

WHERE ANCHORAGE DETAILS ARE NOT SHOWN ON THE DRAWINGS FOR EQUIPMENT 400 POUNDS OR LESS THE FIELD INSTALLATION SHALL BE SUBJECT TO THE APPROVAL OF THE MECHANICAL AND ELECTRICAL ENGINEER AND THE FIELD REPRESENTATIVE OF THE OFFICE OF THE STATE ARCHITECT.

PULL BOX SCHEDULE:

- PB #1 25" X 36-3/8" - MEETS P G & E SPEC.
- PB #2 25" X 36-3/8" - MEETS P G & E SPEC.
- PB #3 17-1/4" X 30" - MEETS P G & E #6 STATE SPEC.
- PB #4 13-1/4" X 24" - MEETS #5 STATE SPEC.
- PB #5, #6, #7, #8, #9 AND #10 - MEETS #3-1/2 STATE SPEC.

ELECTRICAL SITE PLAN ~ SYMBOL SCHEDULE ~ DETAILS

( AIR CONDITIONING )

HORT SCHOOL  
BAKERSFIELD CITY SCHOOL DISTRICT  
2301 PARK DRIVE, BAKERSFIELD, CALIFORNIA

APPROVED FIRE AND PANIC ONLY  
APR 4 1991  
STATE FIRE MARSHALL SOUTHERN REGION

FIRE MARSHAL

IDENTIFICATION STAMP  
Department of General Services  
Office of the State Architect  
APR 4 1991  
Structural Safety Section  
Ampl. # 43 25 63 J.D.L.A.

JOB NO. 142  
SHEET NO. 1  
SHEET 1 OF 4

Glenn Hartzell A.I.A.  
26 "H" STREET, 93304, (805) 324-6416  
P.O. BOX 2344, 93303, BAKERSFIELD, CALIFORNIA  
ARCHITECT C-10298

BAKERSFIELD CITY SCHOOL DISTRICT  
BY RESOLUTION OF THE BOARD OF TRUSTEES  
APPROVED: [Signature]

INTERSTATE ENGINEERING, INC.  
Electrical Engineer #101  
17 Fresno, CA 93701  
(209) 488-1151

DATE: 1-11-91  
DRAWN: FV