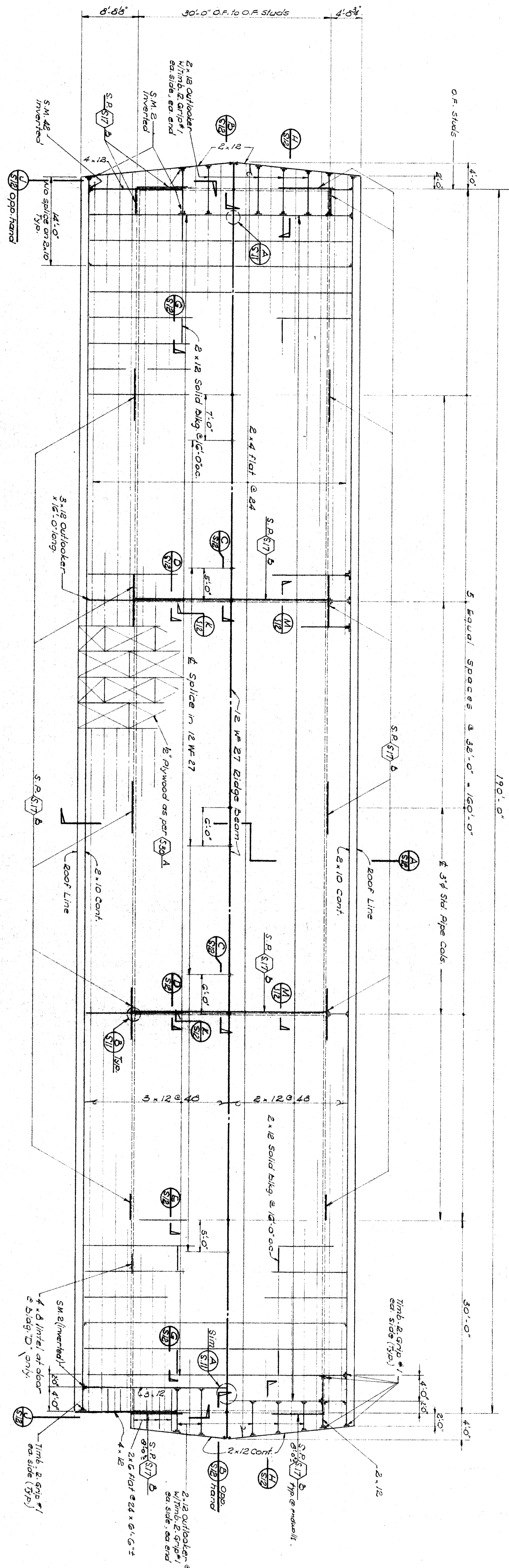
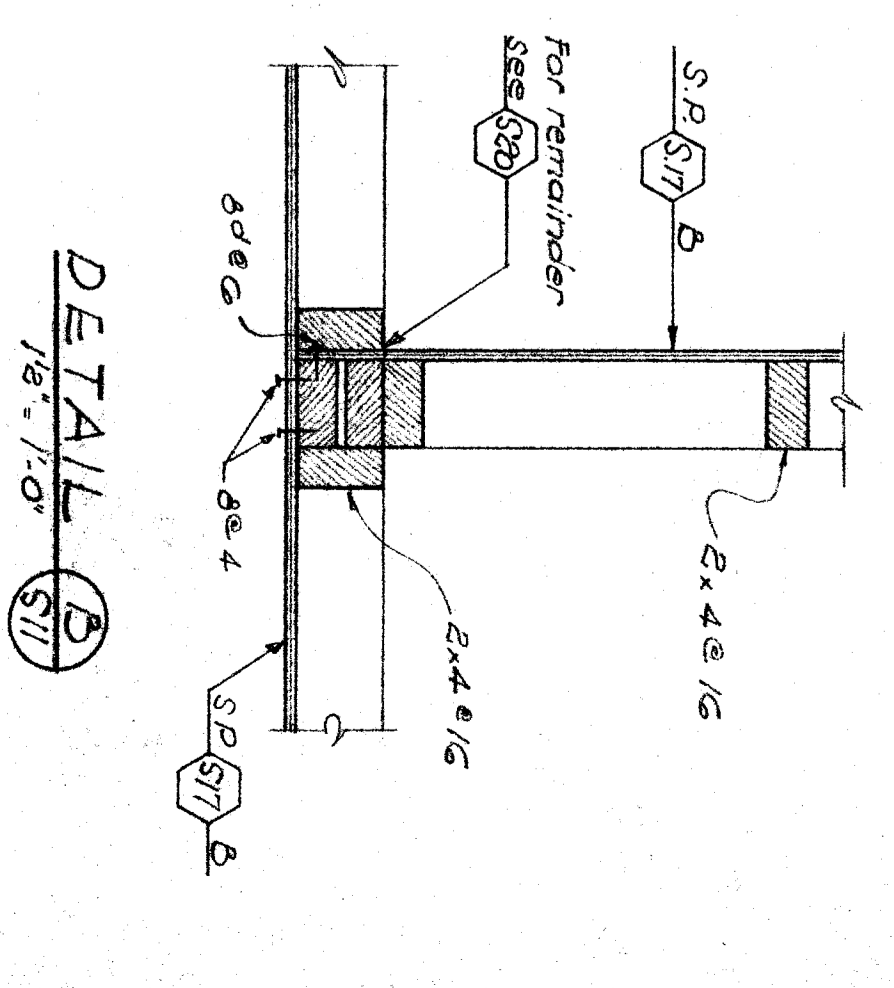
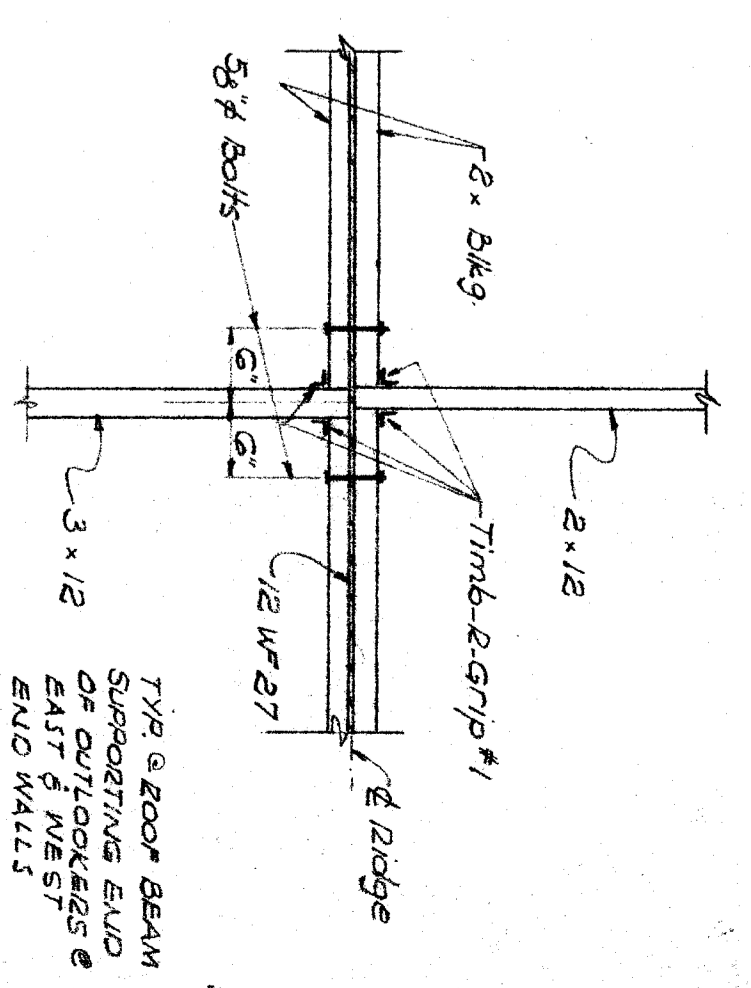
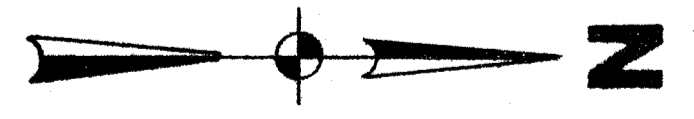


CLASSROOM BUILDINGS 'D' & 'E'
FOUNDATION PLAN
8'-11-58



CLASSROOM BUILDINGS 'D' & 'E'
ROOF FRAMING PLAN
8'-11-58



Steel sections to be tested:
12 WF 27

FOR NOTES & TYPICAL STRUCTURAL DETAILS SEE SPECS. SITS 57 THRU 59

CHECK AND VERIFY ALL DIMENSIONS BEFORE PROCEEDING WITH THE WORK. REPORT ANY DISCREPANCIES TO THE ARCHITECT.		STATE OF CALIFORNIA - DEPARTMENT OF PUBLIC WORKS	
APPROVED	APPROVED	APPROVED	APPROVED
18617	18617	18617	18617
WILSON AND WILSON	WILSON AND WILSON	WILSON AND WILSON	WILSON AND WILSON
ARCHITECTS	ARCHITECTS	ARCHITECTS	ARCHITECTS
BAKERSFIELD CITY SCHOOL DISTRICT	BAKERSFIELD CITY SCHOOL DISTRICT	BAKERSFIELD CITY SCHOOL DISTRICT	BAKERSFIELD CITY SCHOOL DISTRICT
SECTION 35 SCHOOL	SECTION 35 SCHOOL	SECTION 35 SCHOOL	SECTION 35 SCHOOL
BAKERSFIELD	BAKERSFIELD	BAKERSFIELD	BAKERSFIELD
CALIFORNIA	CALIFORNIA	CALIFORNIA	CALIFORNIA
DATE: JUN 1 1959	DATE: JUN 1 1959	DATE: JUN 1 1959	DATE: JUN 1 1959
JOB NO. 59-74	JOB NO. 59-74	JOB NO. 59-74	JOB NO. 59-74
DRAWN: J.D.M.	DRAWN: J.D.M.	DRAWN: J.D.M.	DRAWN: J.D.M.
CHECKED: J.C.	CHECKED: J.C.	CHECKED: J.C.	CHECKED: J.C.
DATE: JUN 1 1959	DATE: JUN 1 1959	DATE: JUN 1 1959	DATE: JUN 1 1959
SEAL	SEAL	SEAL	SEAL
SEAL	SEAL	SEAL	SEAL
SEAL	SEAL	SEAL	SEAL
SEAL	SEAL	SEAL	SEAL