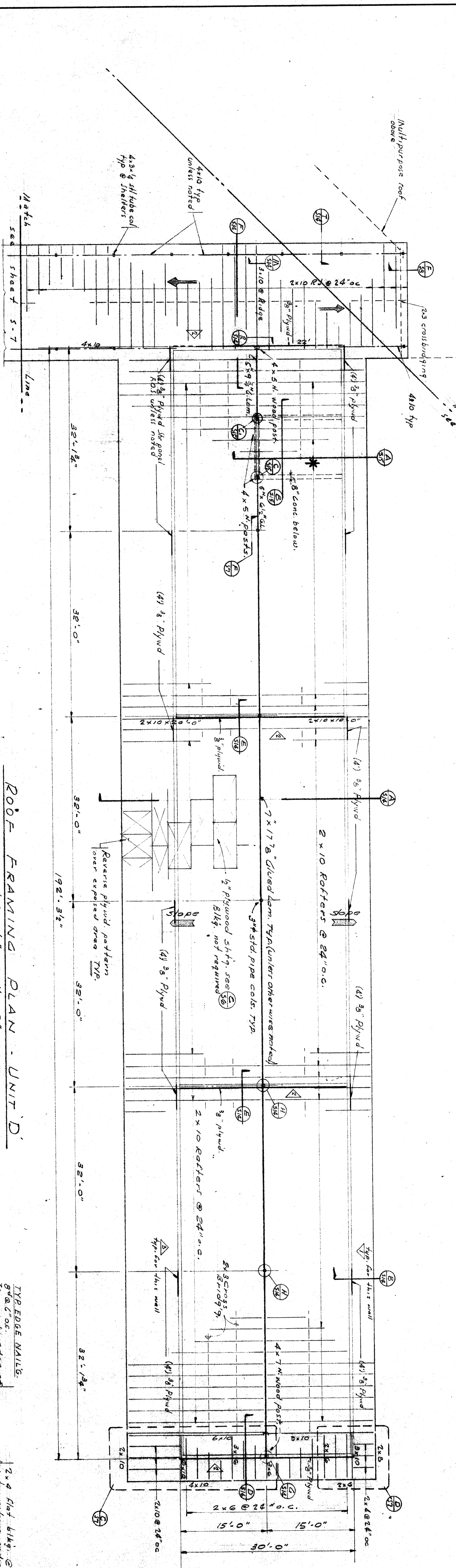


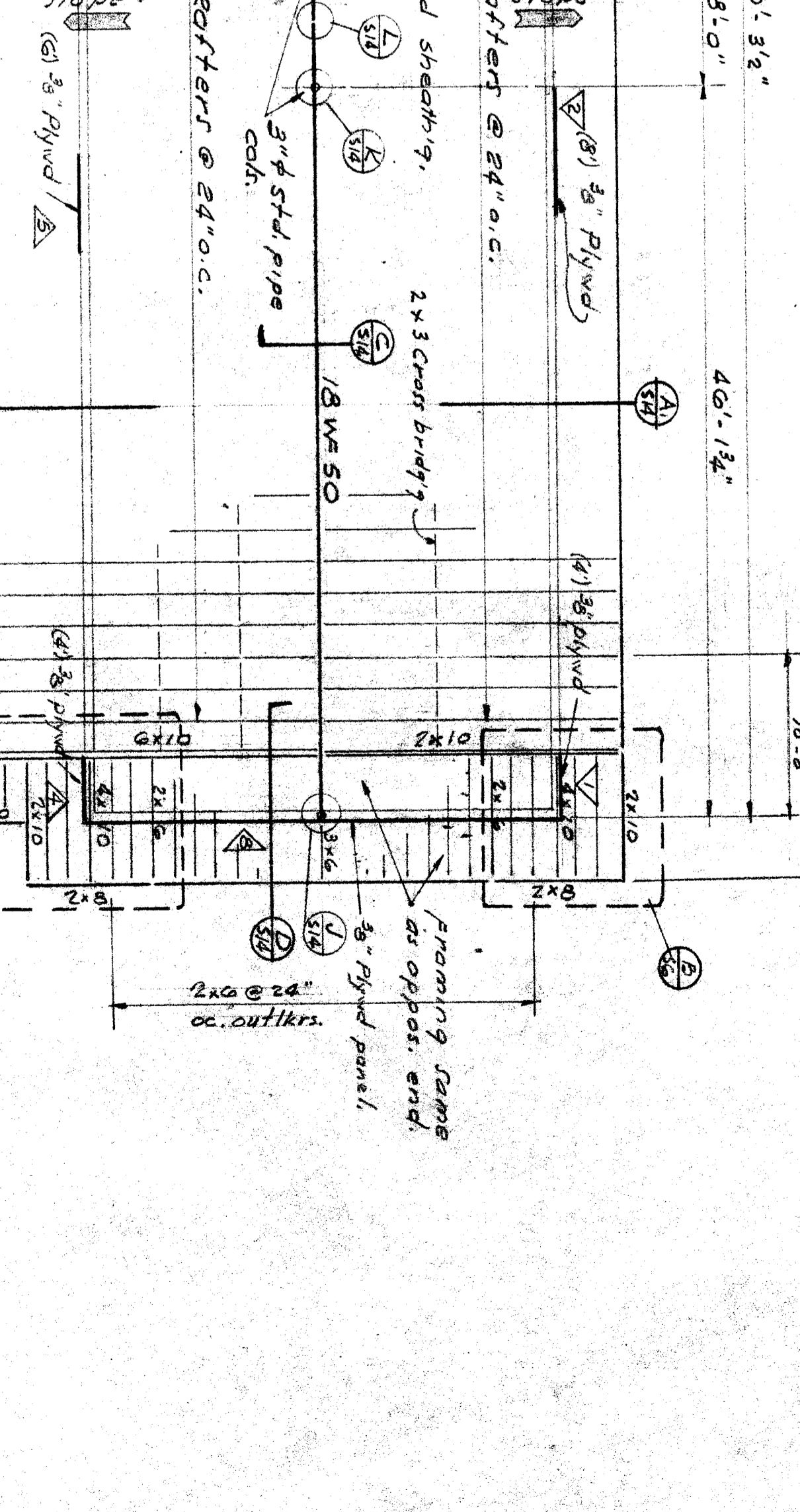
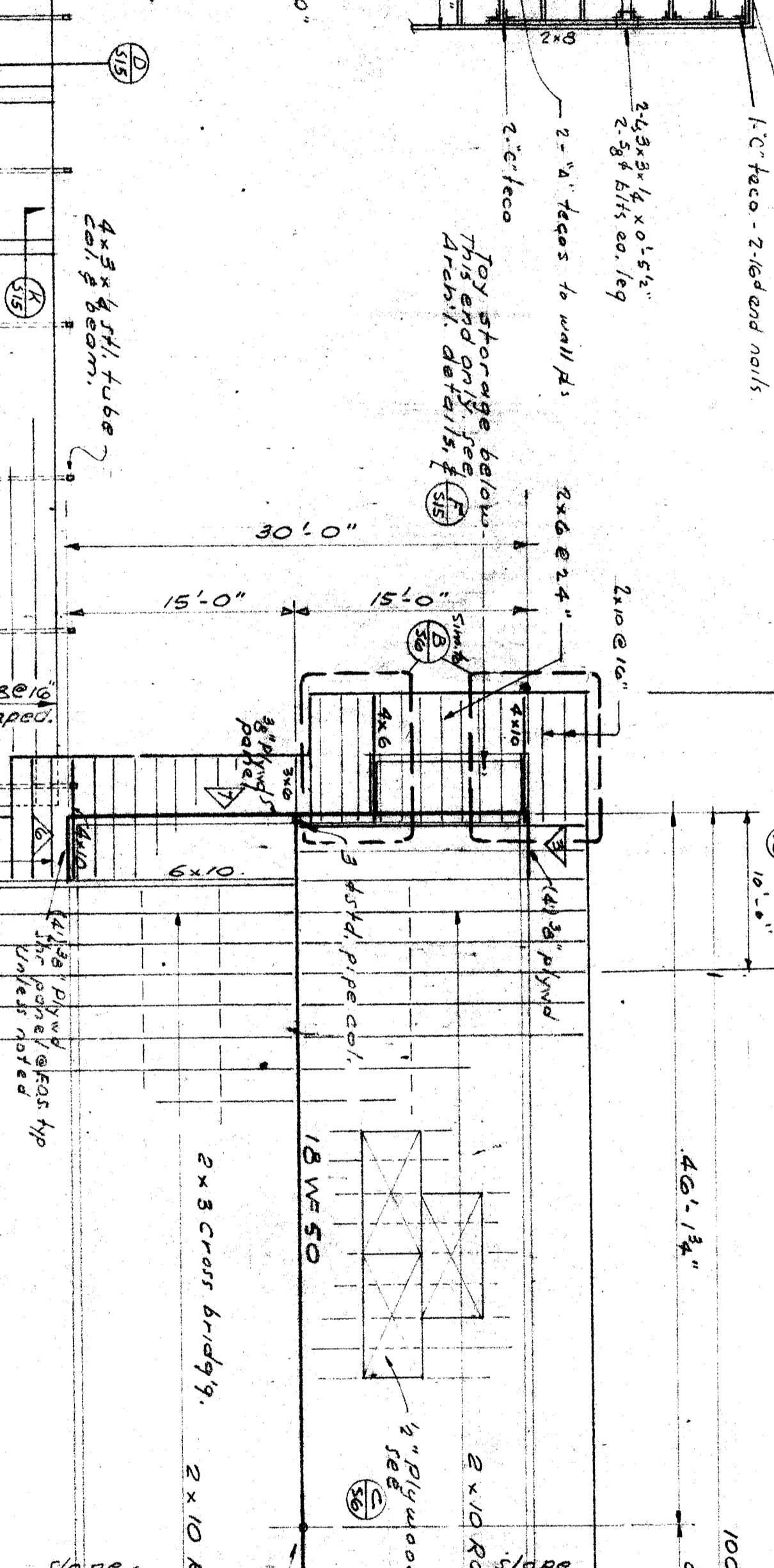
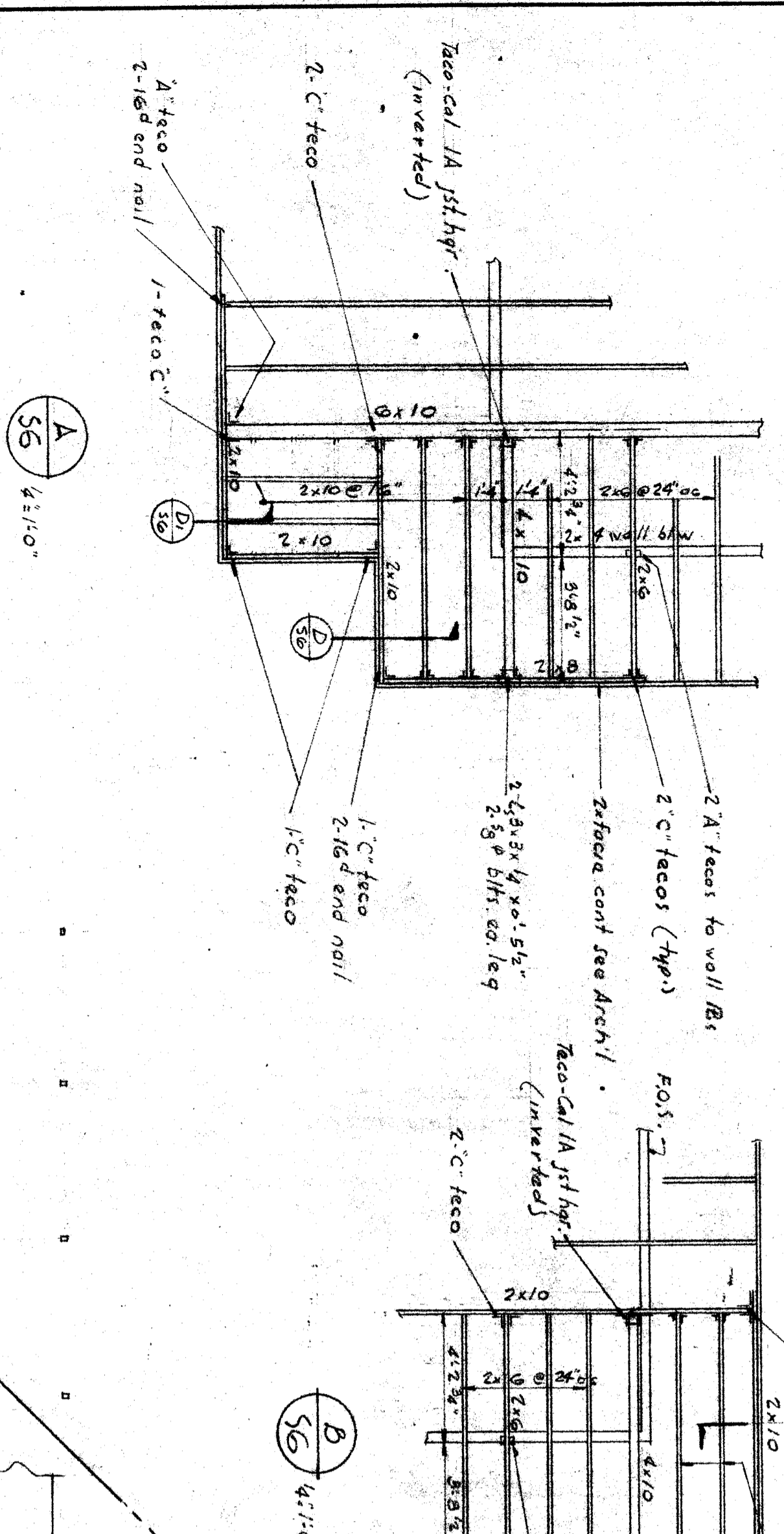
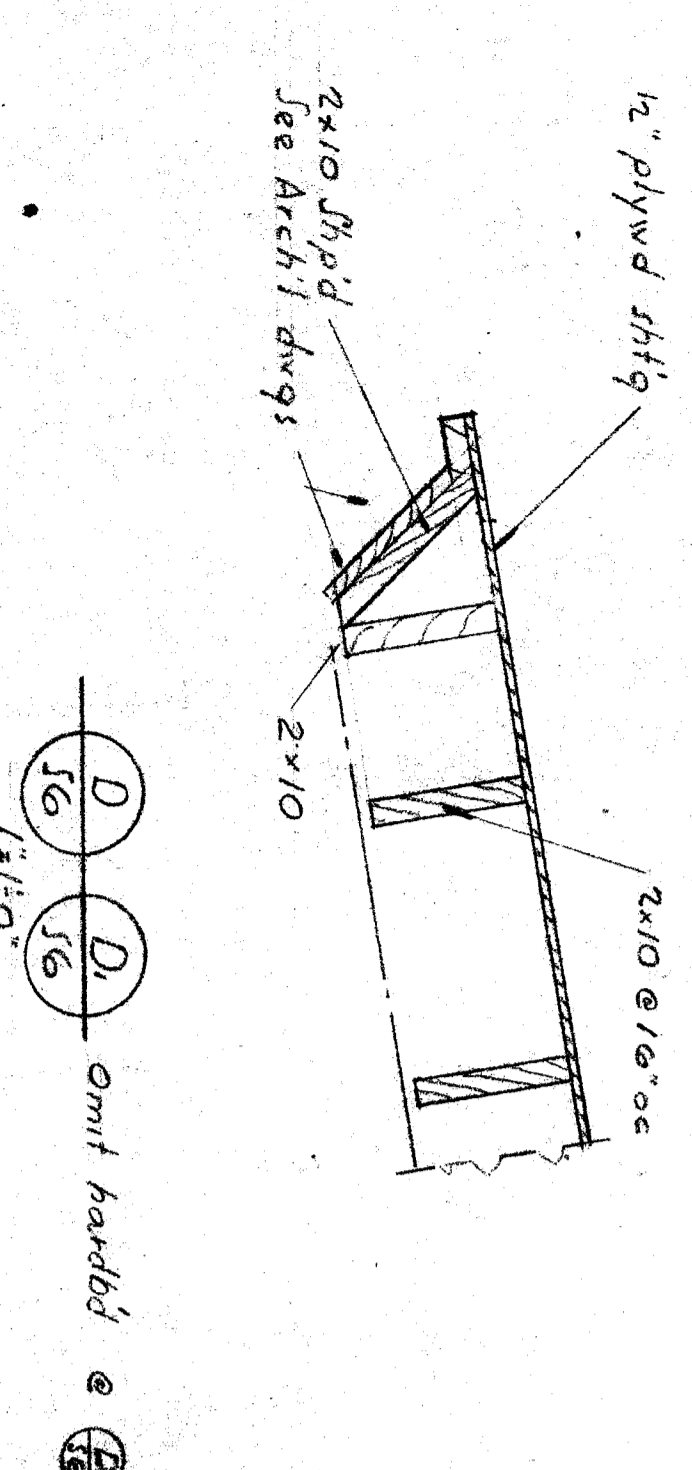
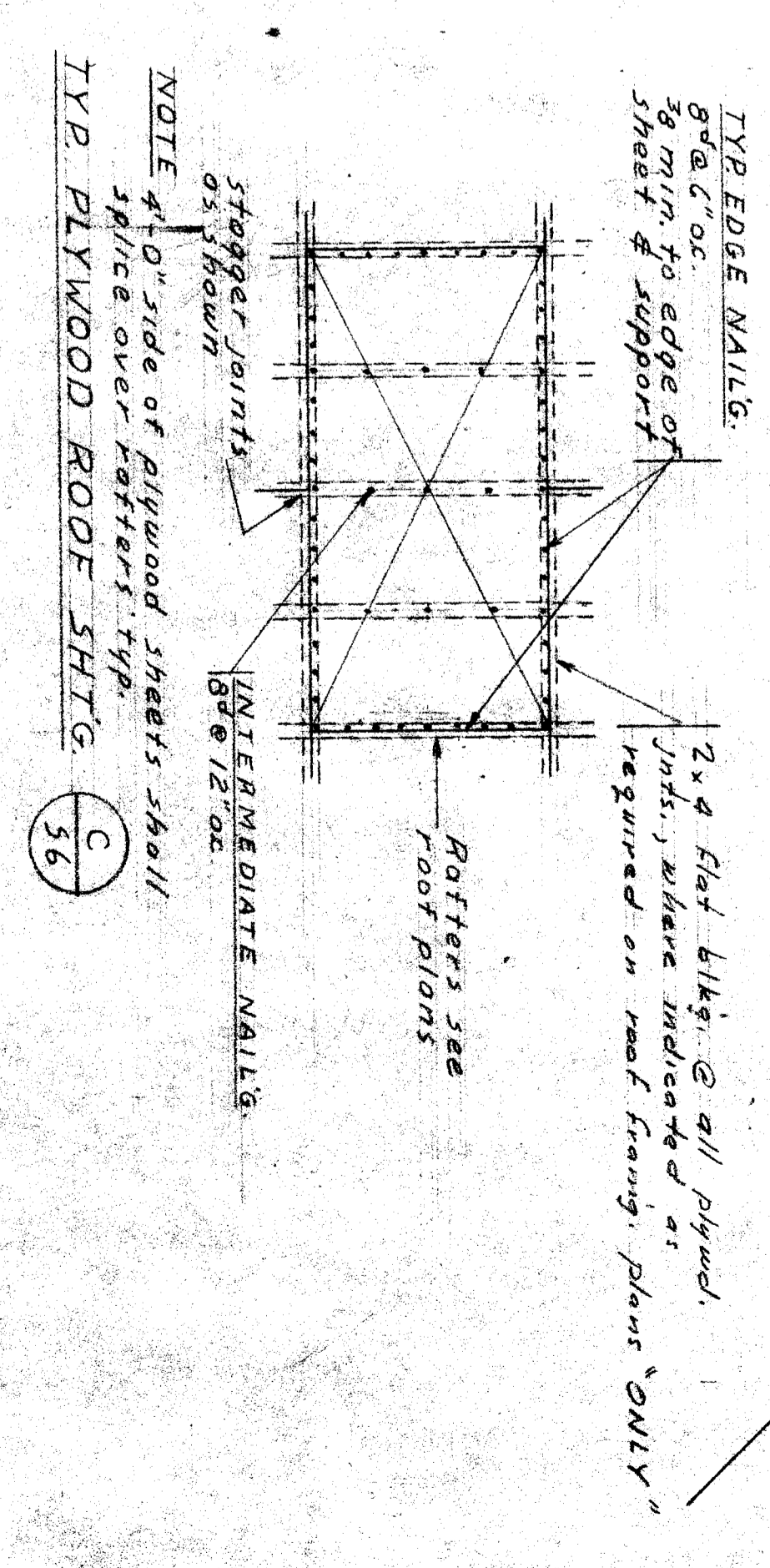
ROOF FRAMING PLAN - UNIT C
8" = 1'-0"

* See Mechanical for framing supports.



ROOF FRAMING PLAN - UNIT D
8" = 1'-0"

NOTES: Refer to architectural drawings for various roof slopes, gutters, vents, saddles, etc. & dimensions not shown.
 Δ - Indicates plywood sheathing panel. See schedule for elevation.



OFFICE OF SUPERINTENDENT OF SCHOOLS APPROVED: _____ DATE: _____	STATE OF CALIFORNIA DEPARTMENT OF PUBLIC WORKS DIVISION OF ARCHITECTURE DATE: _____	BAKERSFIELD CITY SCHOOL DISTRICT BAKERSFIELD, CALIFORNIA BOARD OF EDUCATION.	CHECK AND VERIFY ALL DIMENSIONS AND CONDITIONS AT JOB SITE BEFORE PROCEEDING WITH WORK. REPORT ANY DISCREPANCIES TO THE ARCHITECT.	DATE: _____ CHECKED BY: _____ ERNEST L. MCCOY A. I. A. ARCHITECT 3811 H STREET BAKERSFIELD	DATE: _____ CHECKED BY: _____ PICO STREET SCHOOL PICO STREET AND EDWARDS AVE. BAKERSFIELD, CALIFORNIA	SHEET NO. 56 OF 56
---	--	--	--	--	---	--------------------