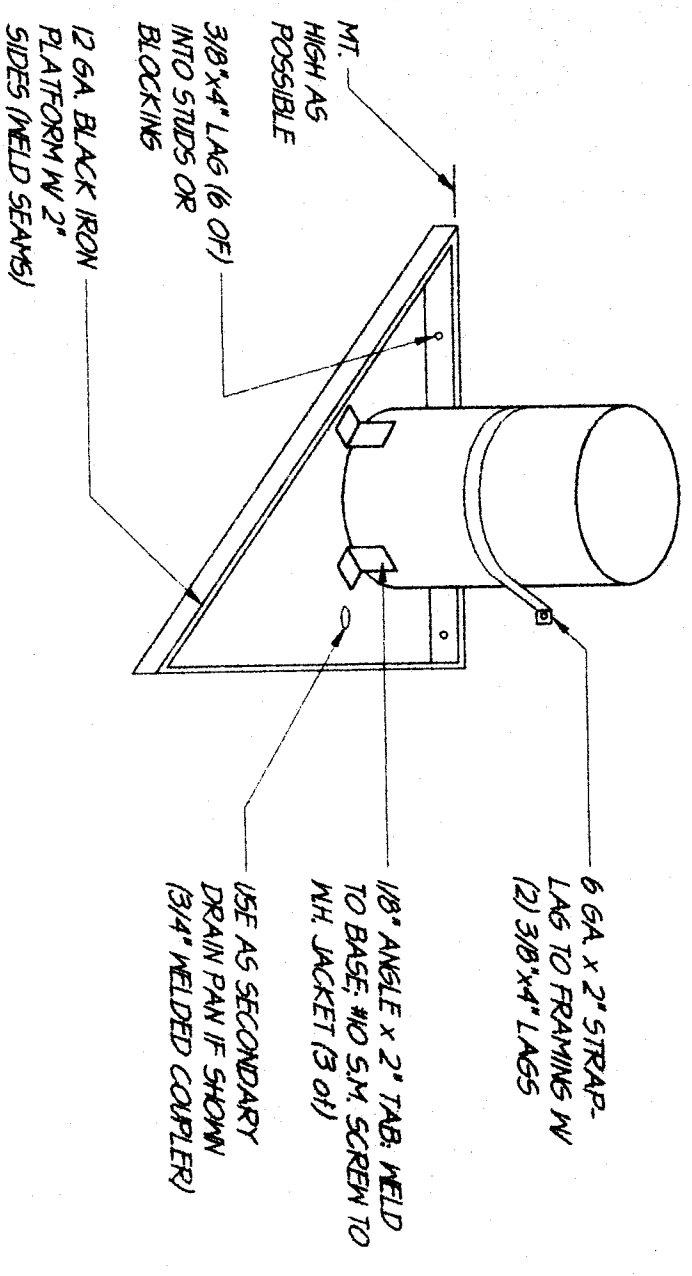
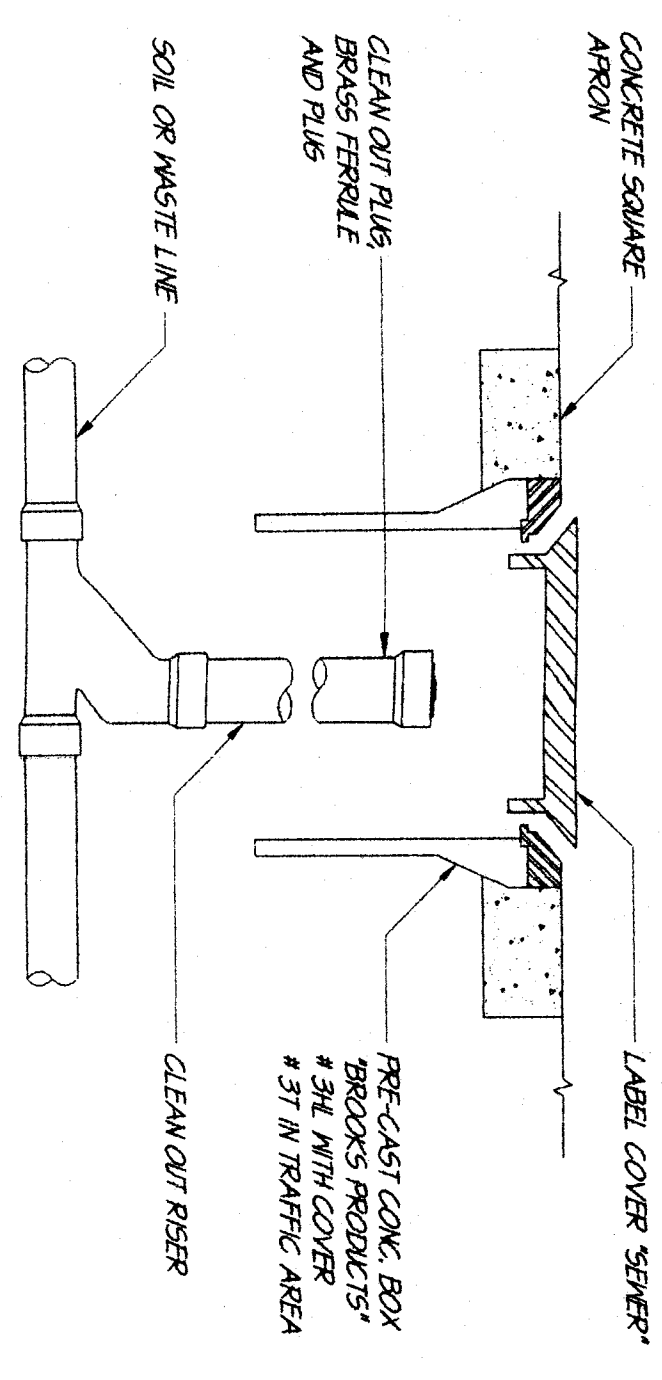


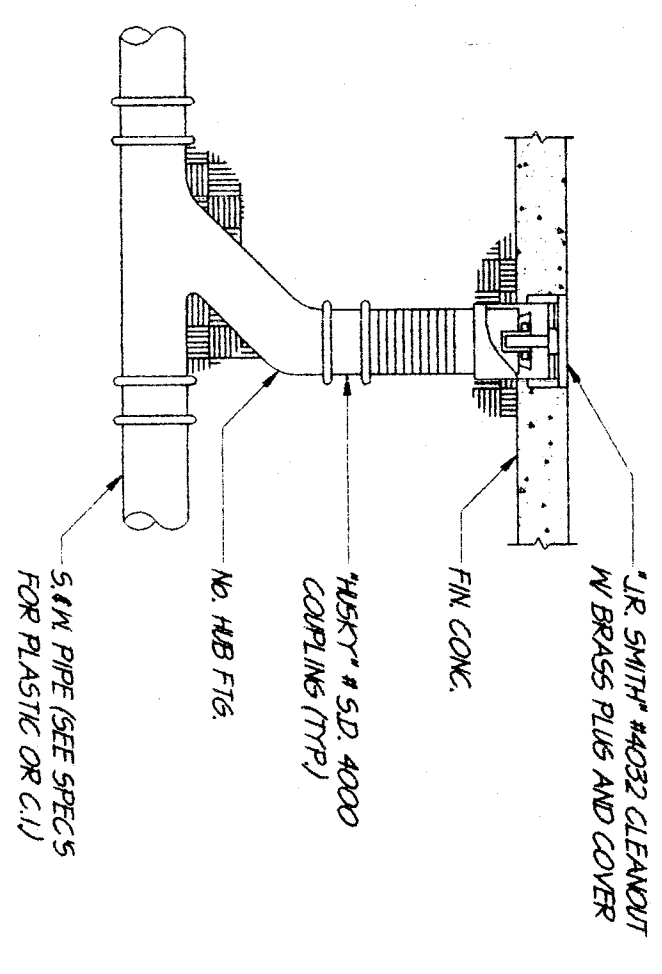
NOTE: PROX. GATE VALVES & MANS. DIELECTRIC F. COPPER PIPING IS BEING REMOVED. SEE HATCH COINS PER PLAN OR SCHEDULE.



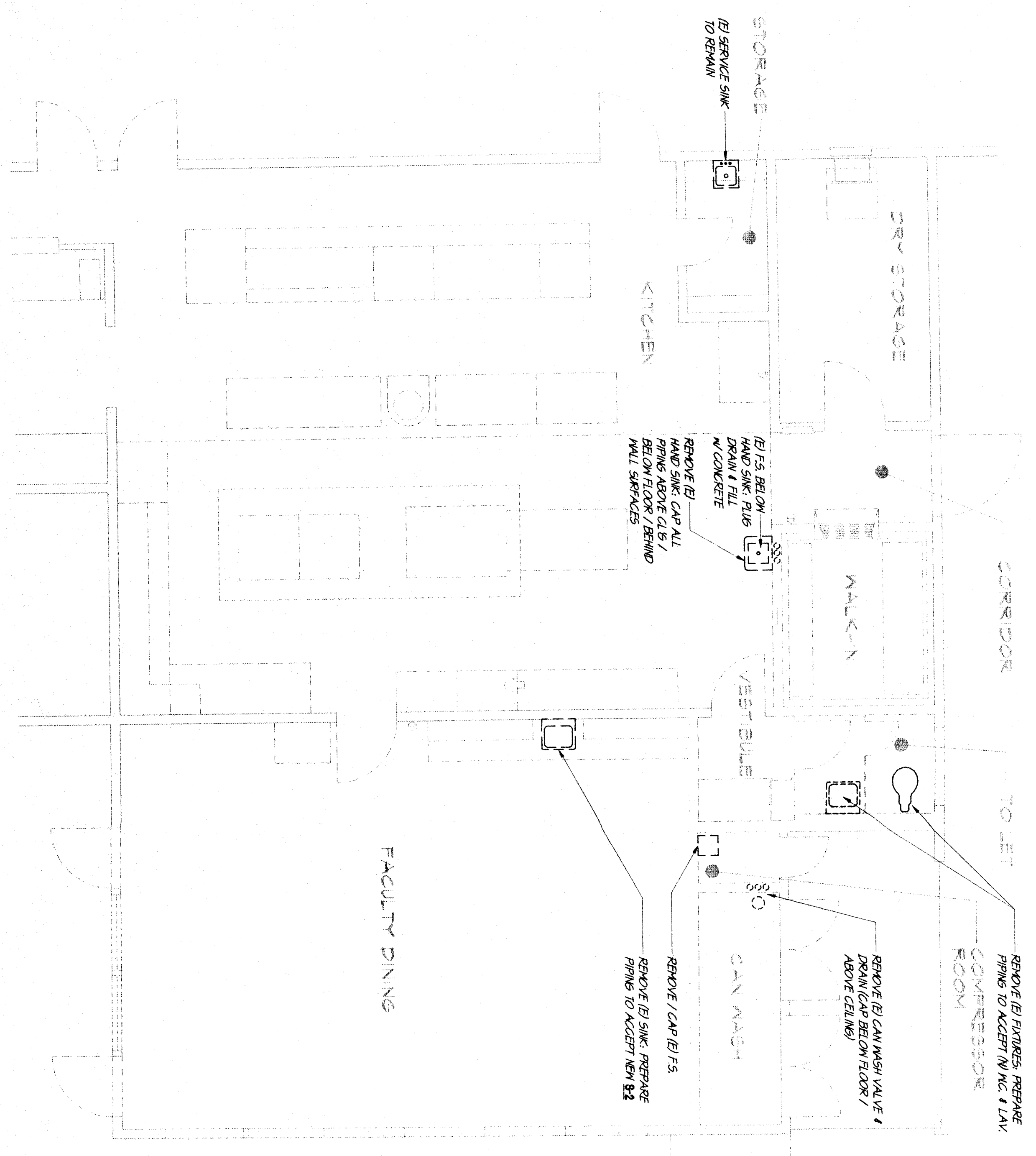
WATER HEATING MOUNTING DETAIL (A) NOT TO SCALE



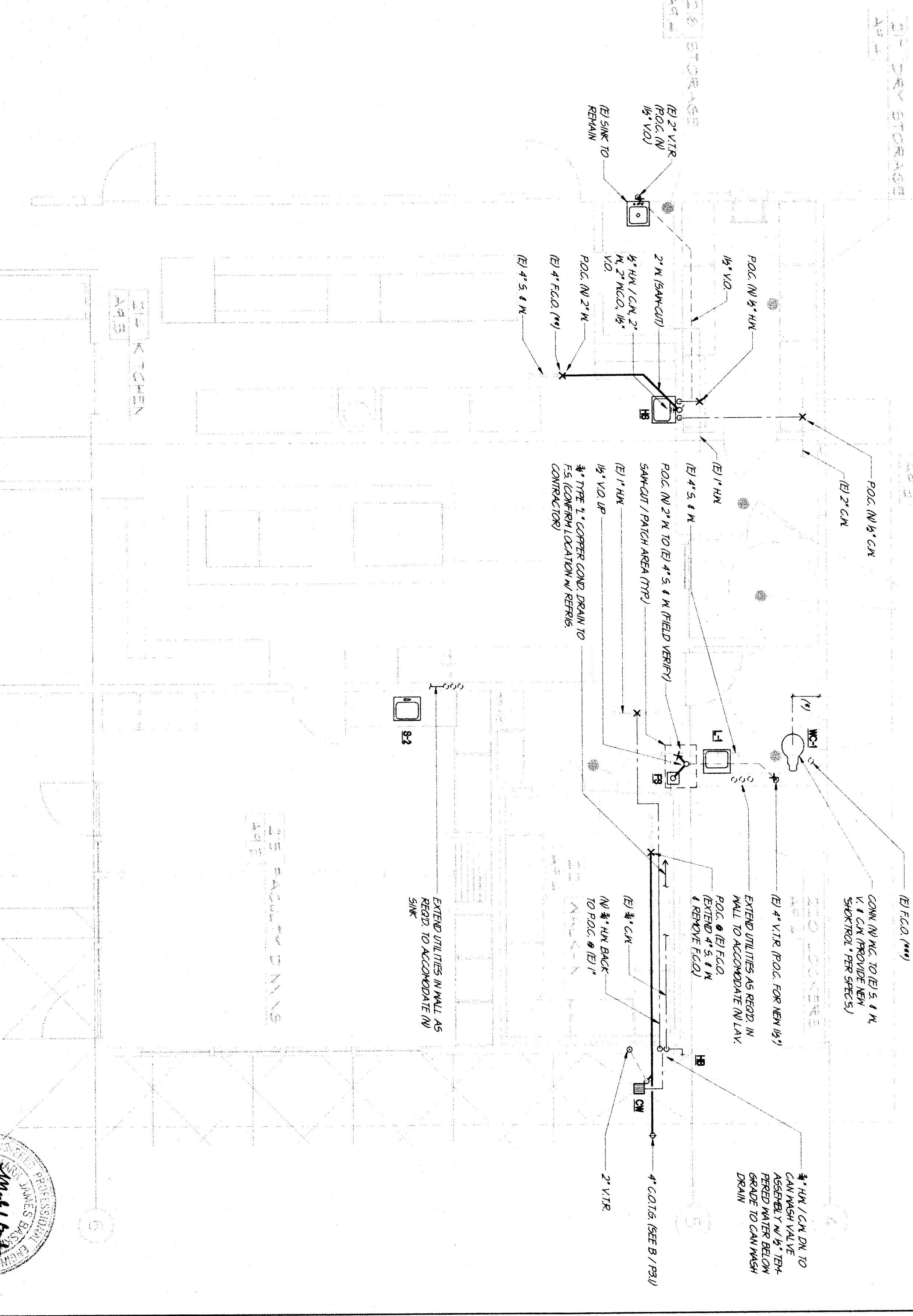
CLEANOUT TO GRADE (B) NOT TO SCALE



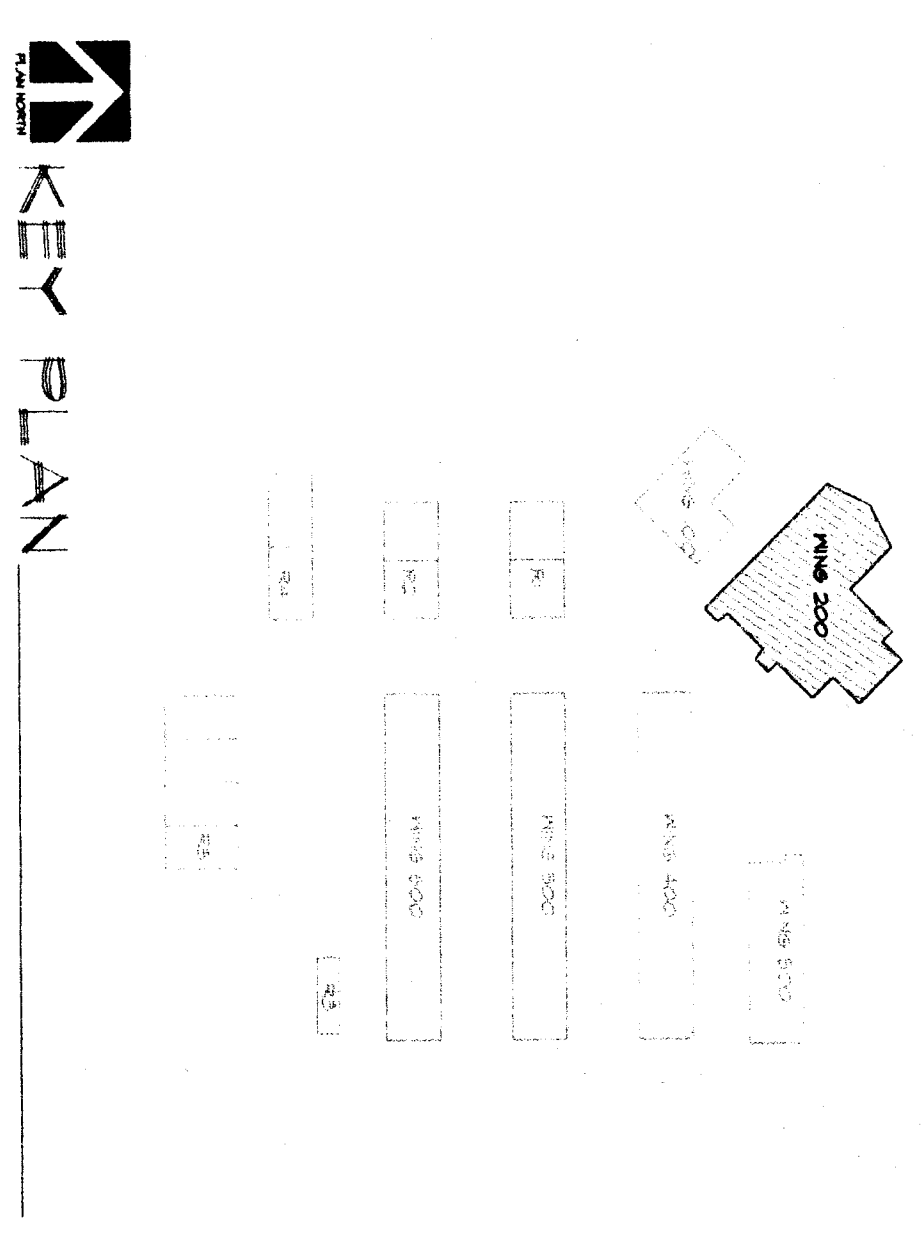
FLOOR CLEANOUT (C) NOT TO SCALE



NORTH DEMO. PLUMBING PLAN (WING-200) SCALE 1/4"=1'-0"

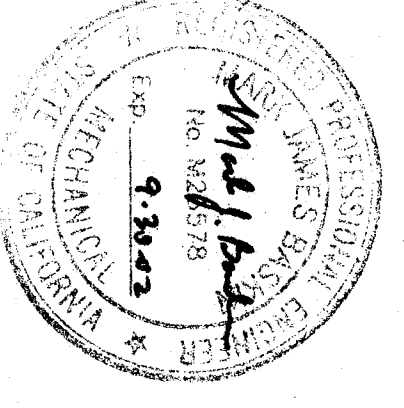


NORTH PLUMBING PLAN (WING-200) SCALE 1/4"=1'-0"



KEY PLAN

(1) 1/2" MIN. ADA CLEARANCE REQ'D. MOVE RE. HOOK FLANGE AS REQ'D.
(2) 1/2" MIN. ADA CLEARANCE REQ'D. MOVE RE. HOOK FLANGE AS REQ'D.
(3) 1/2" MIN. ADA CLEARANCE REQ'D. MOVE RE. HOOK FLANGE AS REQ'D.
(4) 1/2" MIN. ADA CLEARANCE REQ'D. MOVE RE. HOOK FLANGE AS REQ'D.



SCA
SCA Architect, Inc.
 1301 L Street
 Bakersfield, CA 93301
 (805) 337-1532

#99106
MDC
 MECHANICAL DESIGN CONCEPTS
 MECHANICAL ENGINEERING SERVICES
 1000 20th Street, Suite 200
 Bakersfield, CA 93301
 (805) 337-1532
 PLOTTED 4/21/99

REGISTRATION STAMP
 DIV. OF THE STATE ARCHITECTS
 OFFICE OF REGULATION SERVICES
 ARCH. NO. 102156
 EXP. 12-6
 DATE 4/21/99

**RUTH HARDING SCHOOL
 MODERNIZATION**
 3201 PICO ST.
 FOR
BAKERSFIELD CITY SCHOOL DISTRICT
 BAKERSFIELD, KERN COUNTY, CALIFORNIA

**WING-200
 PLUMBING
 DEMOLITION
 AND
 FLOOR PLANS**

JOB NO. 957
 DRAWN: SA
 CHECKED: SA
 DATE: 4/21/99

3.1
 3 OF 6 SHEETS