

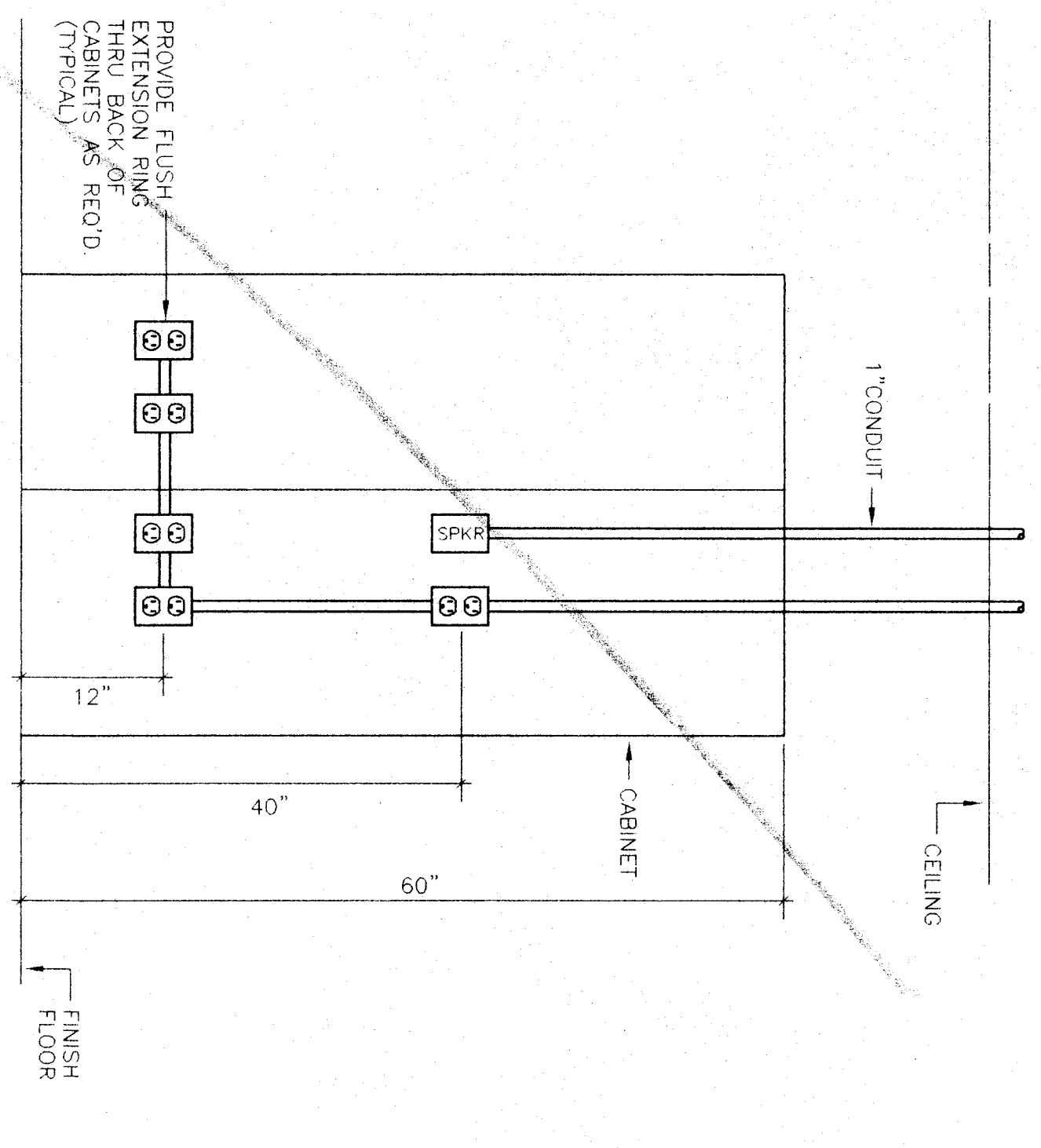
TYPE	MANUFACTURER	LAMP	MTC.	VOLTAGE	REMARKS
A	COLUMBIA #5P524	3P32	T-BAR	120V	SEE 1, 2, 3
B	COLUMBIA #5P524	3P32	T-BAR	120V	DETAILS E6.0, E6.0
C	LIHONUA #5P524	3P32	T-BAR	120V	SEE 4
D	COLUMBIA #5P524	3P32	T-BAR	120V	SEE 1, 2
E	COLUMBIA #5P524	3P32	T-BAR	120V	SEE 1, 2
F	COLUMBIA #5P524	3P32	T-BAR	120V	SEE 1, 2
G	LIHONUA #5P524	3P32	T-BAR	120V	SEE 1, 2
H	LIHONUA #5P524	3P32	T-BAR	120V	SEE 1, 2
X	LIHONUA #5P524	3P32	T-BAR	120V	SEE 1, 2

M DENOTES EMERGENCY LIGHT FIXTURE, RUN UNSWITCH CIRCUIT.

FIXTURE SCHEDULE

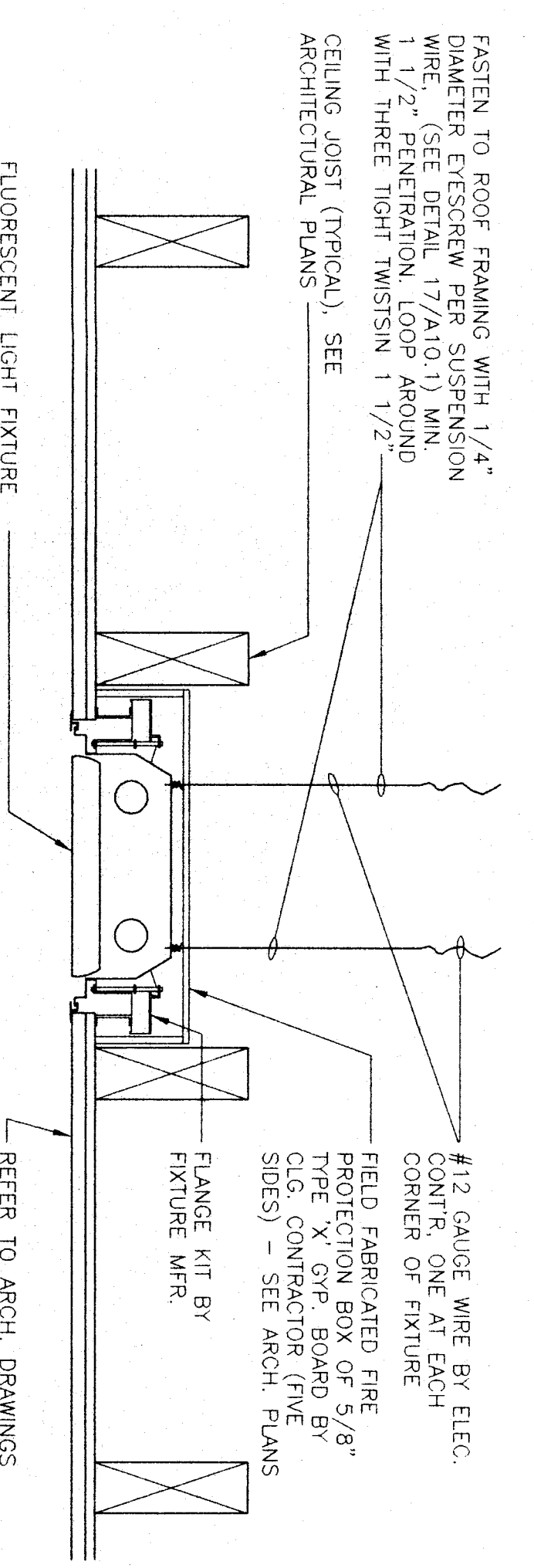
FIXTURE NOTES:

- ALL 32W FLUORESCENT BALLASTS TO BE MOTOROLA, GE OR MORGATEX REDUCED HARMONIC ELECTRONIC OR EQUAL.
- ALL FLUORESCENT LAMPS TO BE SIYUANA 3500K DESIGNER 800 SERIES OR GE SPX SERIES, WITH CONFIGURATIONS AND WATTAGES AS SHOWN ON FIXTURE SCHEDULE.
- ALL METAL HALIDE LAMPS TO BE PHOSPHOR COATED 3K SIYUANA (SUPER METALCO) OR EQUAL, WITH CONFIGURATIONS AND WATTAGES AS SHOWN ON FIXTURE SCHEDULE.
- ALL CLEAR ACRYLIC PRISMATIC LENSES TO BE MINIMUM 1/2" BATTERY KIT AS MANUFACTURED BY KSH TRIPOSPHOR LAMPS.
- ALL PARABOLIC LOUVERS SHALL BE ALUMINUM SEMI-SPECULAR LOW REFLECTANCE FOR USE WITH HOLDERS AND FUSES.
- ALL HID BALLAST SHALL BE HIGH POWER FACTOR AND BE EQUIPPED WITH FACTORY INSTALLED FUSE-HOLDERS AND FUSES.
- FIXTURE SUBMITTALS SHALL INCLUDE ALL MOUNTING INSTRUCTIONS, COMPLETE PHOTOGRAPHICS AND FIXTURE CONSTRUCTION DETAILS AND SHALL BE CAREFULLY REVIEWED BY THE ELECTRICAL CONTRACTOR PRIOR TO SUBMITTING.
- ELECTRICAL CONTRACTOR TO PROVIDE COMPLETE LAMP SUBMITTALS INCLUDING COLOR TEMPERATURES, LAMP LIFE AND LUMEN OUTPUT.
- REFER TO SPECIFICATIONS SECTION 16500 FOR ADDITIONAL REQUIREMENTS.



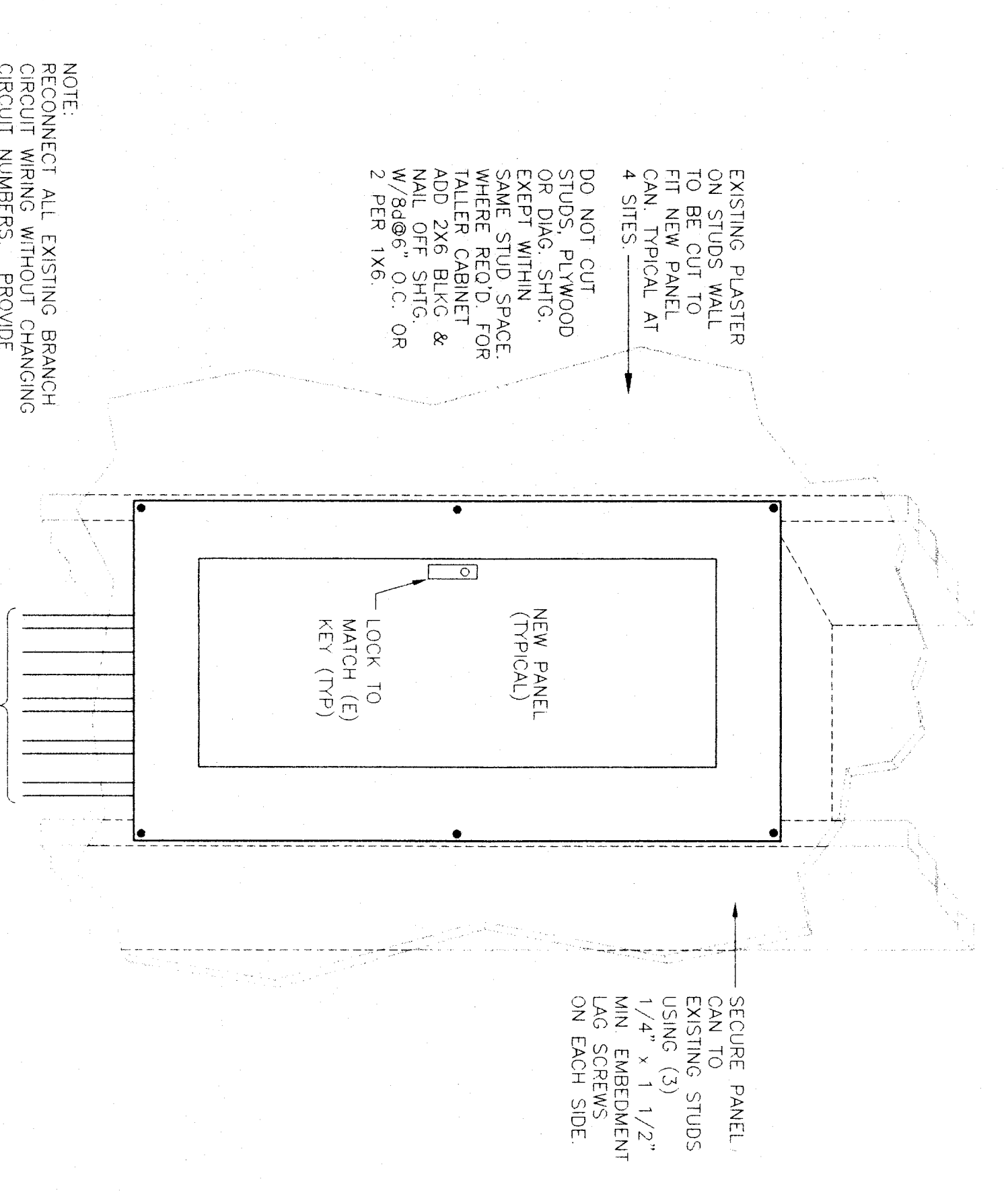
CABINET POWER & SPEAKER OUTLETS MOUNTING DETAIL

NO SCALE
E6.0



RECESSED FIXTURE MOUNTING DETAIL

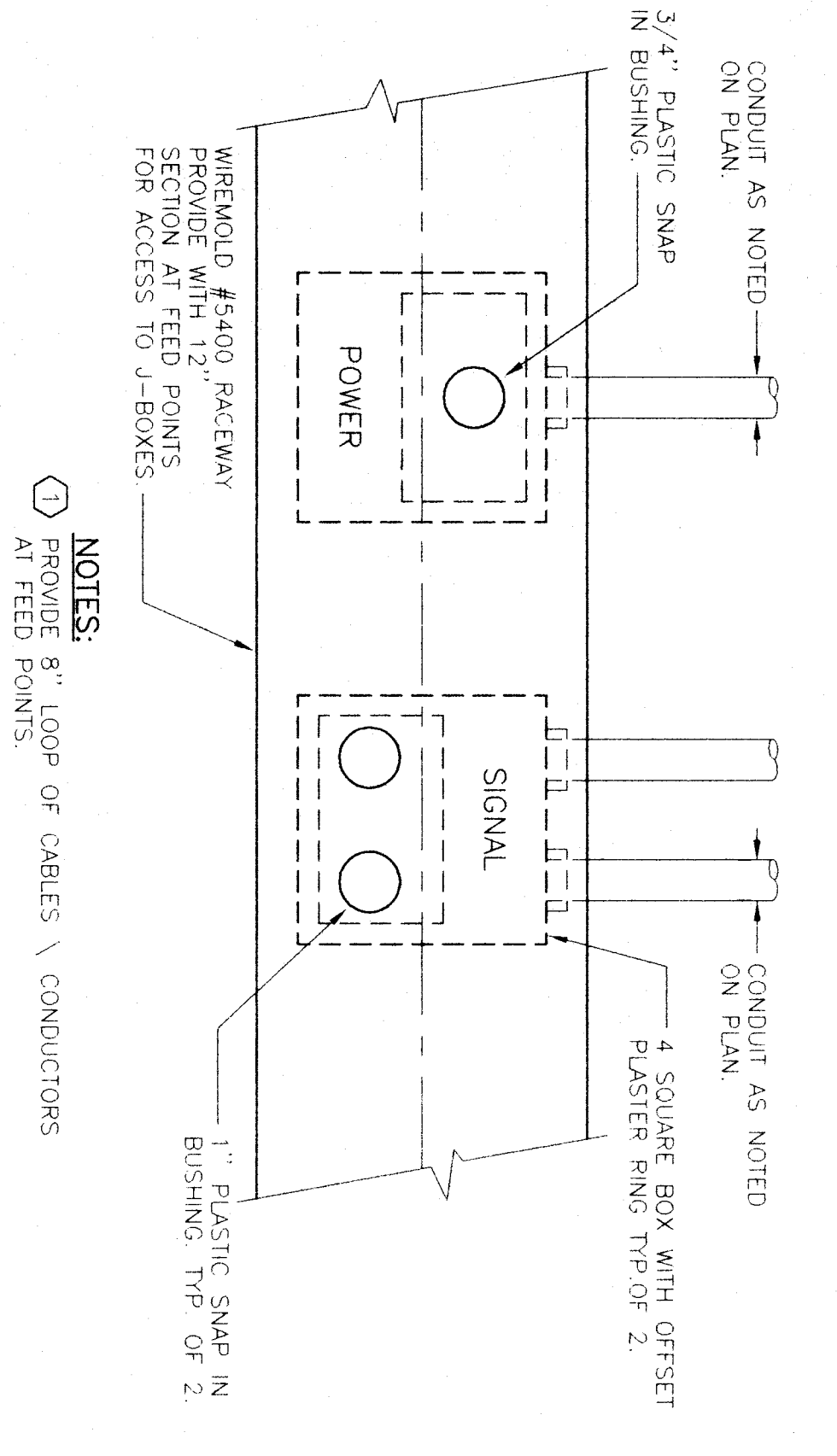
NO SCALE
E6.0



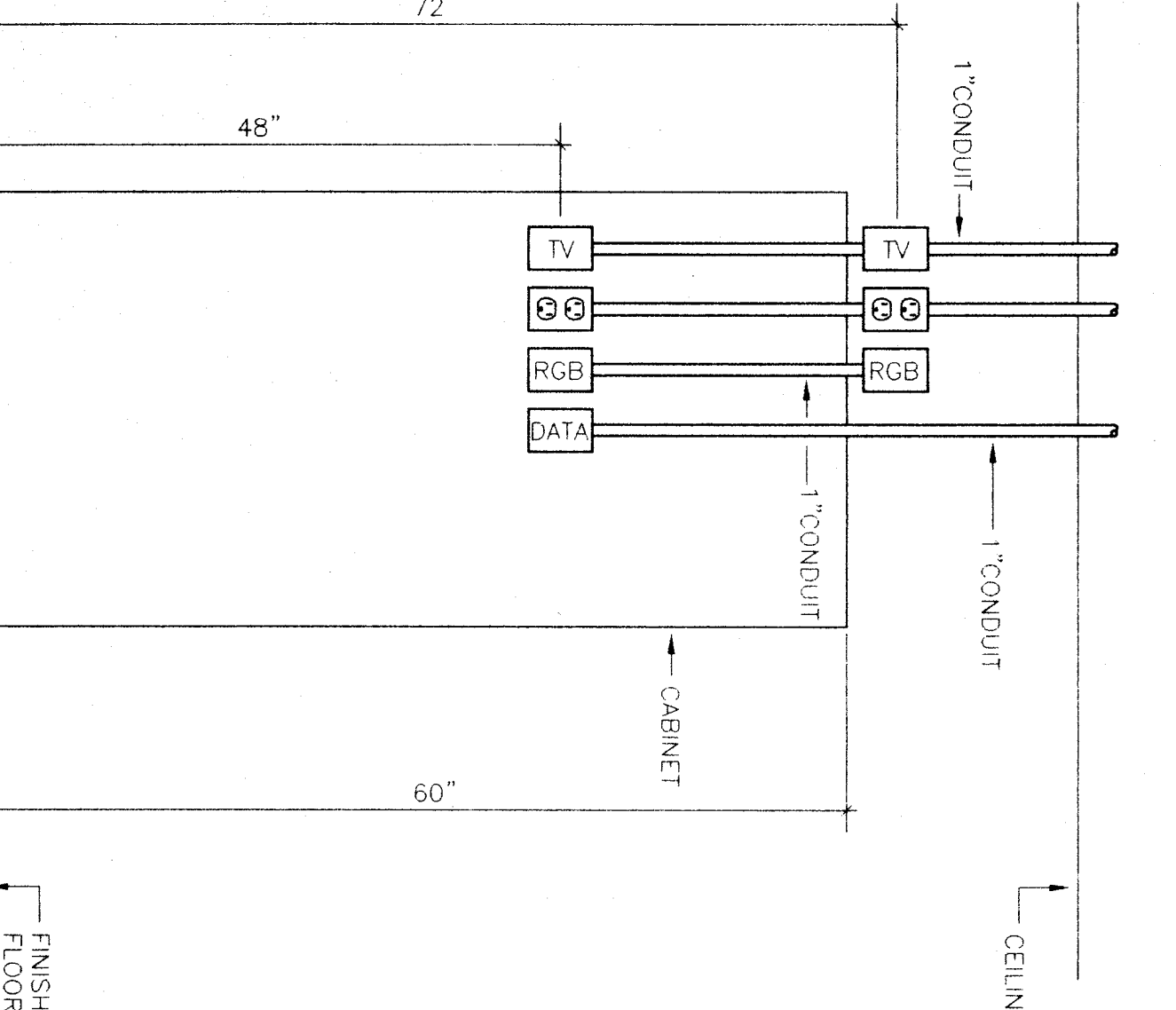
PANEL MOUNTING DETAIL

NO SCALE
E6.0

TYPICAL CLASSROOM RACEMAY LAYOUT CONCEALED CONDUIT ENTRANCE

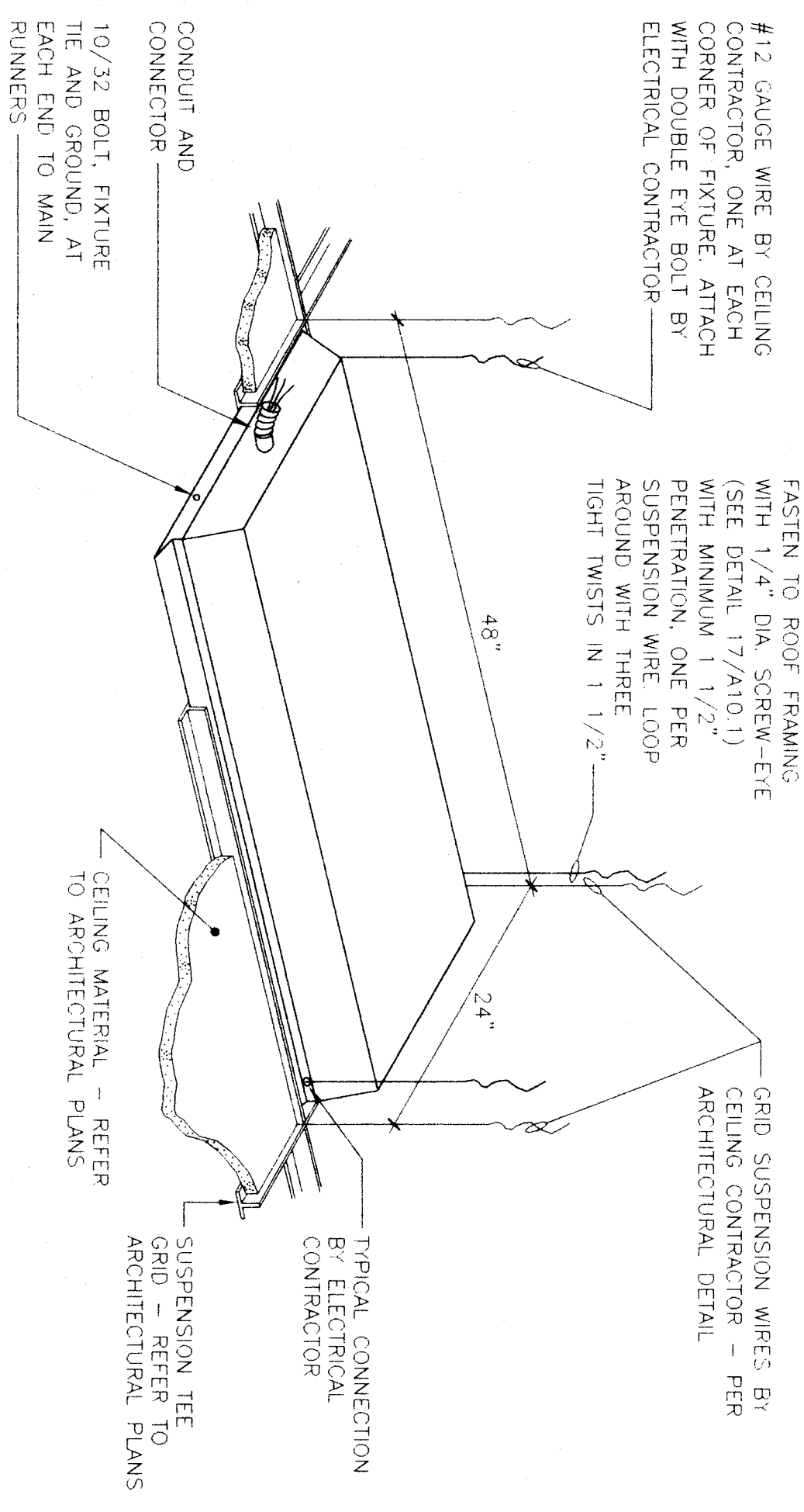


NO SCALE
E6.0



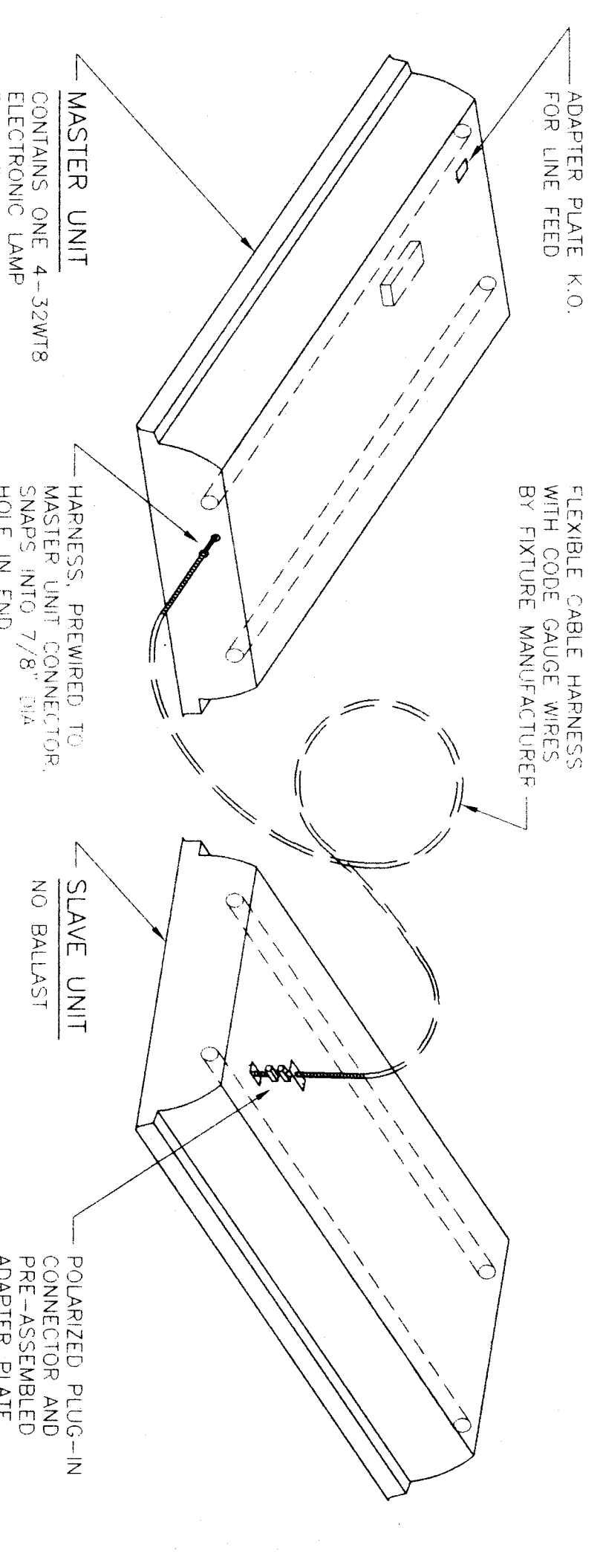
CABINET TV & POWER OUTLETS MOUNTING DETAIL

NO SCALE
E6.0



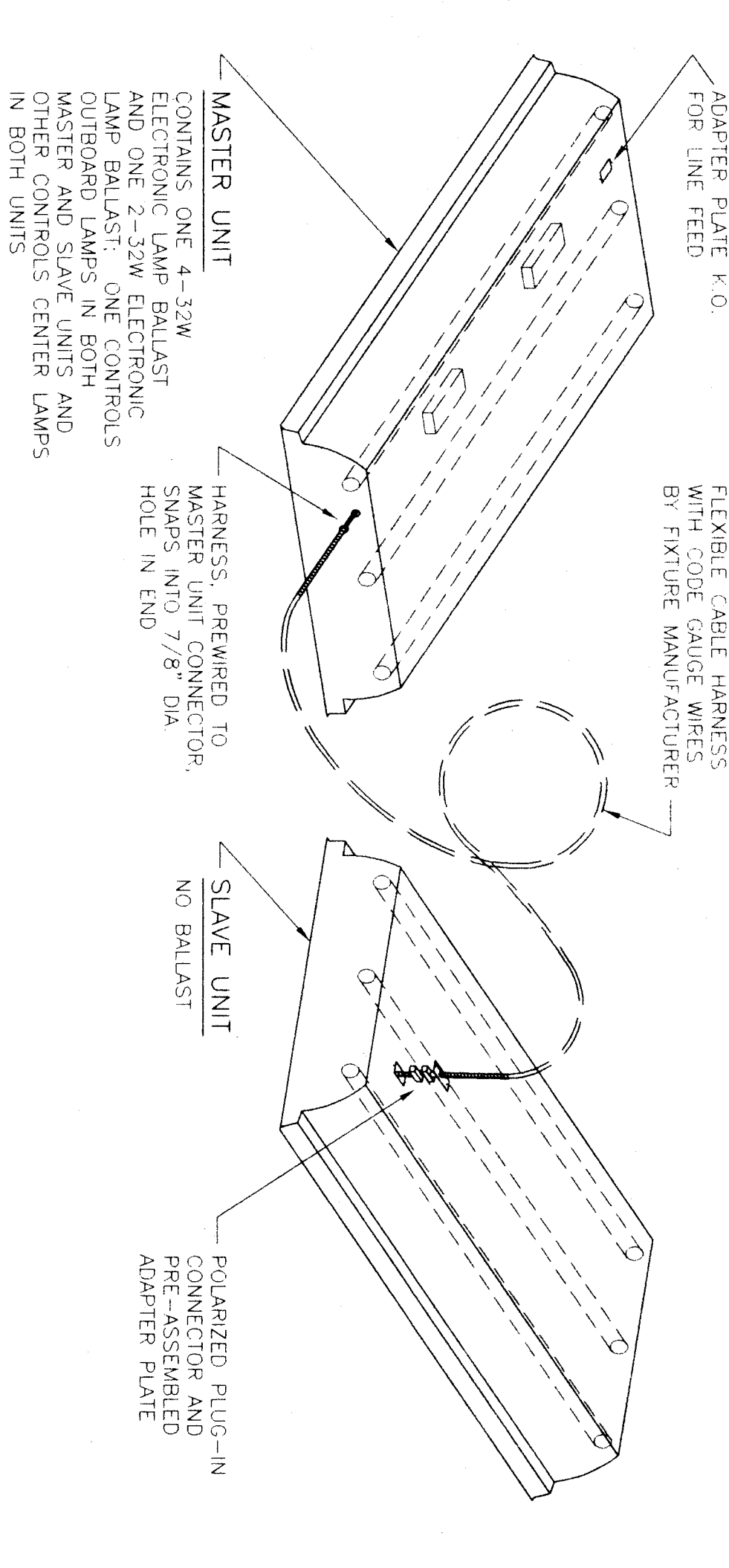
RECESSED FIXTURE MOUNTING DETAIL

NO SCALE
E6.0



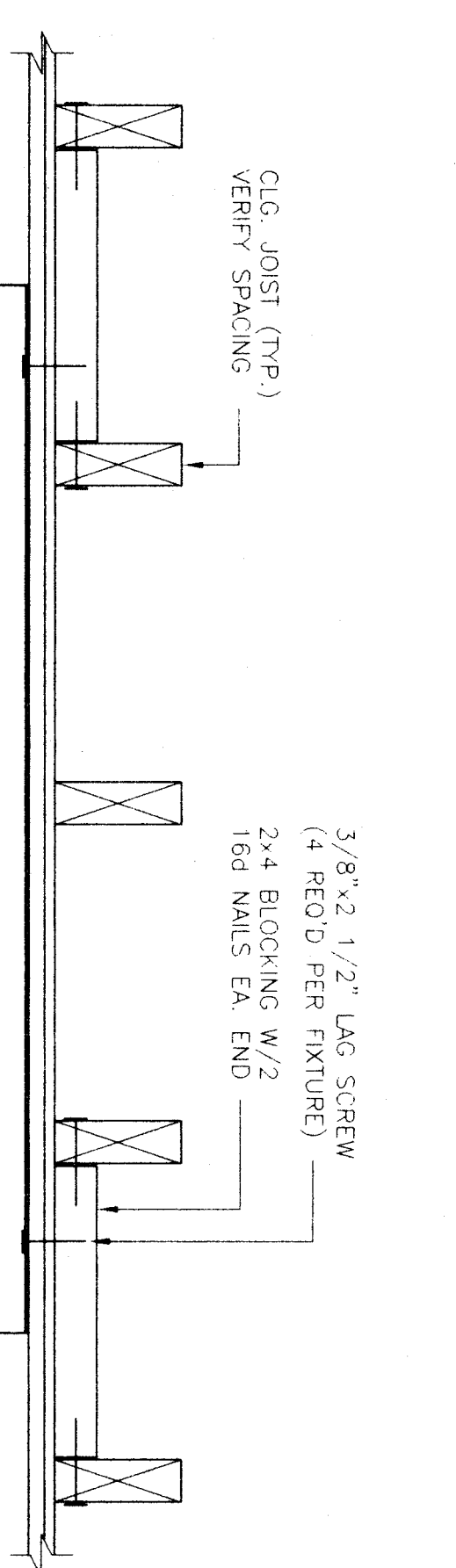
MASTER/SLAVE LIGHTING TANDEM WIRING

NO SCALE
E6.0



MASTER/SLAVE LIGHTING TANDEM WIRING

NO SCALE
E6.0



SURFACE FIXTURE MOUNTING DETAIL

NO SCALE
E6.0

SCANPAINTING
 1001 E. STREET
 BAKERSFIELD, CA 93301
 (805) 837-0082

REGISTERED PROFESSIONAL ELECTRICAL ENGINEER
 JAMES W. GEORGE, Electrical Engineer
 EE #9101
 444 W. CALHOUN ST. #204
 BAKERSFIELD, CA 93311
 (805) 432-4400 / (805) 432-4414 FAX

RUTH HARDING SCHOOL MODERNIZATION
 3201 PICO ST.
 FOR
BAKERSFIELD CITY SCHOOL DISTRICT
 BAKERSFIELD, KERN COUNTY, CALIFORNIA

LIGHTING FIXTURE SCHEDULE AND DETAILS

ITEM NO.	QUANTITY	DESCRIPTION
957	1	32W T8 FLUORESCENT LIGHT FIXTURE

957
 6.0
 1407 14 STUDIES