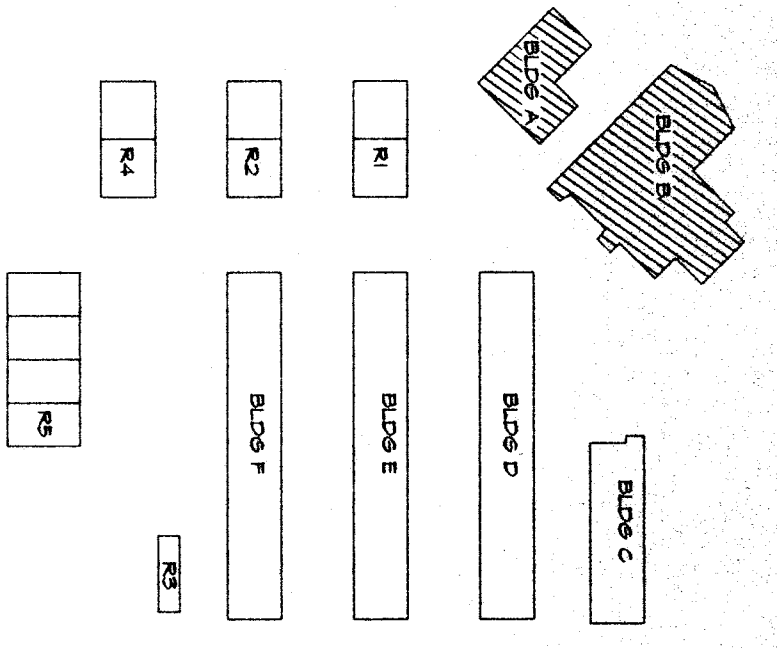


KEY PLAN

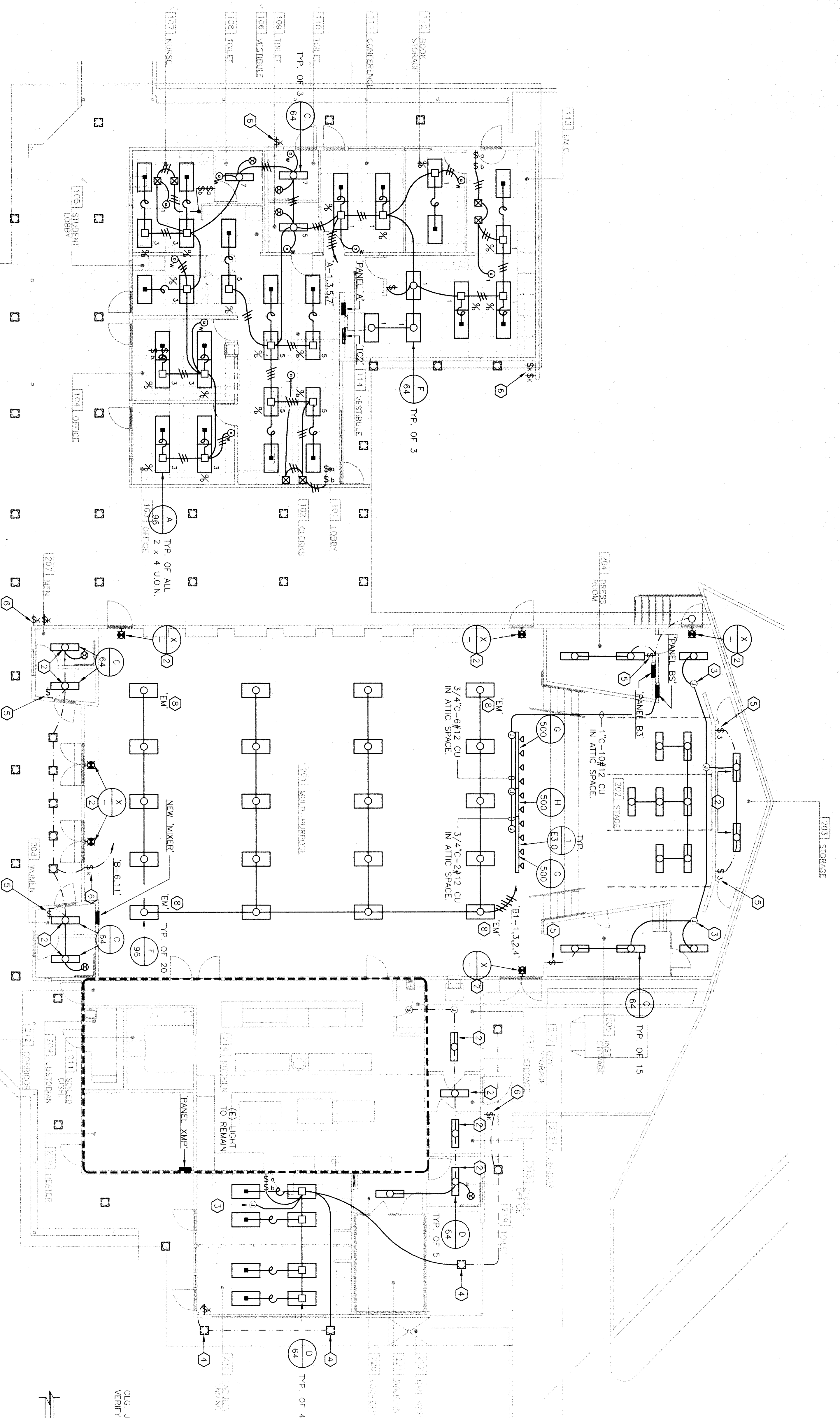


REFERENCE NOTES

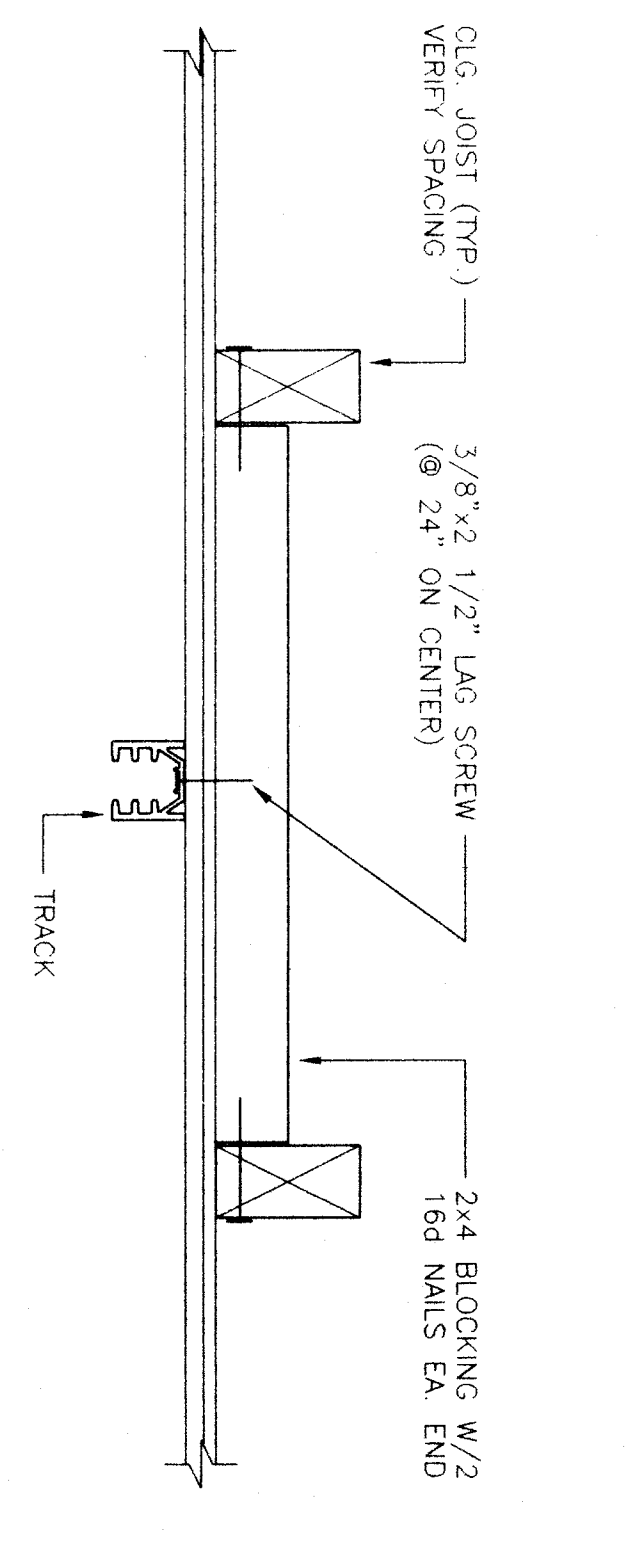
- 1 - EXISTING EXTERIOR LIGHT FIXTURES TO REMAIN.
- 2 - INSTALL NEW FIXTURE OVER (E) LOCATION REUSE (E) MOUNTS.
- 3 - INTERCEPT & EXTEND (E) LIGHTING CIRCUIT AND SWITCH LEGS AS REQUIRED.
- 4 - EXISTING FIXTURE TO REMAIN, RECONNECT TO NEW CIRCUIT AS REQUIRED.
- 5 - REPLACE EXISTING SWITCH AND RECONNECT AS REQUIRED.
- 6 - REPLACE EXISTING KEY SWITCH WITH NEW KEY SWITCH AND FACE PLATE WITH TAMPER PROOF SCREWS AND RECONNECT AS REQUIRED.
- 7 - TRACK FIXTURES SHALL BE EQUIPPED W/FIVE (5)500 PAR56/ANSF LAMPS AND FIVE (5)500 PAR56/ANSF LAMP PROVIDE ONE ADDITIONAL LAMP FA AS SPARE.
- 8 - EM DENOTES EMERGENCY LIGHT FIXTURES FOR EMERGENCY LIGHT CIRCUITS.

GENERAL NOTE:

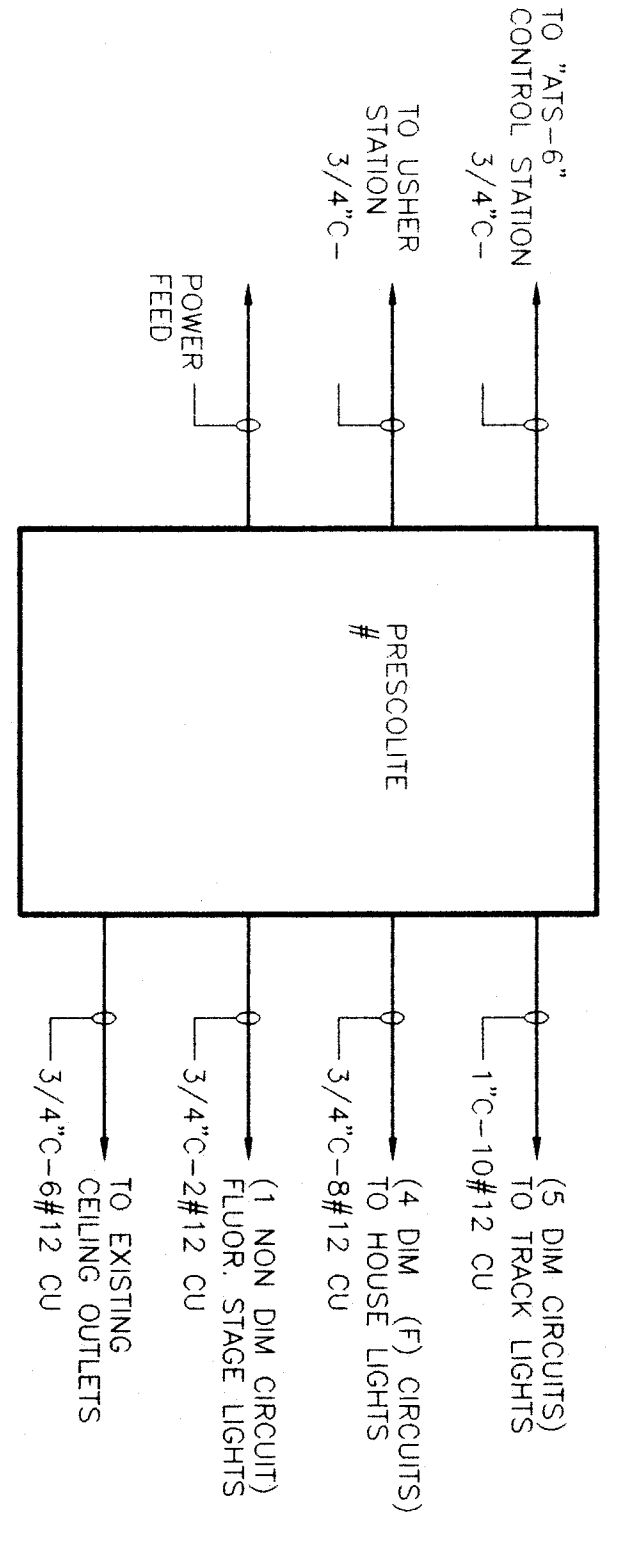
- 1 - PROVIDE BLOCKING BEHIND ALL NEW SURFACE MOUNTED FIXTURES PER DETAIL V/E3.0.



SURFACE FIXTURE MOUNTING DETAIL



MULTI-PURPOSE LIGHTING CONTROL DIAGRAM



43. Refer to Electrical Drawing E3.0, Buildings 'A', and 'B' Lighting Plans:
 a. REVISE
 4/10 #1
 Provide lighting and controls along with the required wiring in room #105 work outside these rooms has been removed from this project.

4. Refer to Electrical Drawing E3.0, Buildings 'A', and 'B' Lighting Plans:
 a. REVISE
 4/10 #3
 Fixtures in rooms 218, 219 and 220 shall be type 'C' in lieu of 'D' as indicated.

BUILDING 'A' AND BUILDING 'B' LIGHTING PLAN

SCALE: 1/8" = 1'-0"

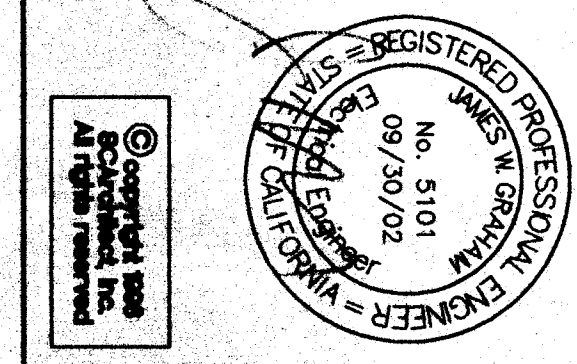
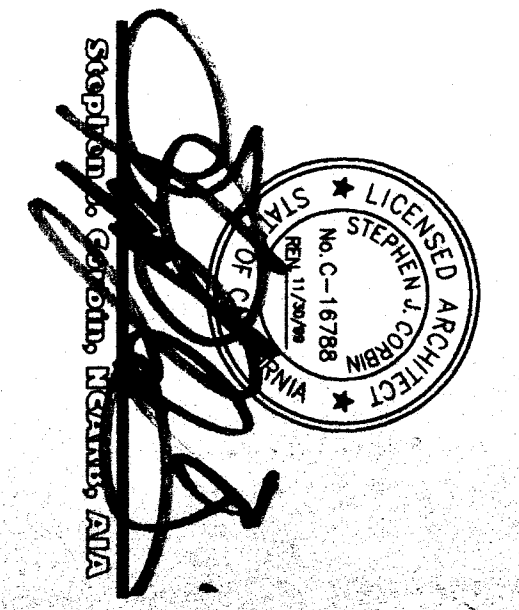
DATE	REVISIONS

BLDG. 'A' & 'B' LIGHTING PLAN

RUTH HARDING SCHOOL MODERNIZATION
 3201 PICO ST.
 FOR
BAKERSFIELD CITY SCHOOL DISTRICT
 BAKERSFIELD, KERN COUNTY, CALIFORNIA

REGISTRATION STATE: CALIFORNIA
 DIV. OF THE STATE ARCHITECTS
 ARCH. NO. 65-102154
 EXPIRES: 12-31-2011
 FILE: 15-6
 DATE: 11/17/09

James W. Gordon, Electrical Engineer
 E.E. #5101
 444 W. BAKER AVE. SUITE 100
 BAKERSFIELD, CALIFORNIA 93311
 (805) 837-0080 / (805) 452-4494 fax



967
 3.0
 6 OF 14 SHEETS