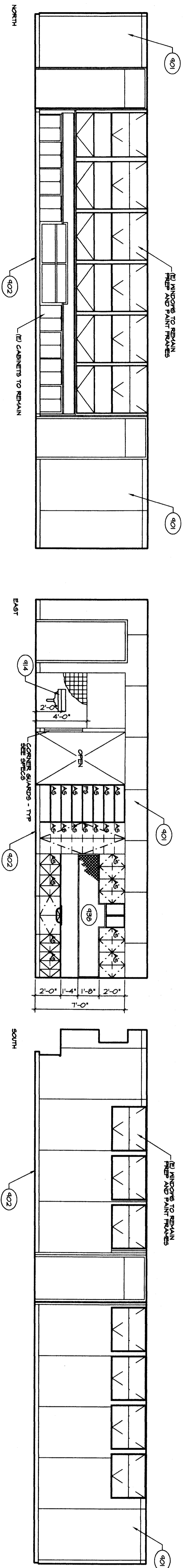
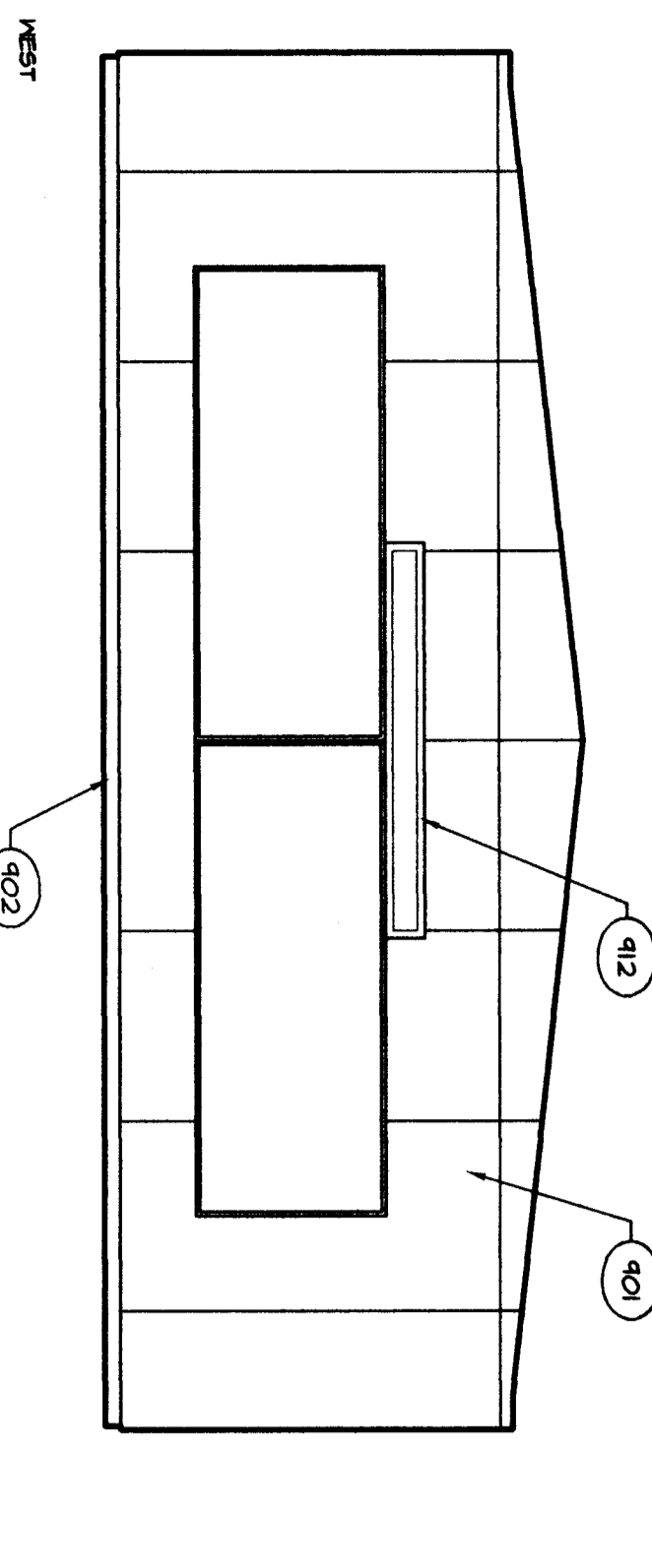


KEYNOTES

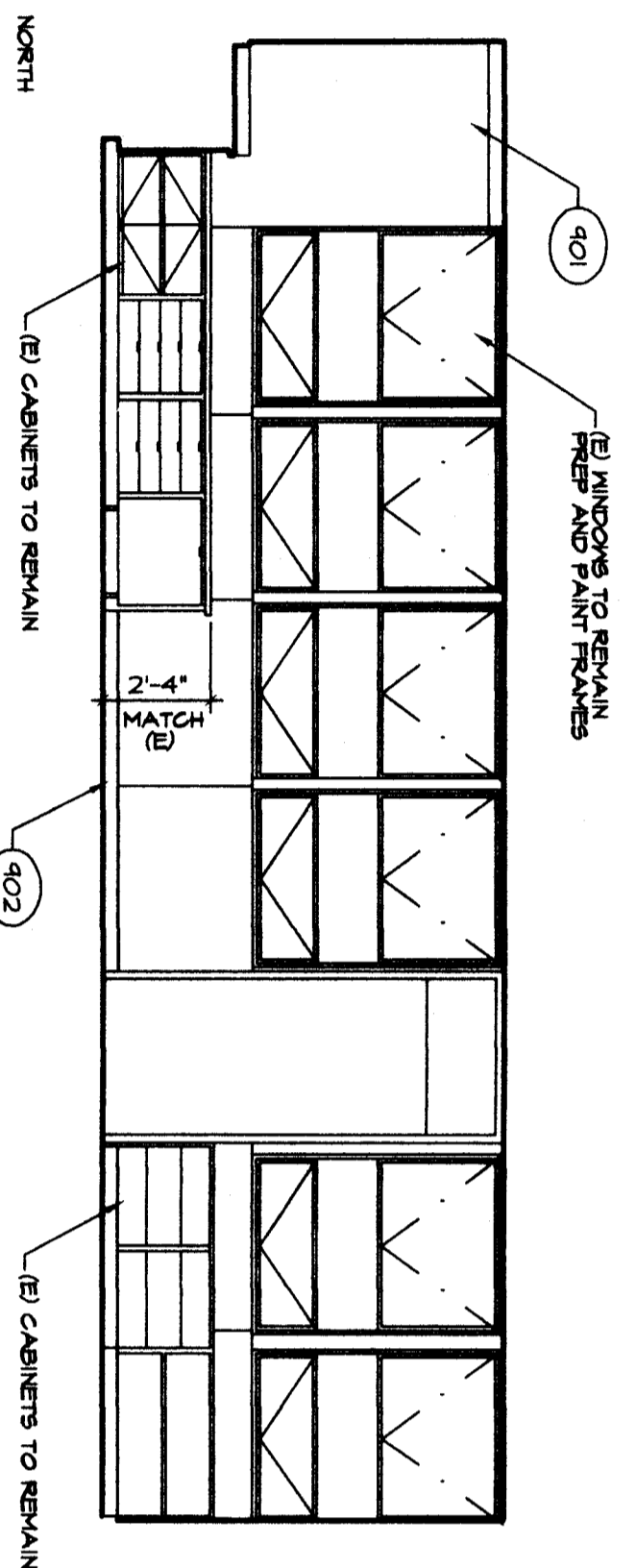
- (401) WALL FIN - SEE RM FIN SCH
- (402) BASE - SEE RM FIN SCH
- (403) CABINET - SEE (A) (A) (A)
- (404) FRONT RESIN TOP EDGES, GRAY, AND RETURN
- (405) RAIL TOP EDGES, FLASH, RESISTANT FIN & LOCATIONS OF FRONT CORNERS
- (406) GRANITE, ALL EDGES
- (407) ALUMINUM STOREROOM WINDOW SYSTEM PER WINDOW SCH
- (408) CLOCK, 8'-0" TO CENTER - SEE ELEC DWGS - 448, 404T
- (409) AT W/REAR WALL - 448, 404T
- (410) TACK BOARD - 444, 404T
- (411) PERIODICAL BACK
- (412) PROJECTION SCREEN (A) (A) (A)
- (413) FINISHED END PANEL TO MATCH CABINET FACES
- (414) SINK - SEE PLUMBING DWGS
- (415) SEE SPACE REQUIREMENTS (A) (A) (A)
- (416) NOT USED
- (417) RANGE/GRAVEY PER SPEC'S, GAS OR ELEC, AS NOTED ON PLANS
- (418) DRYWALLER - PER SPEC'S
- (419) MICROWAVE/OVEN FAN - PER SPEC'S
- (420) EXH FAN - PER SPEC'S
- (421) SHAMPOO DISPOSAL - PER SPEC'S
- (422) TEMPERED GLASS DOOR
- (423) DOOR LOCK
- (424) DOOR AND DRAWER LOCK
- (425) INSTRUCTIONS CLOSET IN 5' x 4' AT RIGHT SIDE
- (426) FILE DRAWERS TO FILE FOLIO/LEAFER BLOCKING IN WALL FOR HOLDON METAL WINDOW
- (427) BLOCKING IN WALL FOR TOILET PAPER DISP - N/A (A) (A) (A)
- (428) TOILET + SEGS - SEE ALSO (A) (A) (A)
- (429) MECH DWGS
- (430) SEAT BAR - 48" AT BACK (A) (A) (A)
- (431) SIDE AND 36" AT BACK (A) (A) (A)
- (432) FEMINE WASHIN DISPOSAL (A) (A) (A)
- (433) FEMINE WASHIN DISPENSER (A) (A) (A)
- (434) PAPER TOWEL DISP (A) (A) (A)
- (435) LAVATORY + SEGS - (A) (A) (A)
- (436) SEE ALSO MECH DWGS (A) (A) (A)
- (437) HANDBK (A) (A) (A)
- (438) SOAP DISPENSER (A) (A) (A)
- (439) SEAT COVER DISPENSER (A) (A) (A)
- (440) TACK BOARD - 44, 404T
- (441) BACKING IN WALL FOR PAPER TOWEL DISPENSER (A) (A) (A)
- (442) SEATING PARTITION, SEGS (A) (A) (A)
- (443) SEATING PARTITION, SEGS (A) (A) (A)
- (444) SEATING PARTITION, SEGS (A) (A) (A)
- (445) SEATING PARTITION, SEGS (A) (A) (A)
- (446) SEATING PARTITION, SEGS (A) (A) (A)
- (447) SEATING PARTITION, SEGS (A) (A) (A)
- (448) SEATING PARTITION, SEGS (A) (A) (A)
- (449) SEATING PARTITION, SEGS (A) (A) (A)
- (450) SEATING PARTITION, SEGS (A) (A) (A)
- (451) SEATING PARTITION, SEGS (A) (A) (A)
- (452) SEATING PARTITION, SEGS (A) (A) (A)
- (453) SEATING PARTITION, SEGS (A) (A) (A)
- (454) SEATING PARTITION, SEGS (A) (A) (A)
- (455) SEATING PARTITION, SEGS (A) (A) (A)
- (456) SEATING PARTITION, SEGS (A) (A) (A)
- (457) SEATING PARTITION, SEGS (A) (A) (A)
- (458) SEATING PARTITION, SEGS (A) (A) (A)
- (459) SEATING PARTITION, SEGS (A) (A) (A)
- (460) SEATING PARTITION, SEGS (A) (A) (A)
- (461) SEATING PARTITION, SEGS (A) (A) (A)
- (462) SEATING PARTITION, SEGS (A) (A) (A)
- (463) SEATING PARTITION, SEGS (A) (A) (A)
- (464) SEATING PARTITION, SEGS (A) (A) (A)
- (465) SEATING PARTITION, SEGS (A) (A) (A)
- (466) SEATING PARTITION, SEGS (A) (A) (A)
- (467) SEATING PARTITION, SEGS (A) (A) (A)
- (468) SEATING PARTITION, SEGS (A) (A) (A)
- (469) SEATING PARTITION, SEGS (A) (A) (A)
- (470) SEATING PARTITION, SEGS (A) (A) (A)
- (471) SEATING PARTITION, SEGS (A) (A) (A)
- (472) SEATING PARTITION, SEGS (A) (A) (A)
- (473) SEATING PARTITION, SEGS (A) (A) (A)
- (474) SEATING PARTITION, SEGS (A) (A) (A)
- (475) SEATING PARTITION, SEGS (A) (A) (A)
- (476) SEATING PARTITION, SEGS (A) (A) (A)
- (477) SEATING PARTITION, SEGS (A) (A) (A)
- (478) SEATING PARTITION, SEGS (A) (A) (A)
- (479) SEATING PARTITION, SEGS (A) (A) (A)
- (480) SEATING PARTITION, SEGS (A) (A) (A)
- (481) SEATING PARTITION, SEGS (A) (A) (A)
- (482) SEATING PARTITION, SEGS (A) (A) (A)
- (483) SEATING PARTITION, SEGS (A) (A) (A)
- (484) SEATING PARTITION, SEGS (A) (A) (A)
- (485) SEATING PARTITION, SEGS (A) (A) (A)
- (486) SEATING PARTITION, SEGS (A) (A) (A)
- (487) SEATING PARTITION, SEGS (A) (A) (A)
- (488) SEATING PARTITION, SEGS (A) (A) (A)
- (489) SEATING PARTITION, SEGS (A) (A) (A)
- (490) SEATING PARTITION, SEGS (A) (A) (A)
- (491) SEATING PARTITION, SEGS (A) (A) (A)
- (492) SEATING PARTITION, SEGS (A) (A) (A)
- (493) SEATING PARTITION, SEGS (A) (A) (A)
- (494) SEATING PARTITION, SEGS (A) (A) (A)
- (495) SEATING PARTITION, SEGS (A) (A) (A)
- (496) SEATING PARTITION, SEGS (A) (A) (A)
- (497) SEATING PARTITION, SEGS (A) (A) (A)
- (498) SEATING PARTITION, SEGS (A) (A) (A)
- (499) SEATING PARTITION, SEGS (A) (A) (A)
- (500) SEATING PARTITION, SEGS (A) (A) (A)
- (501) SEATING PARTITION, SEGS (A) (A) (A)
- (502) SEATING PARTITION, SEGS (A) (A) (A)
- (503) SEATING PARTITION, SEGS (A) (A) (A)
- (504) SEATING PARTITION, SEGS (A) (A) (A)
- (505) SEATING PARTITION, SEGS (A) (A) (A)
- (506) SEATING PARTITION, SEGS (A) (A) (A)
- (507) SEATING PARTITION, SEGS (A) (A) (A)
- (508) SEATING PARTITION, SEGS (A) (A) (A)
- (509) SEATING PARTITION, SEGS (A) (A) (A)
- (510) SEATING PARTITION, SEGS (A) (A) (A)
- (511) SEATING PARTITION, SEGS (A) (A) (A)
- (512) SEATING PARTITION, SEGS (A) (A) (A)
- (513) SEATING PARTITION, SEGS (A) (A) (A)
- (514) SEATING PARTITION, SEGS (A) (A) (A)
- (515) SEATING PARTITION, SEGS (A) (A) (A)
- (516) SEATING PARTITION, SEGS (A) (A) (A)
- (517) SEATING PARTITION, SEGS (A) (A) (A)
- (518) SEATING PARTITION, SEGS (A) (A) (A)
- (519) SEATING PARTITION, SEGS (A) (A) (A)
- (520) SEATING PARTITION, SEGS (A) (A) (A)
- (521) SEATING PARTITION, SEGS (A) (A) (A)
- (522) SEATING PARTITION, SEGS (A) (A) (A)
- (523) SEATING PARTITION, SEGS (A) (A) (A)
- (524) SEATING PARTITION, SEGS (A) (A) (A)
- (525) SEATING PARTITION, SEGS (A) (A) (A)
- (526) SEATING PARTITION, SEGS (A) (A) (A)
- (527) SEATING PARTITION, SEGS (A) (A) (A)
- (528) SEATING PARTITION, SEGS (A) (A) (A)
- (529) SEATING PARTITION, SEGS (A) (A) (A)
- (530) SEATING PARTITION, SEGS (A) (A) (A)
- (531) SEATING PARTITION, SEGS (A) (A) (A)
- (532) SEATING PARTITION, SEGS (A) (A) (A)
- (533) SEATING PARTITION, SEGS (A) (A) (A)
- (534) SEATING PARTITION, SEGS (A) (A) (A)
- (535) SEATING PARTITION, SEGS (A) (A) (A)
- (536) SEATING PARTITION, SEGS (A) (A) (A)
- (537) SEATING PARTITION, SEGS (A) (A) (A)
- (538) SEATING PARTITION, SEGS (A) (A) (A)
- (539) SEATING PARTITION, SEGS (A) (A) (A)
- (540) SEATING PARTITION, SEGS (A) (A) (A)
- (541) SEATING PARTITION, SEGS (A) (A) (A)
- (542) SEATING PARTITION, SEGS (A) (A) (A)
- (543) SEATING PARTITION, SEGS (A) (A) (A)
- (544) SEATING PARTITION, SEGS (A) (A) (A)
- (545) SEATING PARTITION, SEGS (A) (A) (A)
- (546) SEATING PARTITION, SEGS (A) (A) (A)
- (547) SEATING PARTITION, SEGS (A) (A) (A)
- (548) SEATING PARTITION, SEGS (A) (A) (A)
- (549) SEATING PARTITION, SEGS (A) (A) (A)
- (550) SEATING PARTITION, SEGS (A) (A) (A)
- (551) SEATING PARTITION, SEGS (A) (A) (A)
- (552) SEATING PARTITION, SEGS (A) (A) (A)
- (553) SEATING PARTITION, SEGS (A) (A) (A)
- (554) SEATING PARTITION, SEGS (A) (A) (A)
- (555) SEATING PARTITION, SEGS (A) (A) (A)
- (556) SEATING PARTITION, SEGS (A) (A) (A)
- (557) SEATING PARTITION, SEGS (A) (A) (A)
- (558) SEATING PARTITION, SEGS (A) (A) (A)
- (559) SEATING PARTITION, SEGS (A) (A) (A)
- (560) SEATING PARTITION, SEGS (A) (A) (A)
- (561) SEATING PARTITION, SEGS (A) (A) (A)
- (562) SEATING PARTITION, SEGS (A) (A) (A)
- (563) SEATING PARTITION, SEGS (A) (A) (A)
- (564) SEATING PARTITION, SEGS (A) (A) (A)
- (565) SEATING PARTITION, SEGS (A) (A) (A)
- (566) SEATING PARTITION, SEGS (A) (A) (A)
- (567) SEATING PARTITION, SEGS (A) (A) (A)
- (568) SEATING PARTITION, SEGS (A) (A) (A)
- (569) SEATING PARTITION, SEGS (A) (A) (A)
- (570) SEATING PARTITION, SEGS (A) (A) (A)
- (571) SEATING PARTITION, SEGS (A) (A) (A)
- (572) SEATING PARTITION, SEGS (A) (A) (A)
- (573) SEATING PARTITION, SEGS (A) (A) (A)
- (574) SEATING PARTITION, SEGS (A) (A) (A)
- (575) SEATING PARTITION, SEGS (A) (A) (A)
- (576) SEATING PARTITION, SEGS (A) (A) (A)
- (577) SEATING PARTITION, SEGS (A) (A) (A)
- (578) SEATING PARTITION, SEGS (A) (A) (A)
- (579) SEATING PARTITION, SEGS (A) (A) (A)
- (580) SEATING PARTITION, SEGS (A) (A) (A)
- (581) SEATING PARTITION, SEGS (A) (A) (A)
- (582) SEATING PARTITION, SEGS (A) (A) (A)
- (583) SEATING PARTITION, SEGS (A) (A) (A)
- (584) SEATING PARTITION, SEGS (A) (A) (A)
- (585) SEATING PARTITION, SEGS (A) (A) (A)
- (586) SEATING PARTITION, SEGS (A) (A) (A)
- (587) SEATING PARTITION, SEGS (A) (A) (A)
- (588) SEATING PARTITION, SEGS (A) (A) (A)
- (589) SEATING PARTITION, SEGS (A) (A) (A)
- (590) SEATING PARTITION, SEGS (A) (A) (A)
- (591) SEATING PARTITION, SEGS (A) (A) (A)
- (592) SEATING PARTITION, SEGS (A) (A) (A)
- (593) SEATING PARTITION, SEGS (A) (A) (A)
- (594) SEATING PARTITION, SEGS (A) (A) (A)
- (595) SEATING PARTITION, SEGS (A) (A) (A)
- (596) SEATING PARTITION, SEGS (A) (A) (A)
- (597) SEATING PARTITION, SEGS (A) (A) (A)
- (598) SEATING PARTITION, SEGS (A) (A) (A)
- (599) SEATING PARTITION, SEGS (A) (A) (A)
- (600) SEATING PARTITION, SEGS (A) (A) (A)
- (601) SEATING PARTITION, SEGS (A) (A) (A)
- (602) SEATING PARTITION, SEGS (A) (A) (A)
- (603) SEATING PARTITION, SEGS (A) (A) (A)
- (604) SEATING PARTITION, SEGS (A) (A) (A)
- (605) SEATING PARTITION, SEGS (A) (A) (A)
- (606) SEATING PARTITION, SEGS (A) (A) (A)
- (607) SEATING PARTITION, SEGS (A) (A) (A)
- (608) SEATING PARTITION, SEGS (A) (A) (A)
- (609) SEATING PARTITION, SEGS (A) (A) (A)
- (610) SEATING PARTITION, SEGS (A) (A) (A)
- (611) SEATING PARTITION, SEGS (A) (A) (A)
- (612) SEATING PARTITION, SEGS (A) (A) (A)
- (613) SEATING PARTITION, SEGS (A) (A) (A)
- (614) SEATING PARTITION, SEGS (A) (A) (A)
- (615) SEATING PARTITION, SEGS (A) (A) (A)
- (616) SEATING PARTITION, SEGS (A) (A) (A)
- (617) SEATING PARTITION, SEGS (A) (A) (A)
- (618) SEATING PARTITION, SEGS (A) (A) (A)
- (619) SEATING PARTITION, SEGS (A) (A) (A)
- (620) SEATING PARTITION, SEGS (A) (A) (A)
- (621) SEATING PARTITION, SEGS (A) (A) (A)
- (622) SEATING PARTITION, SEGS (A) (A) (A)
- (623) SEATING PARTITION, SEGS (A) (A) (A)
- (624) SEATING PARTITION, SEGS (A) (A) (A)
- (625) SEATING PARTITION, SEGS (A) (A) (A)
- (626) SEATING PARTITION, SEGS (A) (A) (A)
- (627) SEATING PARTITION, SEGS (A) (A) (A)
- (628) SEATING PARTITION, SEGS (A) (A) (A)
- (629) SEATING PARTITION, SEGS (A) (A) (A)
- (630) SEATING PARTITION, SEGS (A) (A) (A)
- (631) SEATING PARTITION, SEGS (A) (A) (A)
- (632) SEATING PARTITION, SEGS (A) (A) (A)
- (633) SEATING PARTITION, SEGS (A) (A) (A)
- (634) SEATING PARTITION, SEGS (A) (A) (A)
- (635) SEATING PARTITION, SEGS (A) (A) (A)
- (636) SEATING PARTITION, SEGS (A) (A) (A)
- (637) SEATING PARTITION, SEGS (A) (A) (A)
- (638) SEATING PARTITION, SEGS (A) (A) (A)
- (639) SEATING PARTITION, SEGS (A) (A) (A)
- (640) SEATING PARTITION, SEGS (A) (A) (A)
- (641) SEATING PARTITION, SEGS (A) (A) (A)
- (642) SEATING PARTITION, SEGS (A) (A) (A)
- (643) SEATING PARTITION, SEGS (A) (A) (A)
- (644) SEATING PARTITION, SEGS (A) (A) (A)
- (645) SEATING PARTITION, SEGS (A) (A) (A)
- (646) SEATING PARTITION, SEGS (A) (A) (A)
- (647) SEATING PARTITION, SEGS (A) (A) (A)
- (648) SEATING PARTITION, SEGS (A) (A) (A)
- (649) SEATING PARTITION, SEGS (A) (A) (A)
- (650) SEATING PARTITION, SEGS (A) (A) (A)
- (651) SEATING PARTITION, SEGS (A) (A) (A)
- (652) SEATING PARTITION, SEGS (A) (A) (A)
- (653) SEATING PARTITION, SEGS (A) (A) (A)
- (654) SEATING PARTITION, SEGS (A) (A) (A)
- (655) SEATING PARTITION, SEGS (A) (A) (A)
- (656) SEATING PARTITION, SEGS (A) (A) (A)
- (657) SEATING PARTITION, SEGS (A) (A) (A)
- (658) SEATING PARTITION, SEGS (A) (A) (A)
- (659) SEATING PARTITION, SEGS (A) (A) (A)
- (660) SEATING PARTITION, SEGS (A) (A) (A)
- (661) SEATING PARTITION, SEGS (A) (A) (A)
- (662) SEATING PARTITION, SEGS (A) (A) (A)
- (663) SEATING PARTITION, SEGS (A) (A) (A)
- (664) SEATING PARTITION, SEGS (A) (A) (A)
- (665) SEATING PARTITION, SEGS (A) (A) (A)
- (666) SEATING PARTITION, SEGS (A) (A) (A)
- (667) SEATING PARTITION, SEGS (A) (A) (A)
- (668) SEATING PARTITION, SEGS (A) (A) (A)
- (669) SEATING PARTITION, SEGS (A) (A) (A)
- (670) SEATING PARTITION, SEGS (A) (A) (A)
- (671) SEATING PARTITION, SEGS (A) (A) (A)
- (672) SEATING PARTITION, SEGS (A) (A) (A)
- (673) SEATING PARTITION, SEGS (A) (A) (A)
- (674) SEATING PARTITION, SEGS (A) (A) (A)
- (675) SEATING PARTITION, SEGS (A) (A) (A)
- (676) SEATING PARTITION, SEGS (A) (A) (A)
- (677) SEATING PARTITION, SEGS (A) (A) (A)
- (678) SEATING PARTITION, SEGS (A) (A) (A)
- (679) SEATING PARTITION, SEGS (A) (A) (A)
- (680) SEATING PARTITION, SEGS (A) (A) (A)
- (681) SEATING PARTITION, SEGS (A) (A) (A)
- (682) SEATING PARTITION, SEGS (A) (A) (A)
- (683) SEATING PARTITION, SEGS (A) (A) (A)
- (684) SEATING PARTITION, SEGS (A) (A) (A)
- (685) SEATING PARTITION, SEGS (A) (A) (A)
- (686) SEATING PARTITION, SEGS (A) (A) (A)
- (687) SEATING PARTITION, SEGS (A) (A) (A)
- (688) SEATING PARTITION, SEGS (A) (A) (A)
- (689) SEATING PARTITION, SEGS (A) (A) (A)
- (690) SEATING PARTITION, SEGS (A) (A) (A)
- (691) SEATING PARTITION, SEGS (A) (A) (A)
- (692) SEATING PARTITION, SEGS (A) (A) (A)
- (693) SEATING PARTITION, SEGS (A) (A) (A)
- (694) SEATING PARTITION, SEGS (A) (A) (A)
- (695) SEATING PARTITION, SEGS (A) (A) (A)
- (696) SEATING PARTITION, SEGS (A) (A) (A)
- (697) SEATING PARTITION, SEGS (A) (A) (A)
- (698) SEATING PARTITION, SEGS (A) (A) (A)
- (699) SEATING PARTITION, SEGS (A) (A) (A)
- (700) SEATING PARTITION, SEGS (A) (A) (A)



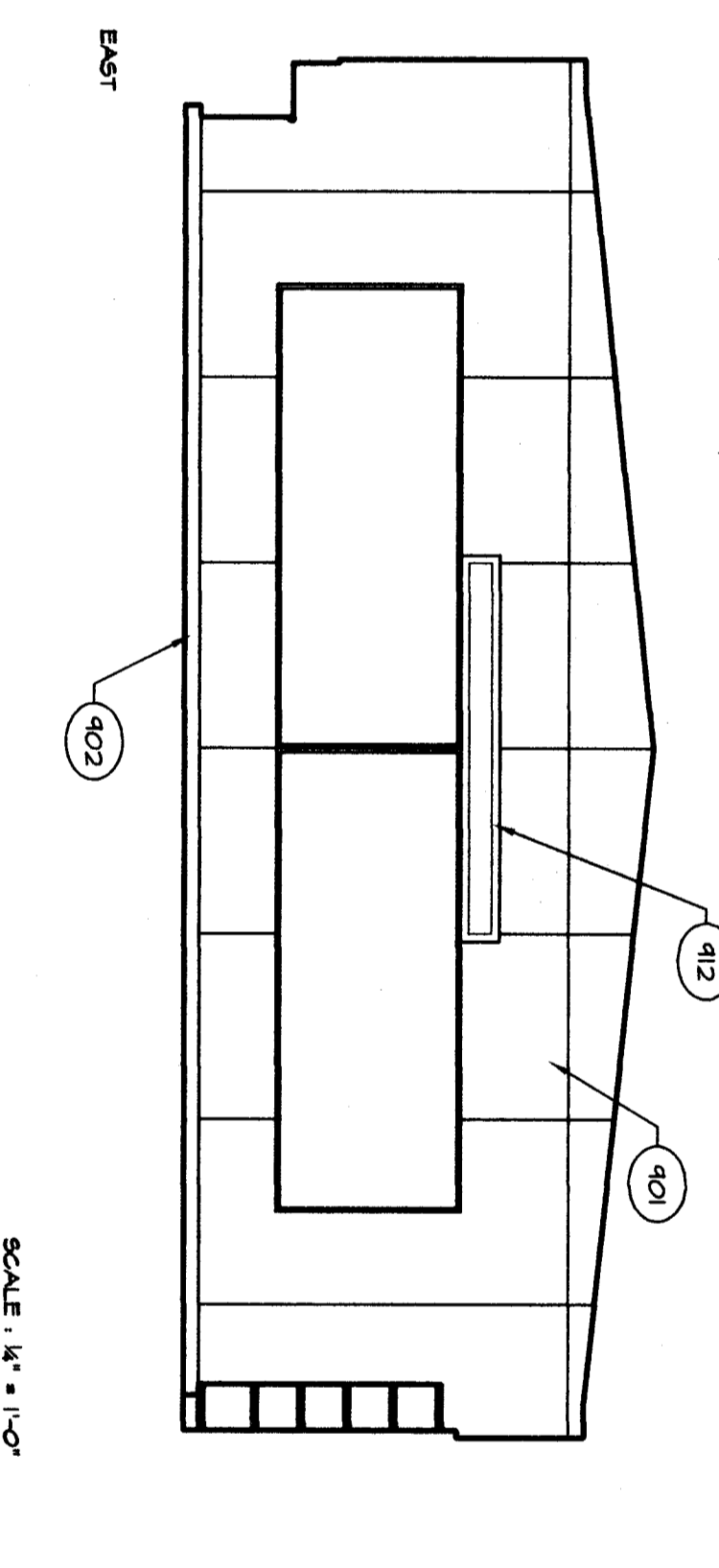
301 KINDERGARTEN
 10. Refer to Addendum #10, Item 24 Drawing #18, Interior Elevations, Room 301 Kindergarten
 Add: Note: Room 307 Kindergarten, similar but reversed.



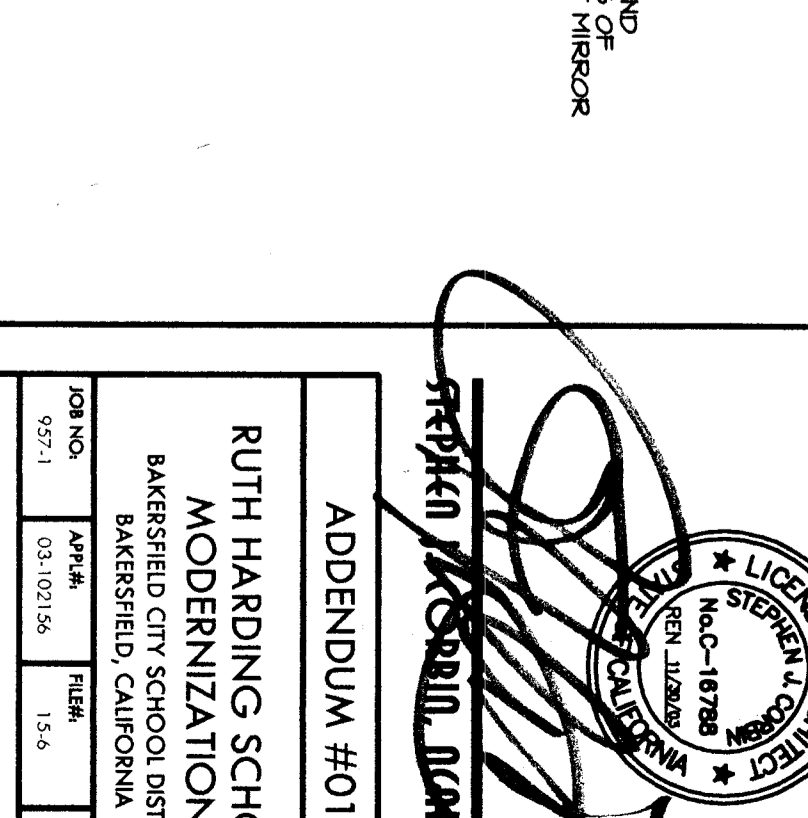
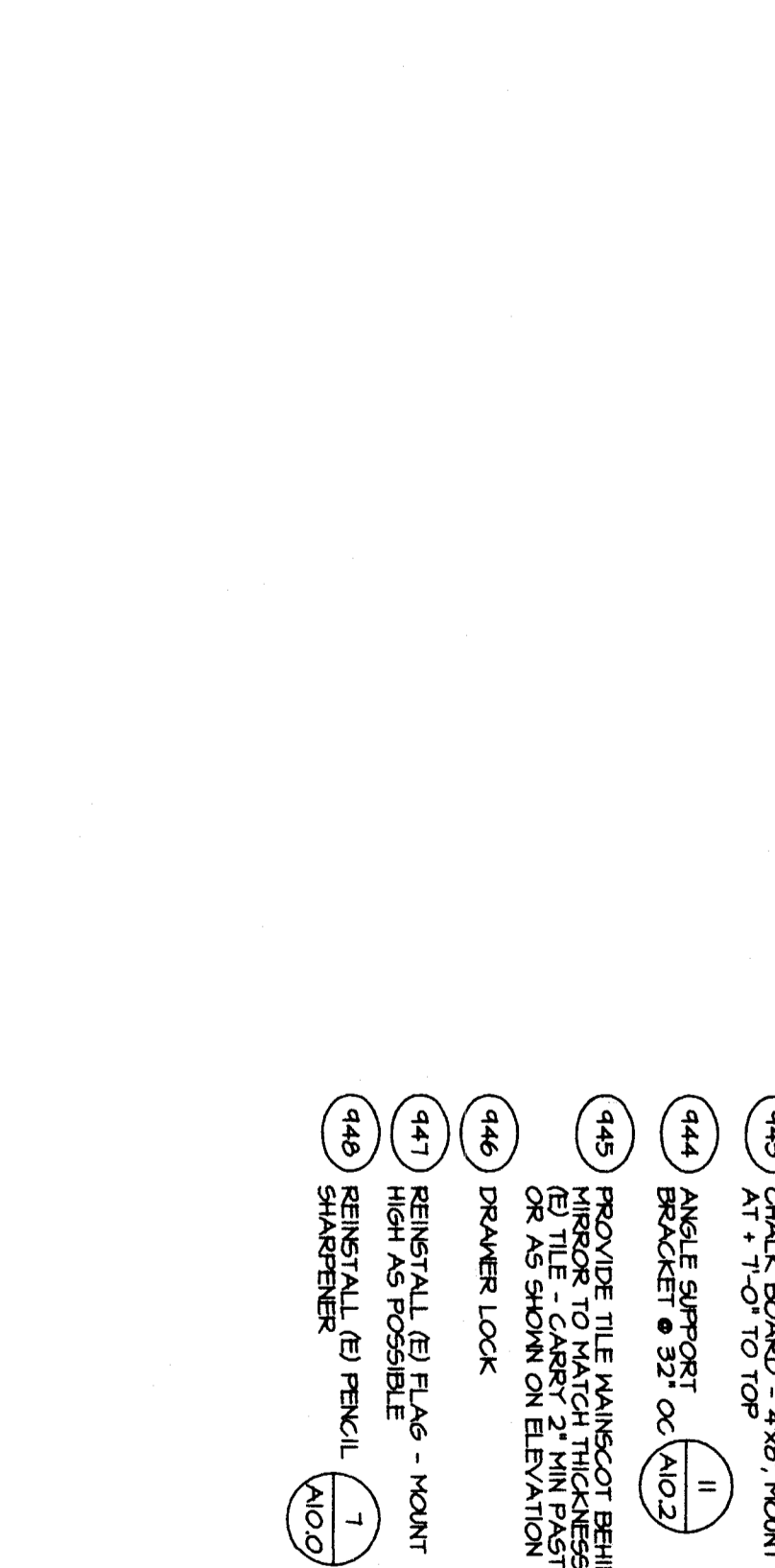
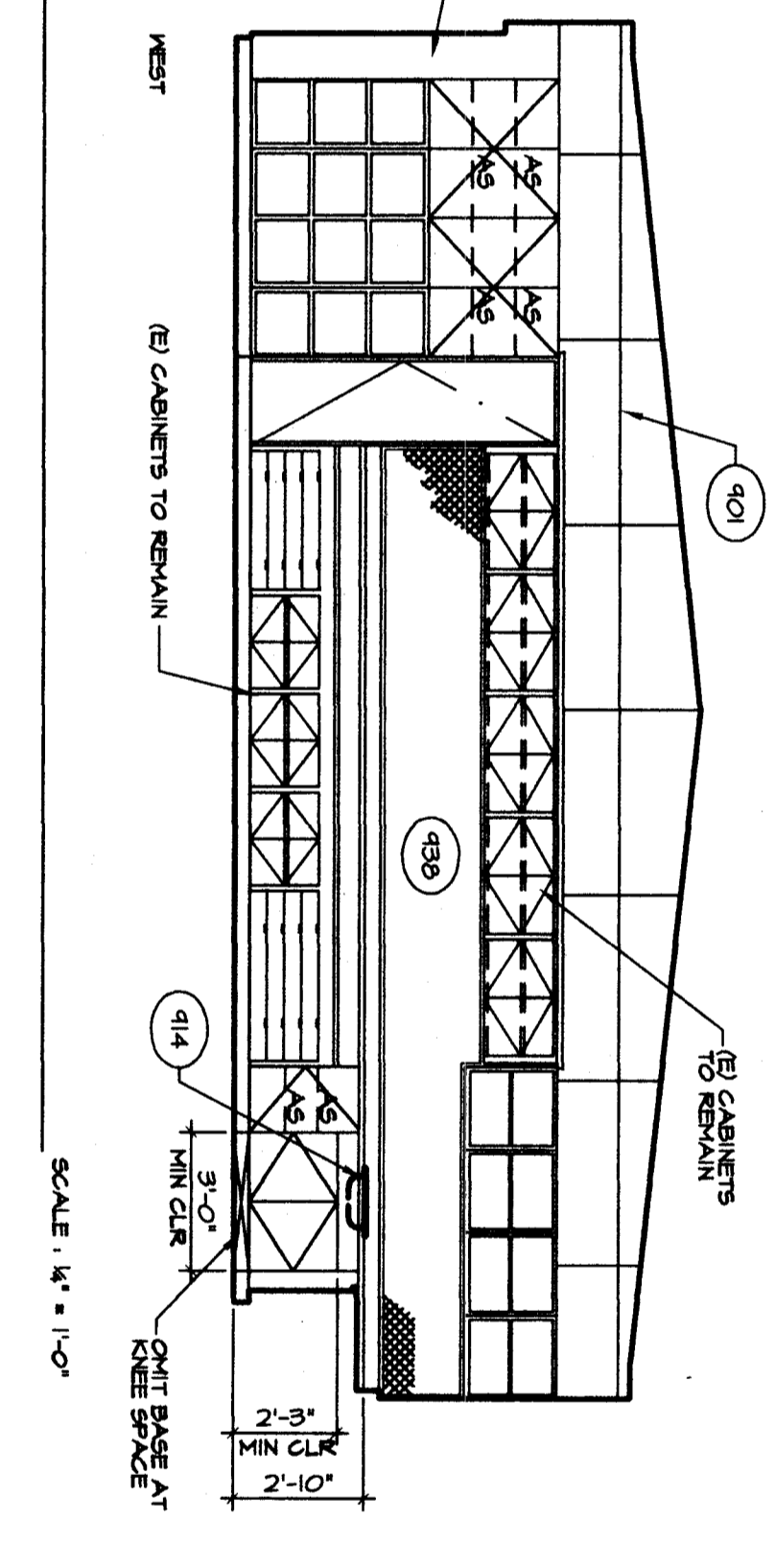
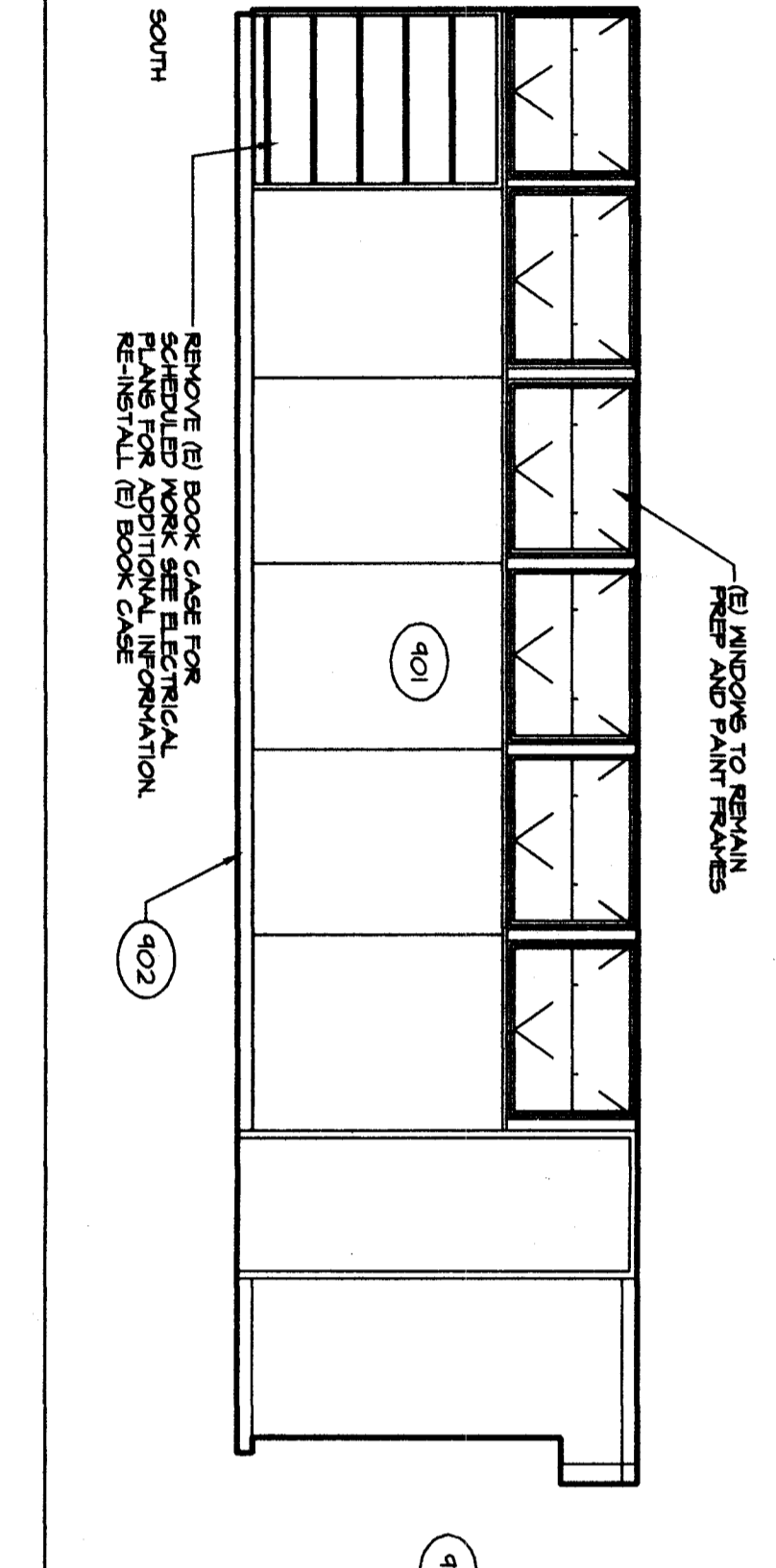
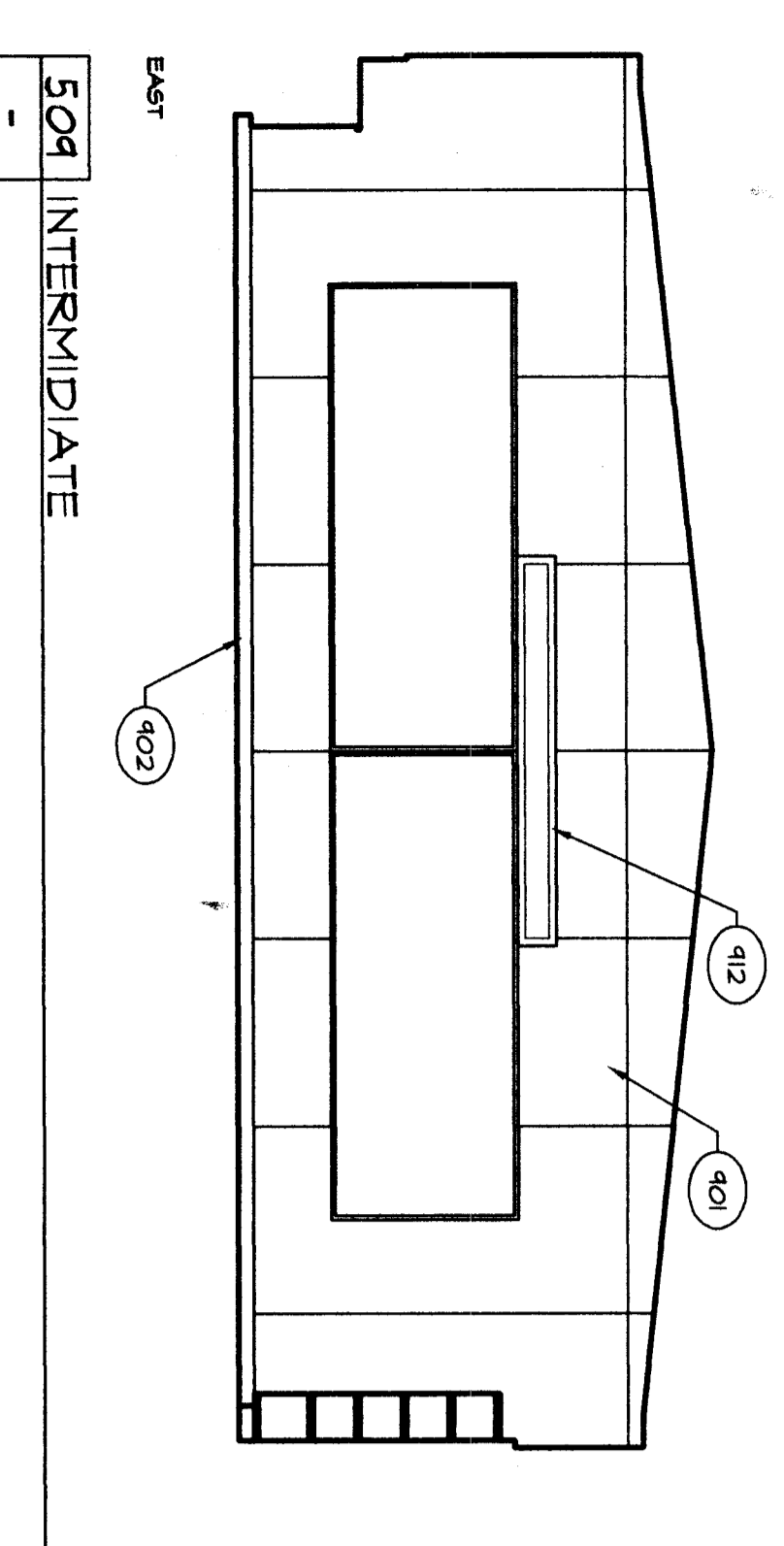
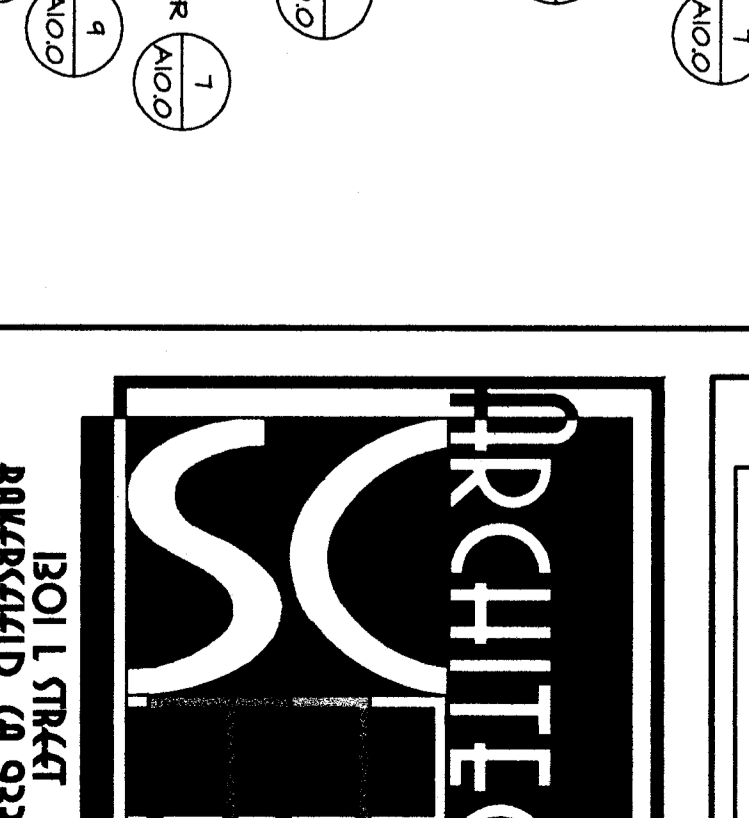
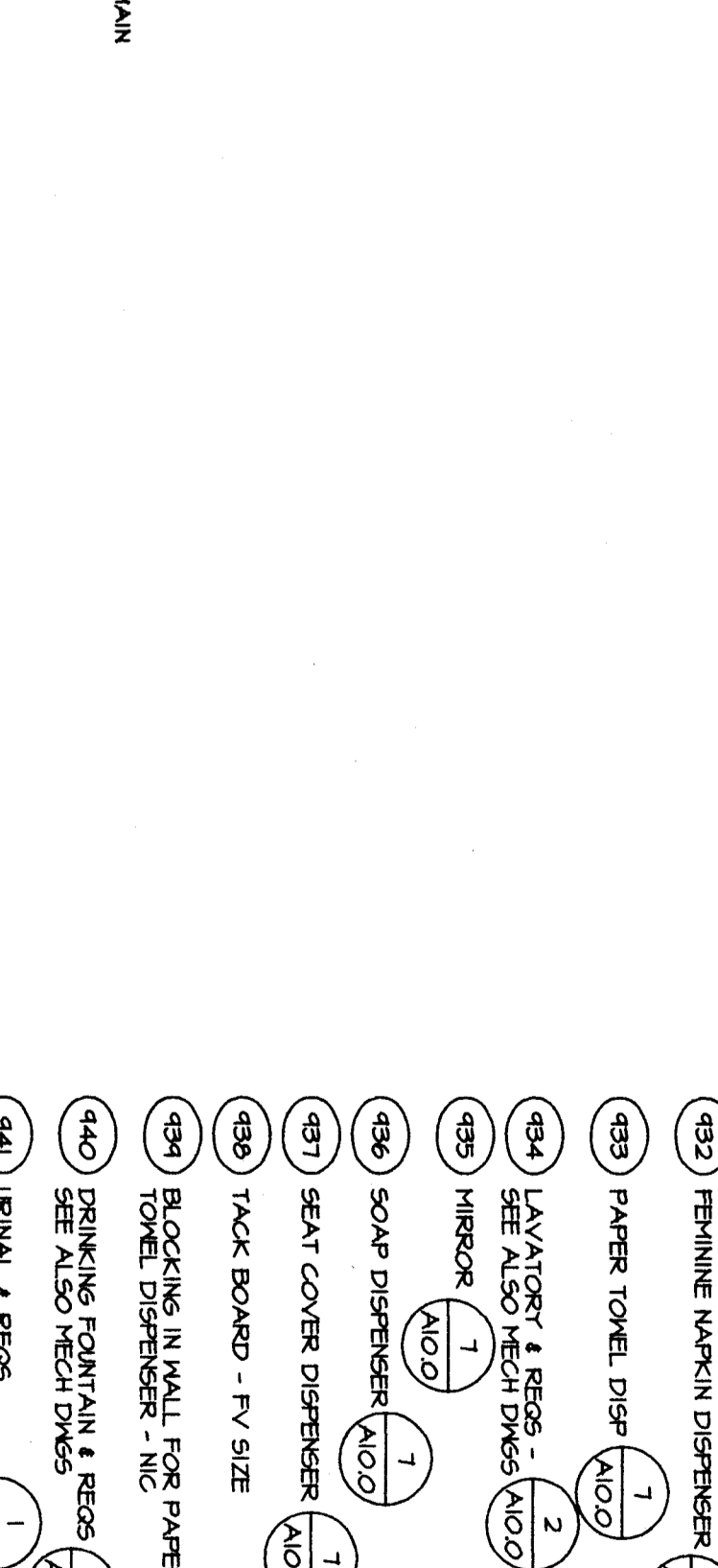
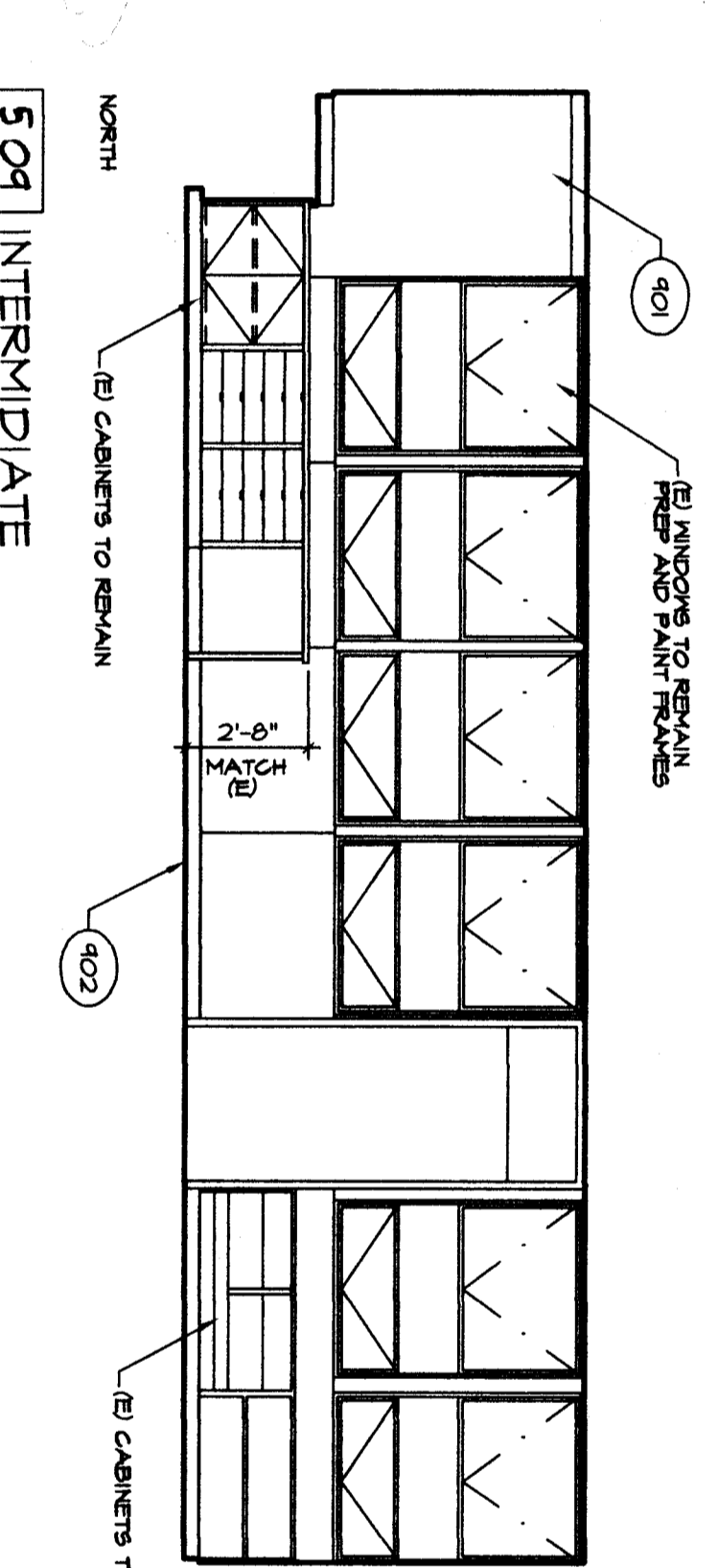
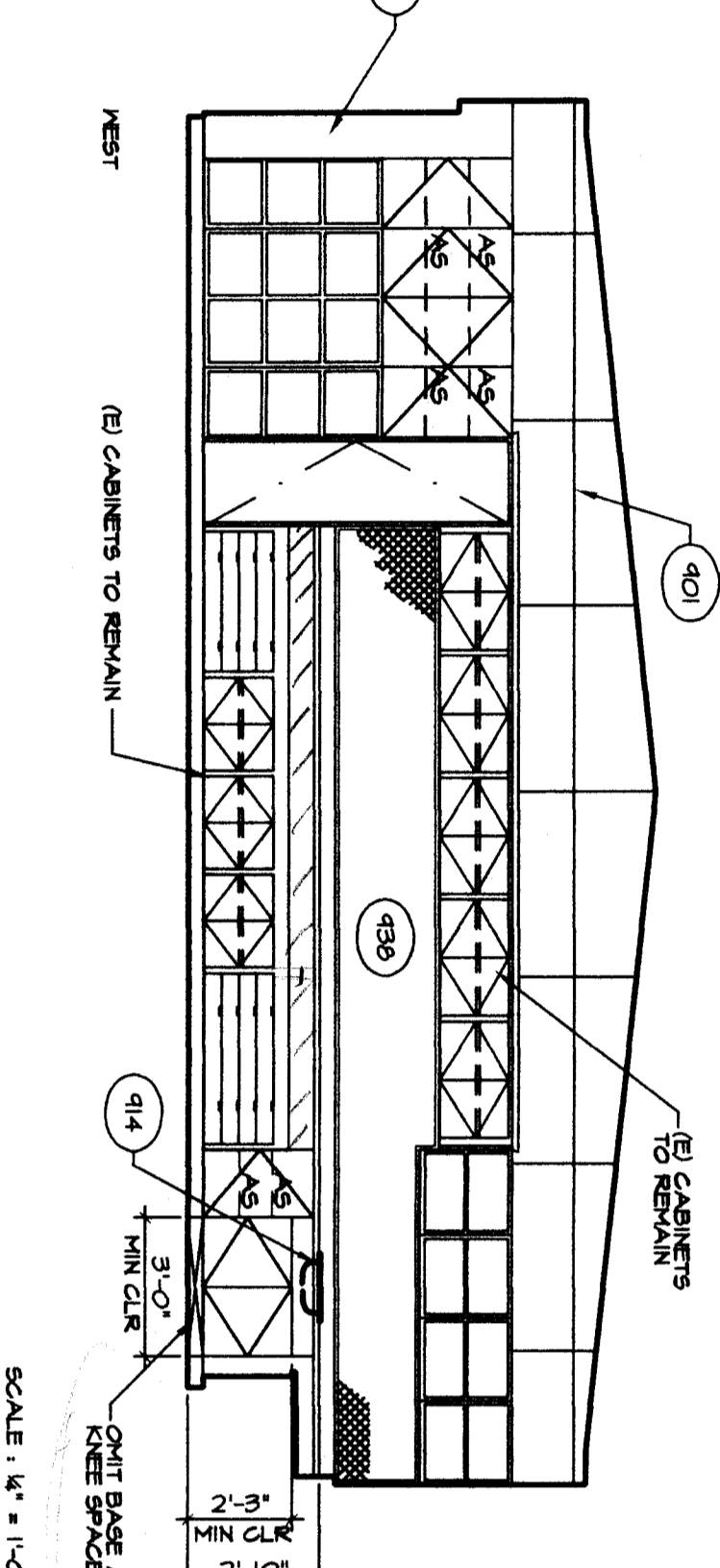
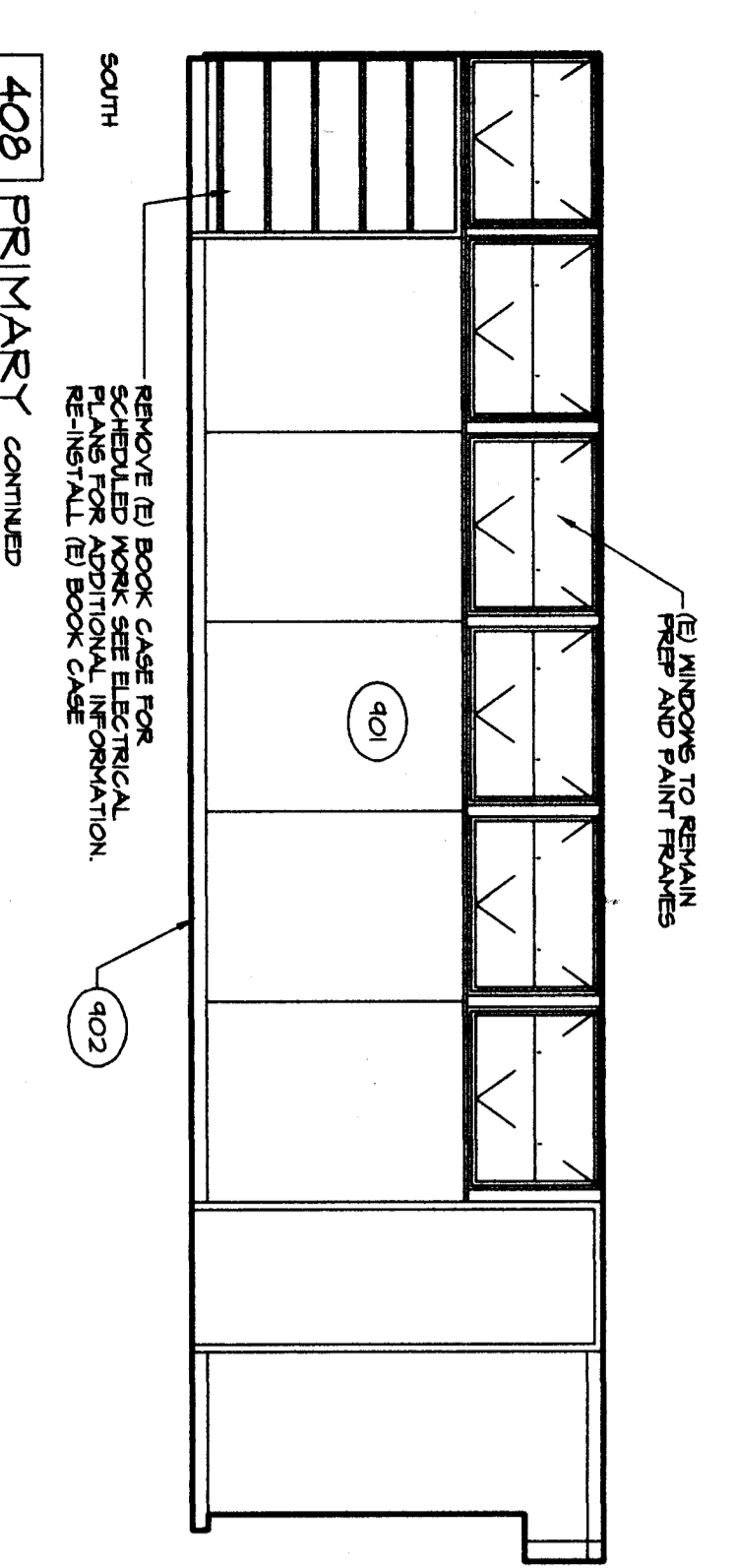
301 KINDERGARTEN CONTINUED
 SCALE: 1/4" = 1'-0"



408 PRIMARY



SCALE: 1/4" = 1'-0"



MARK	DATE	REVISIONS

CHECK AND VERIFY ALL DIMENSIONS BEFORE PROCEEDING WITH THE WORK. ROOM DISCREPANCIES IN CONSTRUCTION SHALL CONFORM TO THE C.S.C.

RUTH HARDING SCHOOL
 MODERNIZATION
 3201 PICO AVE.
 FOR
 BAKERSFIELD CITY SCHOOL DISTRICT
 BAKERSFIELD, KERN COUNTY, CALIFORNIA

ARCHITECT
 1301 L STREET
 BAKERSFIELD, CA 93301
 PH: (661) 327-1632
 FAX: (661) 327-2339

ARCHITECT
 LICENSED ARCHITECT
 NO. 18788
 STATE OF CALIFORNIA

ADDENDUM #01
RUTH HARDING SCHOOL
 MODERNIZATION
 BAKERSFIELD CITY SCHOOL DISTRICT
 SHEET NO. 18
 DATE: 08/18/03

INTERIOR ELEVATIONS
 JOB NO. 957.1
 DRAWING REVISION CHECKED
 DATE: 08/18/03
9.4.1
 1 OF 31 SHEETS