

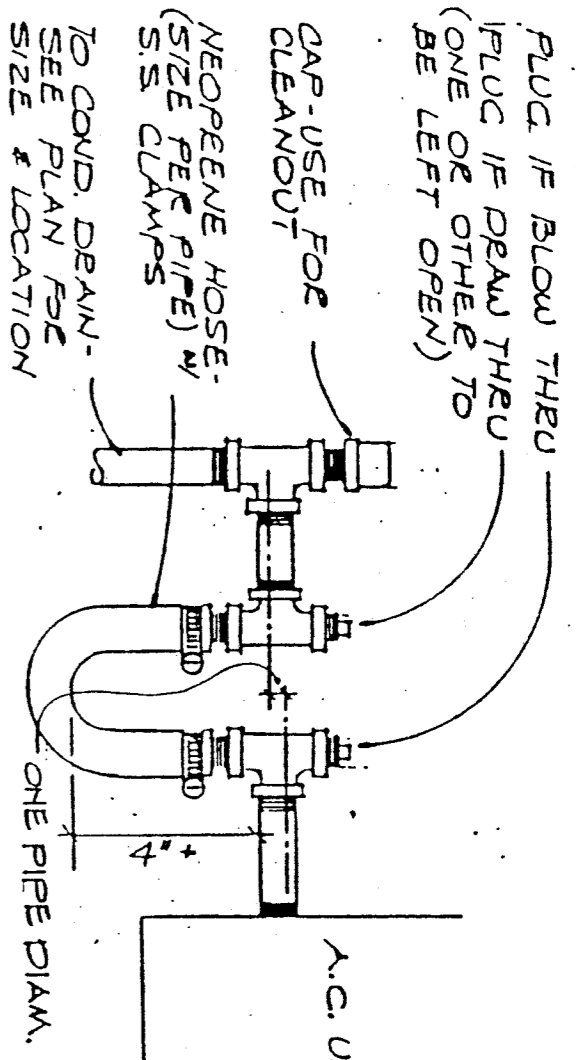
**EQUIPMENT SCHEDULE**

AC/1	DAY & NIGHT PACKAGED UNIT - 1800 CFM AT 4" ESP - ALT. 1 HP SUMMER MOTOR
AC/2	DAY & NIGHT PACKAGED UNIT - 1800 CFM AT 4" ESP - ALT. 1 HP SUMMER MOTOR
AC/3	DAY & NIGHT PACKAGED UNIT - 1800 CFM AT 4" ESP - ALT. 1 HP SUMMER MOTOR
AC/4	DAY & NIGHT PACKAGED UNIT - 1800 CFM AT 4" ESP - ALT. 1 HP SUMMER MOTOR
AC/5	DAY & NIGHT PACKAGED UNIT - 1800 CFM AT 4" ESP - ALT. 1 HP SUMMER MOTOR
AC/6	DAY & NIGHT PACKAGED UNIT - 1800 CFM AT 4" ESP - ALT. 1 HP SUMMER MOTOR
AC/7	DAY & NIGHT PACKAGED UNIT - 1800 CFM AT 4" ESP - ALT. 1 HP SUMMER MOTOR
AC/8	DAY & NIGHT PACKAGED UNIT - 1800 CFM AT 4" ESP - ALT. 1 HP SUMMER MOTOR
AC/9	DAY & NIGHT PACKAGED UNIT - 1800 CFM AT 4" ESP - ALT. 1 HP SUMMER MOTOR
AC/10	DAY & NIGHT PACKAGED UNIT - 1800 CFM AT 4" ESP - ALT. 1 HP SUMMER MOTOR
AC/11	DAY & NIGHT PACKAGED UNIT - 1800 CFM AT 4" ESP - ALT. 1 HP SUMMER MOTOR
AC/12	DAY & NIGHT PACKAGED UNIT - 1800 CFM AT 4" ESP - ALT. 1 HP SUMMER MOTOR

**REGISTER SCHEDULE**

CR-1	ANGUSTIA #100-3
CR-2	ANGUSTIA #100-3
CR-3	ANGUSTIA #100-3

HOSE - 3/4" O.D. SPRING MITO. UNITS.  
USE STEEL FITTINGS ON RIGIDLY  
MOUNTED UNITS

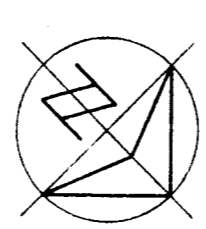
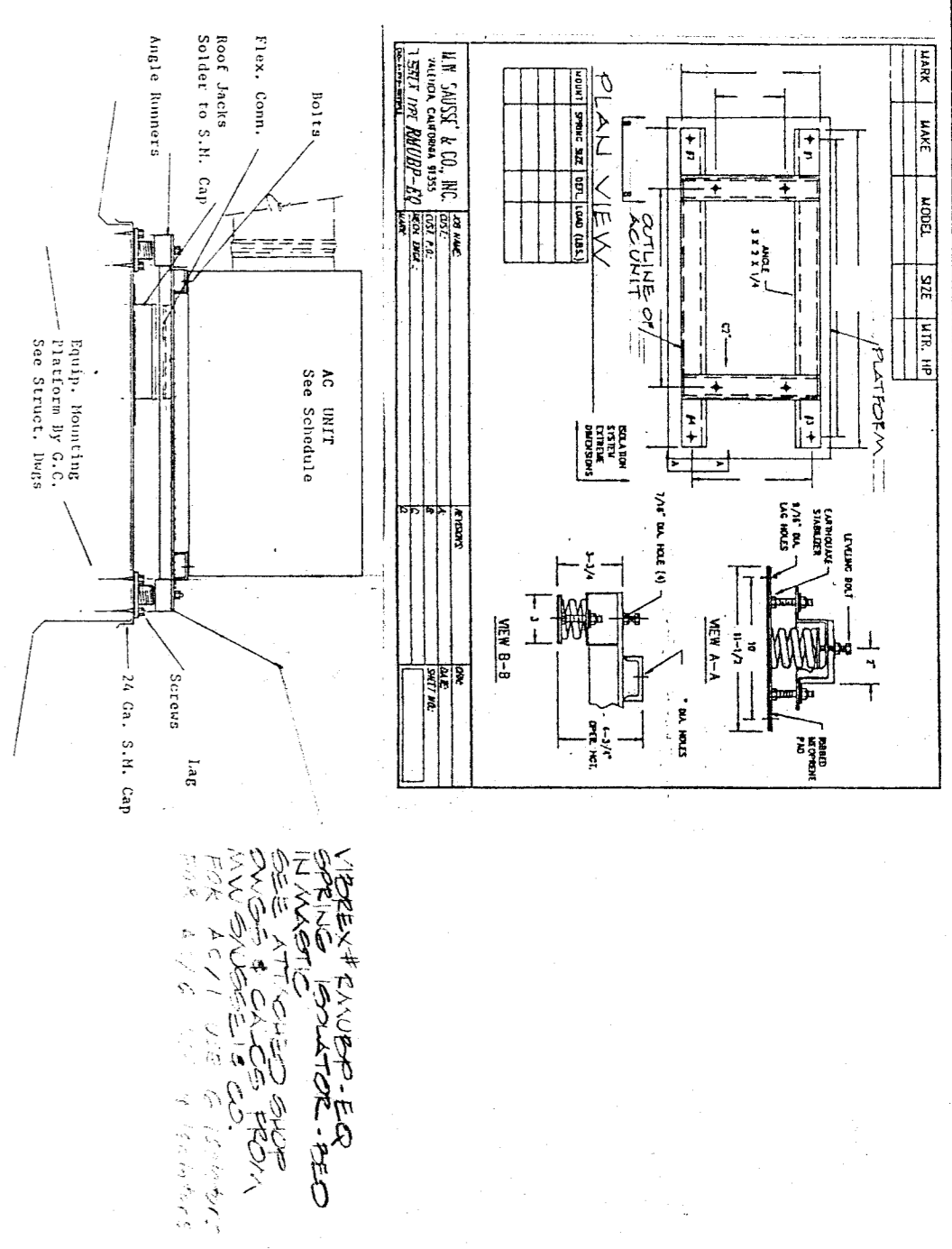


PLUG IF BLOW THRU  
CLEANOUT HOSE.  
(ONE OF OTHER TO  
BE LEFT OPEN)

COND. DRAIN -  
SEE PLAN LOCATION  
ONE PIPE DIAM.

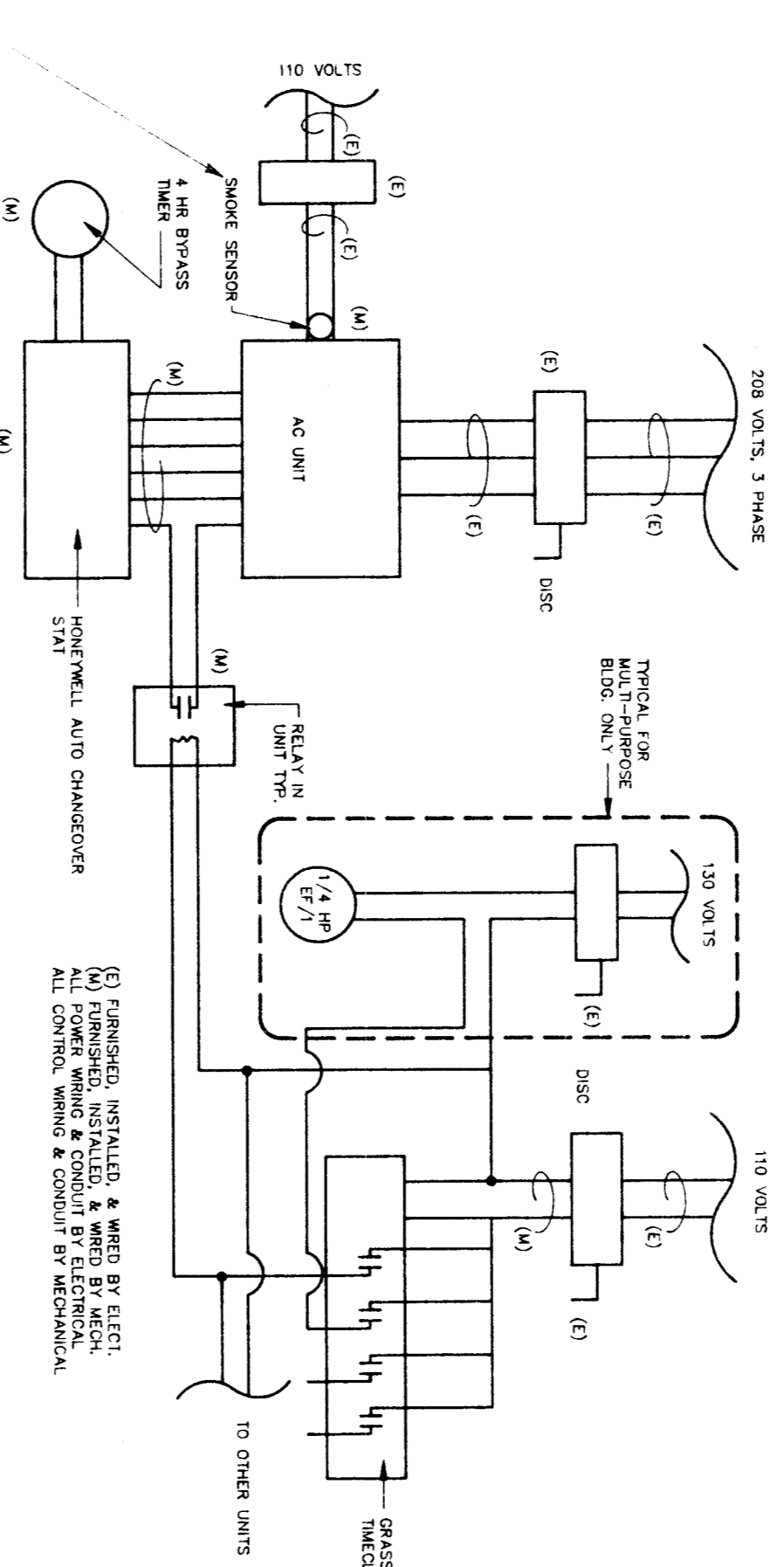
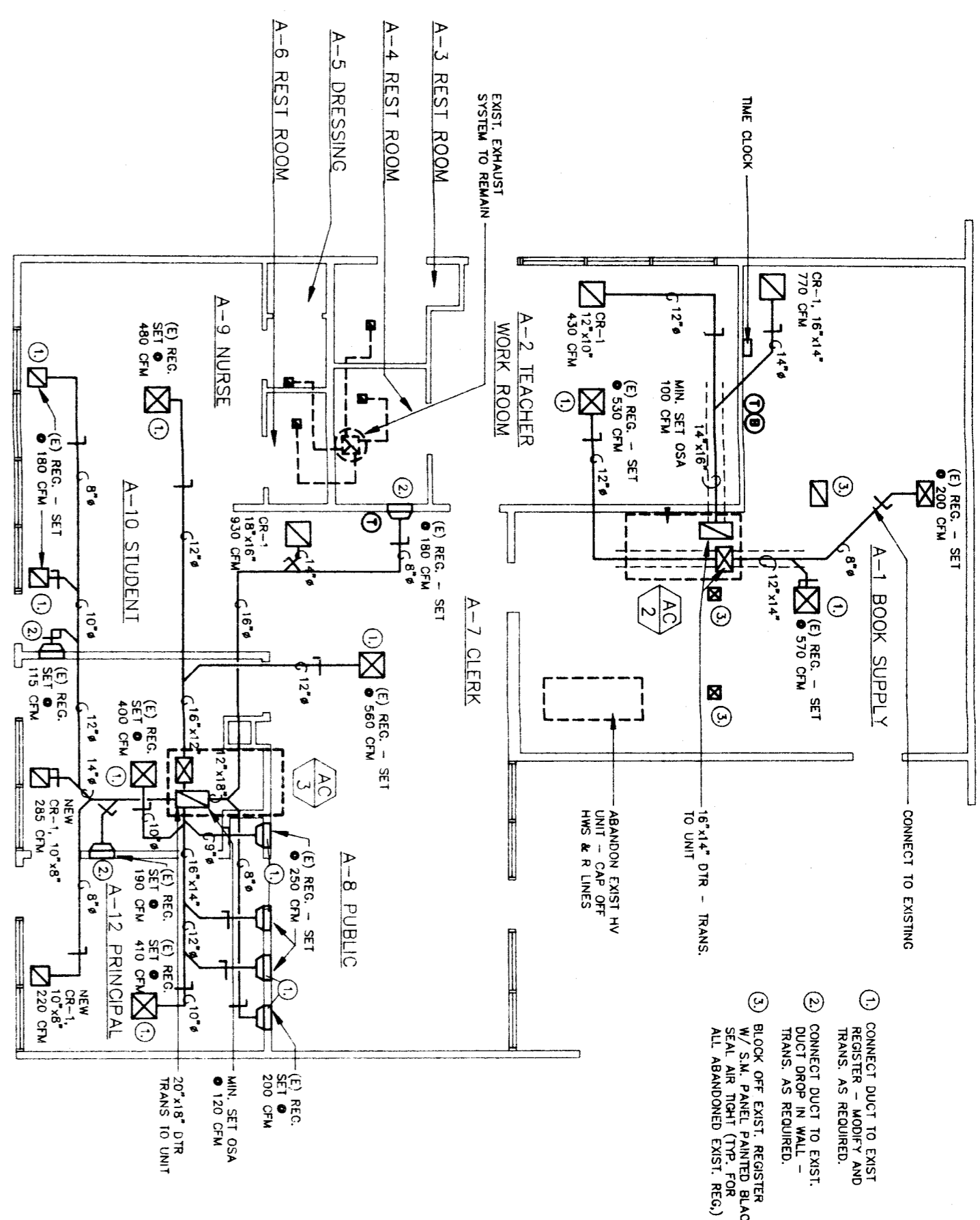
**4 CONDENSATE TRAP @ AC UNIT**  
N.I.S.

**1 AC UNIT MOUNTING**  
(TYP. FOR AC/1,2,3,5,8,6) N.I.S.



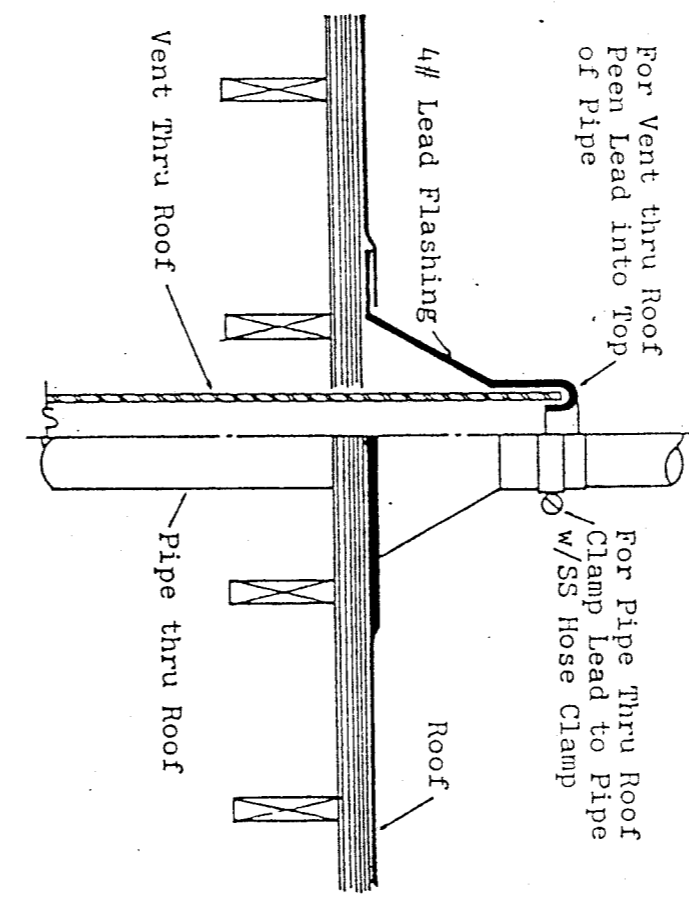
**OFFICE HVAC PLAN**

SCALE: 1/8" = 1'-0"

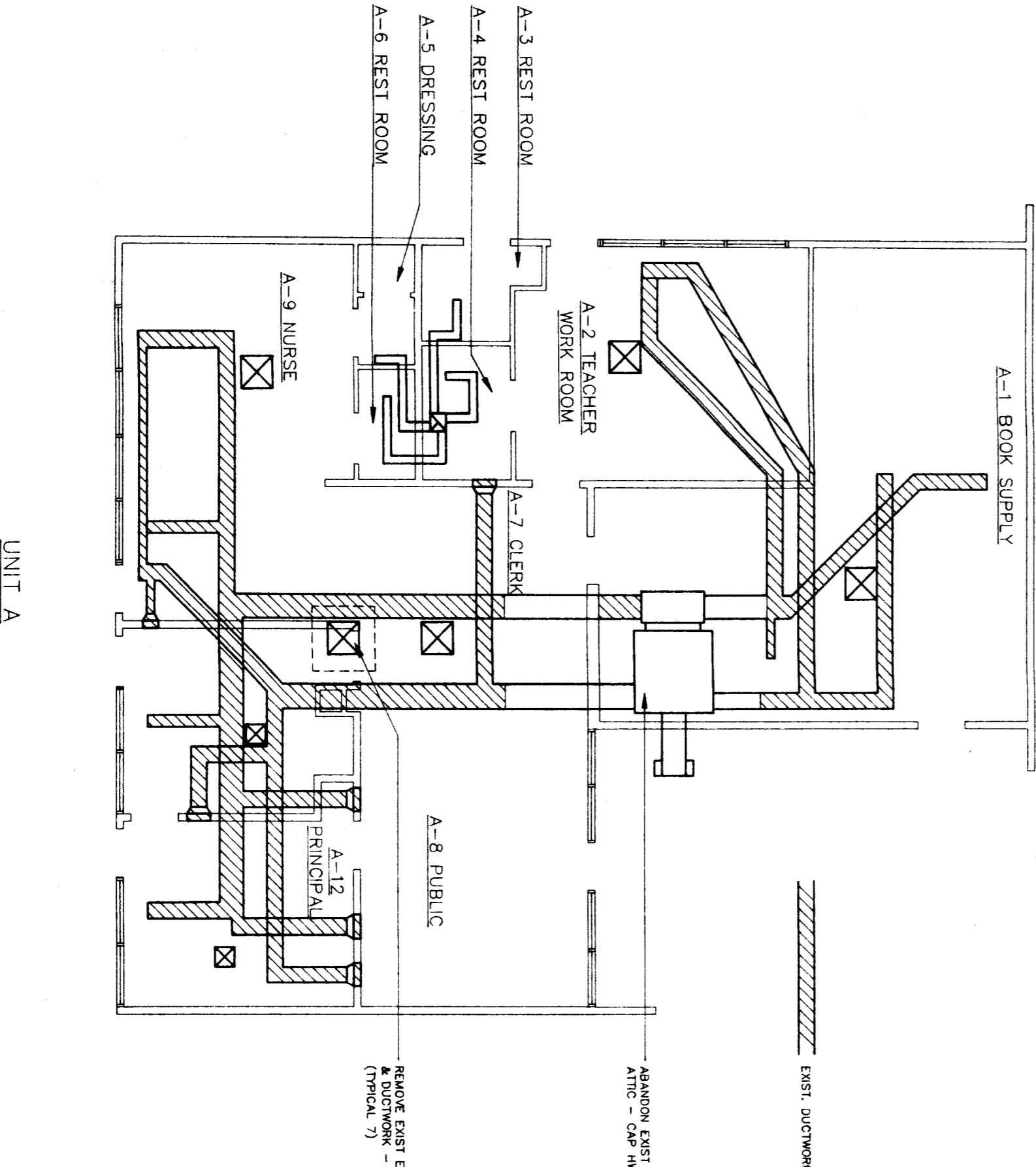
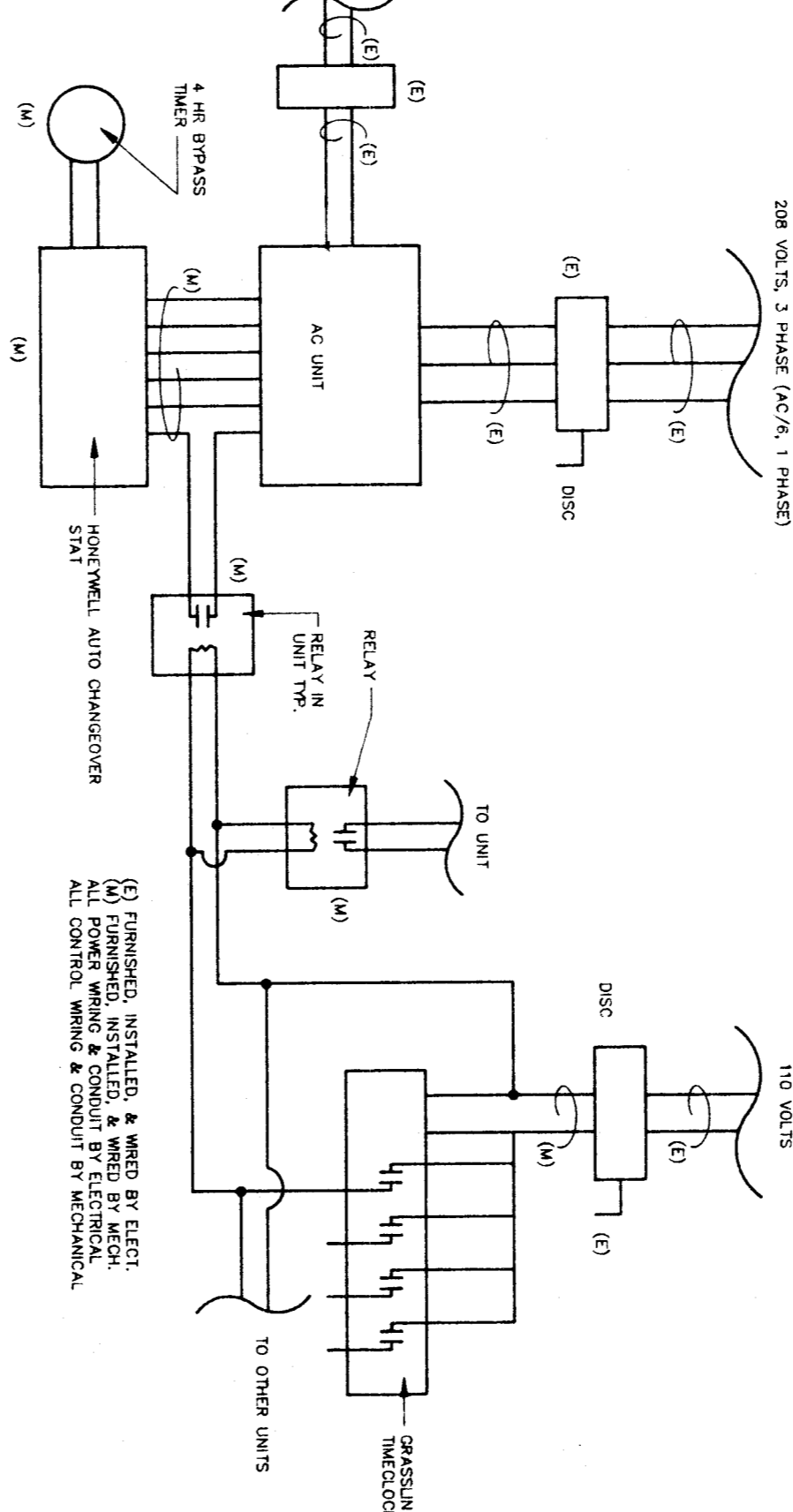


**7 CONTROL WIRING DIAGRAM**  
(TYP. FOR MULTI-PURPOSE & ADMIN. BLDG.) N.I.S.

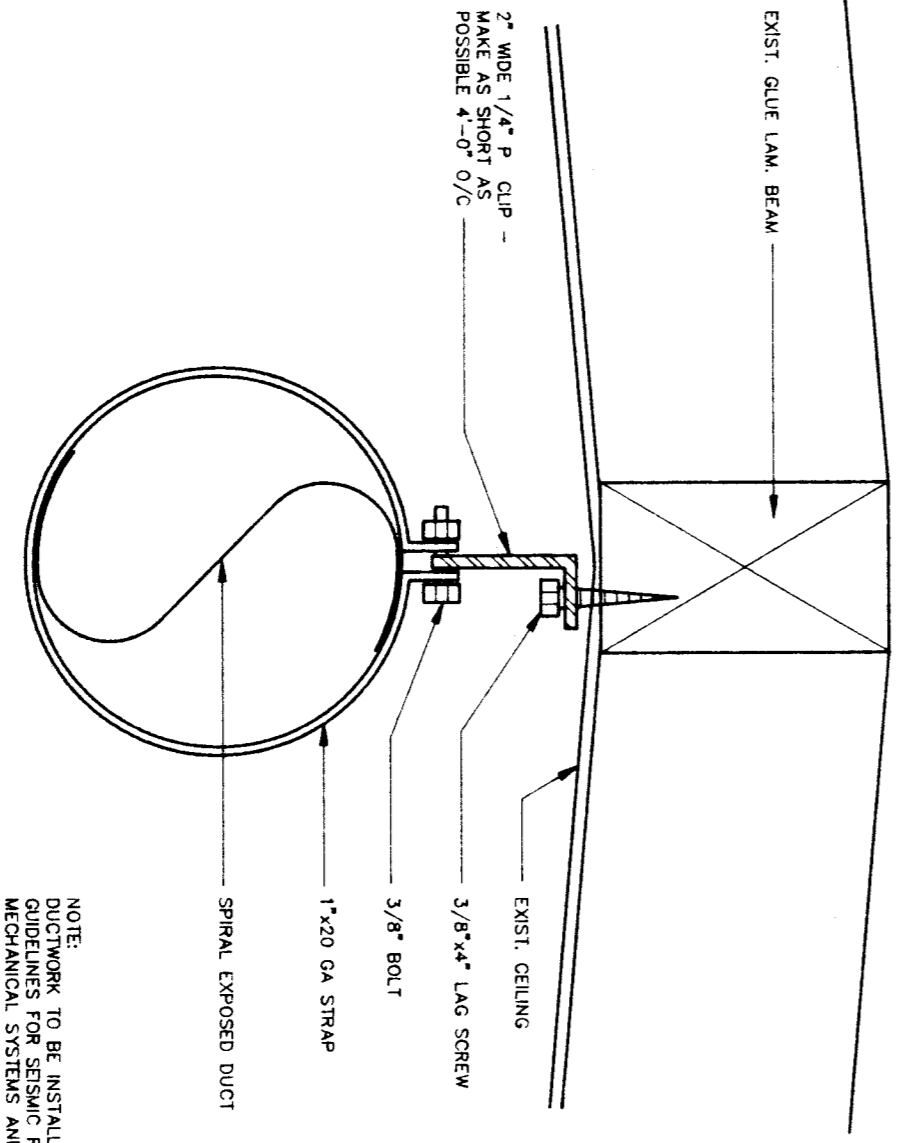
**5 PIPE/VENT THRU ROOF**  
N.I.S.



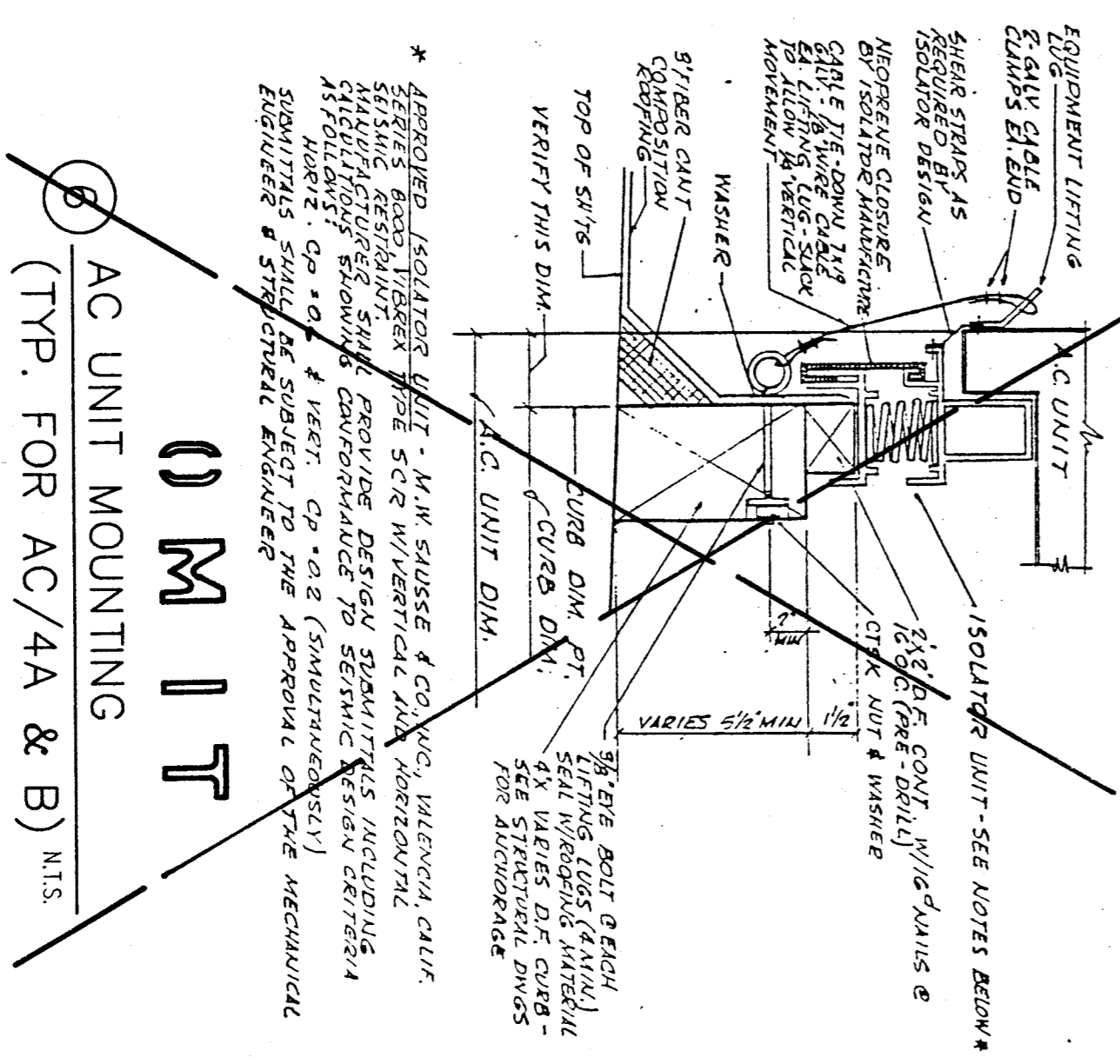
**2 CONTROL WIRING DIAGRAM**  
(TYPICAL CLASSROOMS) N.I.S.



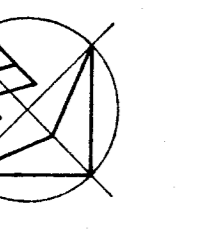
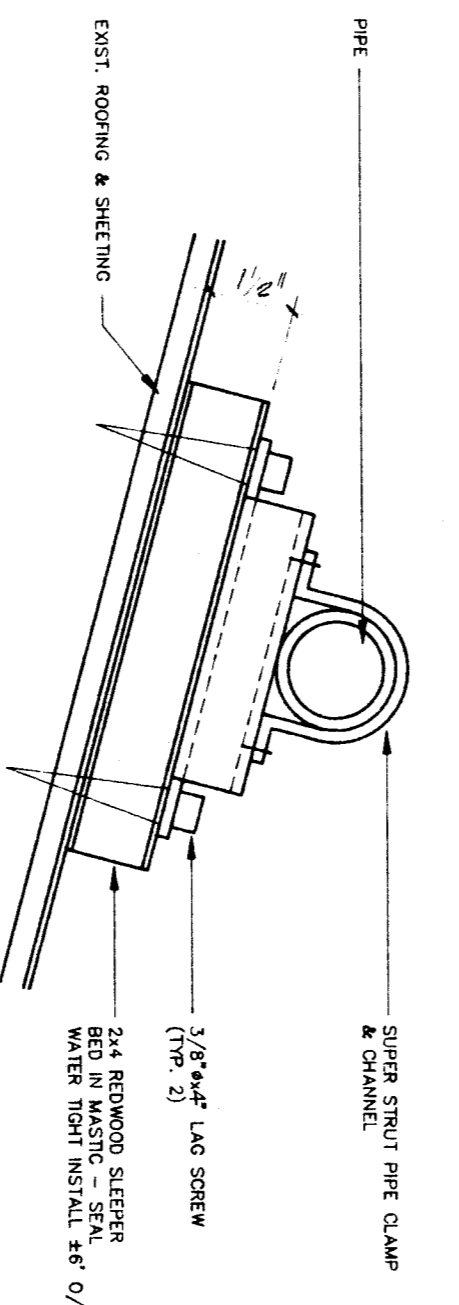
**8 EXPOSED DUCT HANGER**  
N.I.S.



**6 AC UNIT MOUNTING**  
(TYP. FOR AC/4A & B) N.I.S.



**3 PIPE SUPPORT @ ROOF**  
N.I.S.



**OFFICE DEMO PLAN**

SCALE: 1/8" = 1'-0"

**FIRE MARSHALL**

O.S.A.

JAN/80

FRANK J. HARTZELL ARCHITECT

1000 W. BAKERSFIELD AVENUE  
BAKERSFIELD, CALIF. 93303

EXR 27-1-80-01

**M 3**

SHEET NO. 98

SHEET 2 OF 4

HVAC FLOOR PLANS ~ EQUIPMENT SCHEDULE ~ DETAILS ~ DIAGRAMS

**( AIR CONDITIONING )**

**RUTH HARDING SCHOOL**

BAKERSFIELD CITY SCHOOL DISTRICT  
BAKERSFIELD, KERN COUNTY, CALIFORNIA

DATE 1-15-90

DRAWN BF

BAKERSFIELD CITY SCHOOL DISTRICT

BY RESOLUTION OF THE BOARD OF TRUSTEES

APPROVED:

DATE

**Glenn Hartzell A.I.A.**

26 'H' STREET, 93304 (805) 324-6416

P.O. BOX 2344, 93303, BAKERSFIELD, CALIFORNIA

ARCHITECT C-10298

DATE