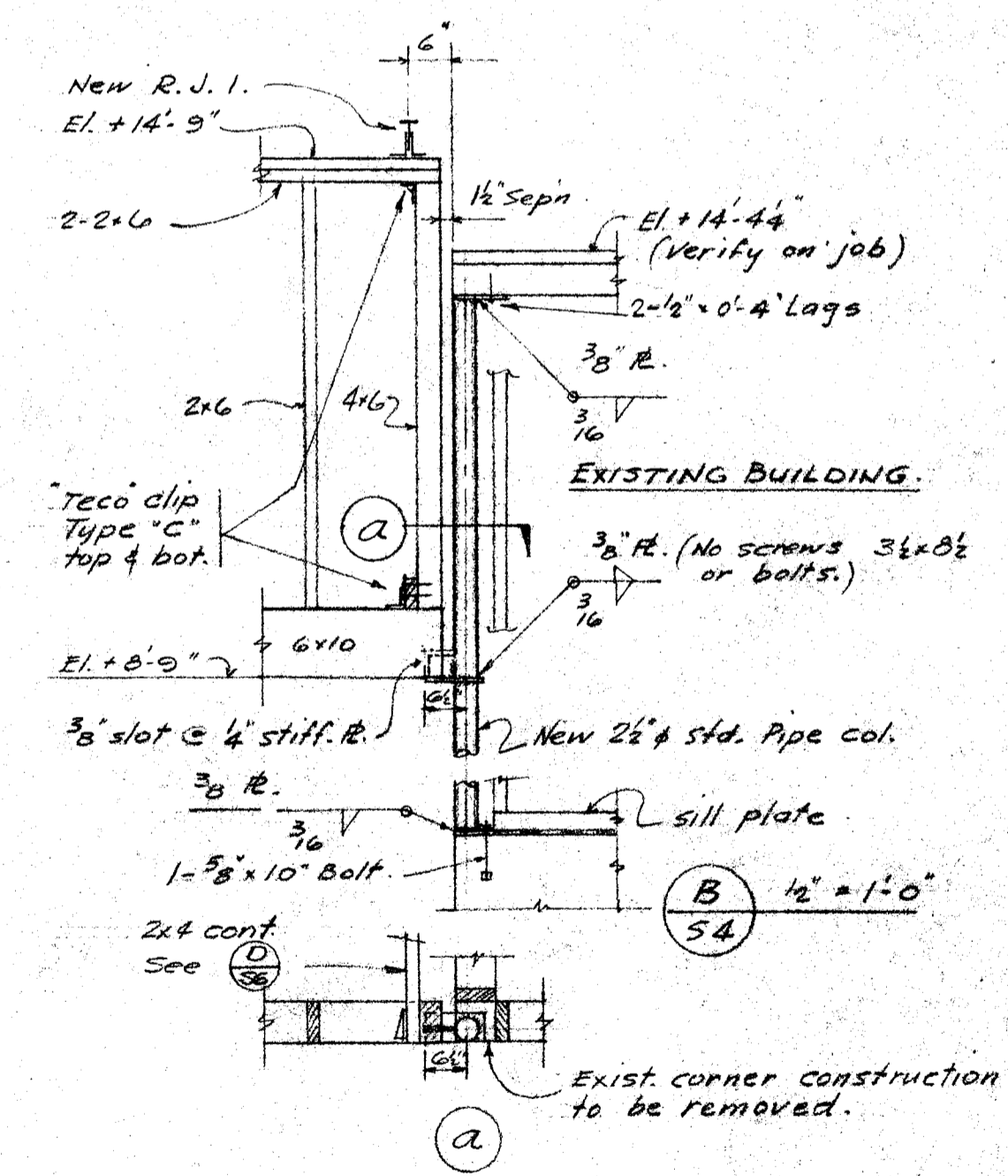
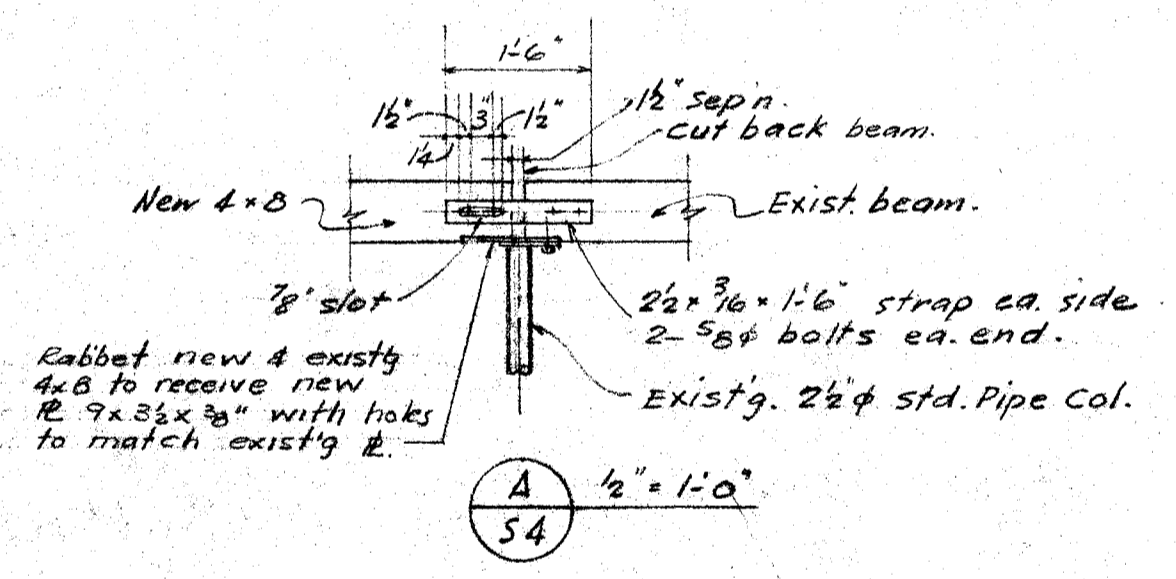


ROOF FRAMING PLAN - CLASSROOMS #1 THRU #8.
SCALE - 1/8" = 1'-0"



NOTES: REFER & CHECK WITH ARCHITECTURAL DRAWINGS FOR ROOF SLOPES, GUTTERS, VENTS, SADDLES ETC. AND DIMENSIONS NOT SHOWN.
All roof sheathing shown diagonal to be laid at 45° angle to roof joists.

DIVISION OF SCHOOL HOUSE PLANNING CONTRACTOR IS TO VERIFY ALL DIMENSIONS ON THE WORK. THIS DRAWING IS THE PROPERTY OF THE ARCHITECT AND MUST BE RETURNED ON COMPLETION OF THE CONTRACT.	STATE OF CALIFORNIA - DEPARTMENT OF PUBLIC WORKS DIVISION OF ARCHITECTURE APPROVED NOV 6 1955 Harry M. ...	COUNTY SUPERINTENDENT OF SCHOOLS	BOARD OF TRUSTEES FINAL APPROVAL Virginia C. ...	HILLMAN & NOWELL STRUCTURAL ENGINEERS BAKERSFIELD, CALIFORNIA	FRANKLIN SCHOOL ADDITION BAKERSFIELD CITY SCHOOL DISTRICT BAKERSFIELD CALIFORNIA	C. B. ALFORD • ARCHITECT • W. J. THOMAS 602 HABERFELDE BUILDING BAKERSFIELD PHONE 2-1302 CALIFORNIA
--	---	----------------------------------	---	--	--	---