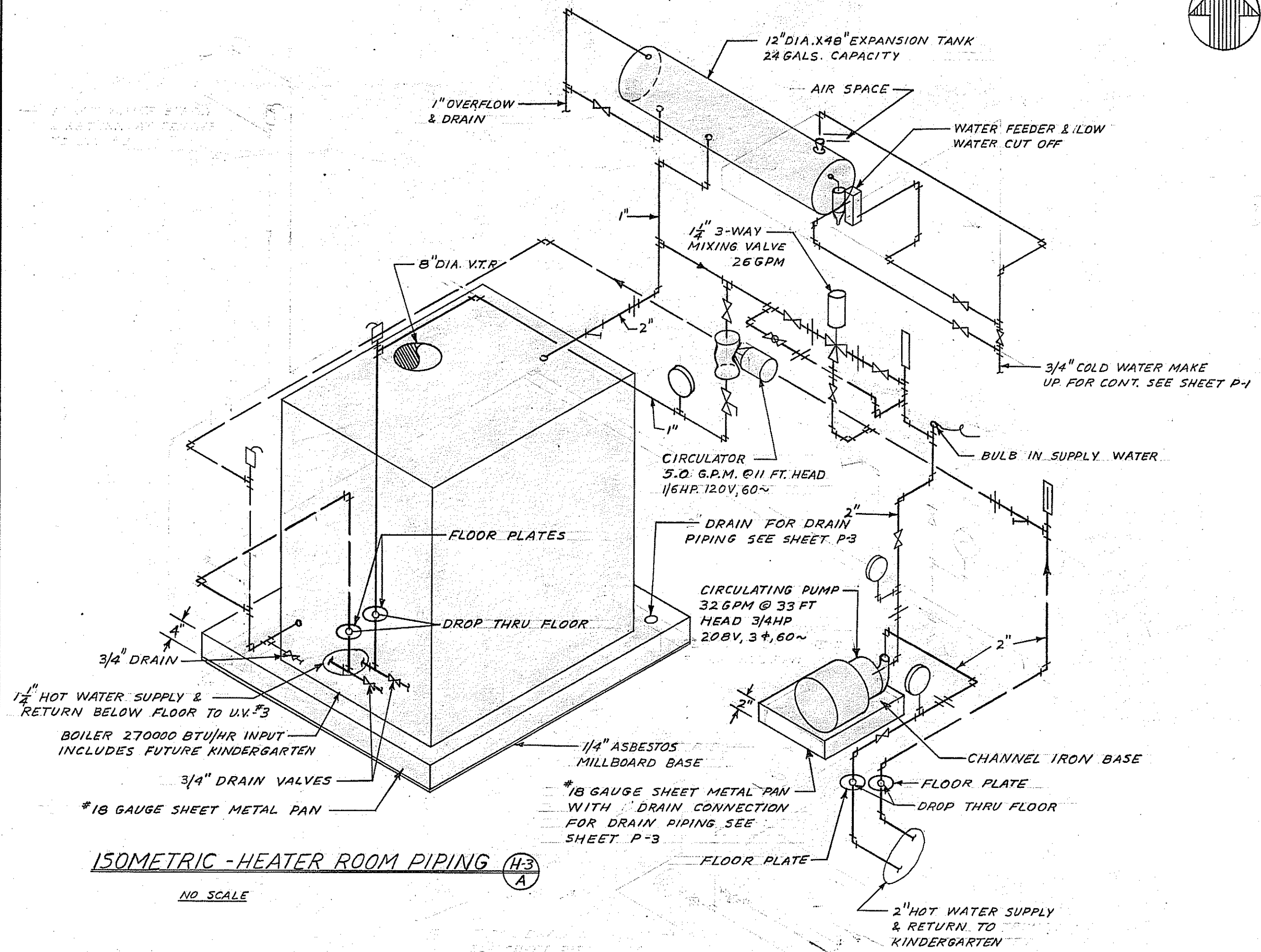
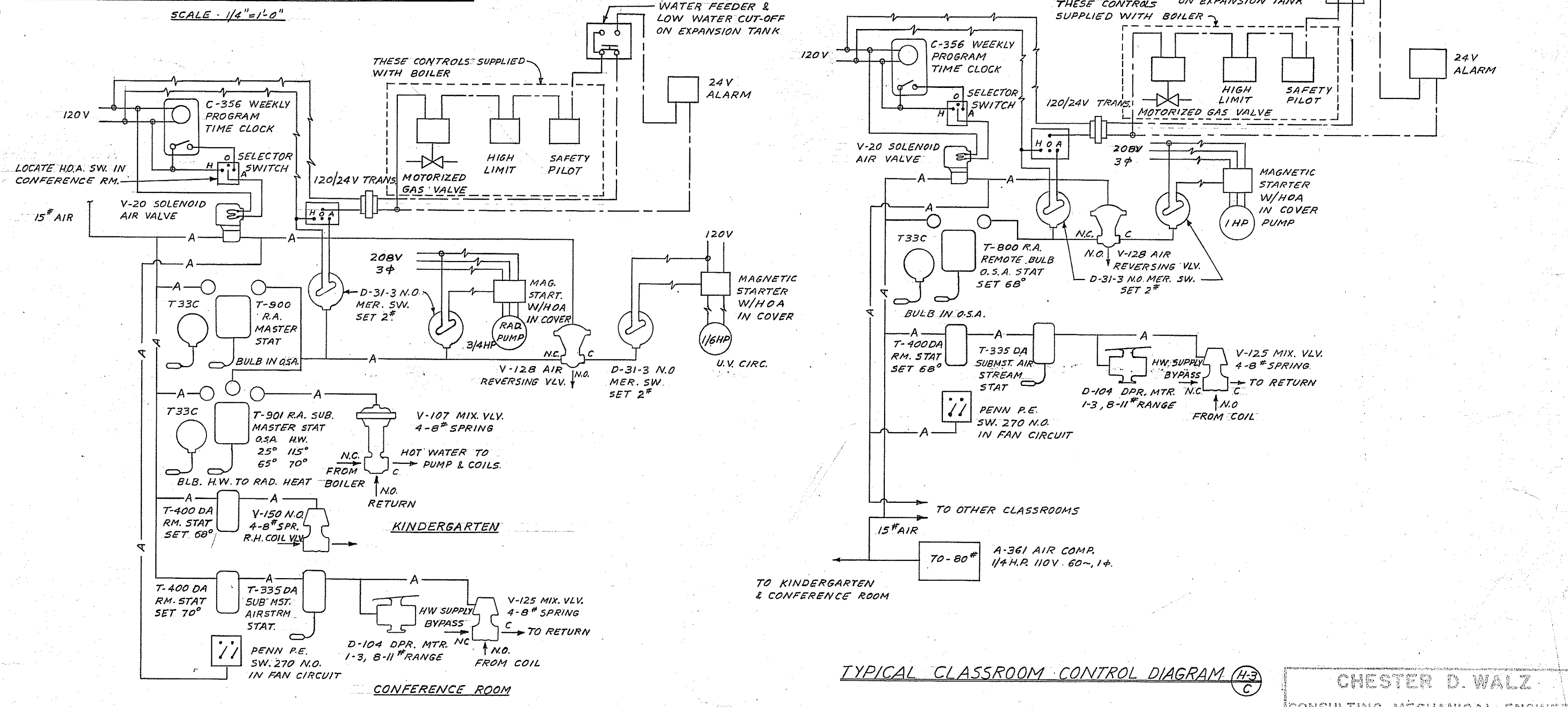


HEATING FLOOR PLAN - KITCHEN & STORAGE  
SCALE - 1/4" = 1'-0"

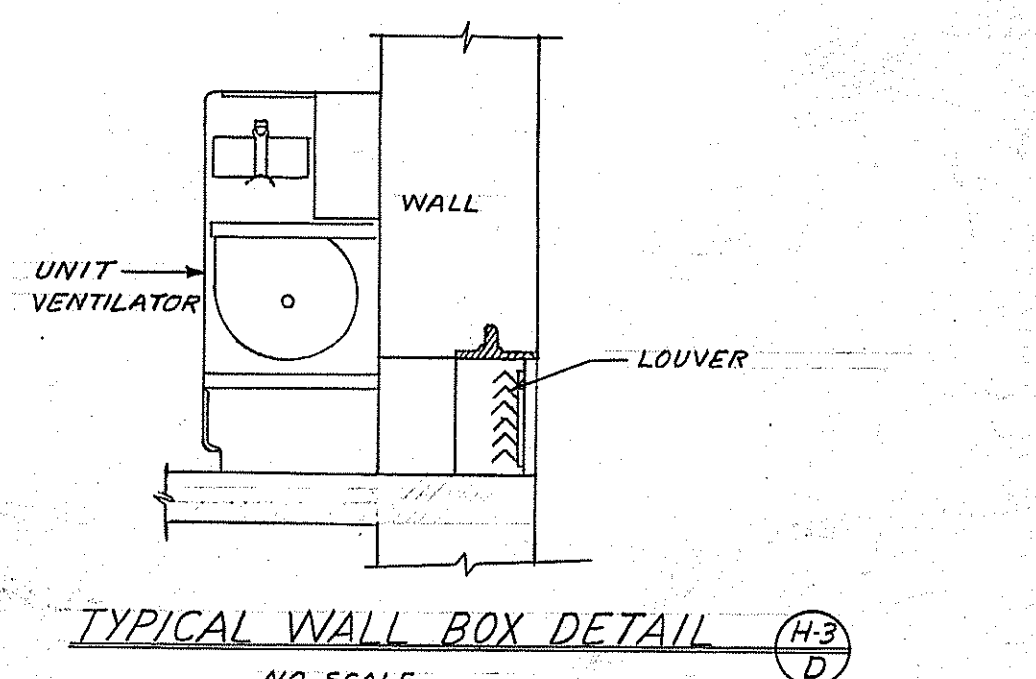


ISOMETRIC - HEATER ROOM PIPING (H3 A)  
NO SCALE

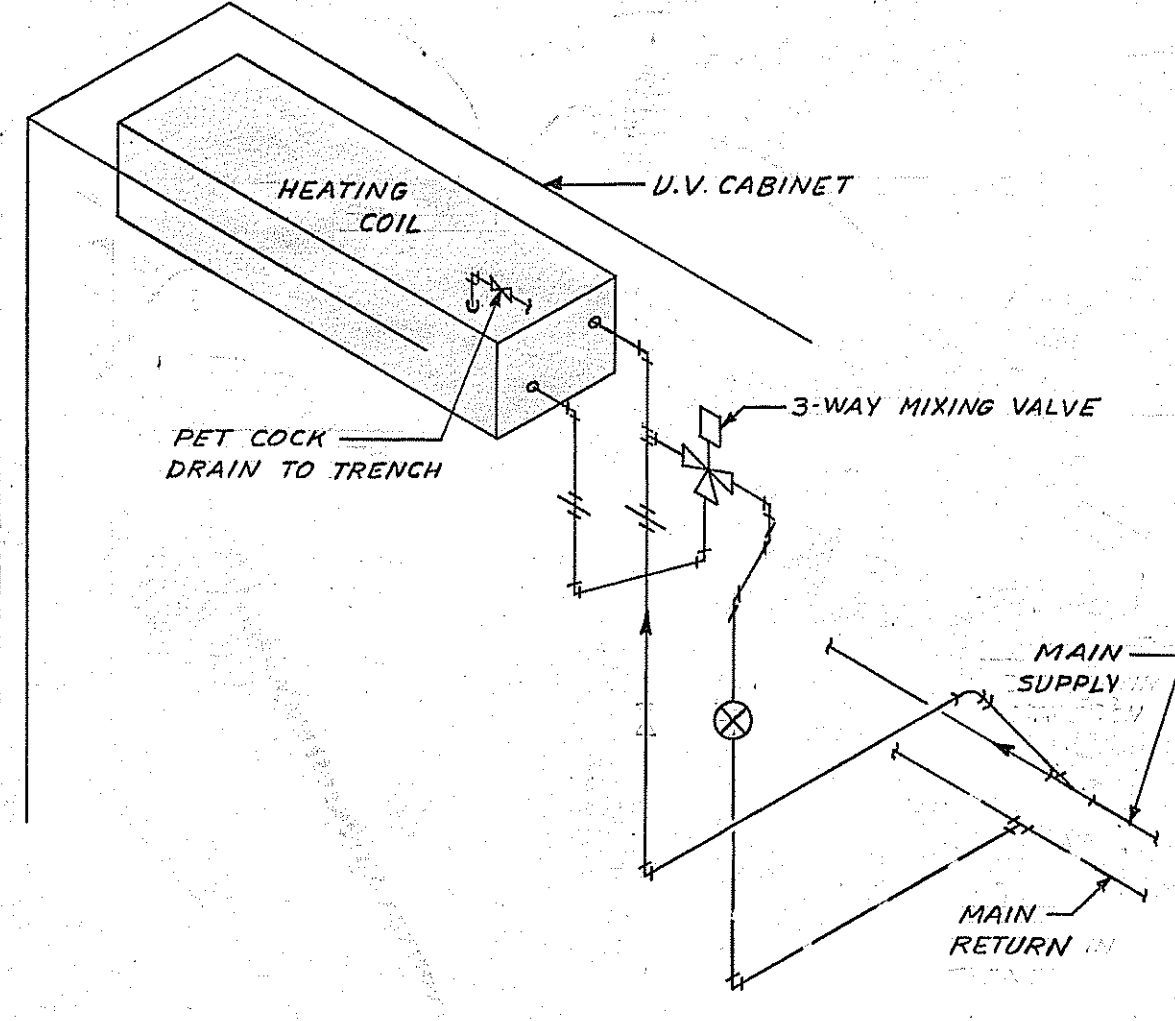


KINDERGARTEN & CONFERENCE ROOM CONTROL DIAGRAM (H3 B)

TYPICAL CLASSROOM CONTROL DIAGRAM (H3 C)



TYPICAL WALL BOX DETAIL (H3 D)  
NO SCALE



TYPICAL UNIT VENTILATOR PIPING (H3 E)  
NO SCALE

NOTE: CONTRACTOR IS TO VERIFY ALL DIMENSIONS ON THE WORK. THIS DRAWING IS THE PROPERTY OF THE ARCHITECT AND MUST BE RETURNED ON COMPLETION OF THE CONTRACT.

DIVISION OF SCHOOL HOUSE PLANNING

STATE OF CALIFORNIA - DEPARTMENT OF PUBLIC WORKS  
DIVISION OF ARCHITECTURE  
APPROVED NOV 6 - 1953  
11380  
*Harry W. Behl*  
REGISTERED PROFESSIONAL ENGINEER

BOARD OF TRUSTEES  
FINAL APPROVAL  
*John J. Little*  
*Virginia C. Billingsley*

COUNTY SUPERINTENDENT OF SCHOOLS

FRANKLIN SCHOOL ADDITION  
BAKERSFIELD CITY SCHOOL DISTRICT  
BAKERSFIELD CALIFORNIA

*C.B. Alford*  
G. B. ALFORD • ARCHITECT • W. J. THOMAS  
602 HABERFELDE BUILDING BAKERSFIELD CALIFORNIA  
PHONE 2-1302

SHEET No. H3

CHESTER D. WALZ  
CONSULTING MECHANICAL ENGINEER  
800 SO. FIGUEROA ST. LOS ANGELES  
DESIGNED BY *J.K.*  
DRAWN BY *K.R.P.*  
DATE 8-24-53  
CALIF. REG. M.E. # *886*