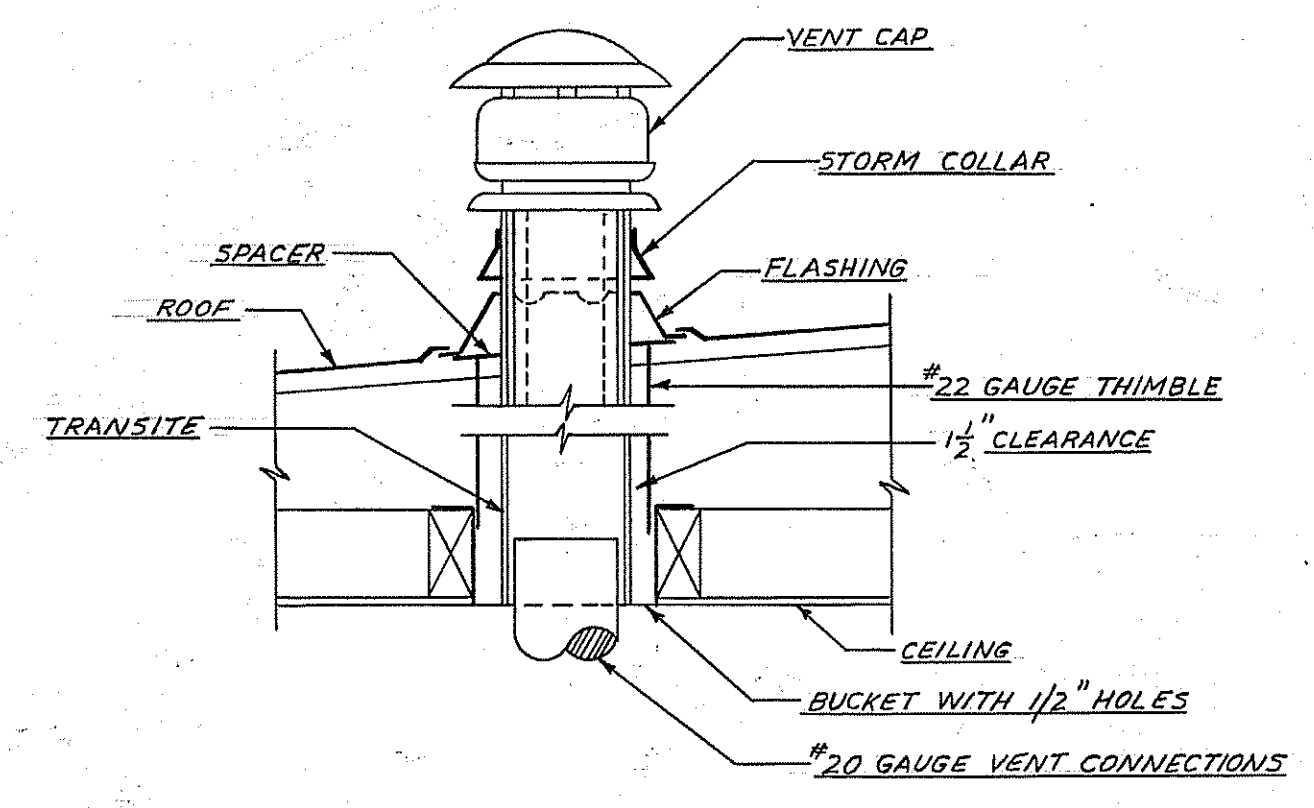


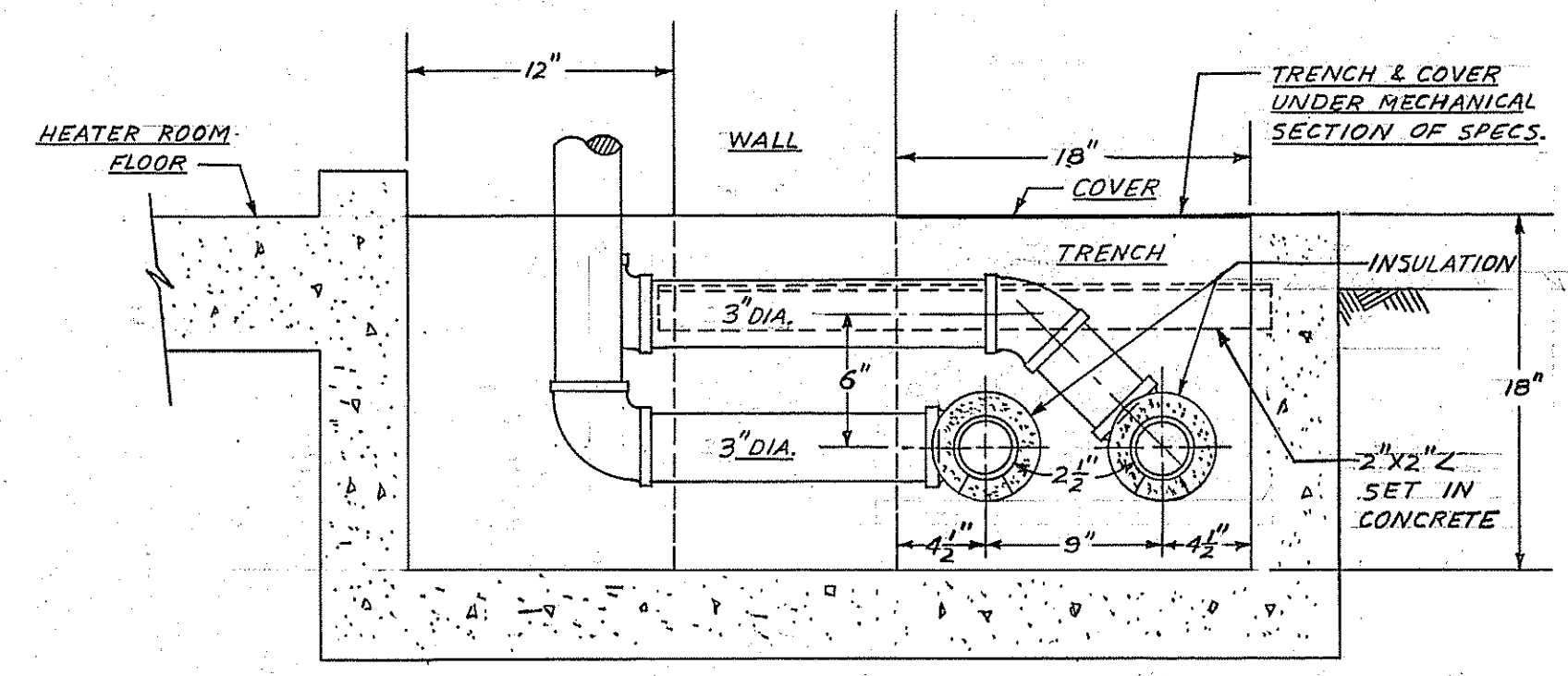
HEATING SYMBOLS	
	HOT WATER
	HOT WATER RETURN
	GAS LINE
	AIR LINE
	COLD WATER LINE
	DIRECTION OF FLOW
	LINE VOLTAGE
	LOW VOLTAGE
	GATE VALVE
	GLOBE VALVE
	CHECK VALVE
	LUBRICATED BALANCING COCK
	CONTROL VALVE
	GAS PRESSURE REGULATOR
	GAS COCK
	SOLENOID VALVE
	BALANCING FITTING
	STRAINER
	AIR VENT
	THERMOSTAT
	THERMOMETER
	PRESSURE GAUGE
	VENT THROUGH ROOF
	COMBUSTION AIR
	FRESH AIR
	UNIT VENTILATOR
	HAND OFF AUTOMATIC
	NORMALLY CLOSED
	NORMALLY OPEN
	OUTSIDE AIR
	REVERSE ACTING
FOR SYMBOLS NOT SHOWN REFER TO A.S.A. BULLETIN Z-32-2	

NOTE:
COORDINATE TRENCHES
& TRENCH COVER PLATES
WITH STRUCTURAL.

HEATING FLOOR PLAN - CLASSROOM
SCALE 1/8" = 1'-0"



STACK DETAIL (H-1) B
NO SCALE



SECTION (H-1) A
SCALE 1/2" = 1'-0"

NOTE:
DETAIL TYPICAL FOR ALL
BRANCHES EXCEPT MAXIMUM
PIPE SIZE IS INDICATED

UNIT VENTILATOR SCHEDULE										
NO.	NESBITT TYPE	MODEL NO.	C.F.M. STD. AIR	FAN MOTOR	COIL VALVE	GPM MBH	FILTER	CONN. SIZE	WALL BOX SIZE	% MIN. F.A.
1	NR	572	1000	150W	3/16"	10	61.00 FARR AIR	1"	2-25X10 3/8"	25
2	NR	572	1000	150W	3/16"	7	55.14 FARR AIR	1"	2-25X10 3/8"	25
3	NR	564	750	112W	1/2"	5	32.5 FARR AIR	1"	41"X10 3/8"	40

CHESTER D. WALZ
CONSULTING MECHANICAL ENGINEER
500 SO. FIGUEROA ST. LOS ANGELES

DESIGNED JK	By <i>EBHilton</i>	DATE 8-24-53
DRAWN KRP	CALIF. REG. M.E. 70	CHECKED CDB

NOTE: CONTRACTOR IS TO VERIFY ALL DIMENSIONS ON THE WORK. THIS DRAWING IS THE PROPERTY OF THE ARCHITECT AND MUST BE RETURNED ON COMPLETION OF THE CONTRACT.	DIVISION OF SCHOOL HOUSE PLANNING	STATE OF CALIFORNIA - DEPARTMENT OF PUBLIC WORKS DIVISION OF ARCHITECTURE APPROVED NOV 6 - 1953 <i>Henry M. Carl</i> CIVIL ENGINEER	BOARD OF TRUSTEES F. J. NAL. APPROVAL <i>A. L. Tate</i> <i>Virginia C. Bellinger</i>	COUNTY SUPERINTENDENT OF SCHOOLS	FRANKLIN SCHOOL ADDITION BAKERSFIELD CITY SCHOOL DISTRICT BAKERSFIELD CALIFORNIA	C. B. ALFORD • ARCHITECT • W. J. THOMAS 602 HABERFELDE BUILDING BAKERSFIELD CALIFORNIA	PHONE 2-1302 CALIFORNIA	H 1
---	-----------------------------------	---	---	----------------------------------	--	---	----------------------------	------------