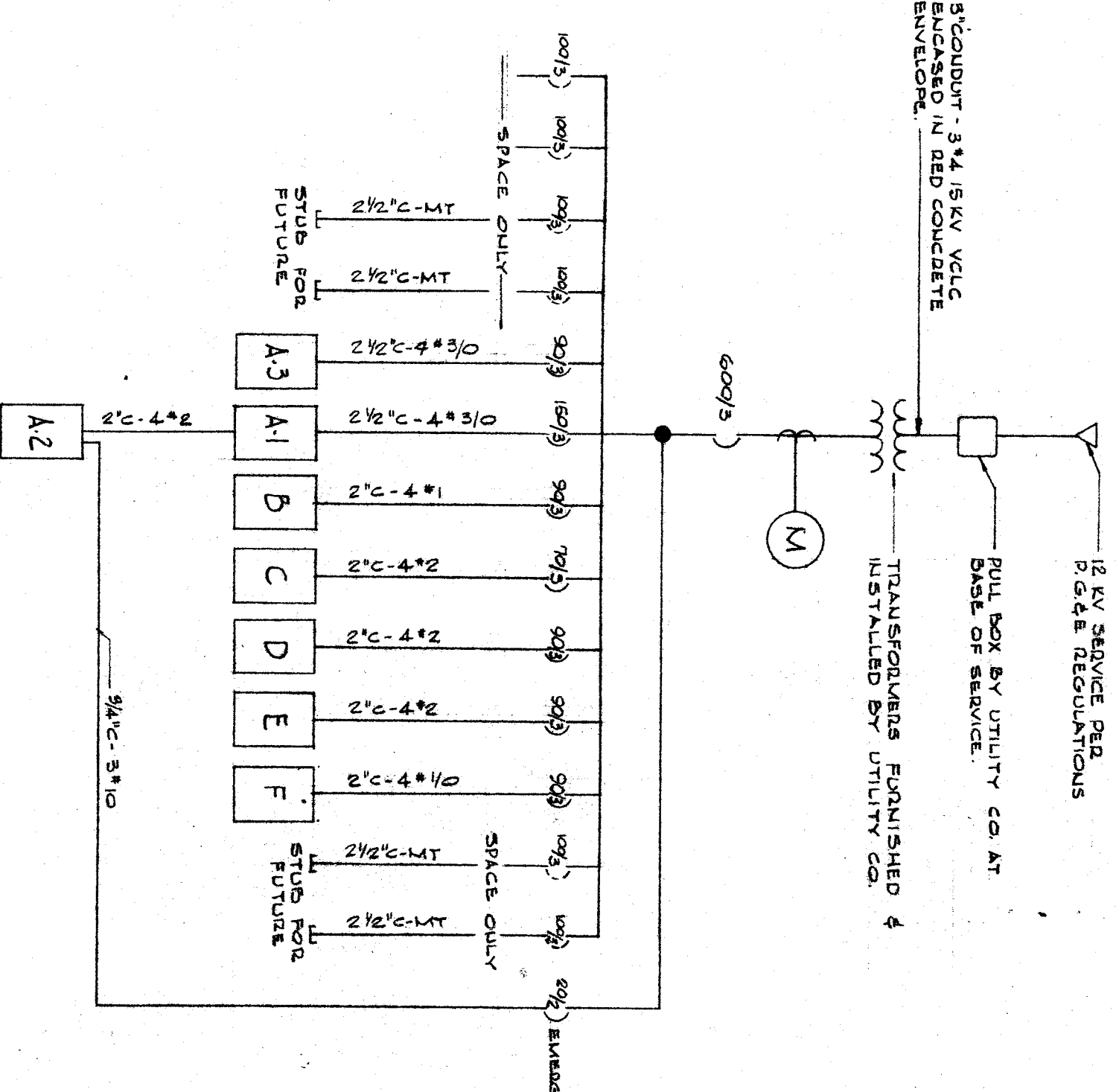
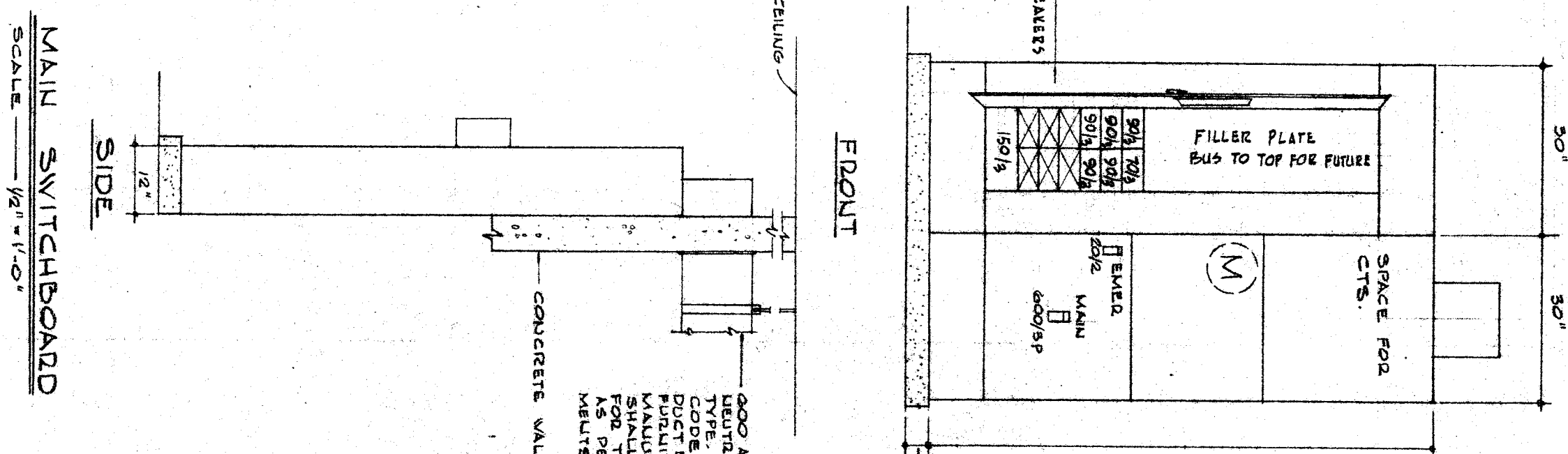


PLAT PLAN  
SCALE 1/4" = 1'-0"



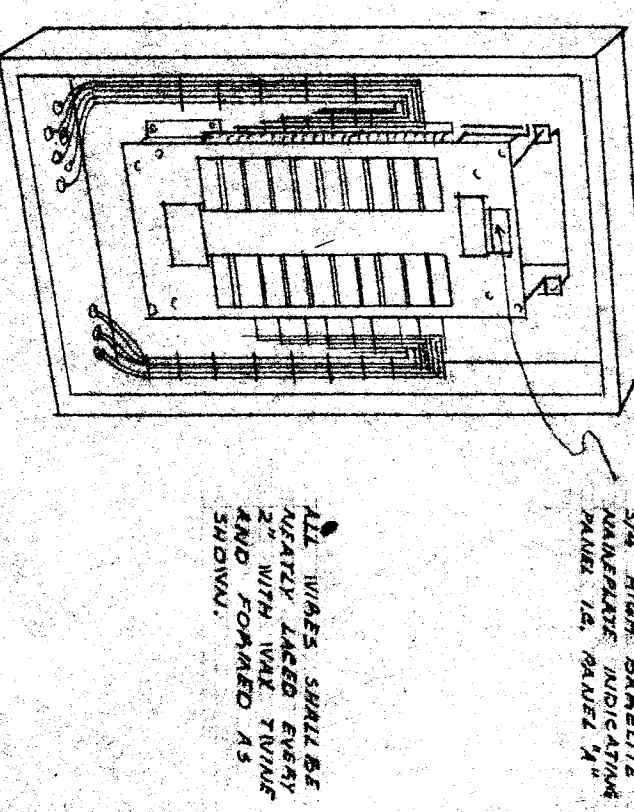
DISPER & FEEDER SCHEDULE  
NO SCALE



MAIN SWITCHBOARD  
SCALE 1/2" = 1'-0"

PANEL	DESCRIPTION	FEDER
A-1	NL-1B-1B FUSION MOUNTED 3/4" 4W 120/200V 3W LINE DIAGONAL	4#3/0
A-2	NL-1B-1B FUSION MOUNTED 3/4" 1W 120/200V 3W 10A 1P	4#2
A-3	NL-1B-1B FUSION MOUNTED 3/4" 4W 120/200V 3W 10A 1P 3W 20A 3P 1#2 3W 20A 3P 1#2	4#3/0
B	NL-1B-1B FUSION MOUNTED 3/4" 4W 120/200V 3W 10A 1P 3W 20A 3P 1#2	4#1
C	NL-1B-1B FUSION MOUNTED 3/4" 1W 120/200V 3W 10A 1P 3W 20A 3P 1#2	4#2
D	NL-1B-1B FUSION MOUNTED 3/4" 4W 120/200V 3W 10A 1P 3W 20A 3P 1#2	4#2
E	NL-1B-1B FUSION MOUNTED 3/4" 1W 120/200V 3W 10A 1P 3W 20A 3P 1#2	4#2
F	NL-1B-1B FUSION MOUNTED 3/4" 4W 120/200V 3W 10A 1P 3W 20A 3P 1#2	4#1/0

TYPE	DESCRIPTION	LAMP	MTG
d	LED LIGHT FIXTURE 400-450	4/100	CEILING
b	PROSCOUTE "COMMON LIGHT"	150	RECESSED
c	SOLID STATE "COMMON LIGHT"	2/100	CEILING
d	SOLID STATE "COMMON LIGHT"	2/100	CEILING
e	RECESSED	150	CEILING
f	RECESSED	150	CEILING
g	RECESSED	150	CEILING
h	RECESSED	150	CEILING
i	RECESSED	150	CEILING
j	RECESSED	150	CEILING
k	RECESSED	150	CEILING
l	RECESSED	150	CEILING
m	RECESSED	150	CEILING
n	RECESSED	150	CEILING
o	RECESSED	150	CEILING
p	RECESSED	150	CEILING
q	RECESSED	150	CEILING
r	RECESSED	150	CEILING
s	RECESSED	150	CEILING
t	RECESSED	150	CEILING
u	RECESSED	150	CEILING
v	RECESSED	150	CEILING
w	RECESSED	150	CEILING
x	RECESSED	150	CEILING
y	RECESSED	150	CEILING
z	RECESSED	150	CEILING
aa	RECESSED	150	CEILING



TYPICAL PANEL WIRING METHOD

**ELECTRICAL SYMBOLS**  
 1. WIRE NUMBER  
 2. WIRE TYPE  
 3. WIRE SIZE  
 4. WIRE COLOR  
 5. WIRE IDENTIFICATION  
 6. WIRE CONNECTION  
 7. WIRE TERMINATION  
 8. WIRE PROTECTION  
 9. WIRE SUPPORT  
 10. WIRE BUNDLE  
 11. WIRE TRAY  
 12. WIRE RACEWAY  
 13. WIRE MANHOLE  
 14. WIRE ENCLOSURE  
 15. WIRE PULL BOX  
 16. WIRE JUNCTION BOX  
 17. WIRE TRANSFORMER  
 18. WIRE GENERATOR  
 19. WIRE MOTOR  
 20. WIRE SWITCH  
 21. WIRE BREAKER  
 22. WIRE FUSE  
 23. WIRE RELAY  
 24. WIRE CONTACTOR  
 25. WIRE THERMOSTAT  
 26. WIRE PHOTOCELL  
 27. WIRE PHOTOEYE  
 28. WIRE PHOTOEYE  
 29. WIRE PHOTOEYE  
 30. WIRE PHOTOEYE

**CODE RULES & SAFETY NOTES**  
 1. ALL WORK SHALL BE DONE IN ACCORDANCE WITH THE LATEST EDITION OF THE NATIONAL ELECTRICAL CODE (NEC) AND THE CALIFORNIA ELECTRICAL CODE (CEC).  
 2. ALL WORK SHALL BE DONE IN ACCORDANCE WITH THE LATEST EDITION OF THE NATIONAL FIRE ALARM AND SIGNAL CODE (NFPA 72) AND THE CALIFORNIA FIRE ALARM AND SIGNAL CODE (CFAS).  
 3. ALL WORK SHALL BE DONE IN ACCORDANCE WITH THE LATEST EDITION OF THE NATIONAL ELECTRICAL SAFETY CODE (NESC) AND THE CALIFORNIA ELECTRICAL SAFETY CODE (CESC).  
 4. ALL WORK SHALL BE DONE IN ACCORDANCE WITH THE LATEST EDITION OF THE NATIONAL ELECTRICAL SAFETY CODE (NESC) AND THE CALIFORNIA ELECTRICAL SAFETY CODE (CESC).  
 5. ALL WORK SHALL BE DONE IN ACCORDANCE WITH THE LATEST EDITION OF THE NATIONAL ELECTRICAL SAFETY CODE (NESC) AND THE CALIFORNIA ELECTRICAL SAFETY CODE (CESC).

PRINTED FEB 23 1957

OFFICE OF SUPERINTENDENT OF SCHOOLS  
 APPROVED \_\_\_\_\_ DATE \_\_\_\_\_  
 STATE OF CALIFORNIA  
 DEPARTMENT OF PUBLIC WORKS  
 DIVISION OF ARCHITECTURE  
 APPROVED \_\_\_\_\_ DATE \_\_\_\_\_  
 MARK \_\_\_\_\_ DATE \_\_\_\_\_ REVISIONS \_\_\_\_\_  
 DRAWN \_\_\_\_\_ CHECKED \_\_\_\_\_  
 ERNEST L MCCOY A.I.A. ARCHITECT  
 2811 N STREET  
 BAKERSFIELD, CALIFORNIA  
 SHEET NO. \_\_\_\_\_ OF \_\_\_\_\_