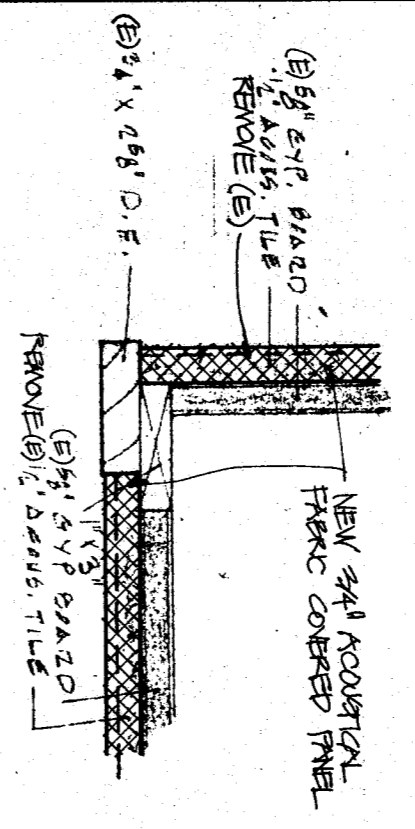
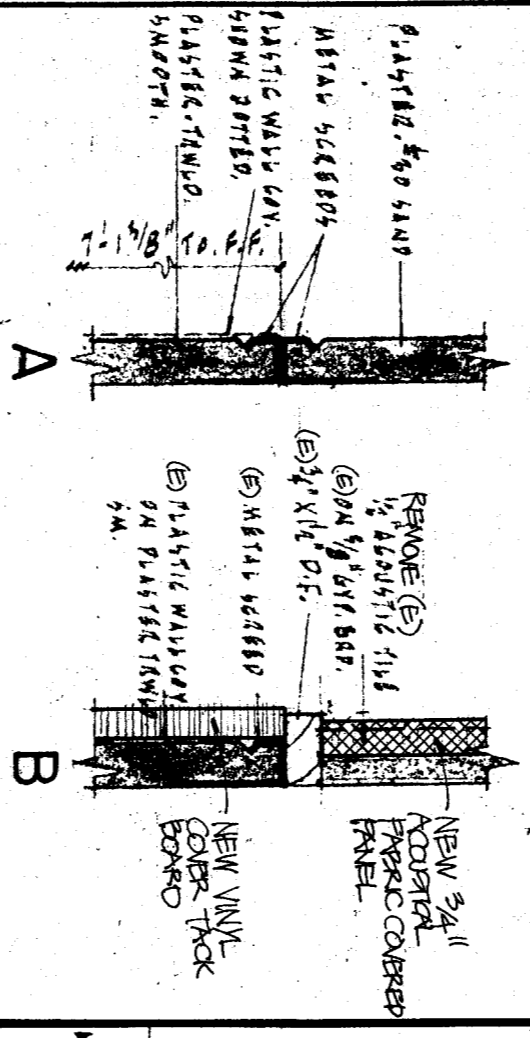


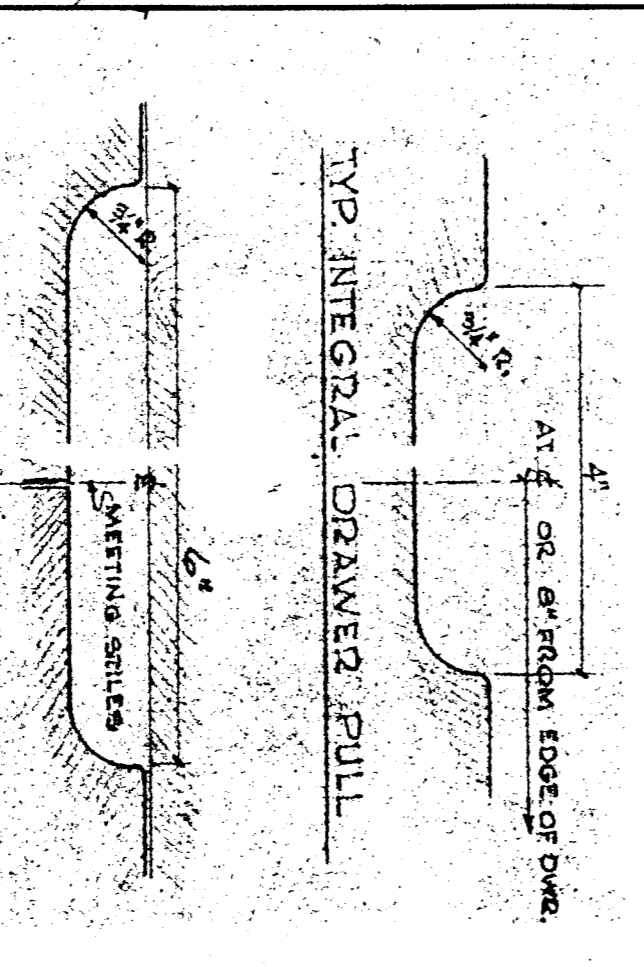
1 THRESHOLD



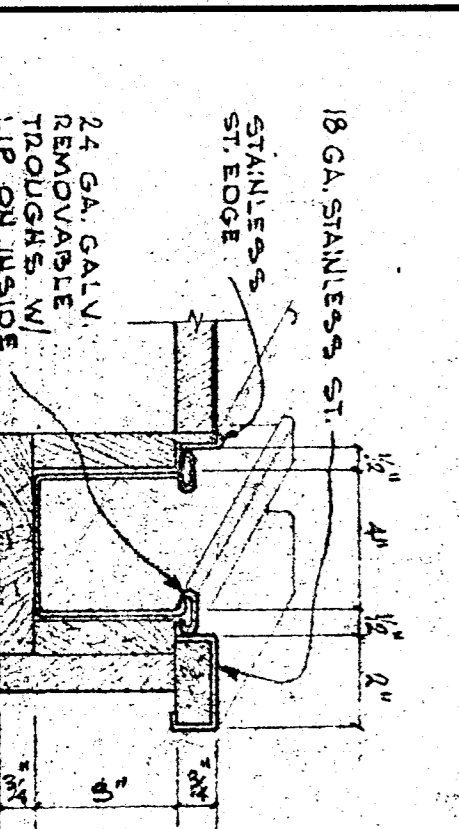
2 TRIM AT SOFFIT



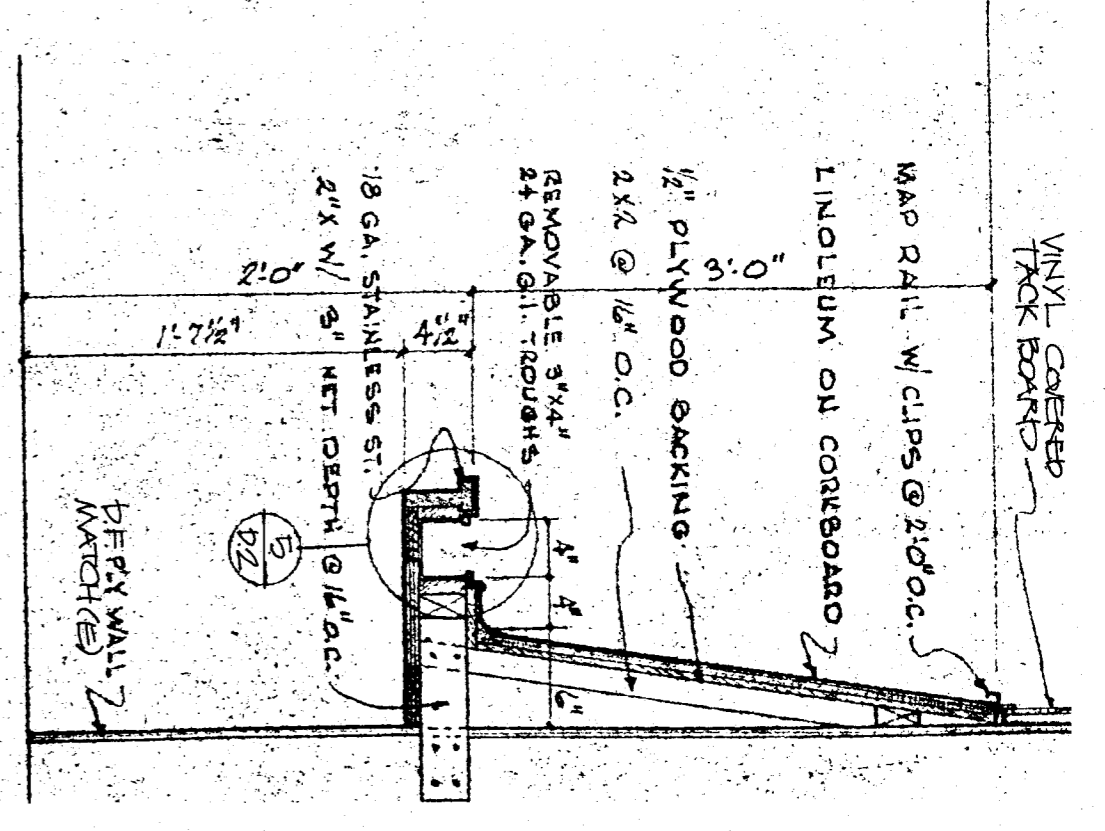
3A, 3B MAINSCOT DETAILS



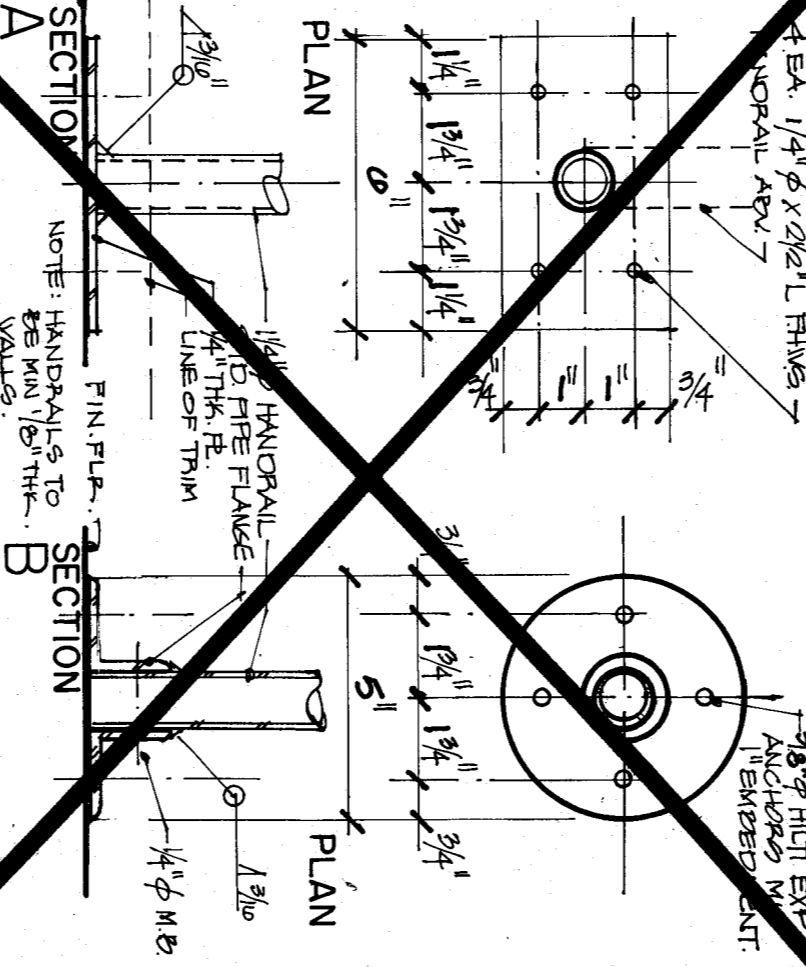
4 TYP. INTEGRAL PULL @ CAB. DOORS



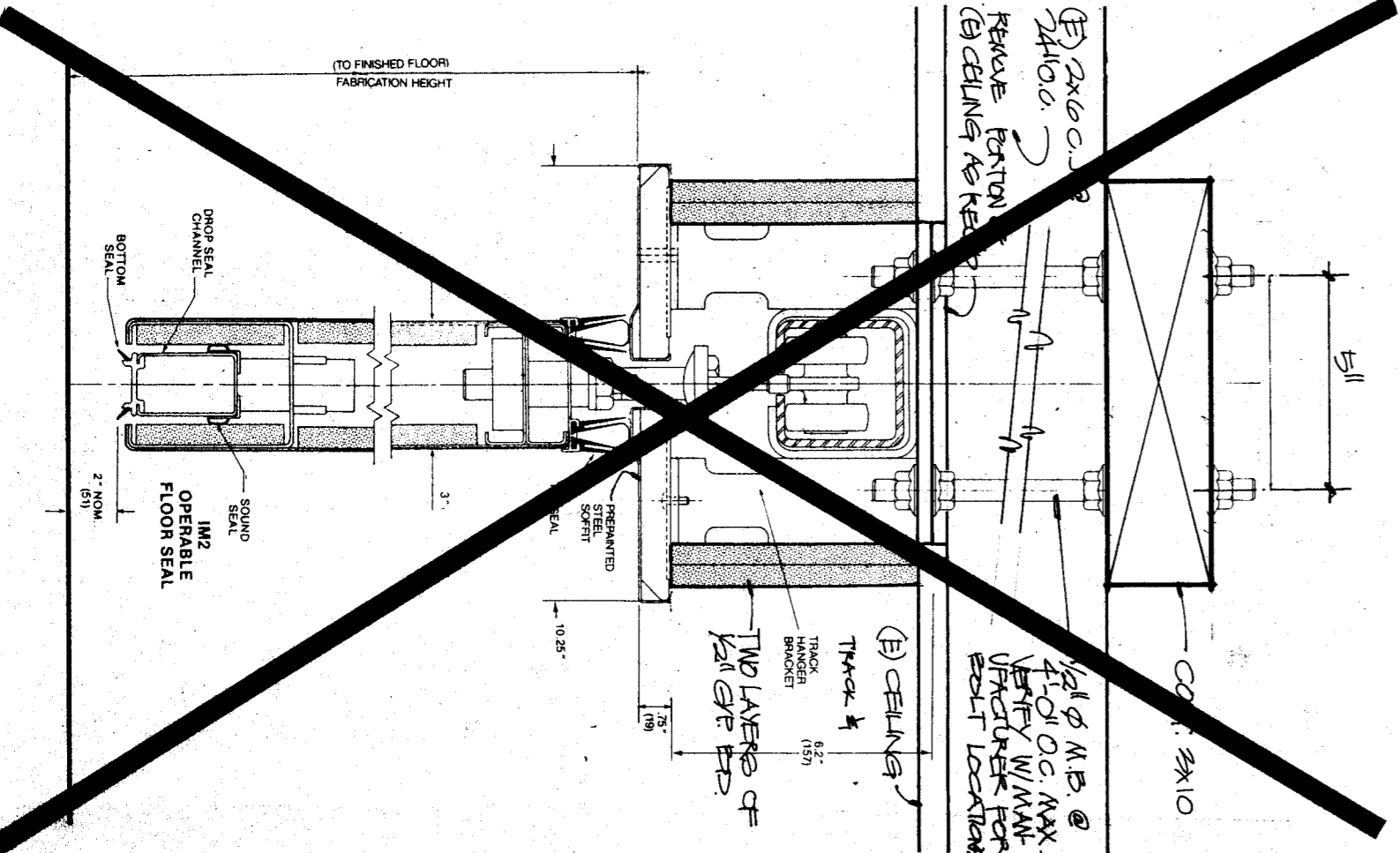
5 REMOVABLE TROUGH



6 EASEL



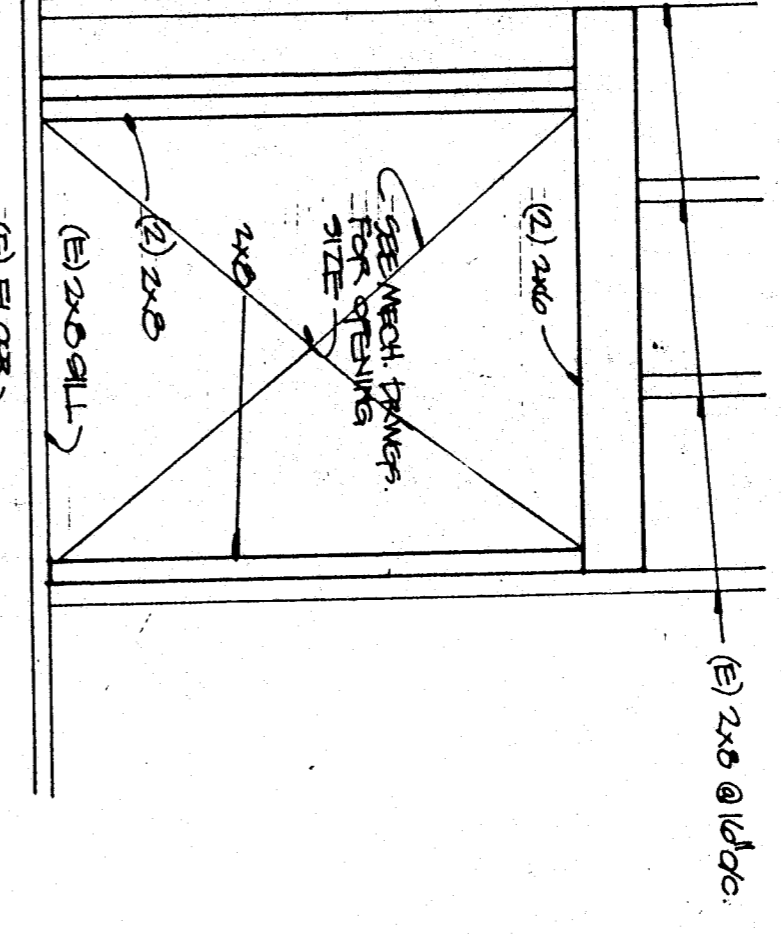
7 HANDRAIL ATTACHMENT



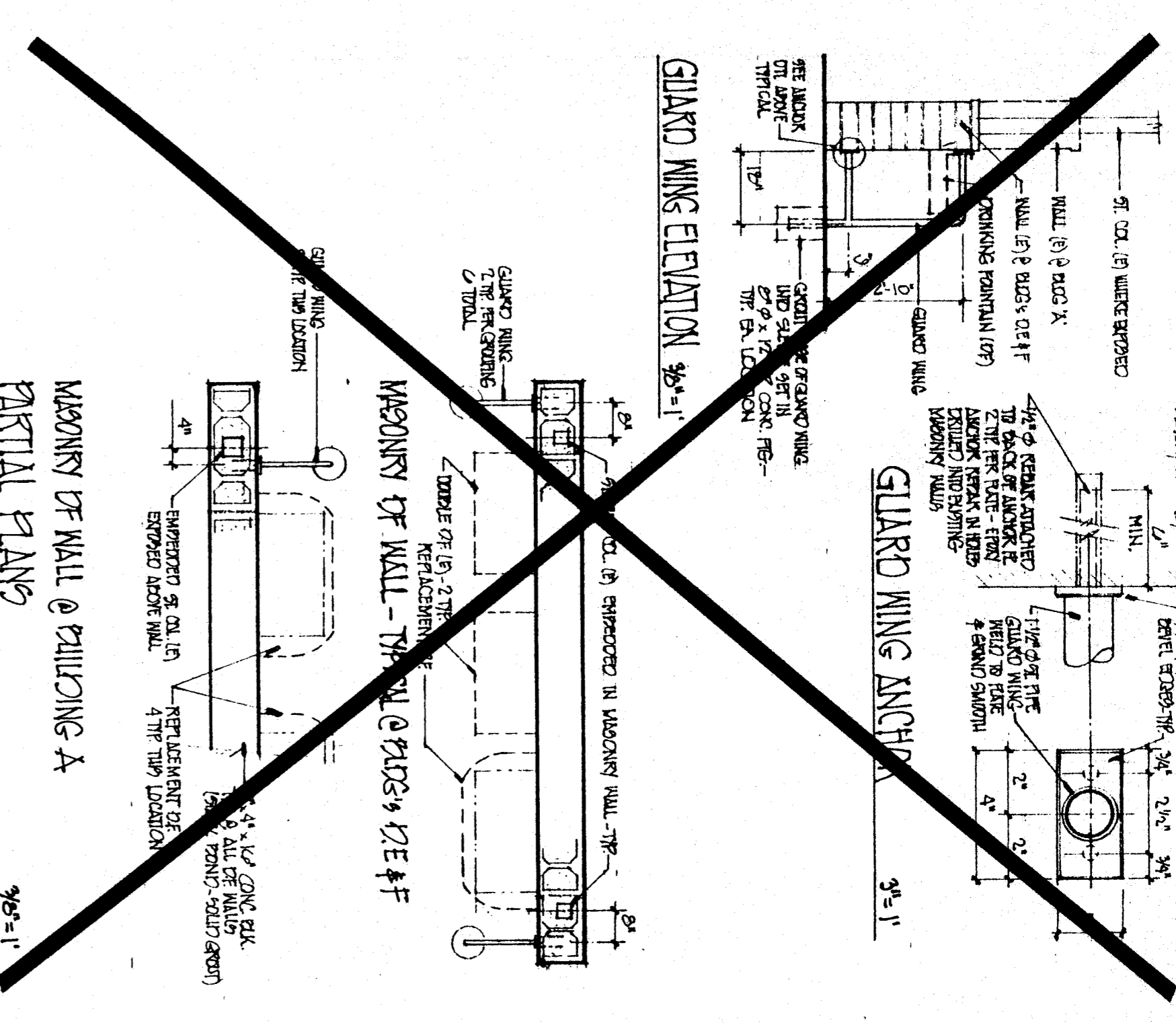
8 OPERABLE WALL SUPPORT

1. ALL NEW WORK TO CONFORM TO U.B.C. 1988 AND C.C.R. AMENDMENTS.
2. ALL HORIZONTAL FRAMING MEMBERS TO BE D.F. #1 OR BETTER. F. #2 OR BETTER. DO NOT CUT ANY EXISTING MEMBERS AND WITHOUT APPROVAL OF ARCHITECT AND OSA INSPECTOR.
3. REFER TO TABLE 25-Q FOR NAILING SCHEDULE.
4. ALL NAILS TO BE COMMON NAILS.
5. EXISTING HORIZONTAL FRAMING MEMBERS ARE ASSUMED TO BE D.F. #1 OR BETTER. VERIFY WITH OSA INSPECTOR.
6. TESTING AGENCY TO BE INDEPENDENT.
7. CONCRETE FOR SLAB ON GRADE TO BE FC = 3000 P.S.I. AT 28 DAYS. DESIGN MIX DESIGN PER LIMITING PROPORTIONS PER TABLE 26-3-3.

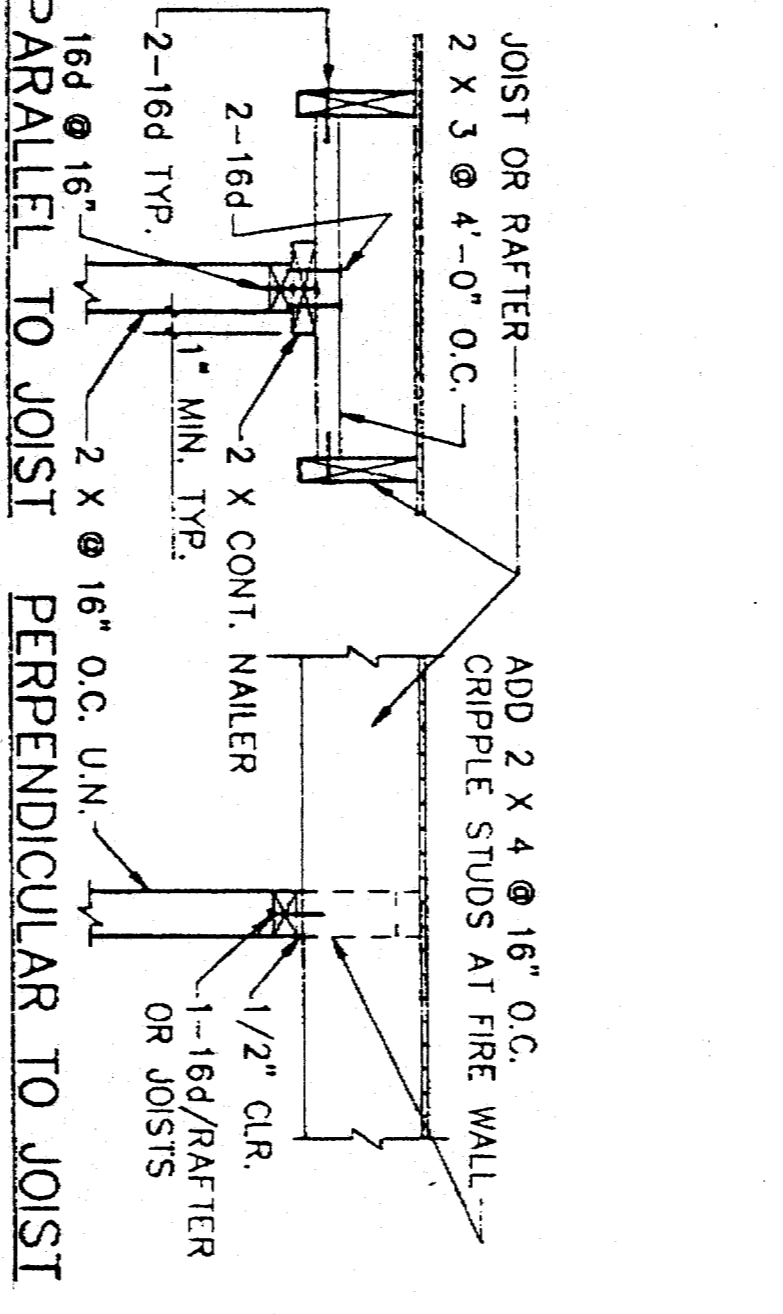
9 STRUCTURAL NOTES



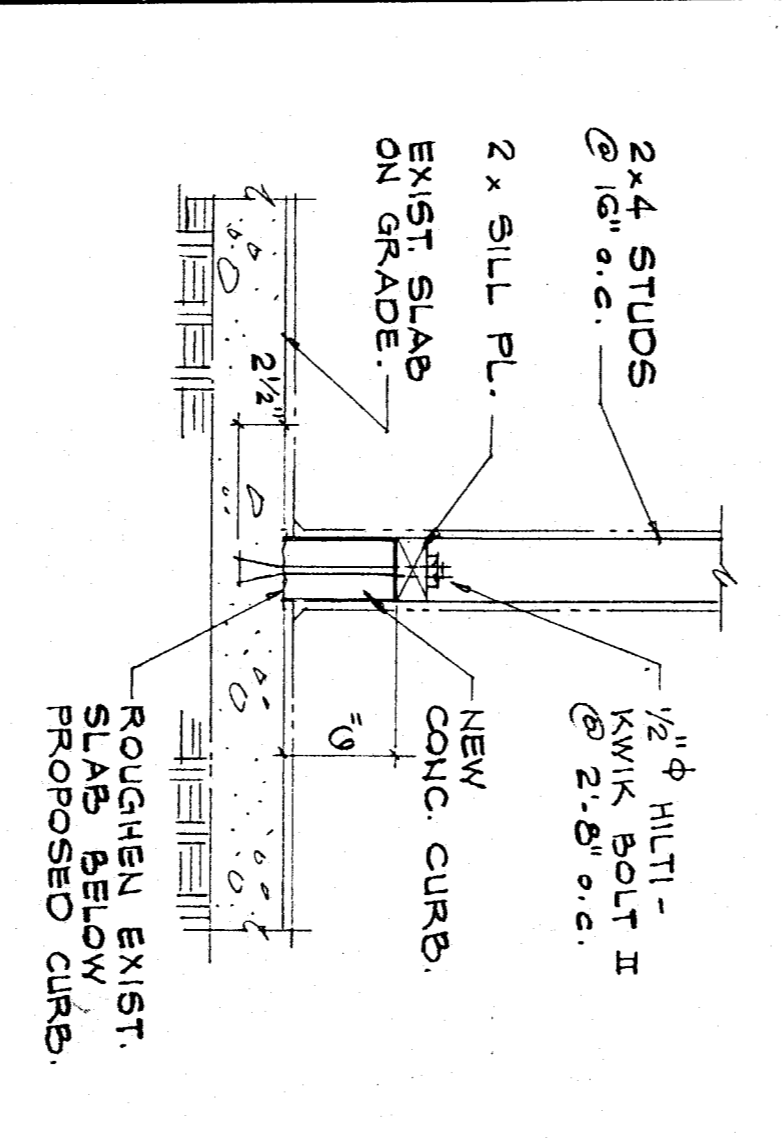
10 FRAMED OPENING



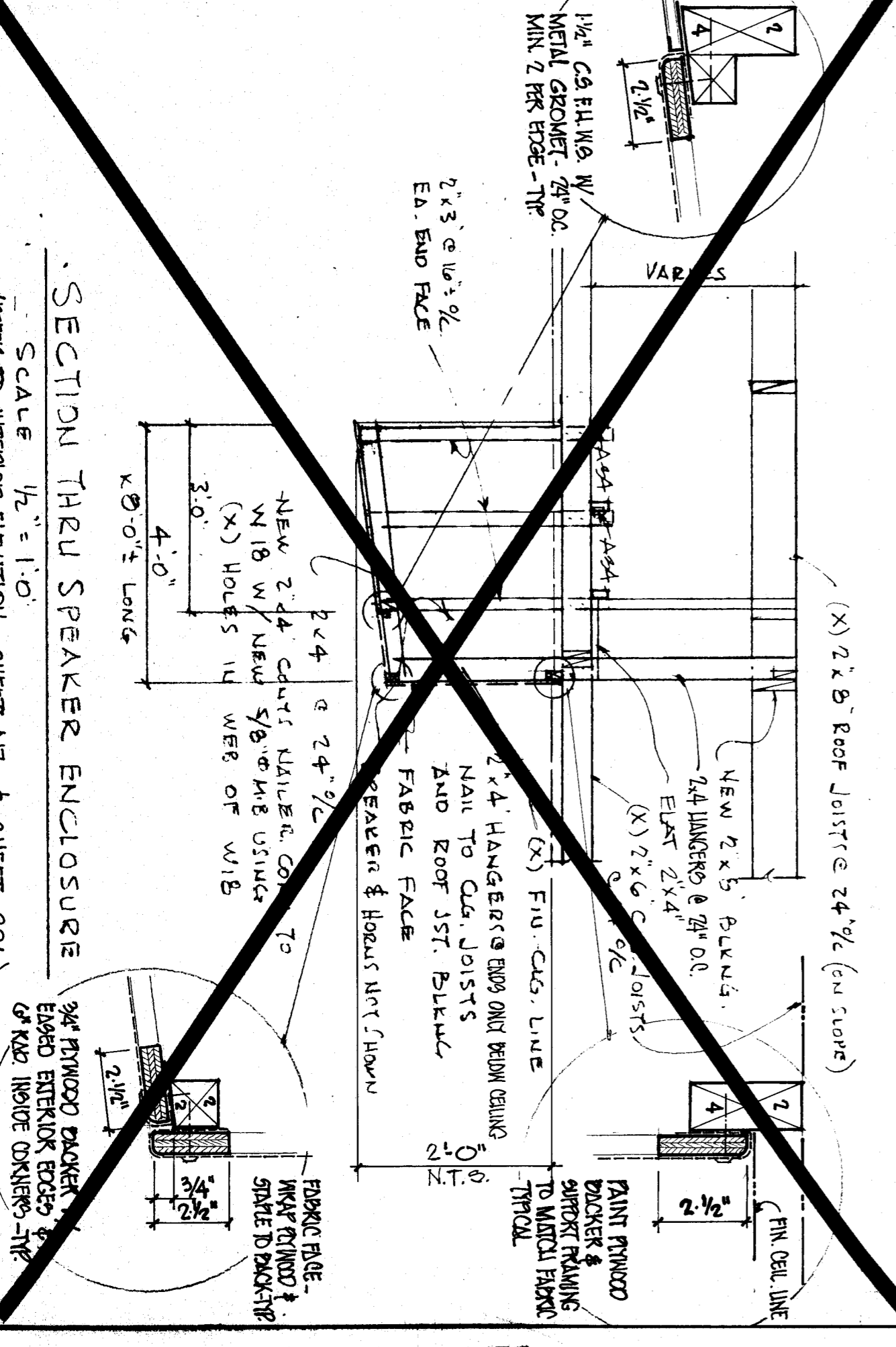
13 DRINKING FOUNTAIN GUARD WING



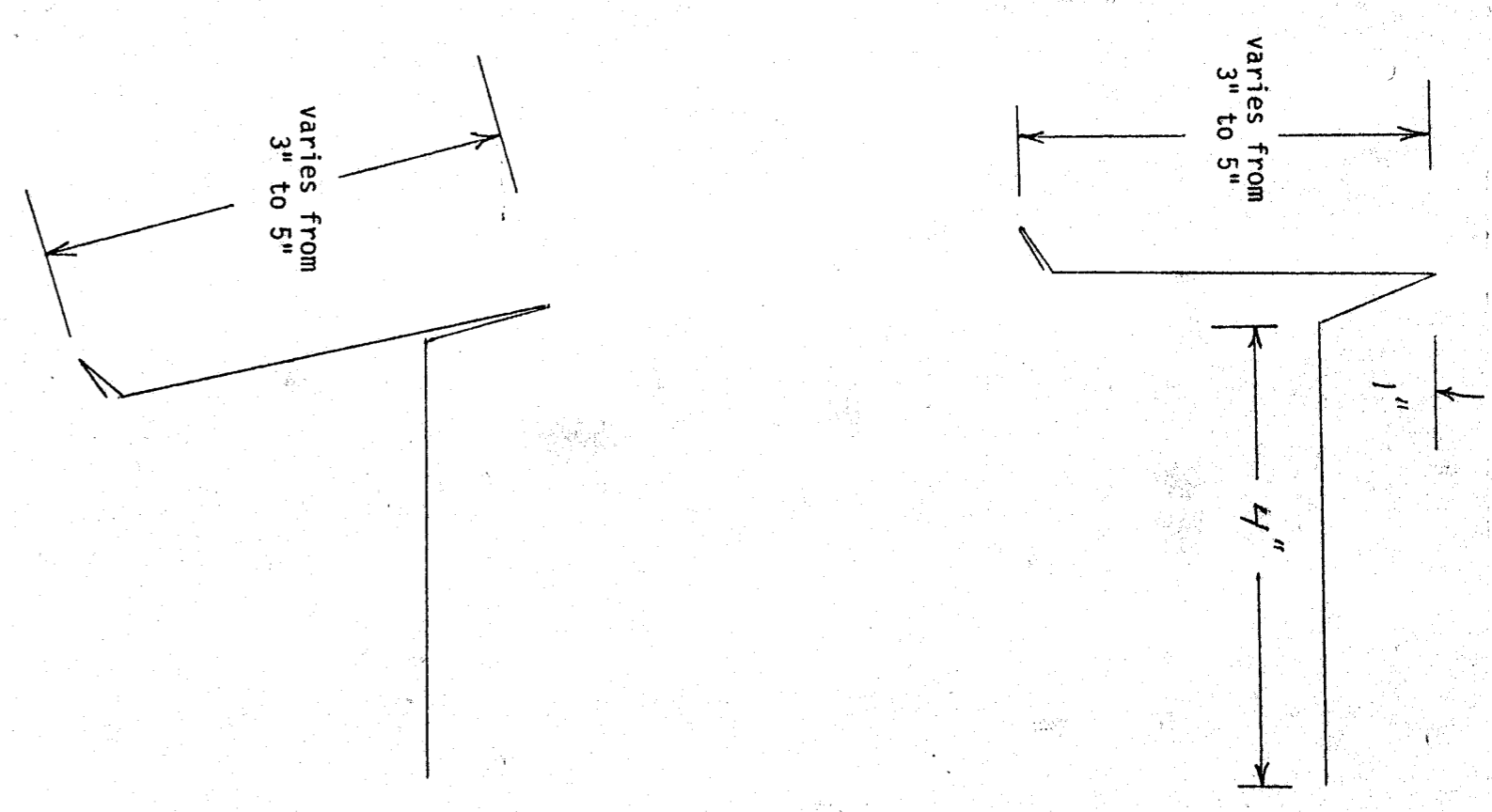
11 PARTITION ATTACHMENT - TOP



14 NEW CONCRETE CURB



12 SPEAKER STRUCTURE



16 ROOF EDGE DRIP FLASHINGS



Frank West Elementary School
Modernization
Bakersfield City School District

DATE	ISSUE FOR
DATE	REVISION

THESE DRAWINGS, RELATED SPECIFICATIONS, IDEAS, DESIGNS, AND ARRANGEMENTS REPRESENTED THEREBY ARE AND SHALL REMAIN THE PROPERTY OF THE ARCHITECT AND NO PART THEREOF SHALL BE COPIED, DISCLOSED TO OTHERS OR USED IN CONNECTION WITH ANY WORK OR PROJECT OTHER THAN THE SPECIFIC PROJECT FOR WHICH THEY HAVE BEEN PREPARED AND DEVELOPED WITHOUT THE WRITTEN CONSENT OF THE ARCHITECT. VISUAL CONTACT WITH THESE DRAWINGS OR SPECIFICATIONS SHALL CONSTITUTE CONCLUSIVE EVIDENCE OF ACCEPTANCE OF THESE RESTRICTIONS.

WRITTEN DIMENSIONS ON THESE DRAWINGS SHALL HAVE PRECEDENCE OVER SCALED DIMENSIONS. CONTRACTORS SHALL VERIFY AND BE RESPONSIBLE FOR ALL DIMENSIONS AND CONDITIONS ON THE JOB AND THIS OFFICE MUST BE NOTIFIED OF ANY VARIATIONS FROM THE DIMENSIONS AND CONDITIONS SHOWN BY THESE DRAWINGS.

DETAILED SHOP DRAWINGS MUST BE SUBMITTED TO THIS OFFICE FOR REVIEW BEFORE PROCEEDING WITH THE FABRICATION OF ANY PRODUCT TO BE INCLUDED IN THIS PROJECT.

pechin associates aia
1400 easton drive suite 138
bakersfield, ca 93309 (805) 322-2021

SHEET P-02
Project Number: 408-0088
Plot Date: