

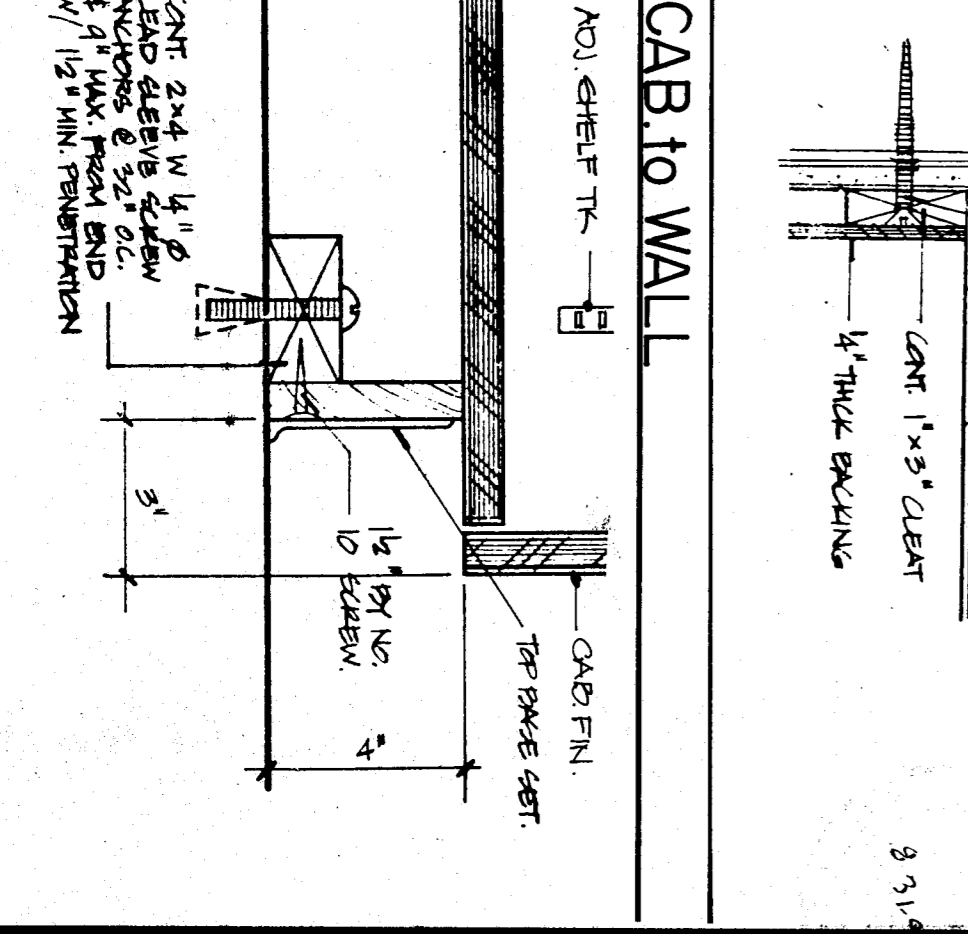
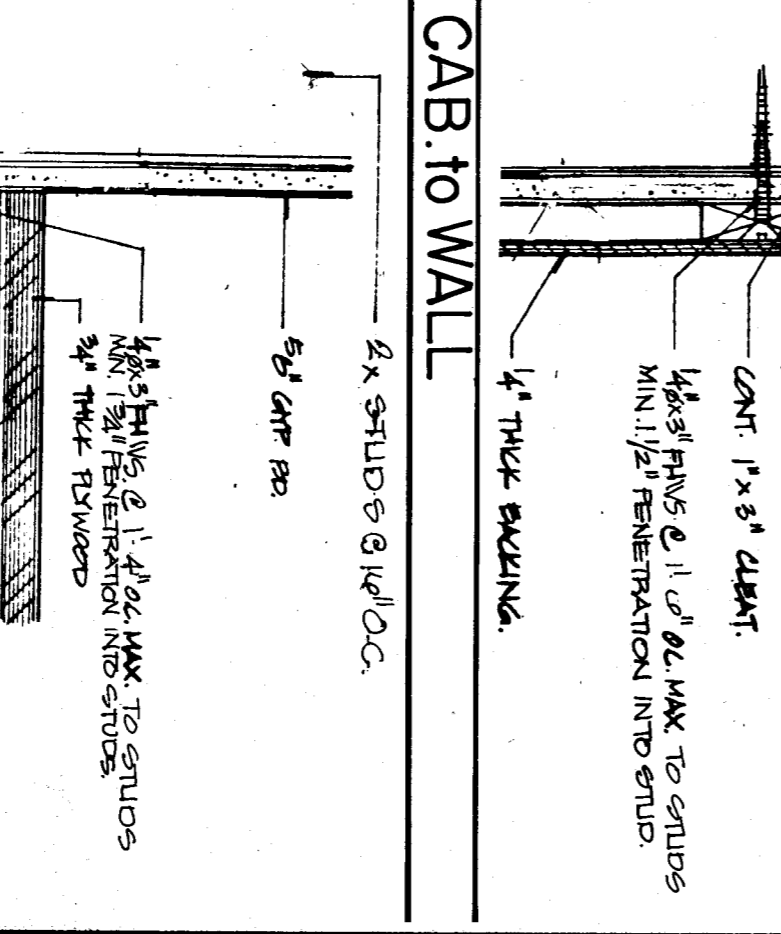
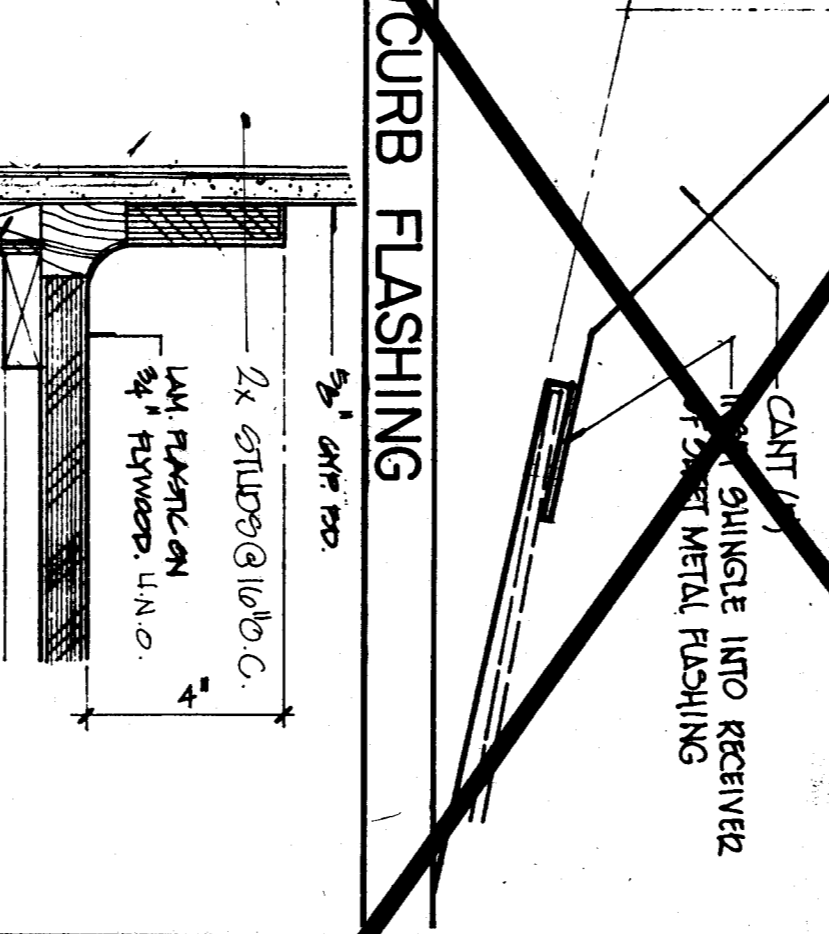
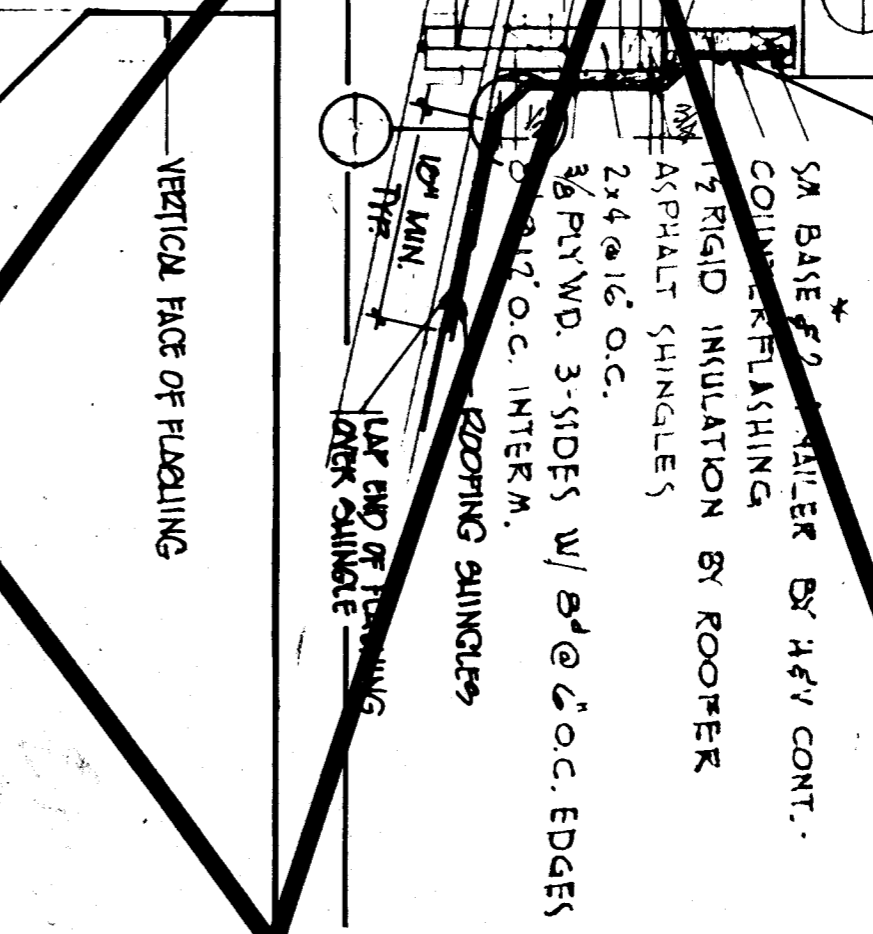
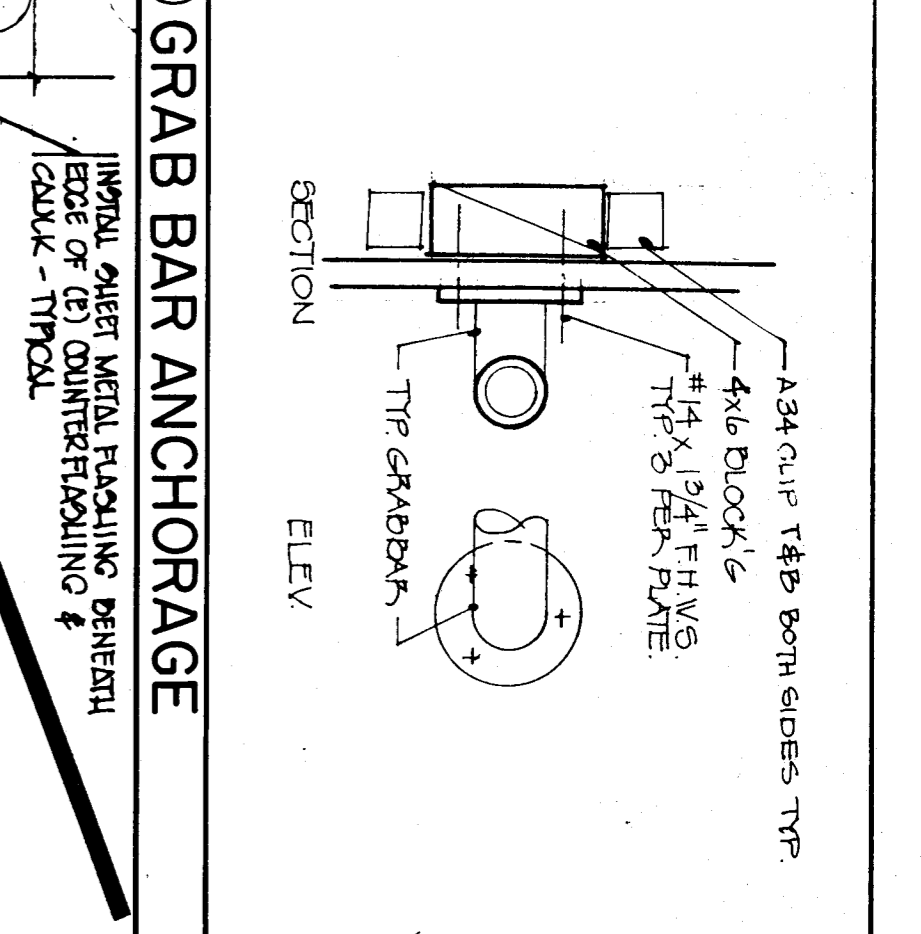
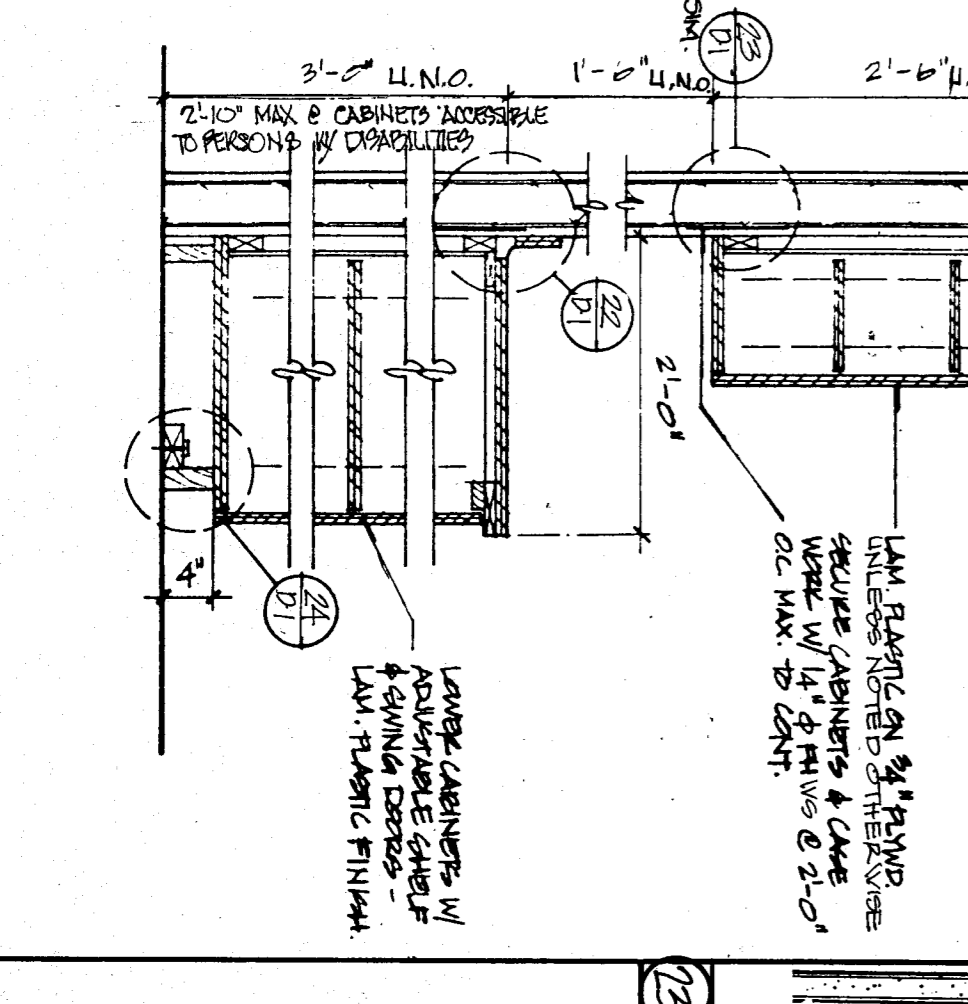
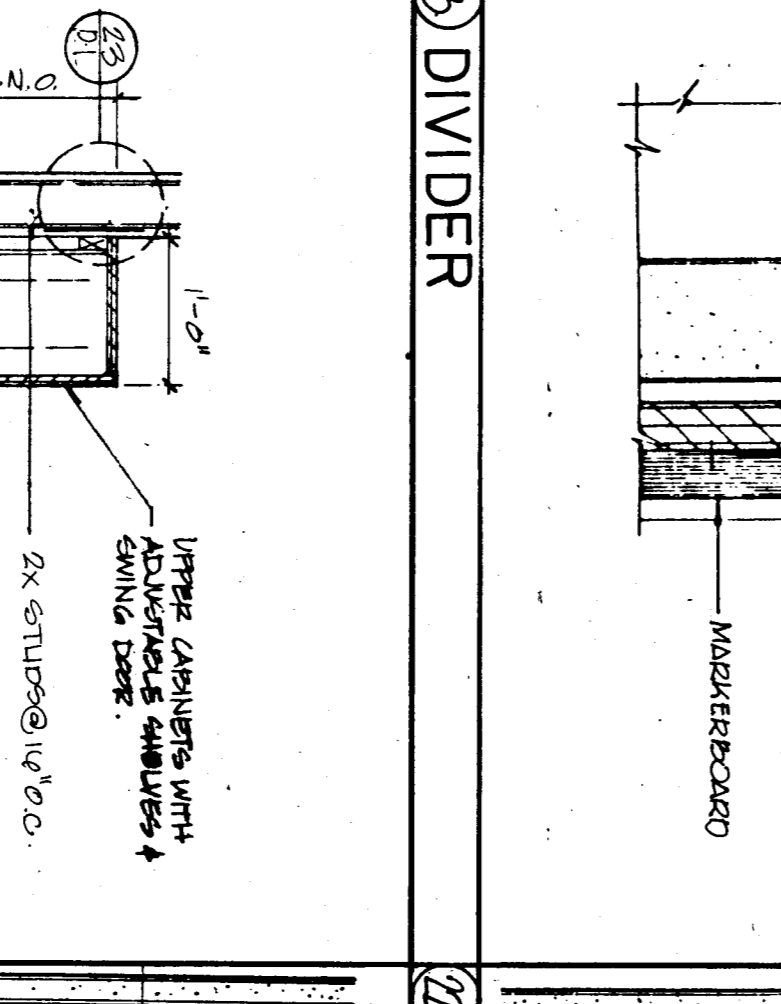
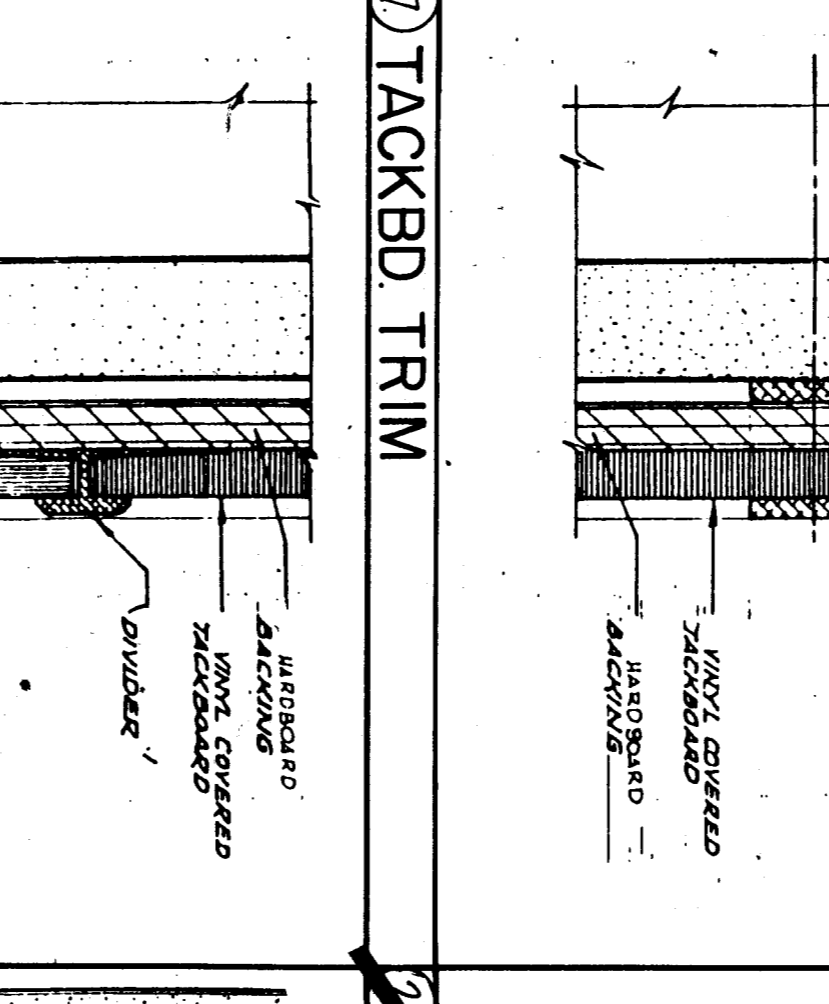
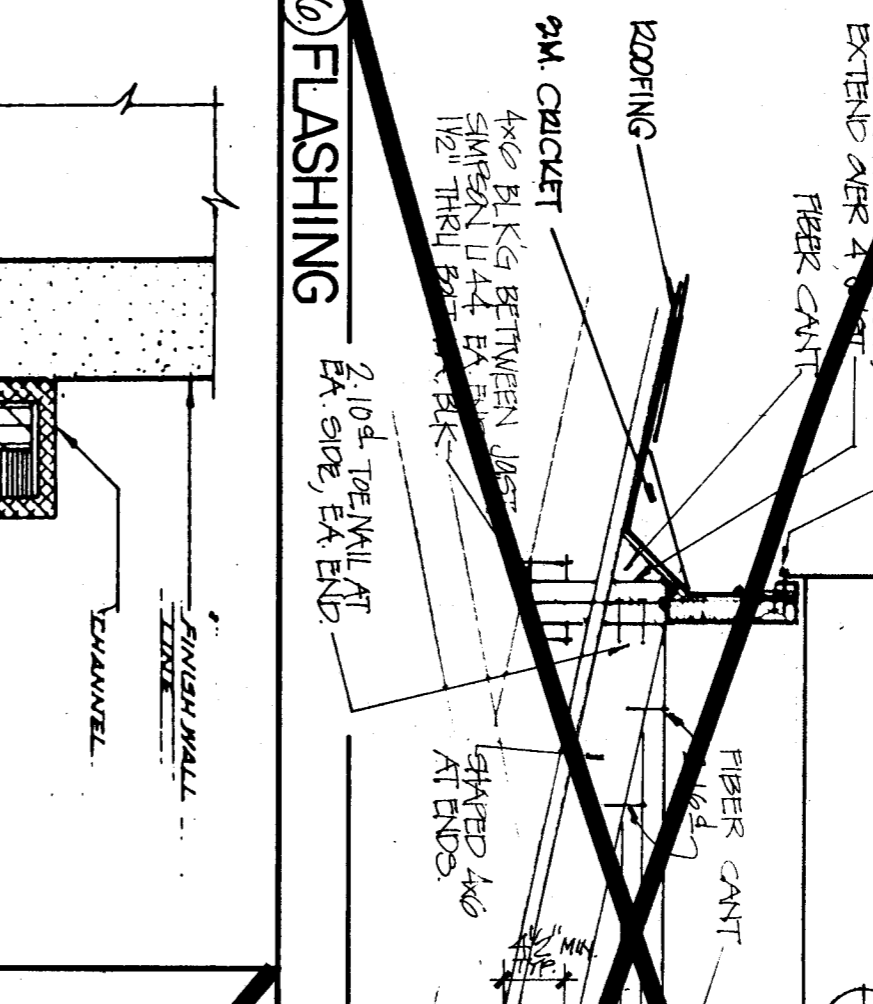
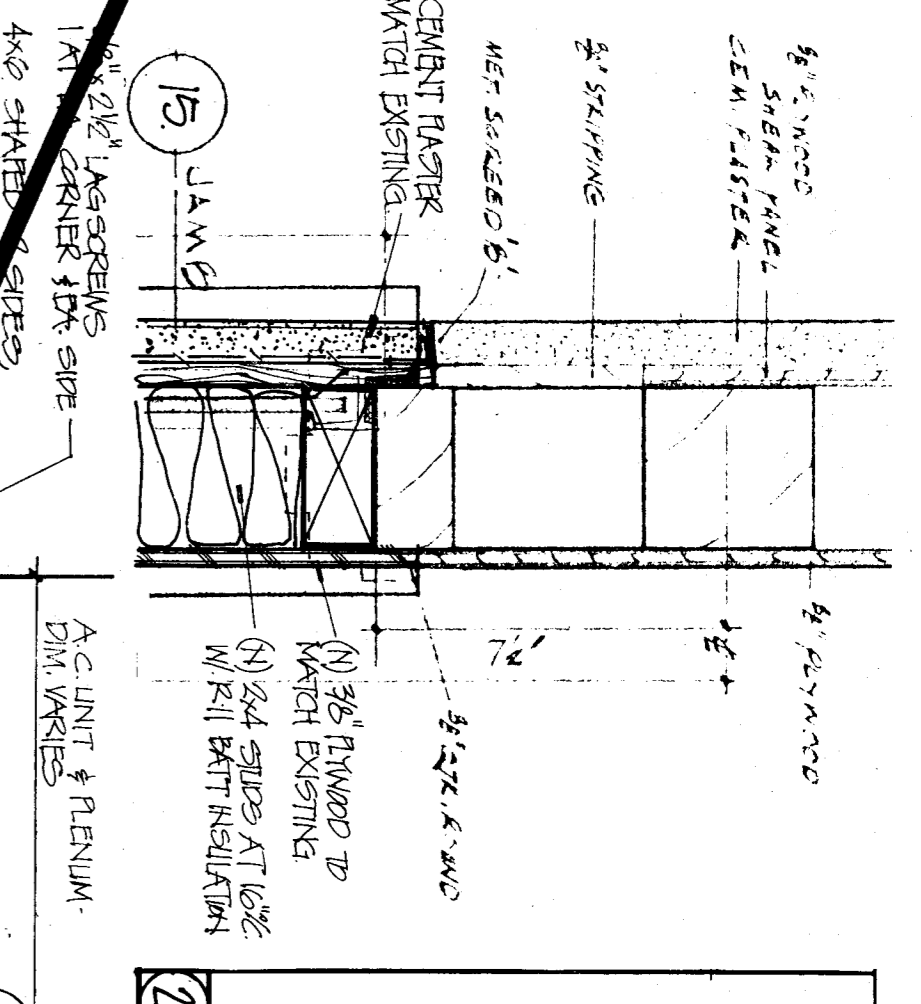
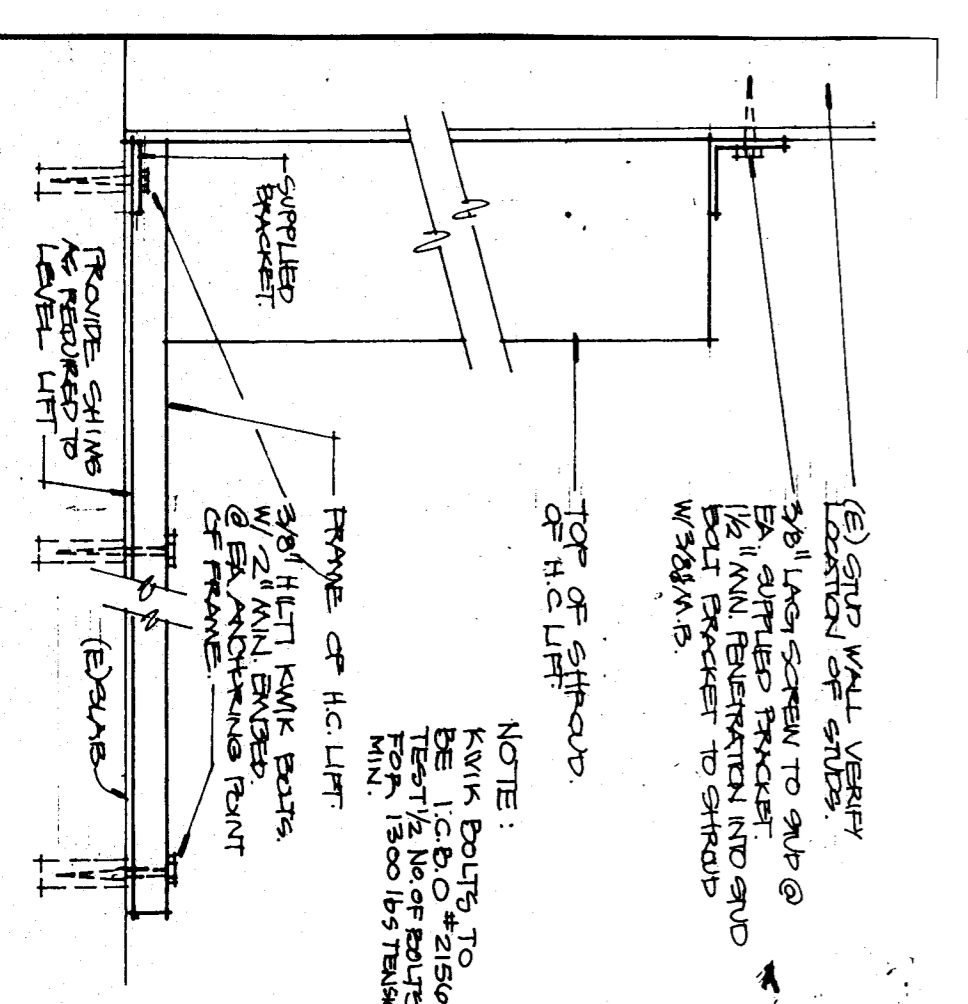
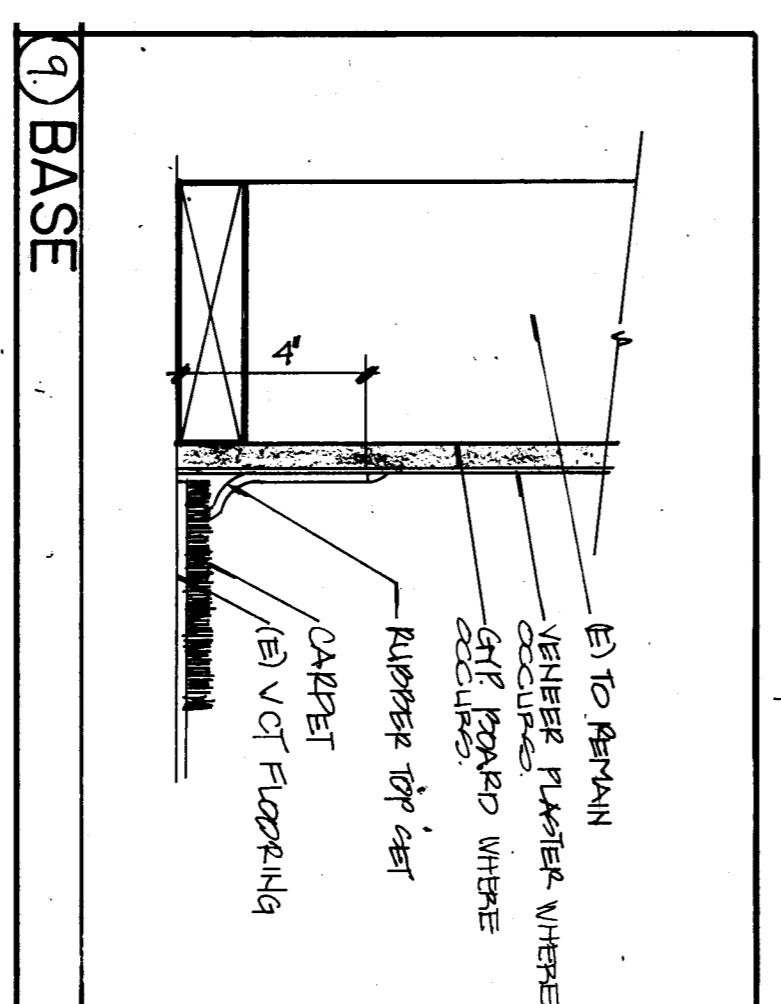
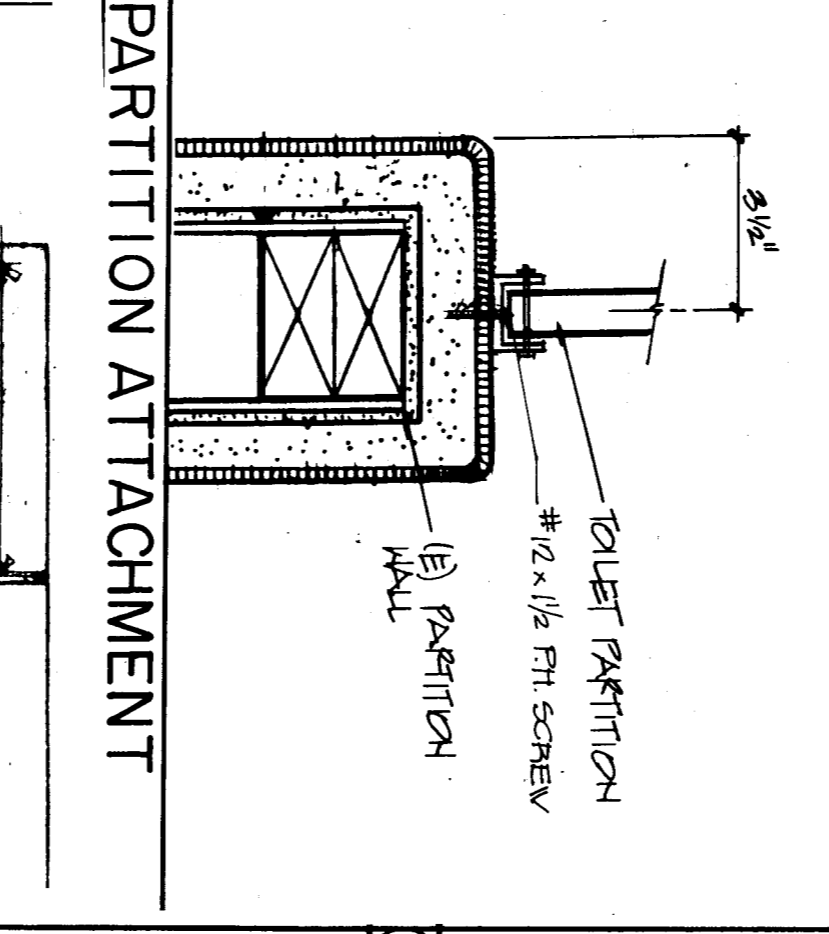
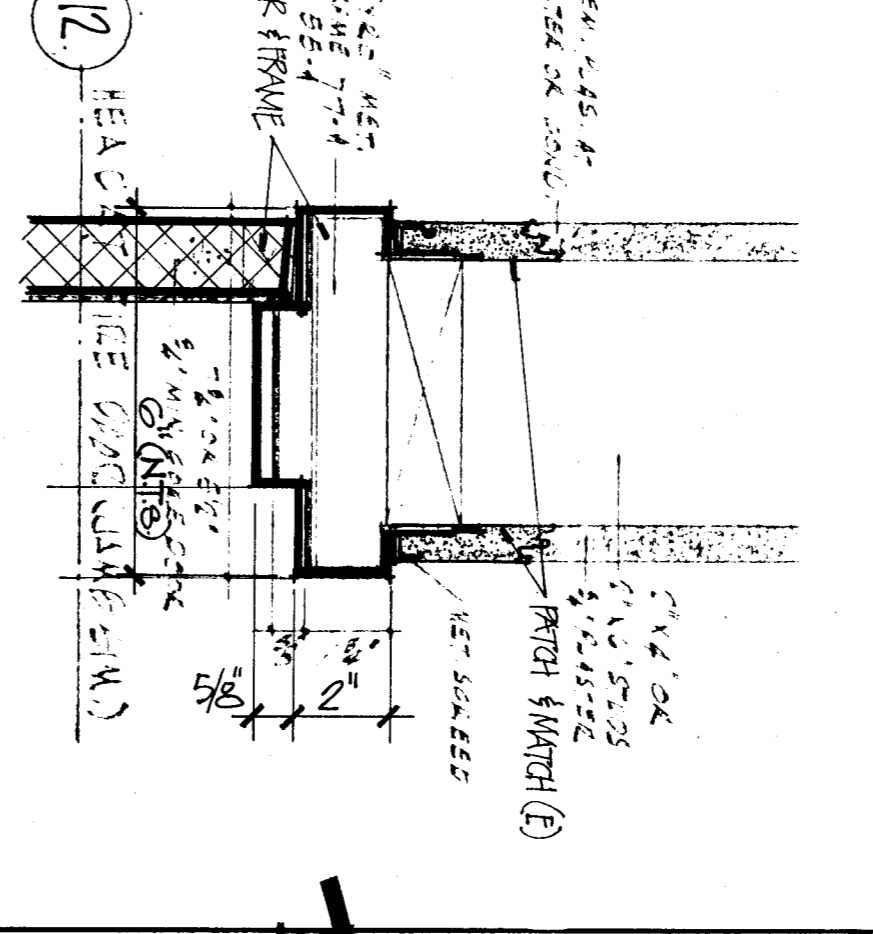
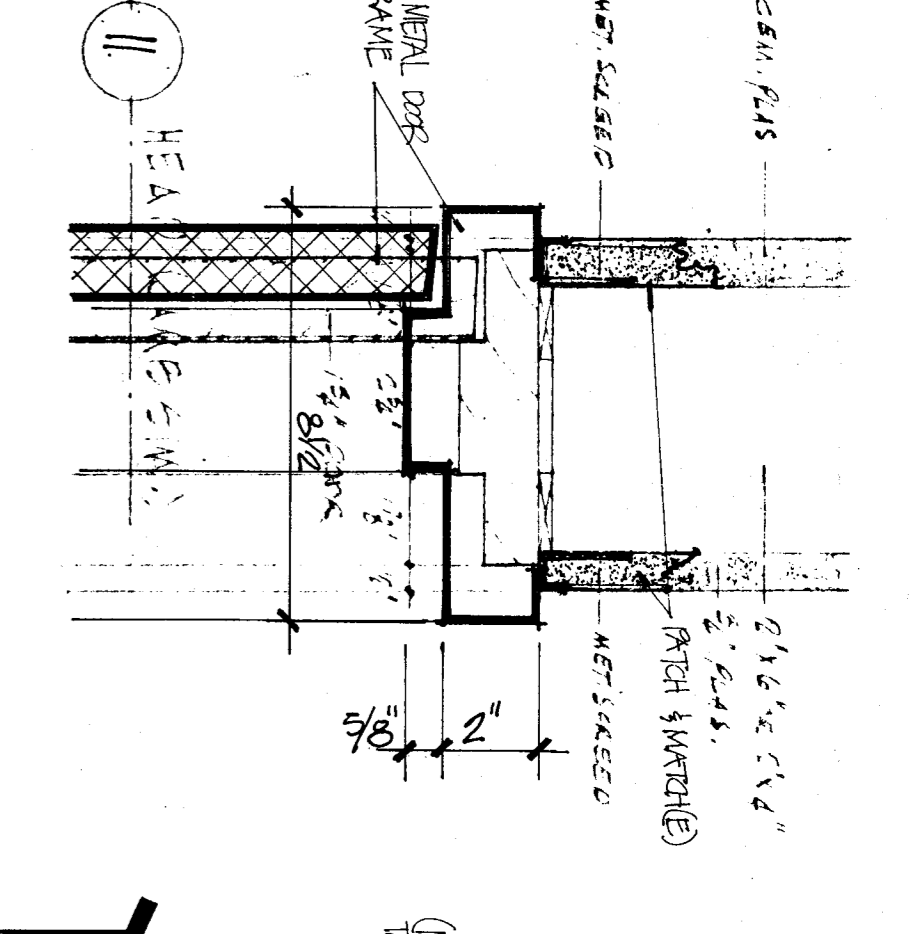
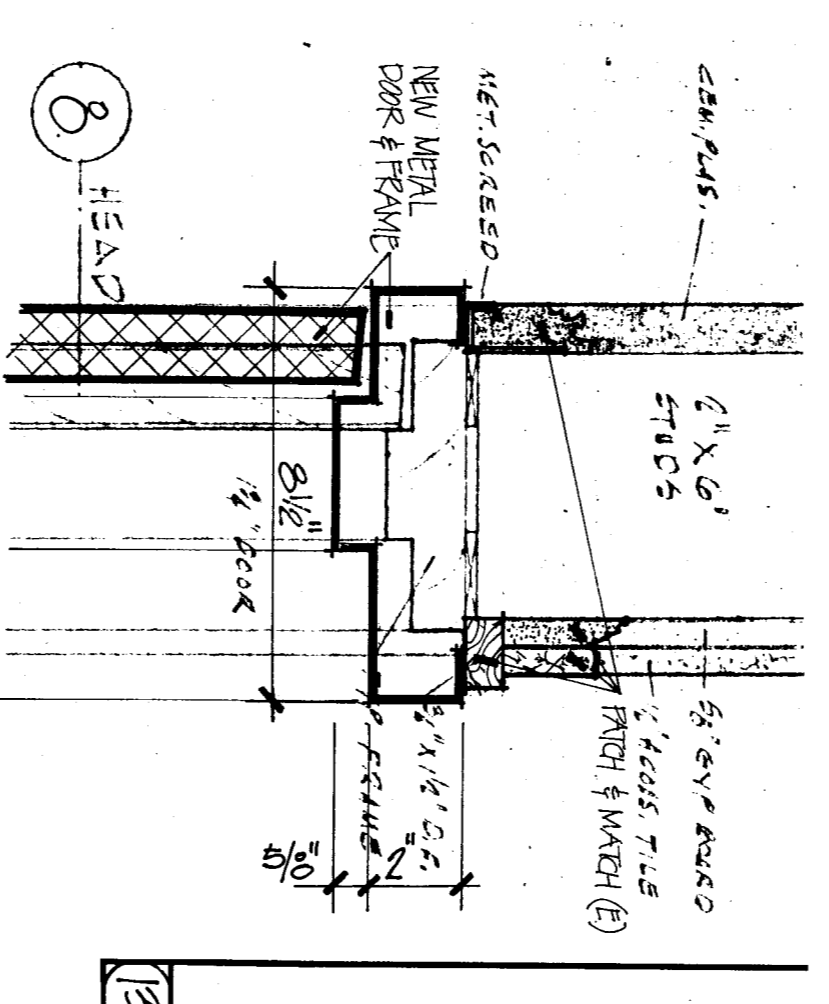
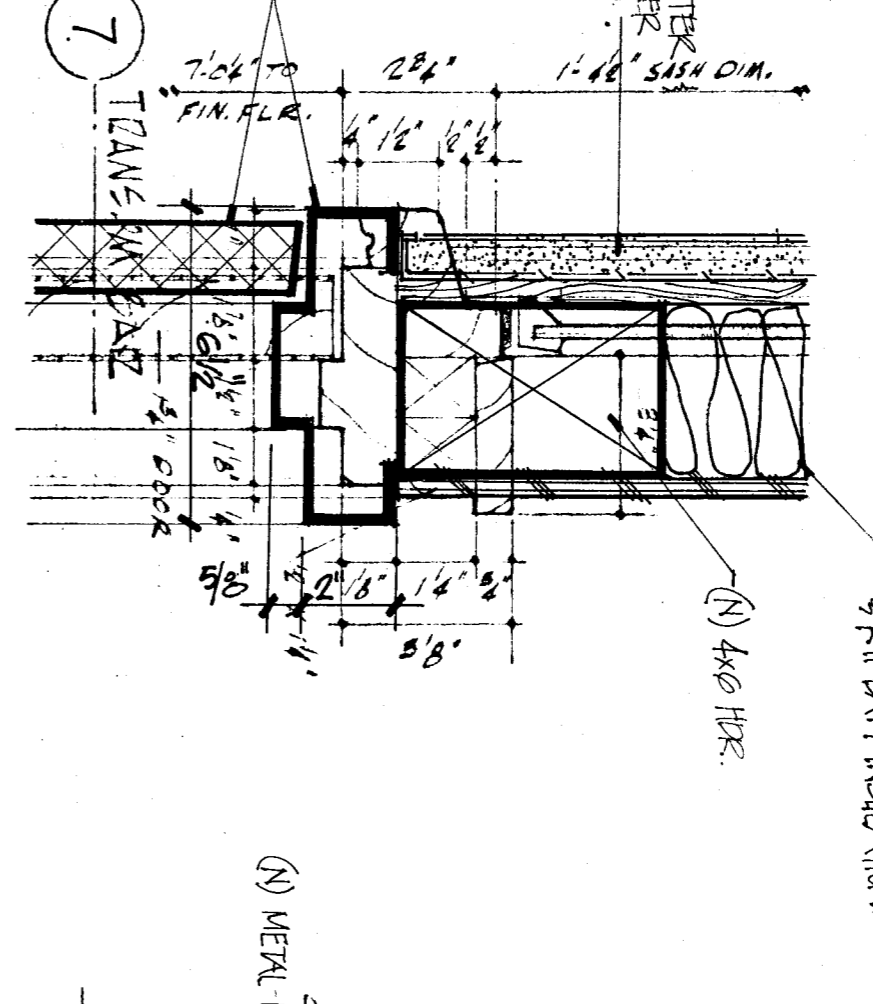
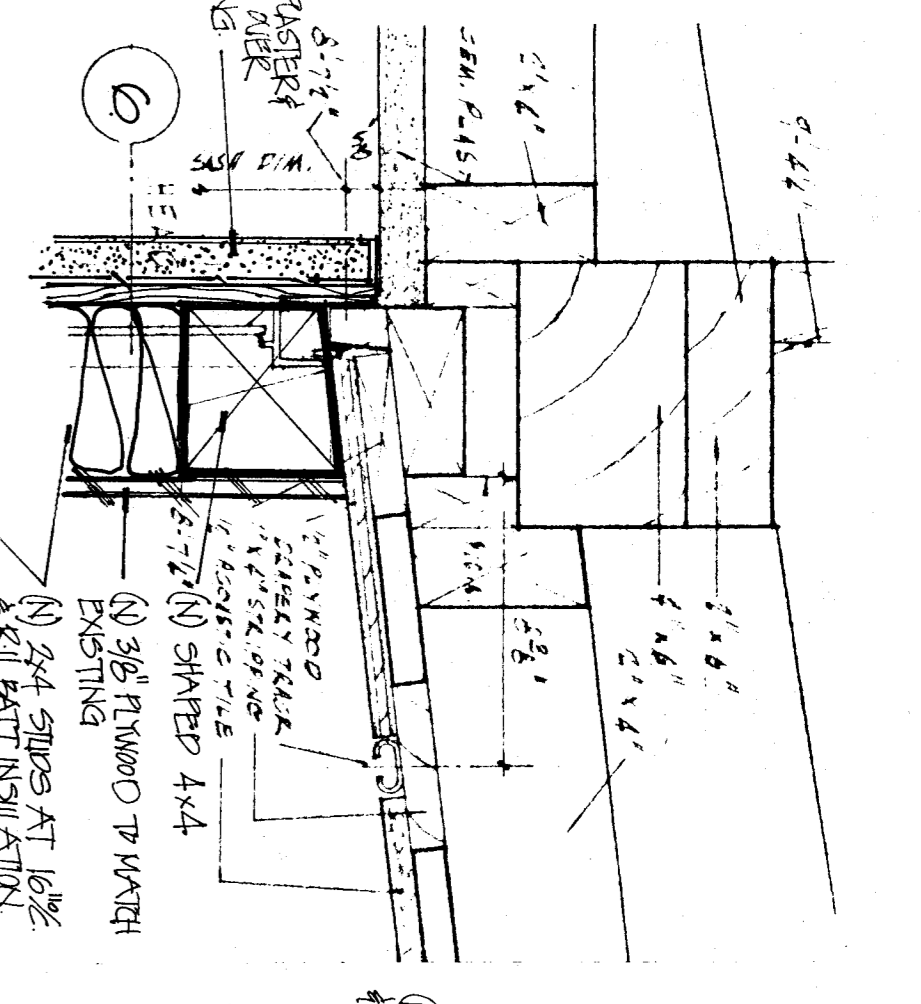
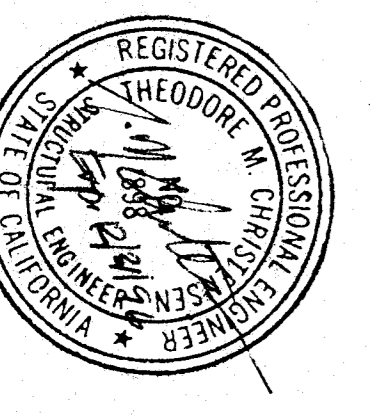
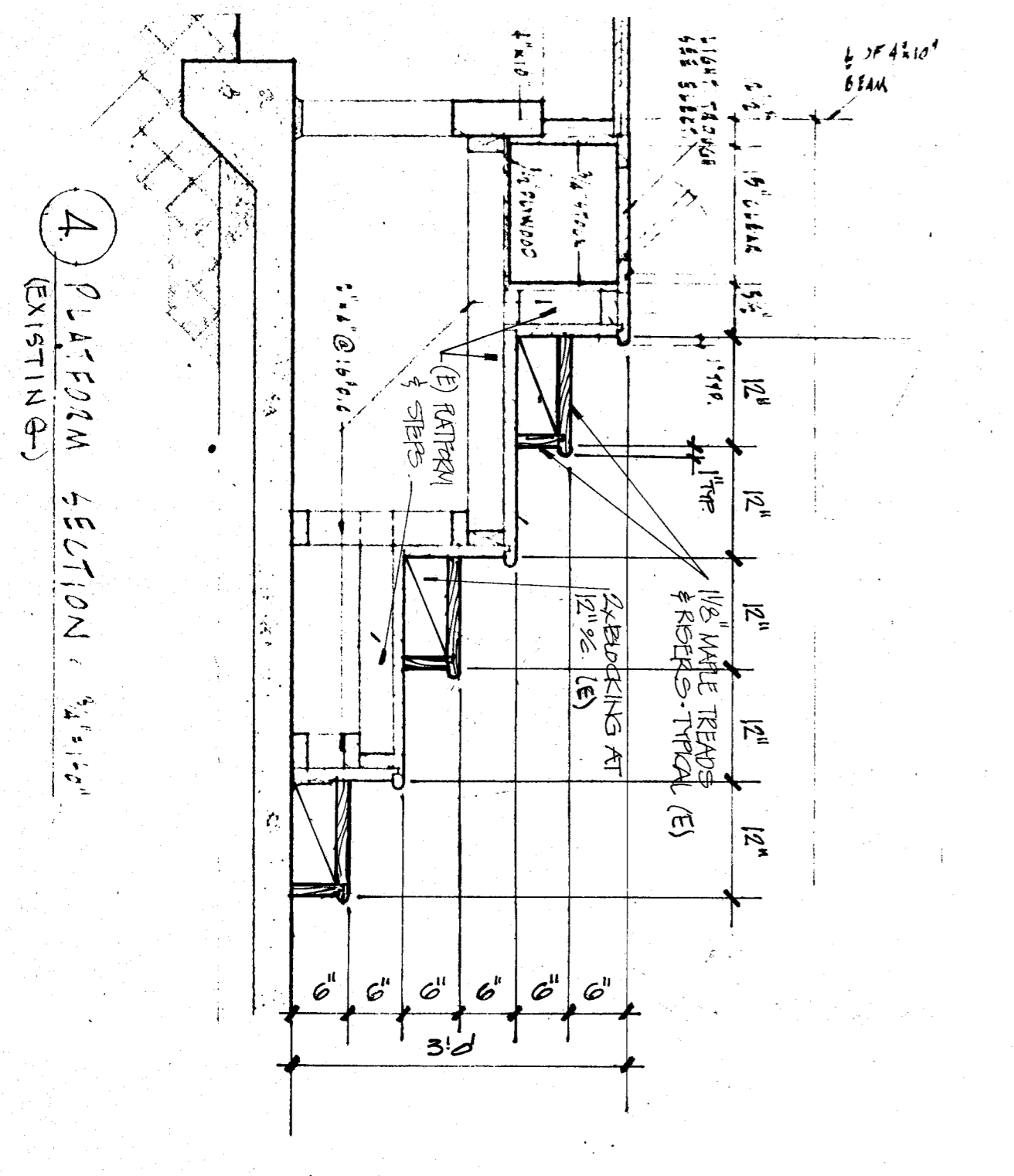
**JOIST OR RAFTERS TO SIDES OF STUDS (A)**  
 1-10 JOIST OR RAFTER TO BE SPACED @ 24\"/>

**MINIMUM NAILING SCHEDULE**

**NON-BEARING WALL**

**MINIMUM NAILING SCHEDULE**

Machine Applied Nailing  
 The machine nailing is subject to a satisfactory jobite demonstration for the particular application. The approval of the Structural Engineer and the Office of the State Architect. The approval is subject to continued satisfactory performance. Machine nailing will not be approved in 3/4\"/>



THESE DRAWINGS, RELATED SPECIFICATIONS, IDEAS, DESIGNS, AND ARRANGEMENTS REPRESENTED THEREIN ARE AND SHALL REMAIN THE PROPERTY OF THE ARCHITECT AND NO PART THEREOF SHALL BE LOANED, REPRODUCED, COPIED, OR USED IN CONNECTION WITH ANY WORK OR PROJECT OTHER THAN THE SPECIFIC PROJECT FOR WHICH THEY HAVE BEEN PREPARED AND DEVELOPED WITHOUT THE WRITTEN CONSENT OF THE ARCHITECT. VISUAL CONTACT WITH THESE DRAWINGS OR SPECIFICATIONS SHALL CONSTITUTE CONCLUSIVE EVIDENCE OF ACCEPTANCE OF THESE RESTRICTIONS.

WRITTEN DIMENSIONS ON THESE DRAWINGS SHALL HAVE PRECEDENCE OVER SCALED DIMENSIONS. CONTRACTORS SHALL VERIFY AND BE RESPONSIBLE FOR ALL DIMENSIONS AND NO PART THEREOF SHALL BE CONSIDERED TO BE AVOIDED OR ANY VARIATIONS FROM THE DIMENSIONS AND CONDITIONS SHOWN BY THESE DRAWINGS.

DETAILED SHOP DRAWINGS MUST BE SUBMITTED TO THIS OFFICE FOR REVIEW BEFORE PROCEEDING WITH THE FABRICATION OF ANY PRODUCT TO BE INCLUDED IN THIS PROJECT.

DATE	ISSUE FOR
DATE	REVISION

Frank West Elementary School  
 Modernization  
 Bakersfield City School District

**pechin associates**  
*Arthur C. Pechin*  
 architects aia

1400 easton drive suite 138  
 bakersfield, ca 93309 (805) 322-2021

Project Number: 408-0488