

JN JOHNSON & NIELSEN ASSOCIATES
111 South Fremont Street, Suite 200, Fremont, CA 94536
Tel: (510) 328-2888
Fax: (510) 328-2889
www.jnjohnson.com

NOTE: THE RESPONSIBILITY OF THE DESIGN, CONSTRUCTION AND INSTALLATION OF THE SYSTEMS SHOWN ON THESE DRAWINGS, INCLUDING THE OBTAINING OF ALL NECESSARY PERMITS AND APPROVALS, IS SOLELY THE RESPONSIBILITY OF THE CONTRACTOR. THE ARCHITECT'S RESPONSIBILITY IS LIMITED TO THE DESIGN AND CONSTRUCTION OF THE SYSTEMS SHOWN ON THESE DRAWINGS. THE CONTRACTOR SHALL BE RESPONSIBLE FOR OBTAINING ALL NECESSARY PERMITS AND APPROVALS. THE CONTRACTOR SHALL BE RESPONSIBLE FOR THE PROTECTION OF ALL EXISTING UTILITIES AND STRUCTURES. THE CONTRACTOR SHALL BE RESPONSIBLE FOR THE PROTECTION OF ALL EXISTING UTILITIES AND STRUCTURES. THE CONTRACTOR SHALL BE RESPONSIBLE FOR THE PROTECTION OF ALL EXISTING UTILITIES AND STRUCTURES.

IDENTIFICATION STAMP
DATE: APR 11 2011
F.S. - S.S. 172
MAN 1 8 2008
P.N.

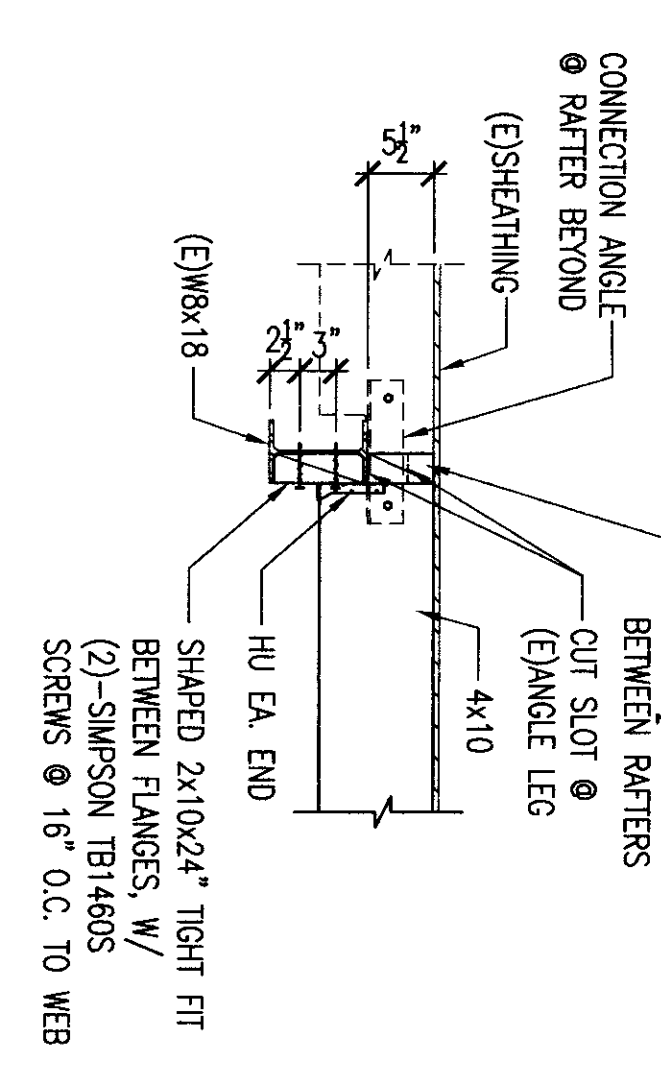
Revision	Description

At the time of preparation of these drawings, the contractor was advised of the location of all existing utilities and structures. The contractor shall be responsible for the protection of all existing utilities and structures. The contractor shall be responsible for the protection of all existing utilities and structures. The contractor shall be responsible for the protection of all existing utilities and structures.

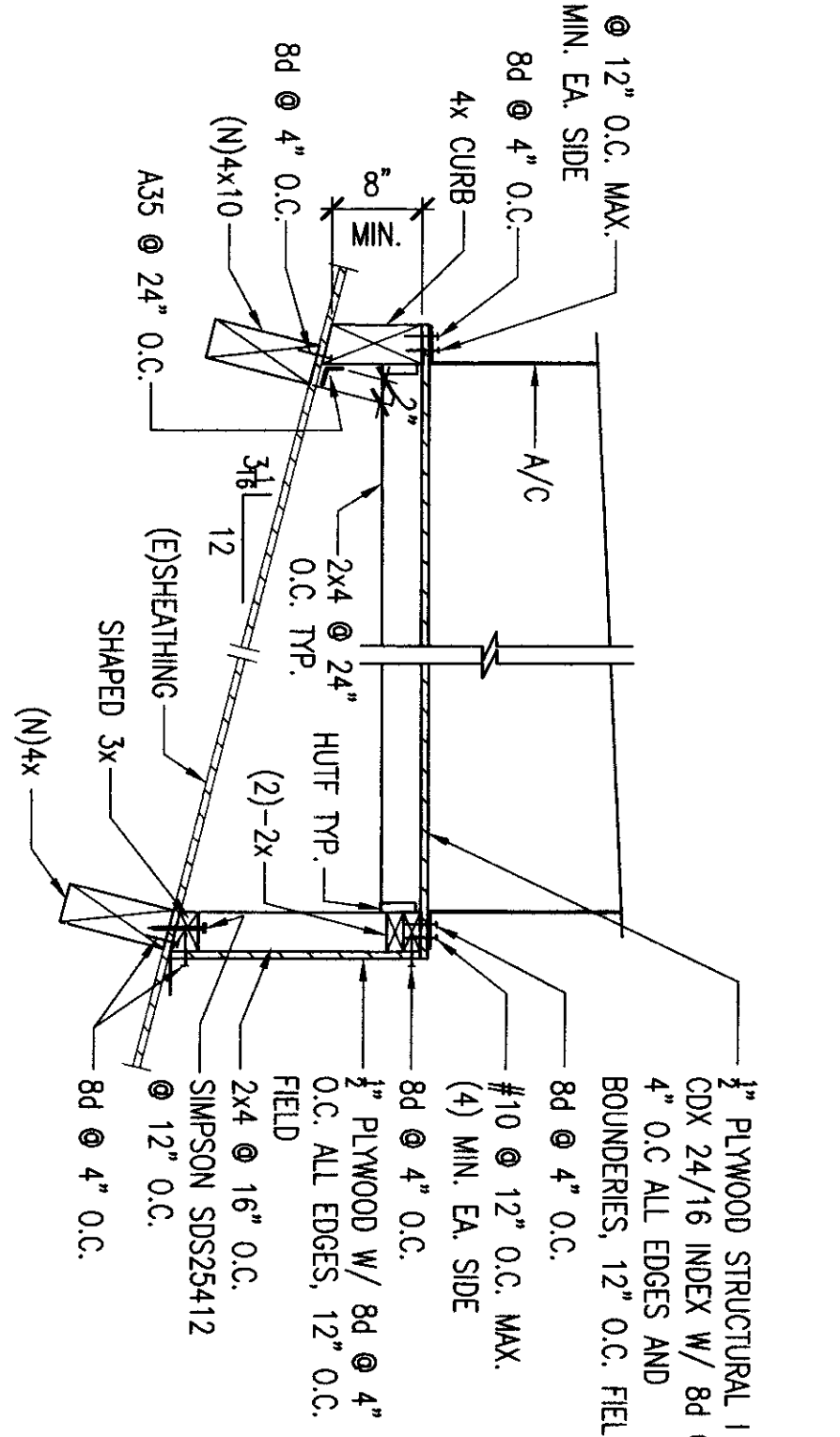
**MODERNIZATION PROJECT AT
BERNARDIN ELEMENTARY SCHOOL,
2800 ROSE LAURE DRIVE
Bakersfield, CA 93304**

BAKERSFIELD CITY SCHOOL DISTRICT

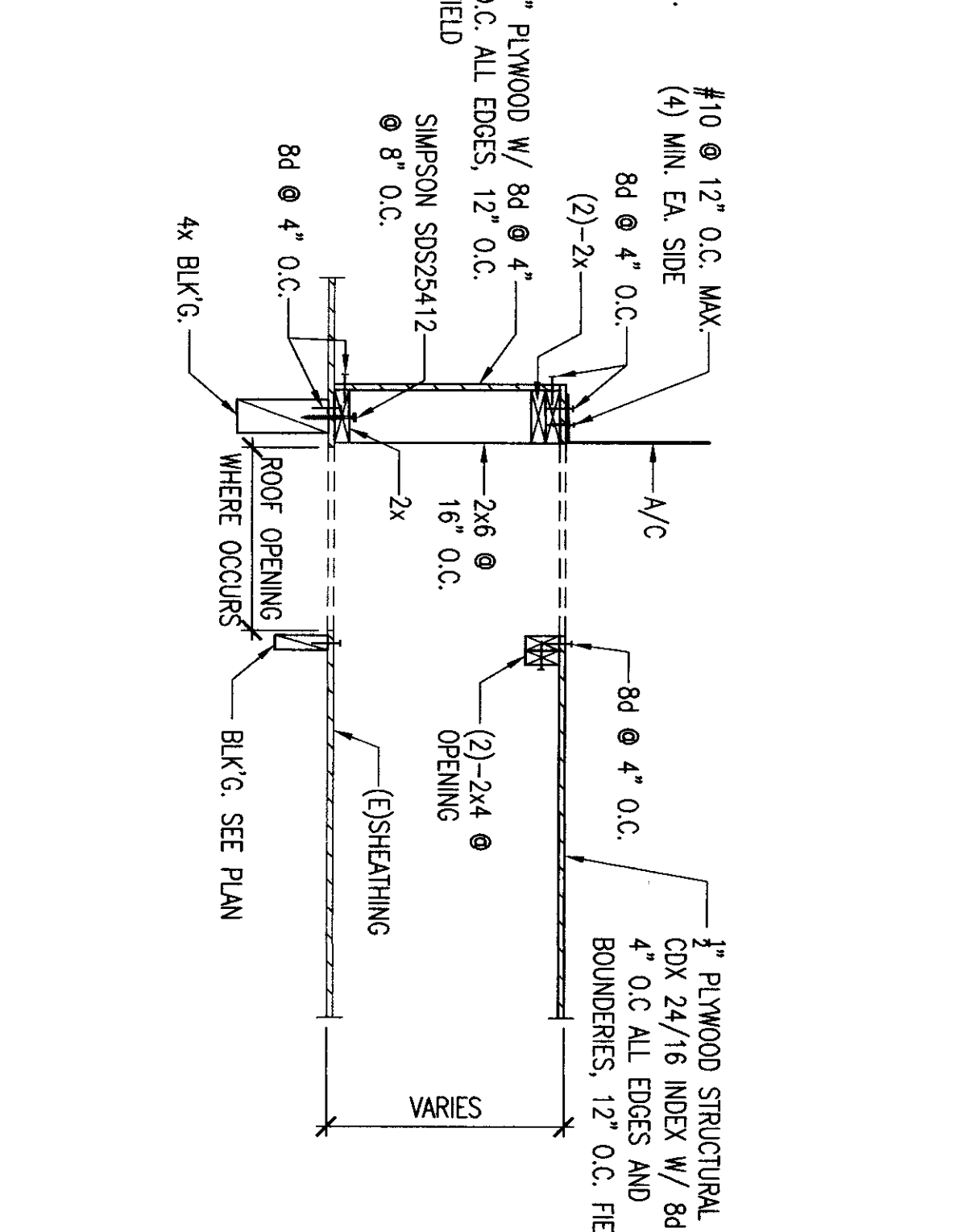
DATE: 03-01-2010
JOB NO.: 1804200
S3



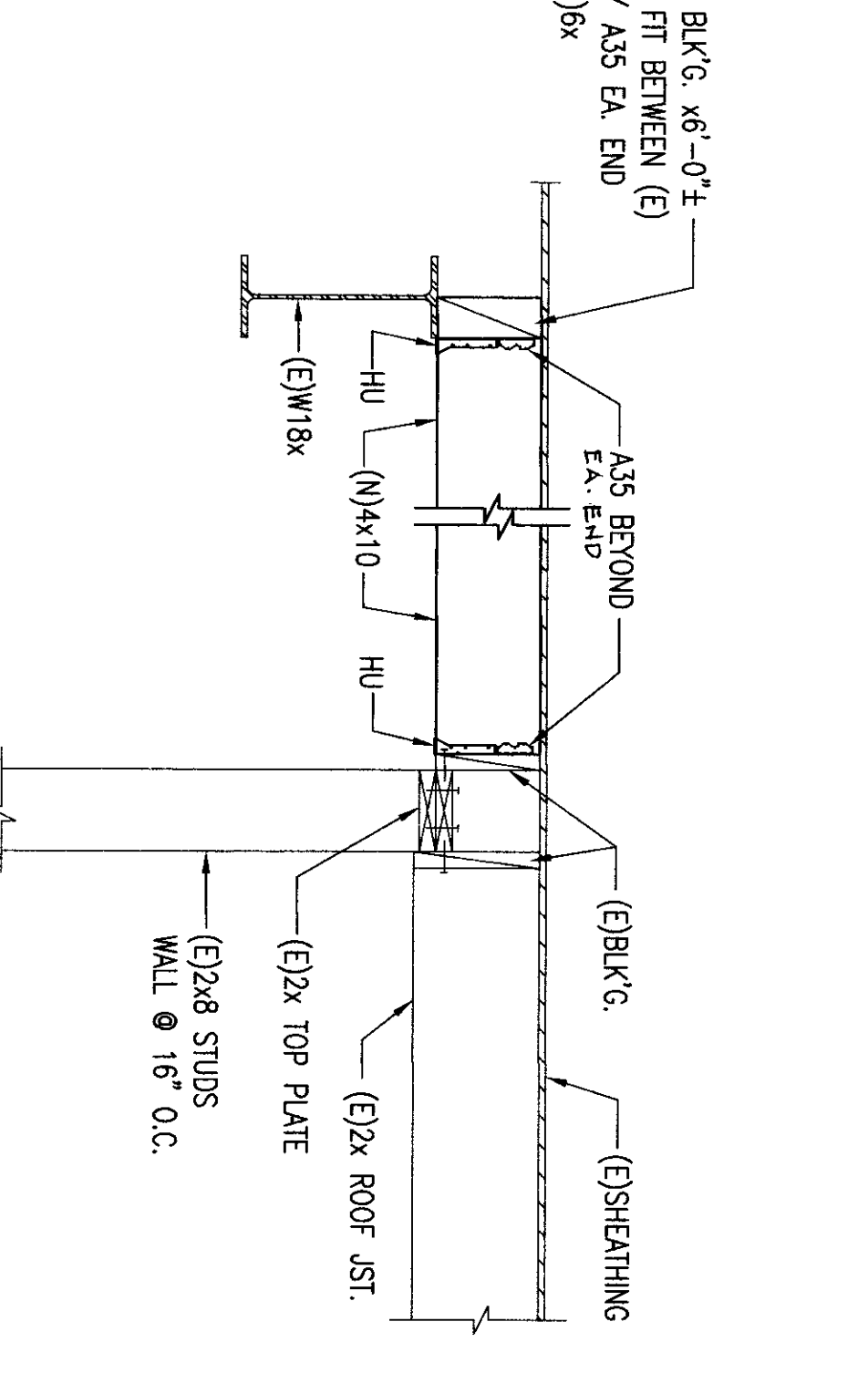
1 ROOF FRAMING CONNECTION AT HVAC SUPPORT



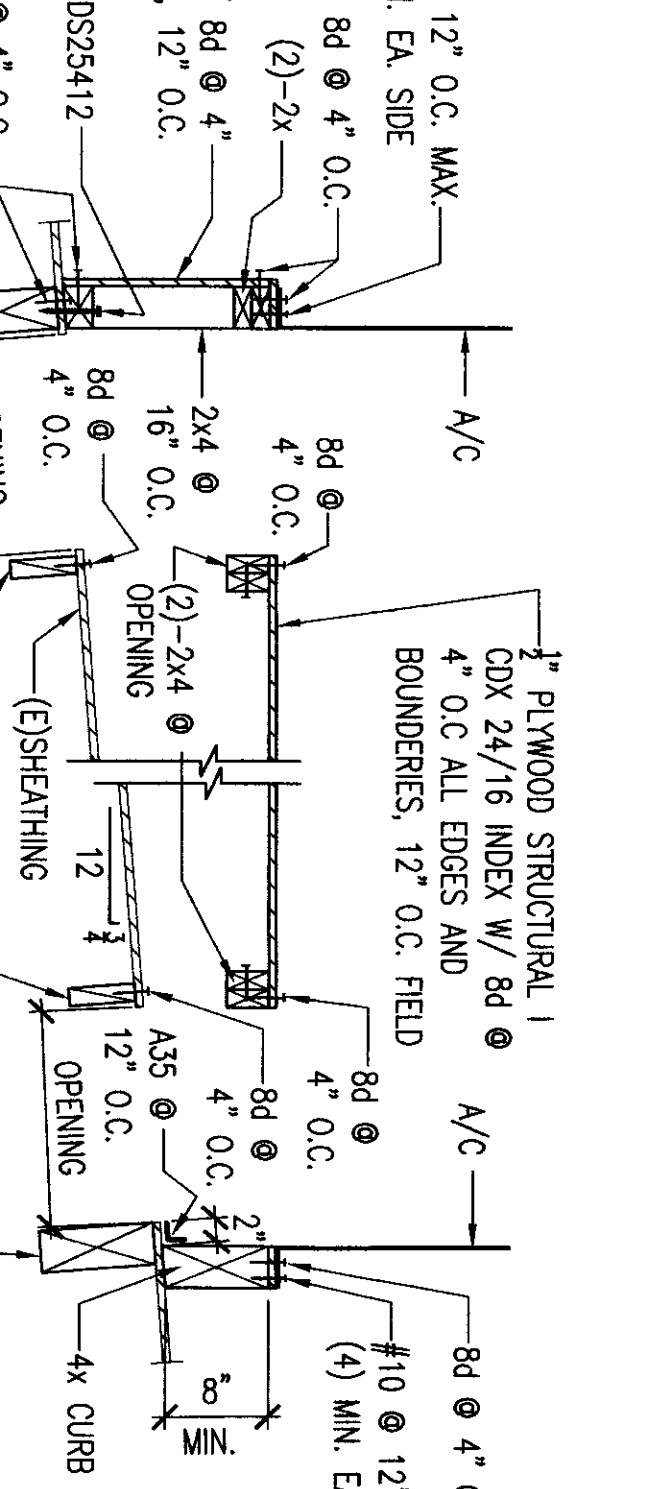
2 EQUIPMENT PLATFORM



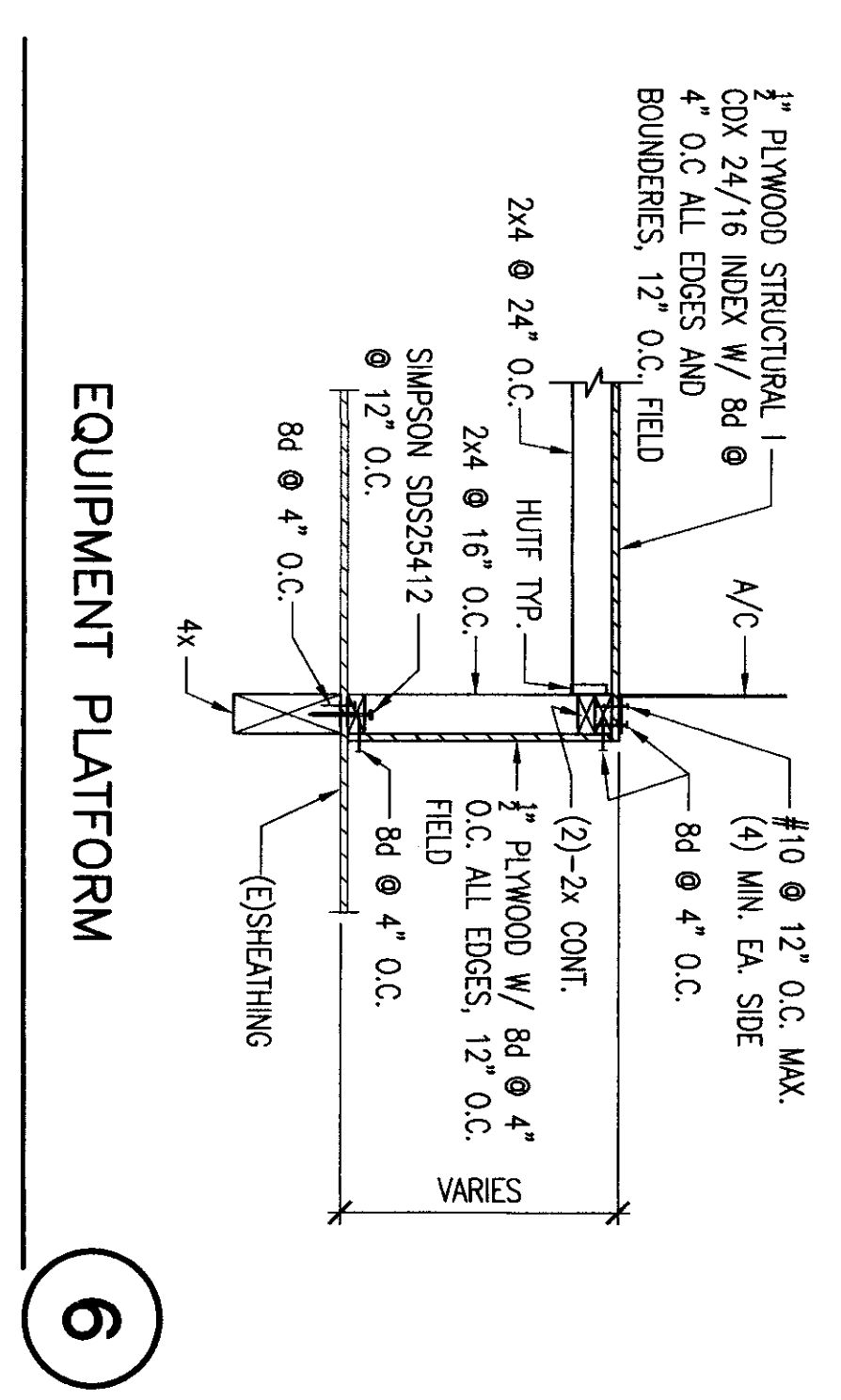
3 EQUIPMENT PLATFORM WITH DUCT OPENING



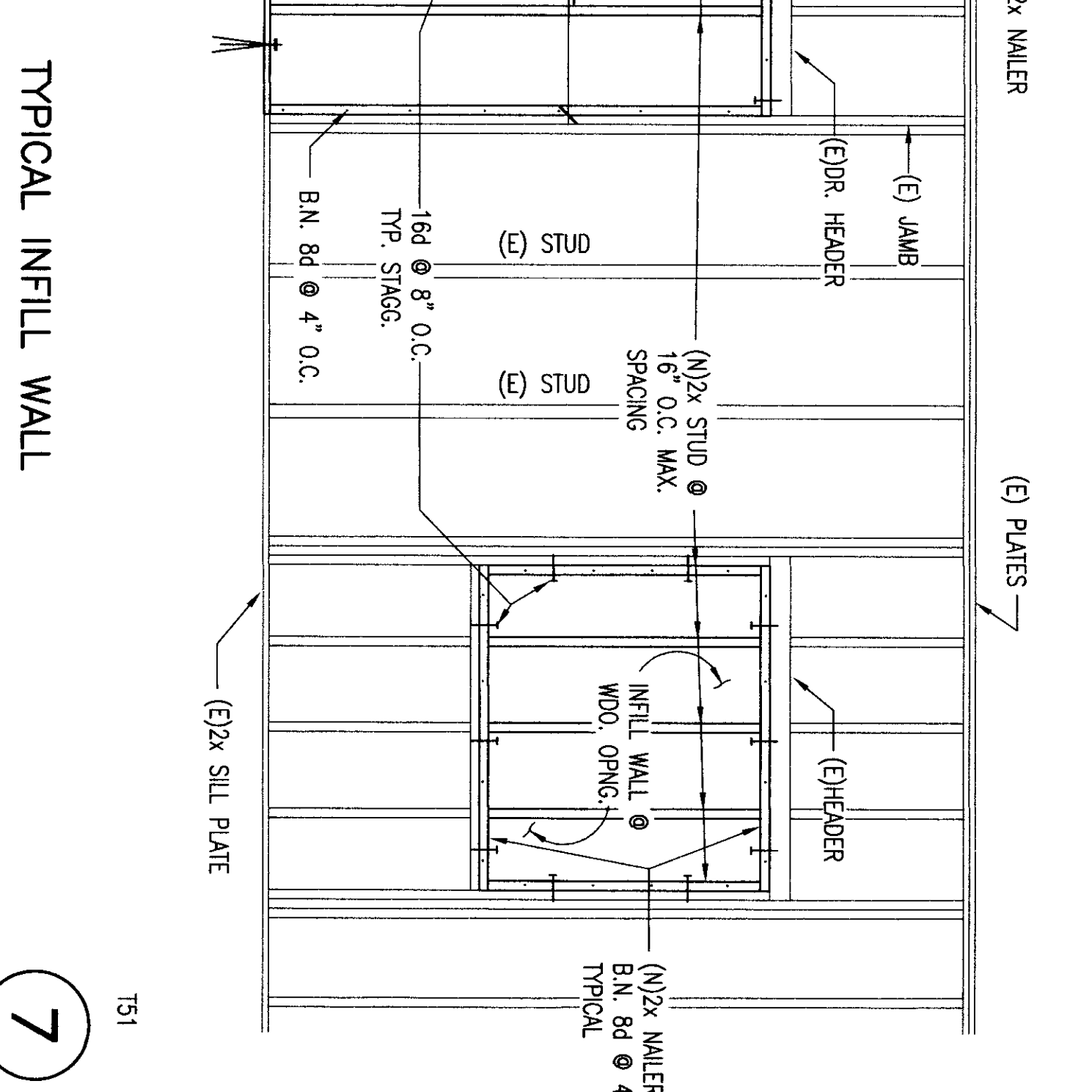
4 ROOF FRAMING CONNECTION AT HVAC SUPPORT



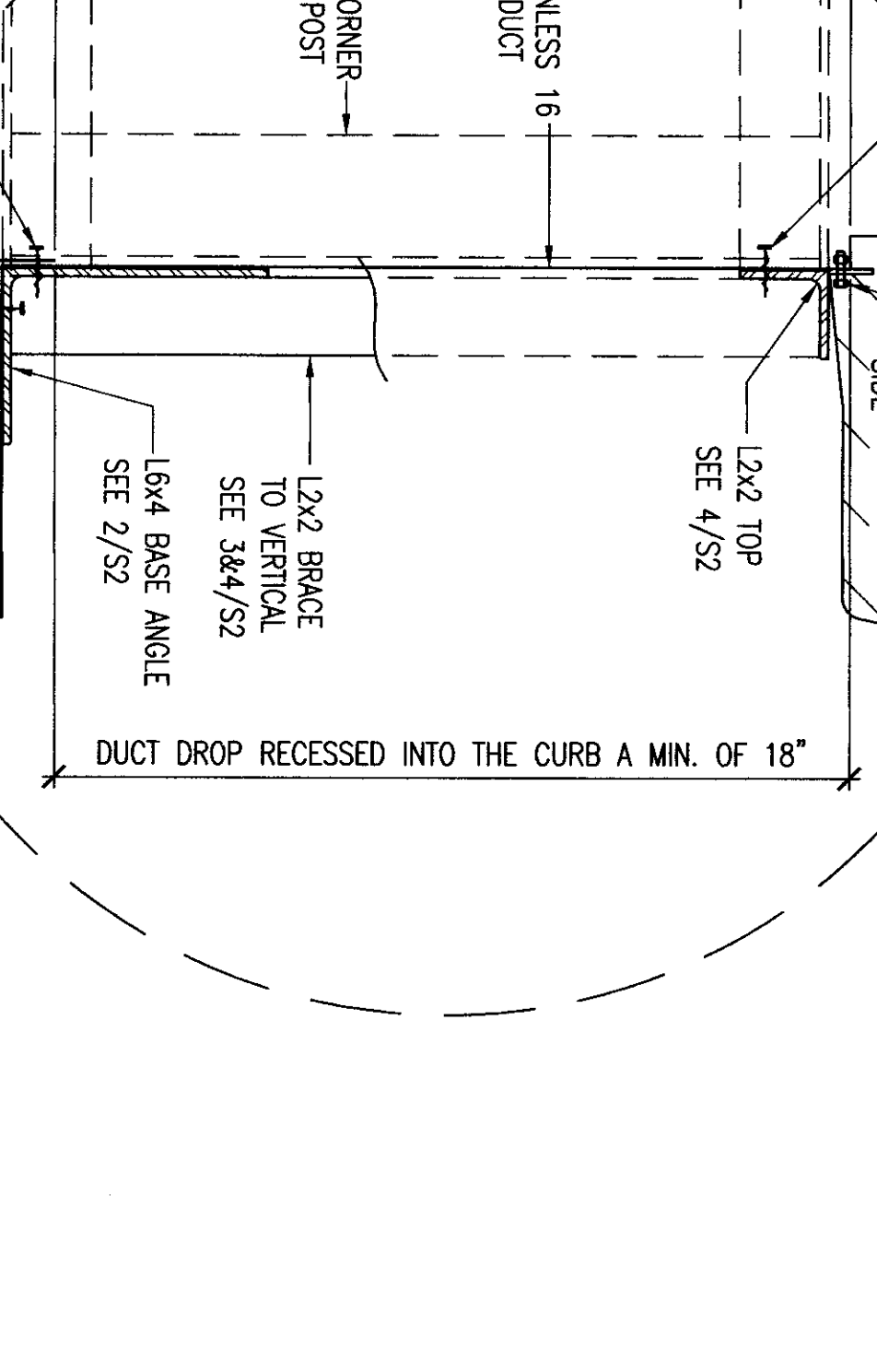
5 EQUIPMENT PLATFORM WITH DUCT OPENING



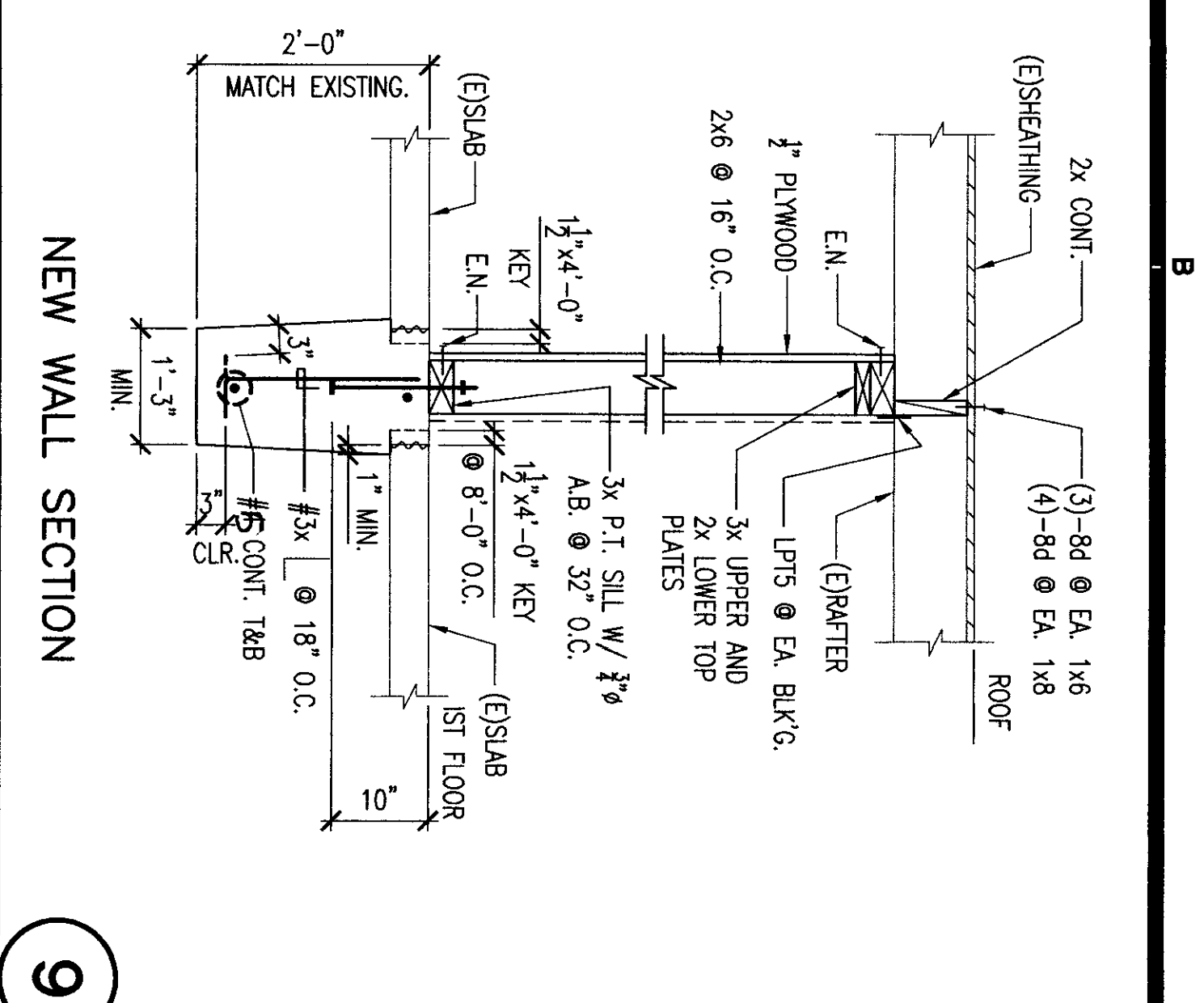
6 EQUIPMENT PLATFORM



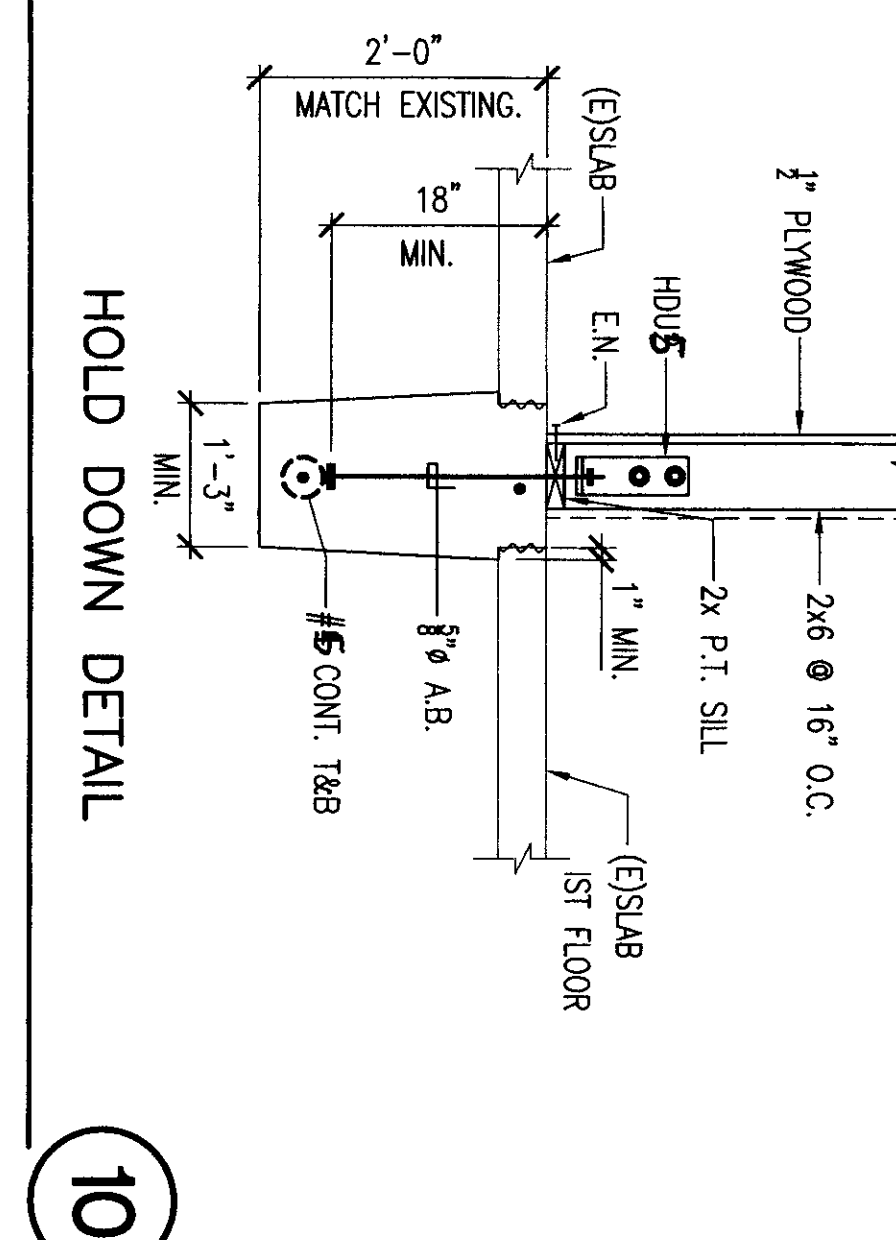
7 TYPICAL INFILL WALL



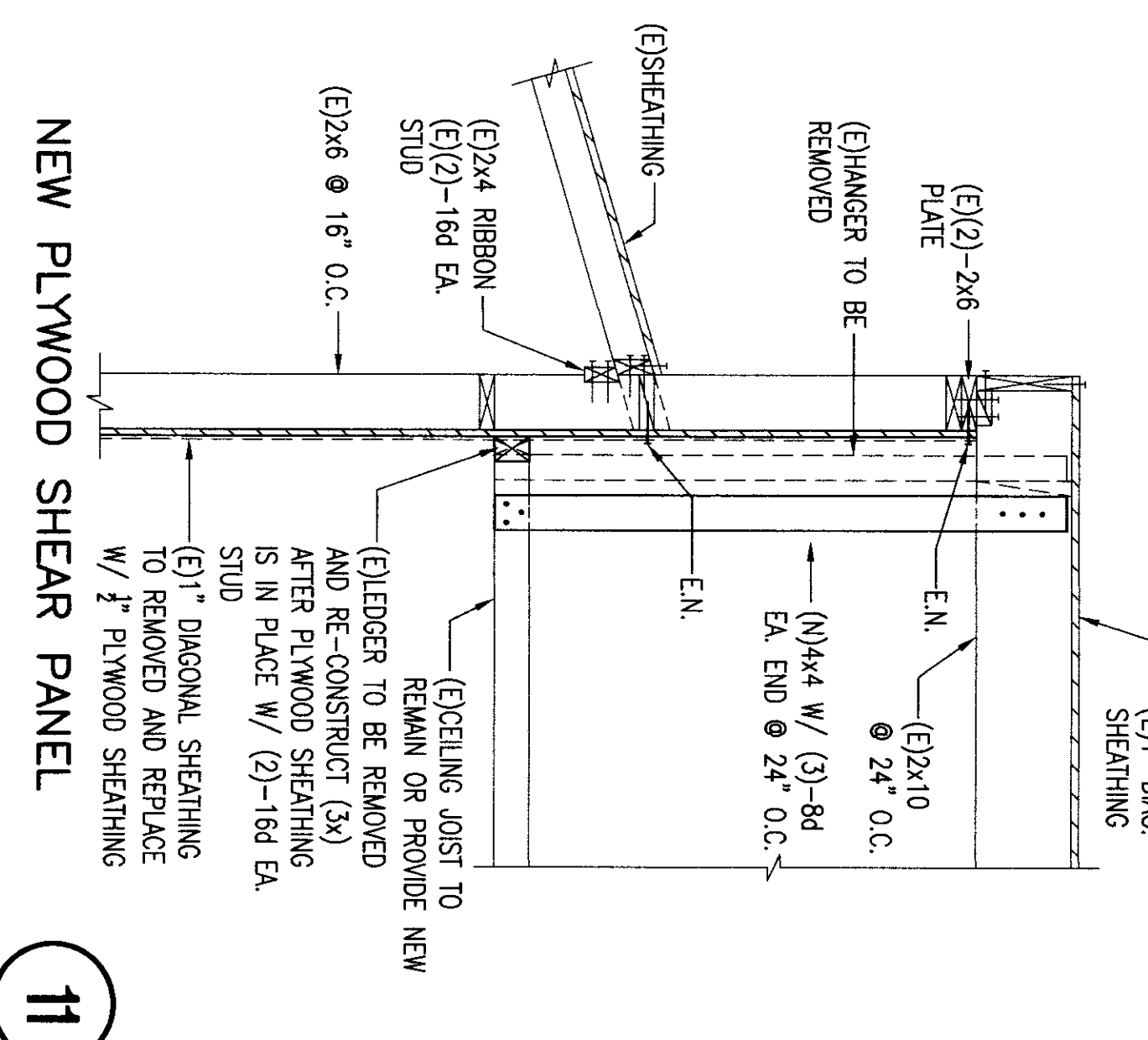
8 SECTION AT E.C. UNITS



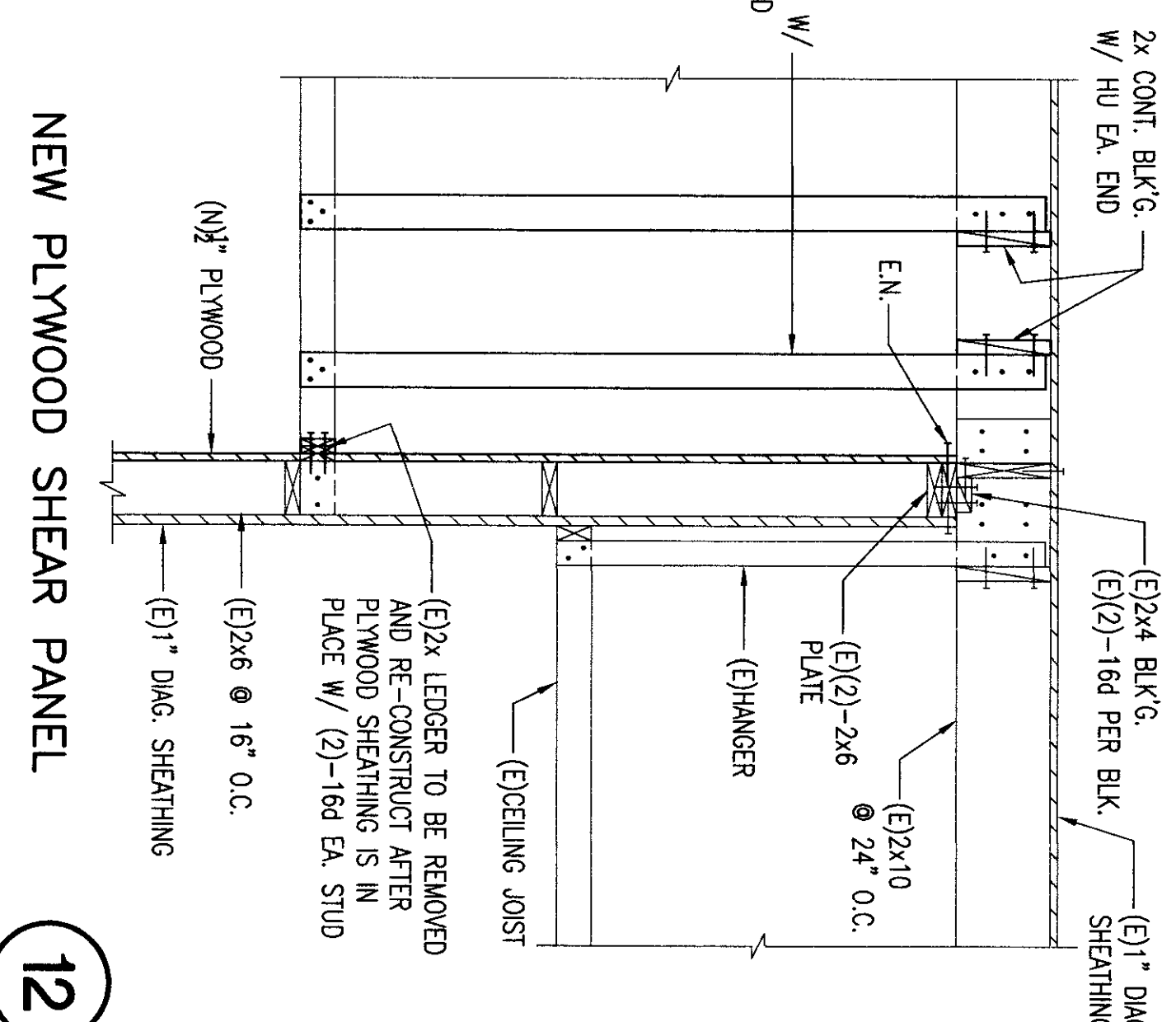
9 NEW WALL SECTION



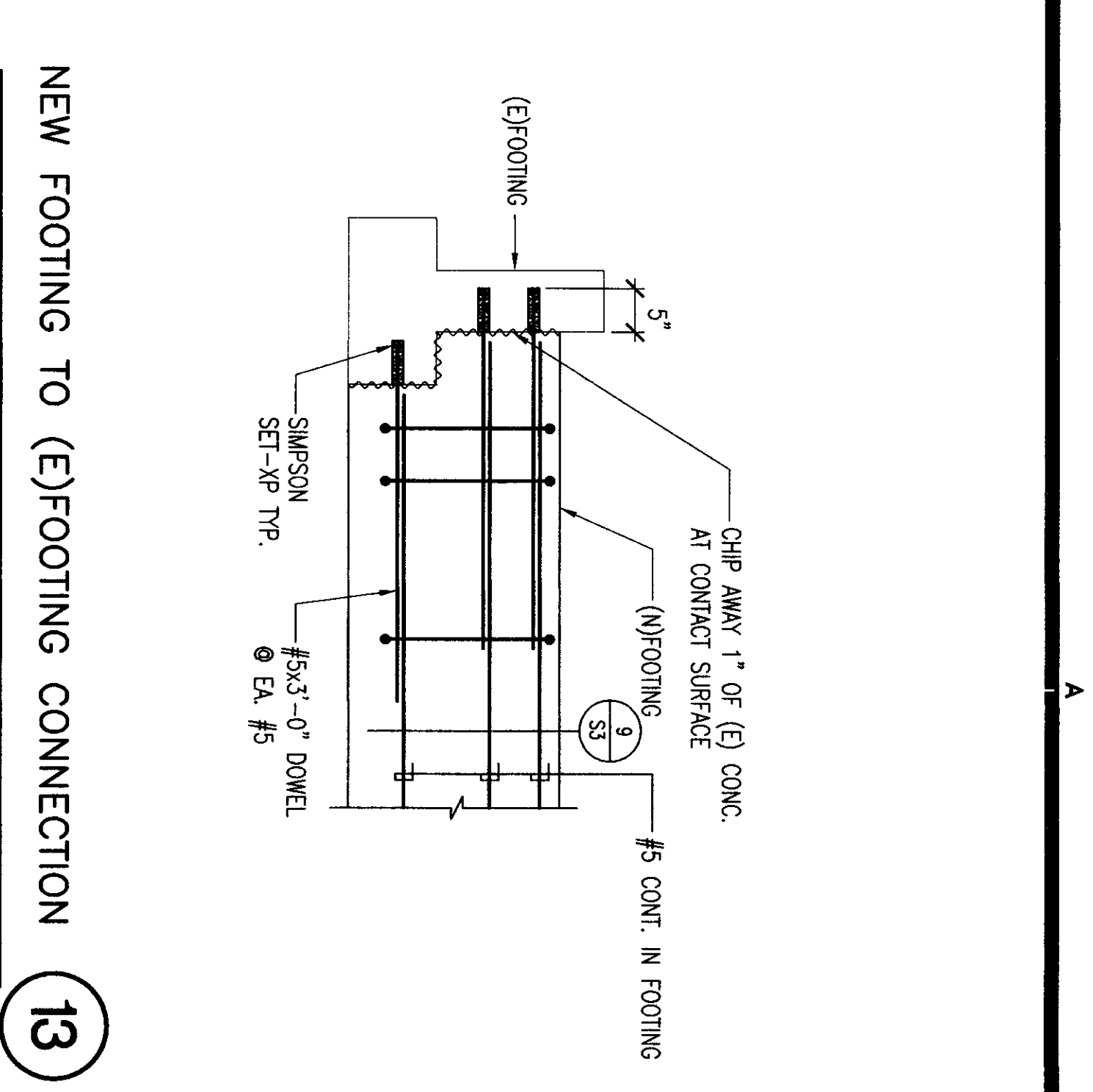
10 HOLD DOWN DETAIL



11 NEW PLYWOOD SHEAR PANEL



12 NEW PLYWOOD SHEAR PANEL



13 NEW FOOTING TO (E)FOOTING CONNECTION