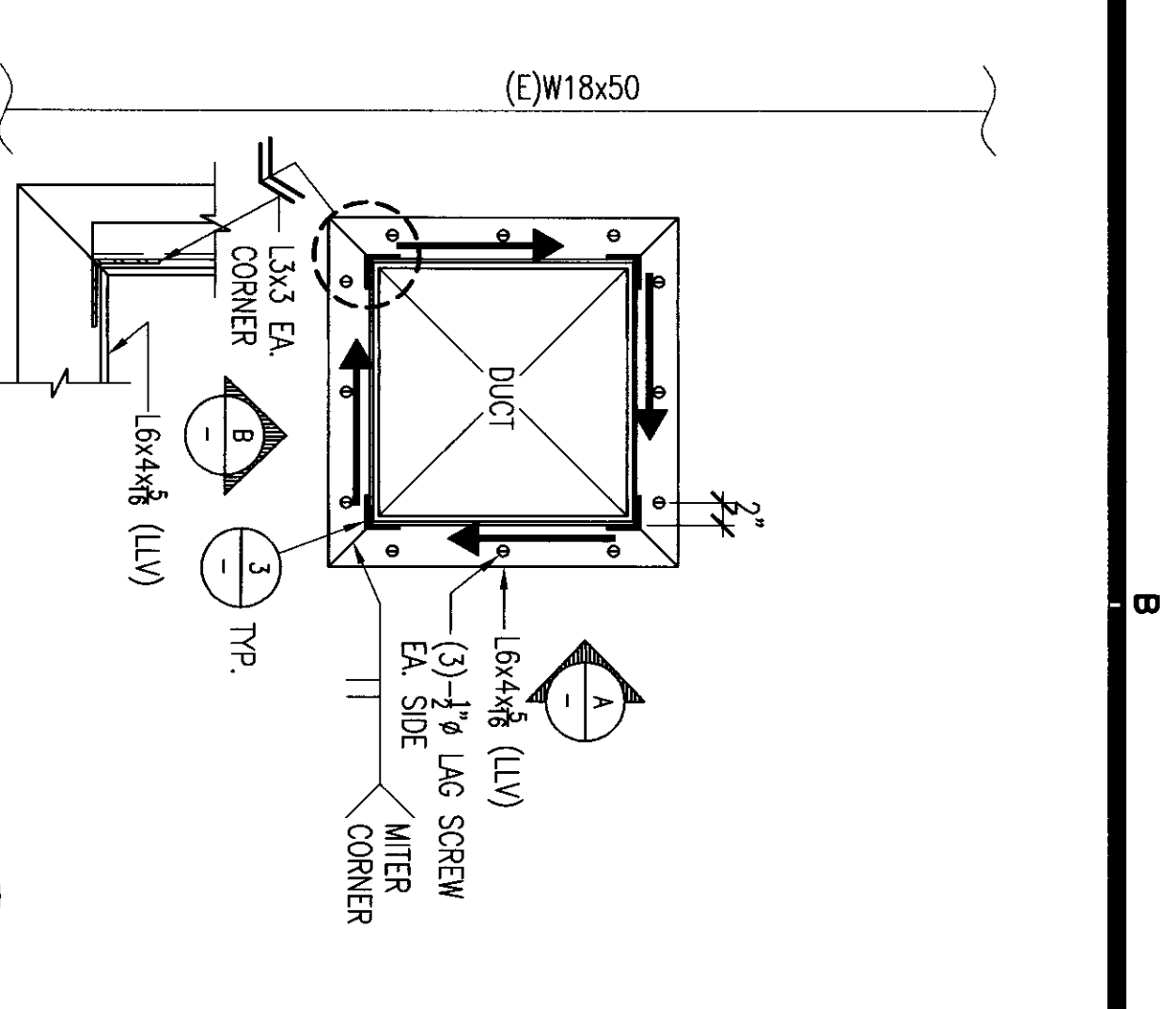
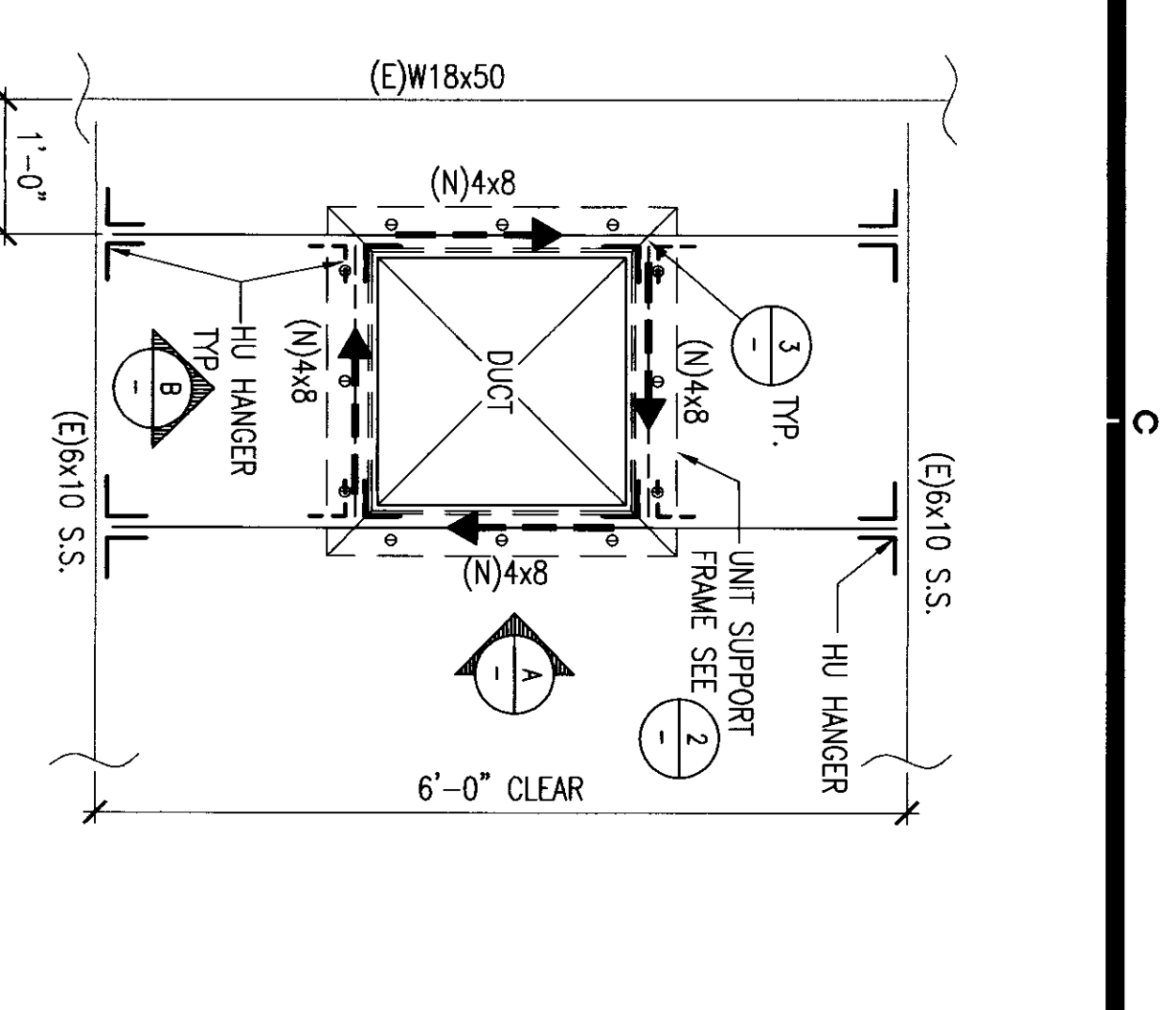


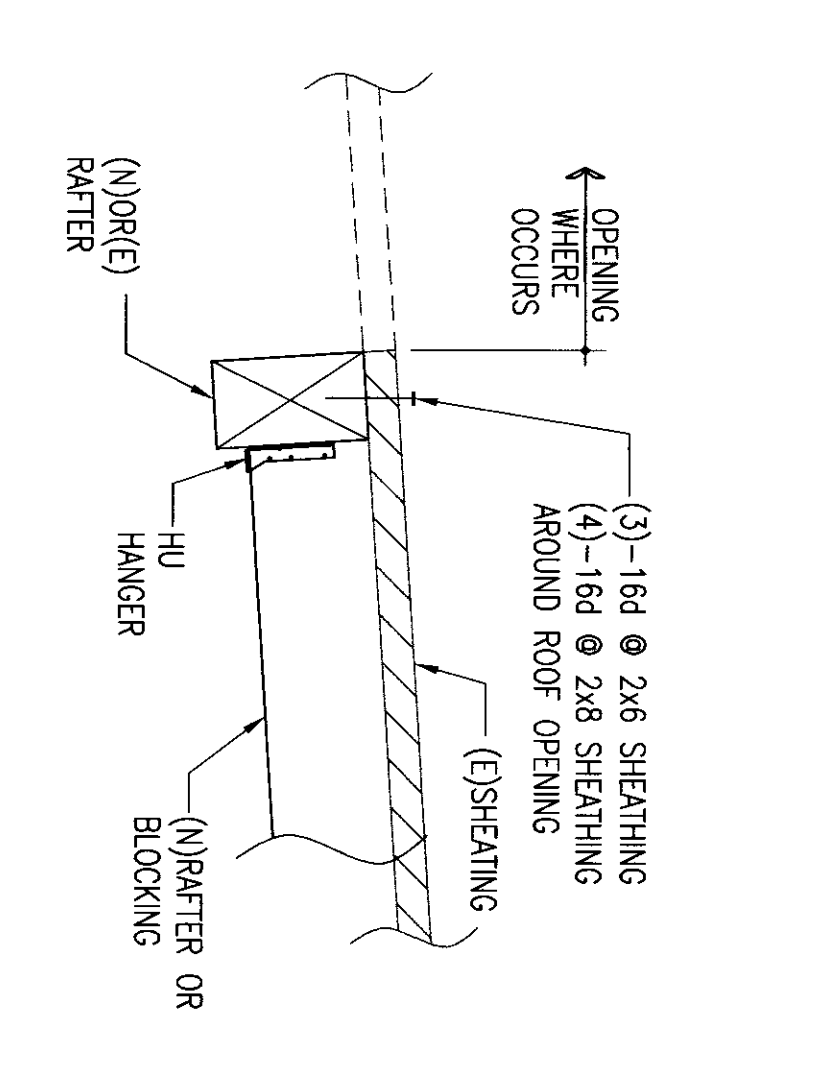
BRACED FRAME BASE CONNECTION 3



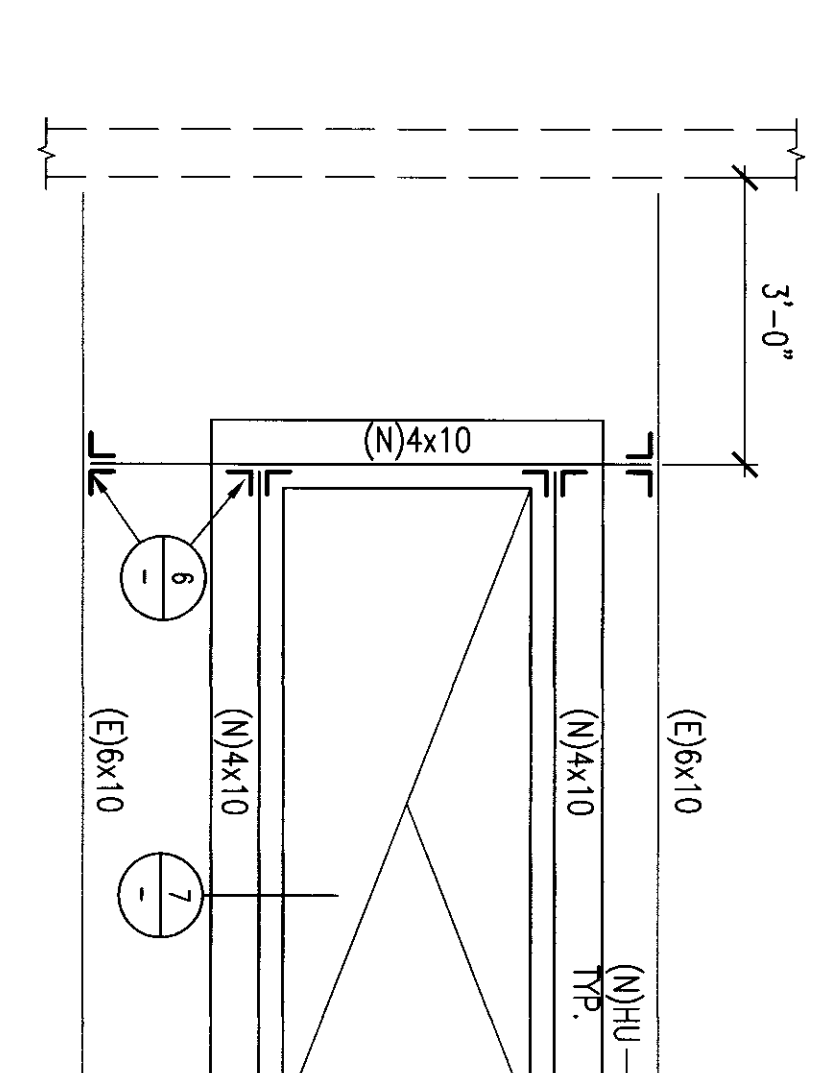
BRACED FRAME CONNECTION PLAN 2



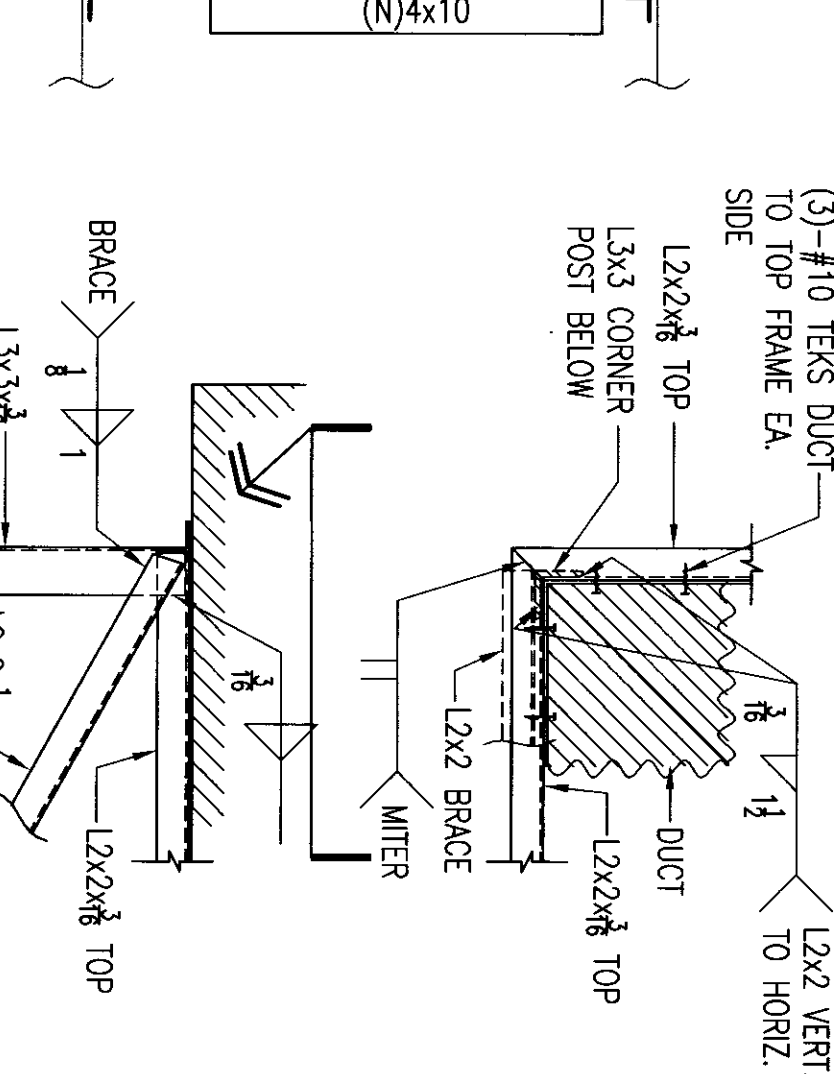
ROOF FRAMING PLAN @ E.C. 1



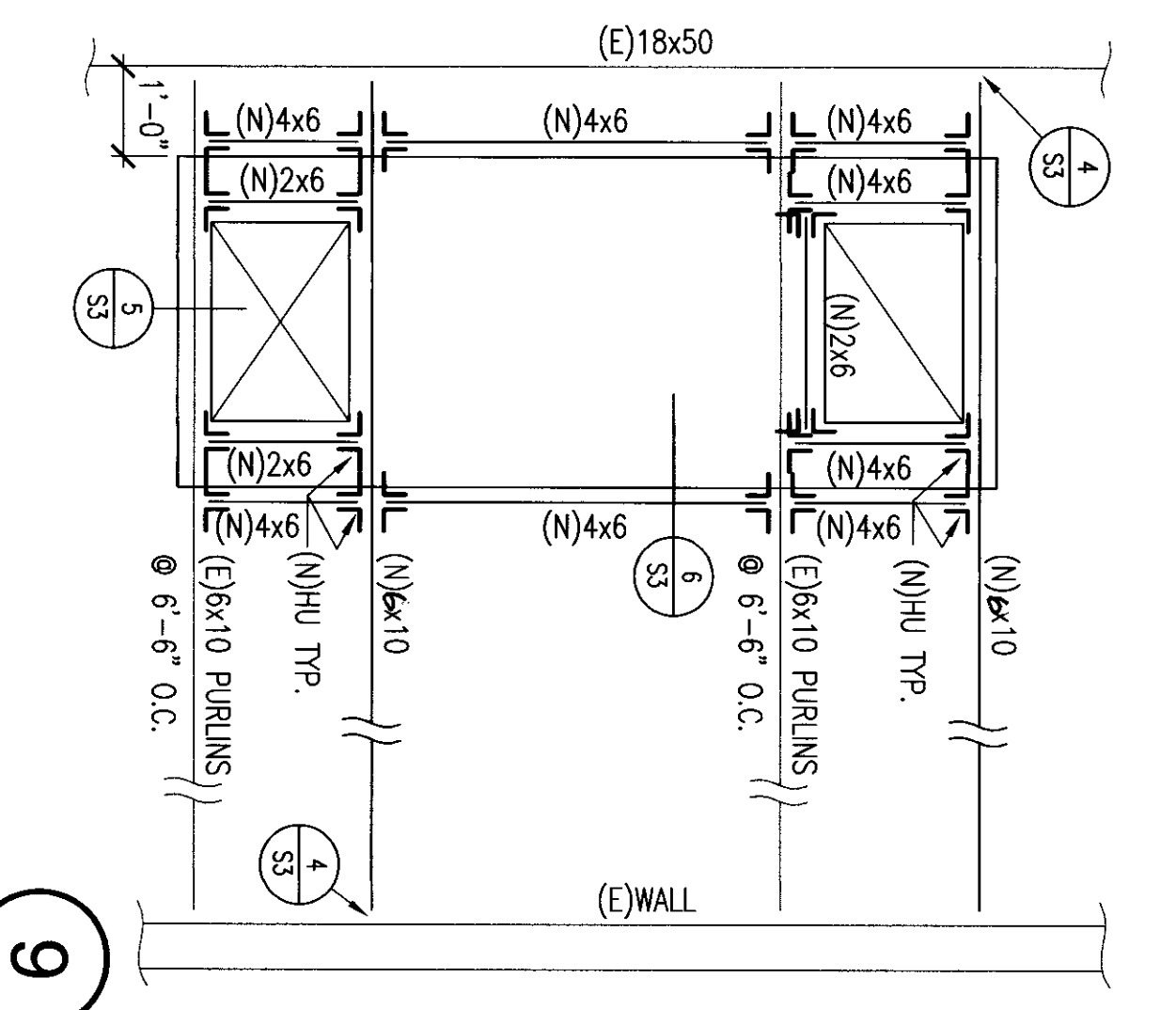
RAFTER CONNECTION 6



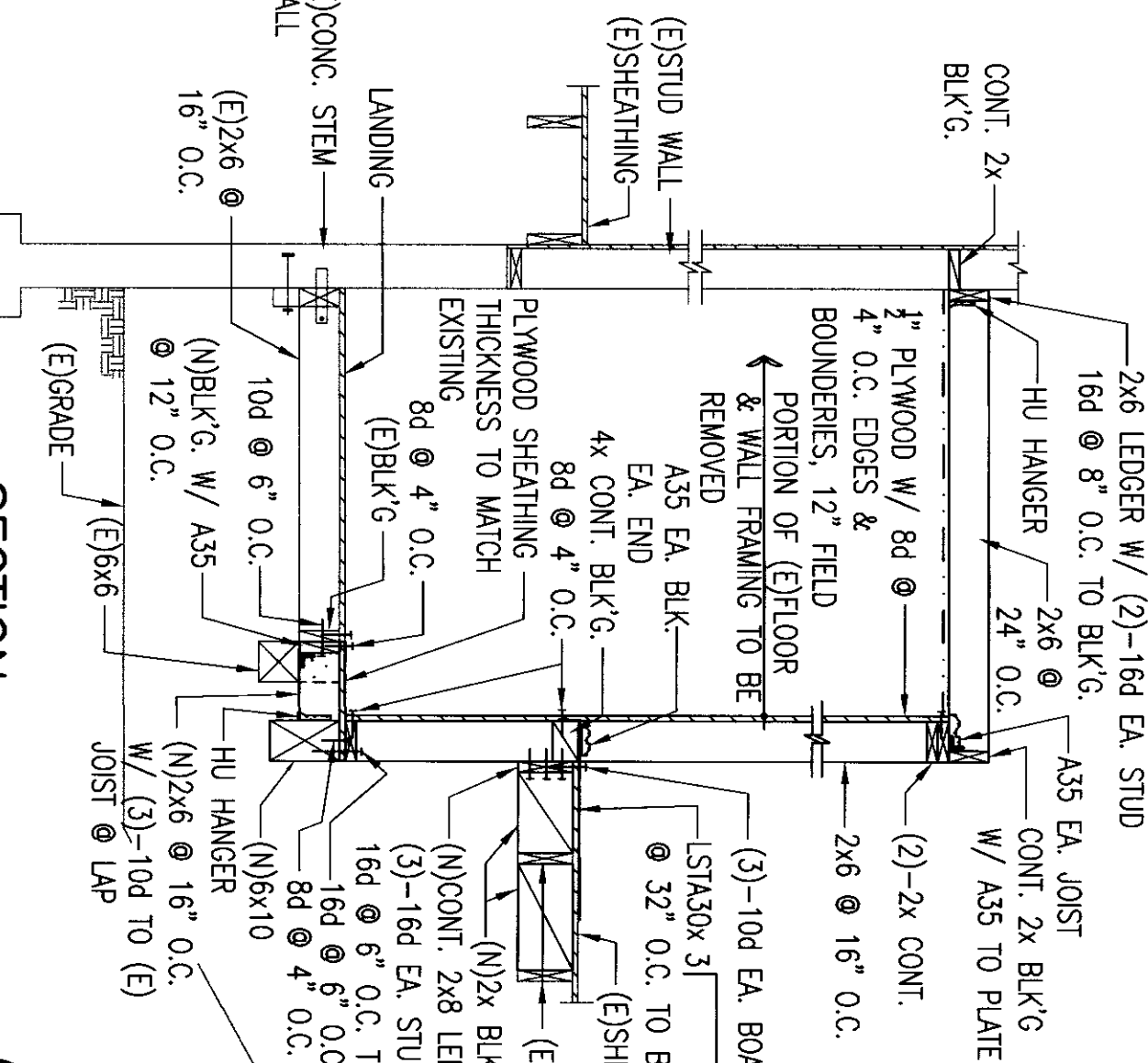
ROOF FRAMING PLAN @ RV 5



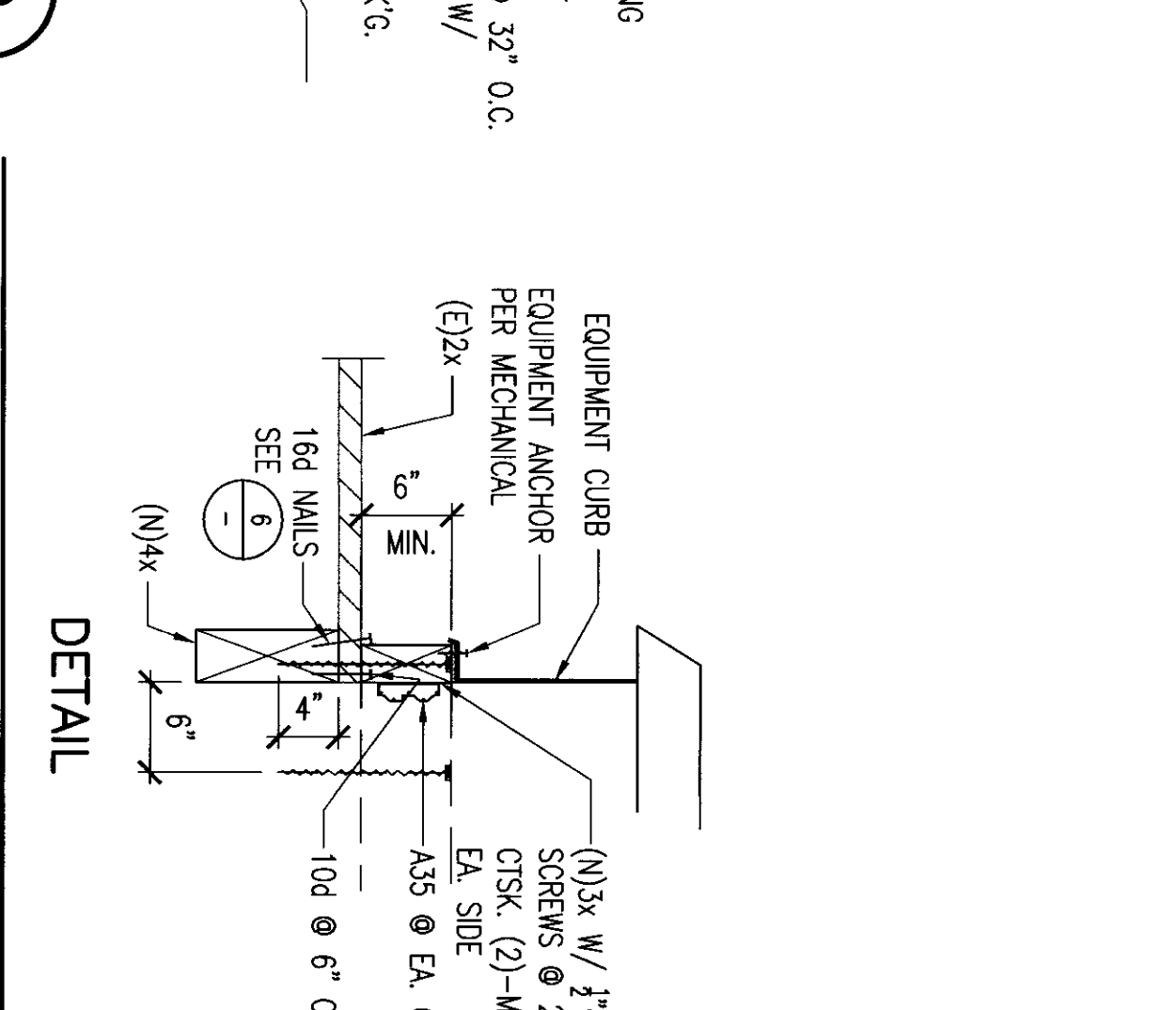
BRACED FRAME DETAIL 4



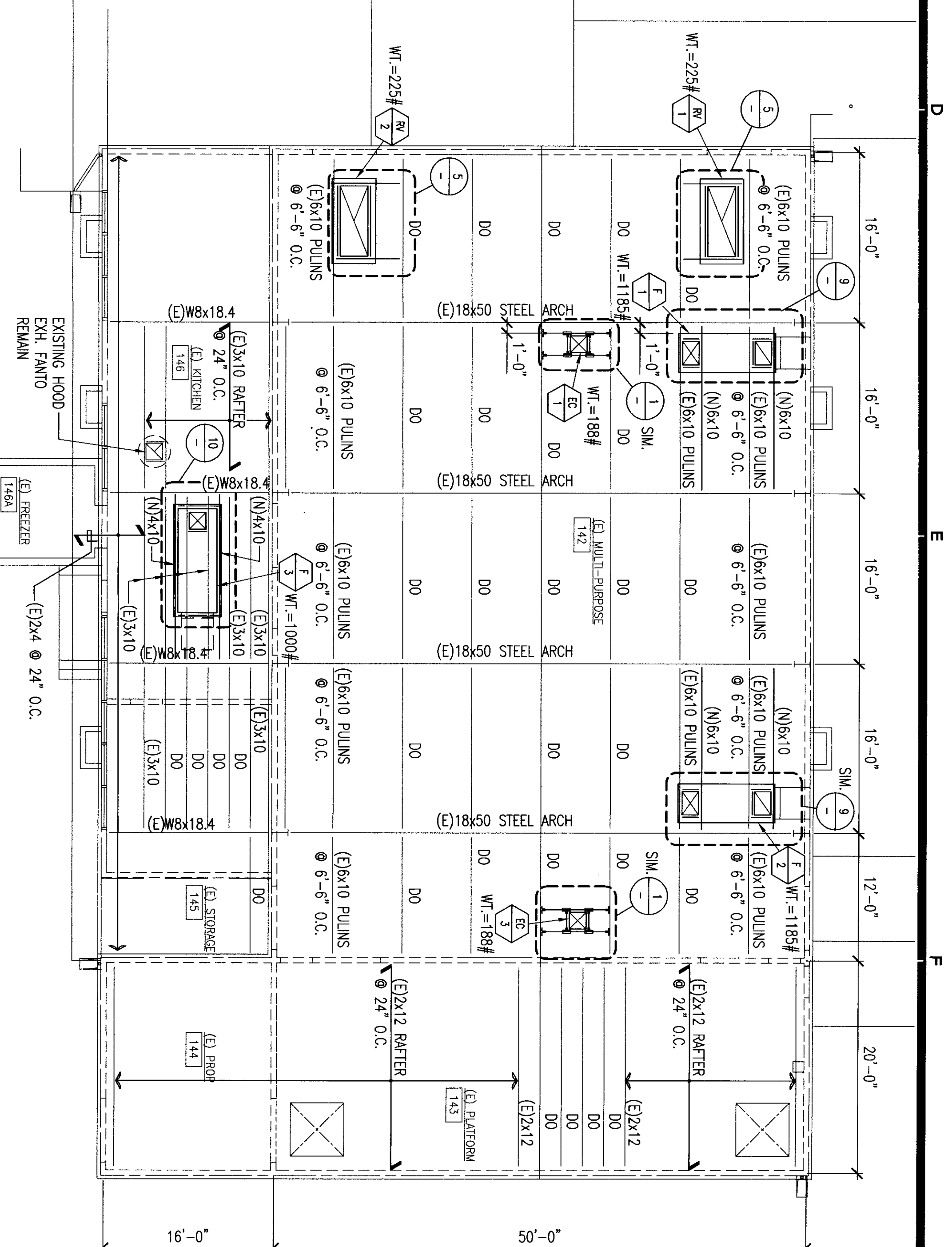
9



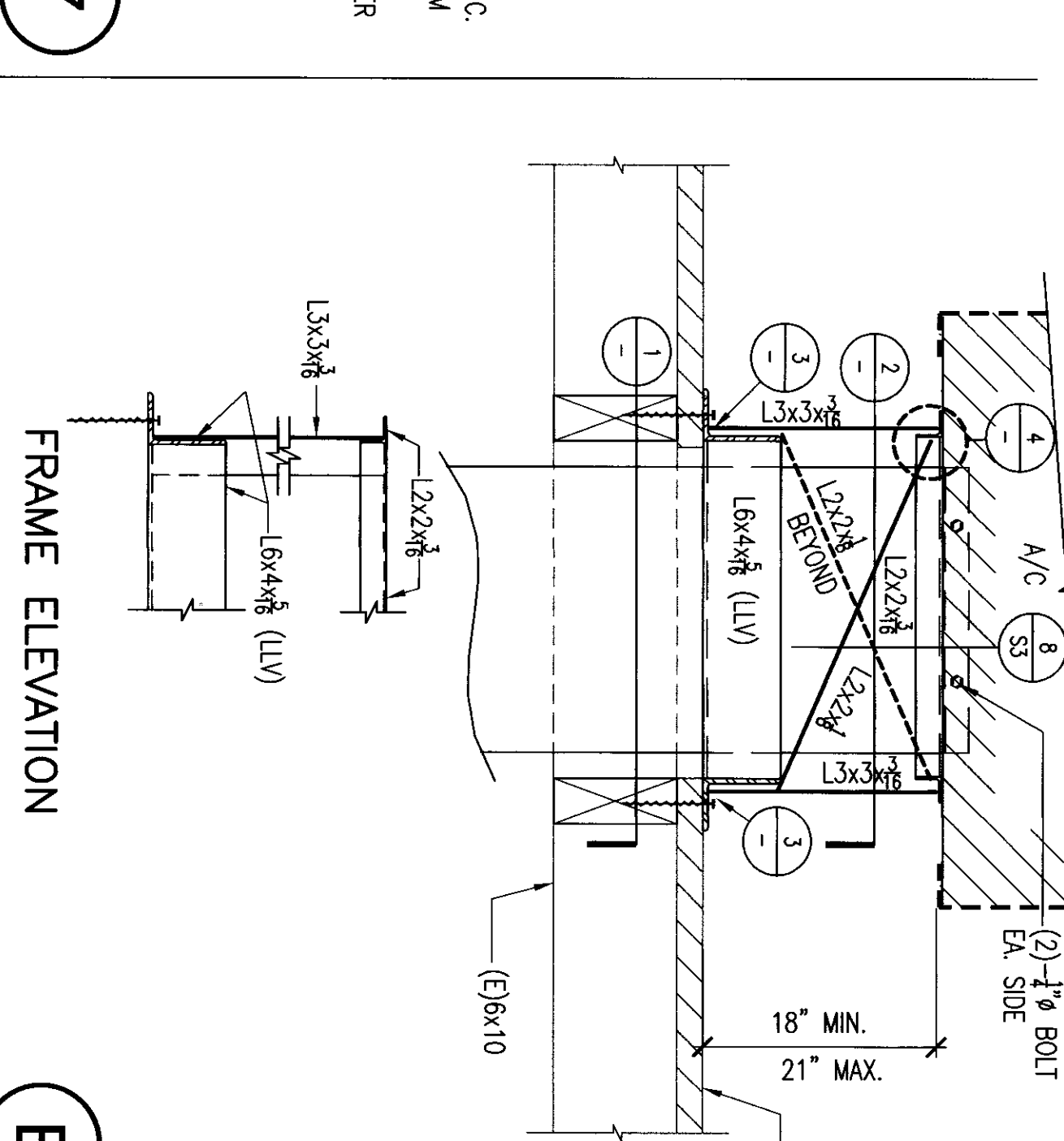
8



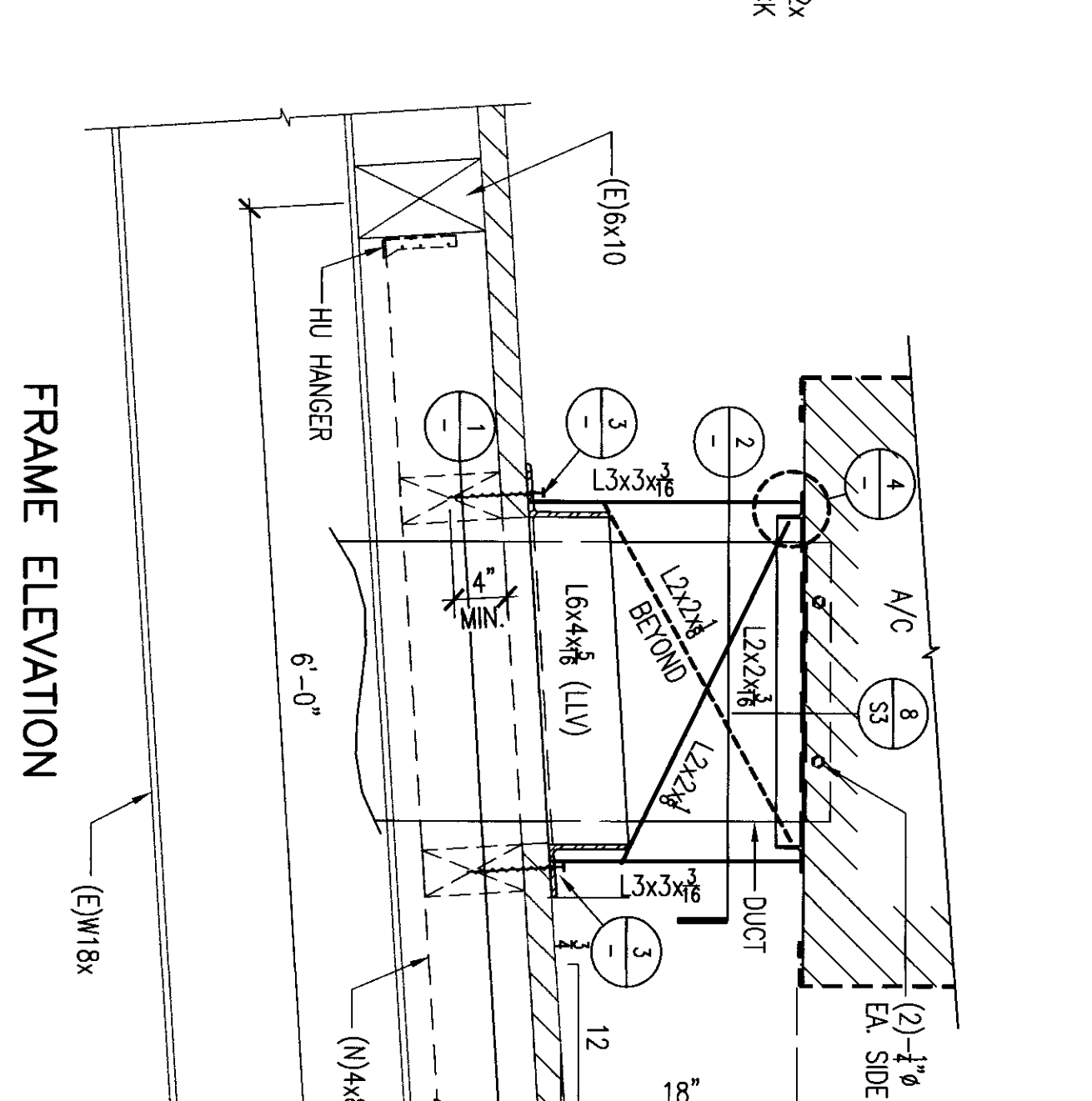
7



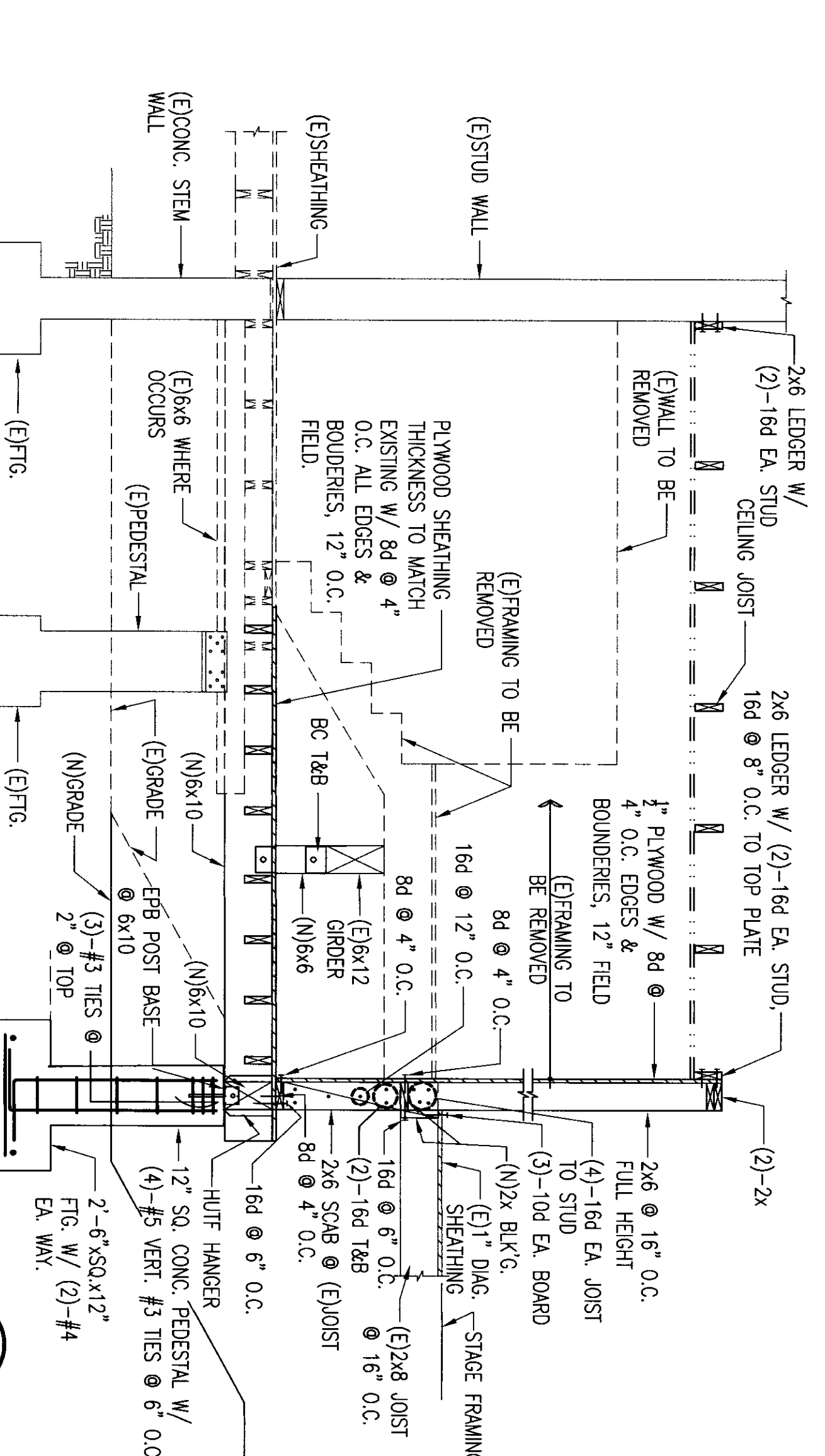
ROOF FRAMING PLAN BUILDING "G" SCALE: 1/8"=1'-0"



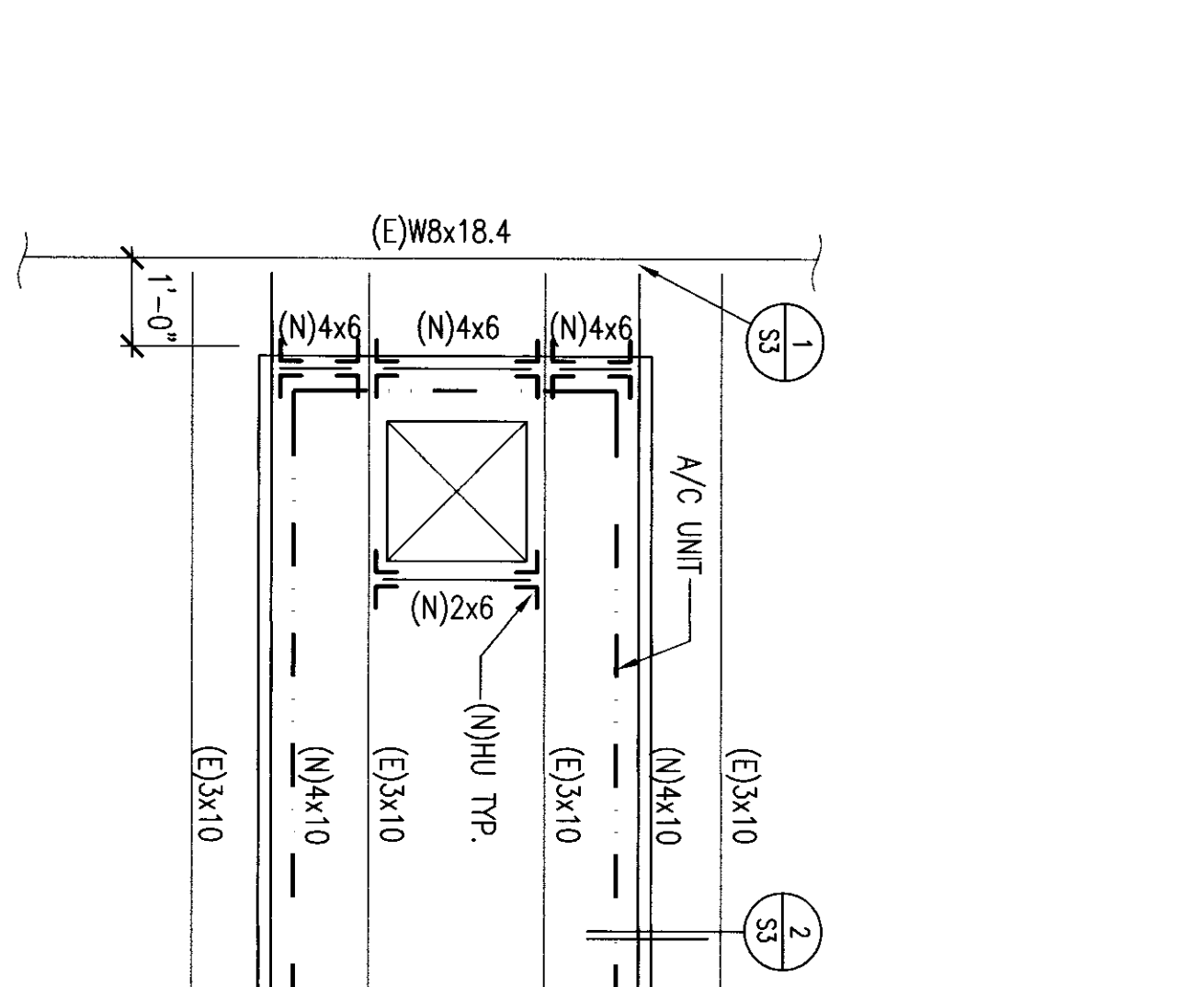
7



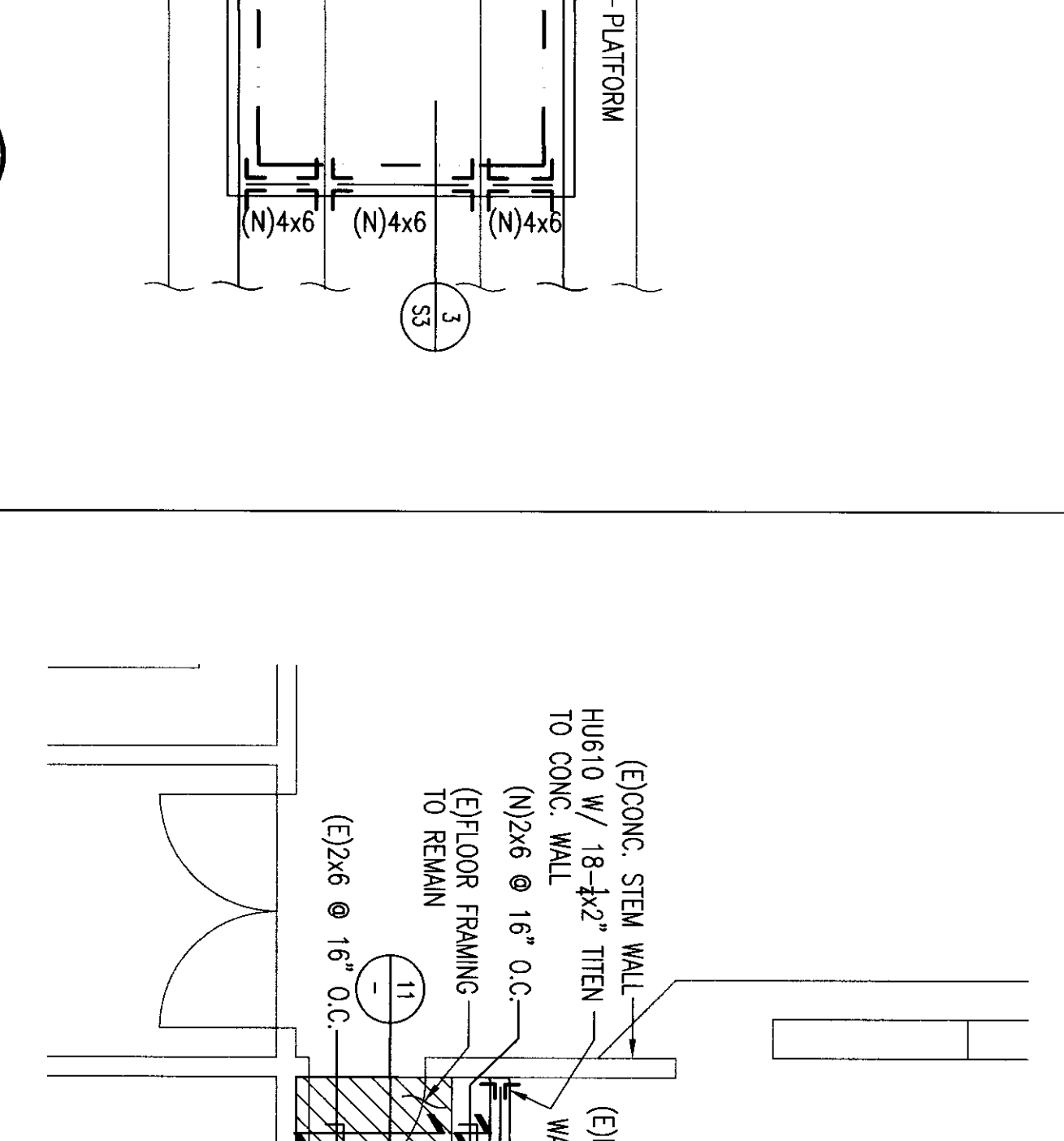
8



11



10



FRAMING PLAN @ CHAIR LIFT SCALE: 1/4"=1'-0"

FLEWELLING & MOODY
architects for education

HEADQUARTERS OFFICE:
141 South Lake Avenue, 2nd Floor
Pasadena, California 91107
Tel: 626.799.9999
Fax: 626.799.9999
E-Mail: flewelling@flewellingmoody.com

ANTELOPE VALLEY OFFICE:
1033 West Lincoln Road
Lodi, California 95240
Tel: 209.338.7777
Fax: 209.338.7777
E-Mail: antelope@flewellingmoody.com

An Encompass Group Corporation

JN JOHNSON & NIELSEN ASSOCIATES
REGISTERED PROFESSIONAL ARCHITECTS
1125 S. GARDEN AVENUE
SUITE 200
PASADENA, CA 91107
TEL: (626) 252-8888

REGISTERED PROFESSIONAL ENGINEERS
1125 S. GARDEN AVENUE
SUITE 200
PASADENA, CA 91107
TEL: (626) 252-8888

IDENTIFICATION STAMP
DATE: APR 11 2010
TIME: 11:28:17
PROJECT: MODERNIZATION PROJECT AT BAKERSFIELD CITY SCHOOL DISTRICT

MODERNIZATION PROJECT AT BAKERSFIELD CITY SCHOOL DISTRICT
2600 ROSE MAINE DRIVE
BAKERSFIELD, CA 93324

BAKERSFIELD CITY SCHOOL DISTRICT
ROOF FRAMING PLAN FOR BUILDING 'G'

DATE: 02-08-2010

PROJECT: S2