

SYMBOL	MAKE	MODEL	CAPACITY GAL	RECOVERY RATE GPM @ 57°FΔT	KW	AMP	VAC	PH	VEZ	DIMENSIONS	WEIGHT LBS	LOCATION BLOC	REMARKS
	CHROMITE	SR-40	-	832	40	208	1	60	9' x 6 1/4' x 2 3/4'	10	A3-C	WITH FLOW CONTROL	
	CHROMITE	SR-200	-	650 @ 57°FΔT	418	208	1	60	9' x 6 1/4' x 2 3/4'	10	B	WITH FLOW CONTROL	

OPERATING LOCATION

OPERATING LOCATION	REMARKS
BLOC	WITH FLOW CONTROL
A3-C	WITH FLOW CONTROL
B	WITH FLOW CONTROL

GENERAL NOTES

- VERIFY LOCATION OF EXISTING PLUMBING SERVICES BEFORE STARTING ANY TREKING AND NEW PLUMBING WORK.
- REFER TO ARCHITECTURAL DRAWINGS FOR DIMENSIONED LOCATION AND INSTALLATION OF ACCESSIBLE PLUMBING FIXTURE.
- AT ACCESSIBLE LAVATOIRES AND SINKS INSULATE ALL EXPOSED PIPING UNDER FIXTURE AS PER SPEC.
- IN PAVED WALKWAYS SUBJECT TO FOOT TRAFFIC, NATURAL GAS AND DOMESTIC WATER SUPPLY RISERS TO INDIVIDUAL BUILDINGS, WHERE LOCATED ON THE OUTSIDE OF THE BUILDING WALL, SHALL BE PROTECTED WITH AN UNDERGROUND SUPPLY LINES ACROSS FOOTINGS AND OBSTRUCTIONS SHALL BE PROVIDED TO MAINTAIN THE REQUIRED CLEARANCE.

DSA REQUIREMENTS

CUTTING, BORING, SAMCUTTING OR DRILLING THROUGH THE NEW OR EXISTING STRUCTURAL ELEMENTS TO BE DONE ONLY WHEN DETAIL IN THE DRAWINGS OR ACCEPTED BY THE ARCHITECT AND STRUCTURAL ENGINEER WITH THE APPROVAL OF DSA REPRESENTATIVE.

ALL WELDING SHALL BE SPECIFICALLY INSPECTED BY AN AWS-CWI QUALIFIED INSPECTOR APPROVED BY DSA/DORS.

ALL BRACING OF DUCT AND PIPINGS SHALL BE INSTALLED IN ACCORDANCE WITH SAKOMA GUIDELINES AS APPROVED BY DSA. WHERE BRACING DETAILS ARE NOT SHOWN ON THE DRAWINGS OR IN THE GUIDELINES, THE FIELD INSTALLATION SHALL BE SUBJECT TO THE APPROVAL OF THE ARCHITECT, MECHANICAL ENGINEER AND DSA FIELD ENGINEER.

A COPY OF THE GUIDELINES PUBLISHED BY SAKOMA AND APPROVED BY DSA SHALL BE PROVIDED BY THE CONTRACTOR AND KEPT ON THE JOB AT ALL TIMES.

ALL WORK SHALL CONFORM WITH TITLE 24, CBC 2007, CALIFORNIA PLUMBING CODE AND AMENDMENTS.

PLUMBING LEGEND

SYMBOL	ABBREV.	DESCRIPTION	DETAIL
	WC	WATER CLOSET	1
	LAV	LAVATORY	2
	SK	SINK	3
	FAUCET	FAUCET	4
	DF	DRAINAGE FIXTURE	5
	FD	FLOOR DRAIN	6
	SL	SEWER LINE	7
	VP	VENT PIPE	8
	WL	WATER LINE	9
	GL	GAS LINE	10
	FP	FIRE PROTECTION	11

PLUMBING FIXTURE SCHEDULE

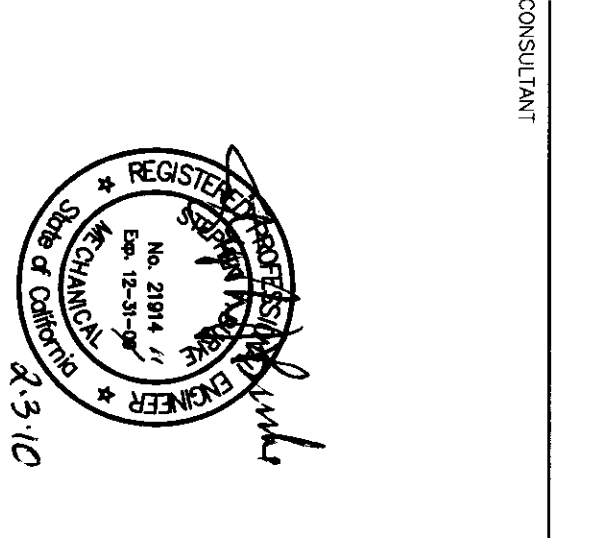
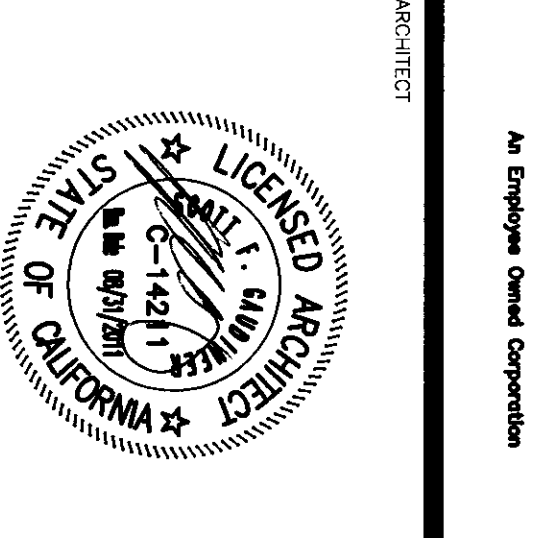
SYMBOL	DESCRIPTION	TYPE	WATER	VENT	PIPE	CONNECTIONS	REMARKS
	WATER CLOSET	INTERIAL	1/2"	1/2"	1/2"	1/2"	FLOOR MOUNTED TANK TYPE 1.6 GPM, 17" HIGH FOR STAFF ACCESSIBLE USE, BLOC 2"
	LAVATORY	INTERIAL	1/2"	1/2"	1/2"	1/2"	STANDARD ACCESSIBLE, 17" FLOOR MOUNTED WITH PL, 1.6 GPM, BLOC A, B
	SINK	INTERIAL	1/2"	1/2"	1/2"	1/2"	STAFF ACCESSIBLE, 17" FLOOR MOUNTED WITH PL 1.6 GPM, BLOC B
	FAUCET	INTERIAL	1/2"	1/2"	1/2"	1/2"	STANDARD ACCESSIBLE WALL MOUNTED, 17" HIGH WITH PL, 1.6 GPM, BLOC A, B, C
	DRAINAGE FIXTURE	INTERIAL	1/2"	1/2"	1/2"	1/2"	STANDARD ACCESSIBLE WALL MOUNTED, 17" HIGH WITH PL, 1.6 GPM, BLOC A, B, C
	FLOOR DRAIN	INTERIAL	1/2"	1/2"	1/2"	1/2"	STANDARD ACCESSIBLE WALL MOUNTED, 17" HIGH WITH PL, 1.6 GPM, BLOC A, B, C

* INDICATES ADA ACCESSIBLE PLUMBING FIXTURES



HEADQUARTERS OFFICE:
141 South Lake Avenue, 2nd Floor
Pasadena, California 91107
Tel: 626.799.1411
Fax: 626.799.1412
Email: info@flemwelling.com

ANTELOPE VALLEY OFFICE:
1025 West Lincoln Boulevard
Antelope, California 95610
Tel: 916.337.3333
Fax: 916.337.3334
Email: antelope@flemwelling.com



IDENTIFICATION STAMP
DIV. OF THE STATE ARCHITECT
APPROX 11 28 11
J. K. SB
DATE APR 18 2010

Drawn by: J. K. SB
Checked by: J. K. SB
Scale: 1/4" = 1'-0"

BAKERSFIELD CITY SCHOOL DISTRICT
EVERGREEN ELEMENTARY SCHOOL

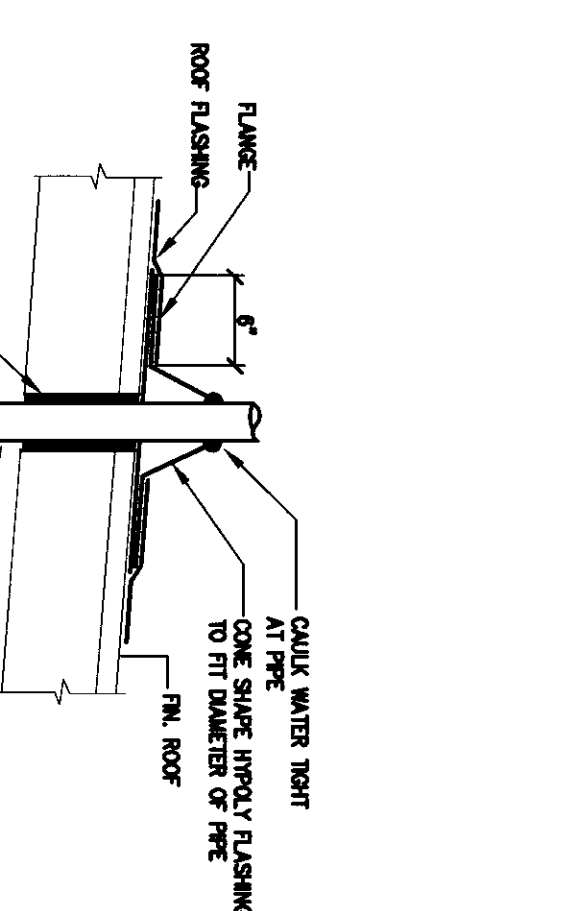
2820 ROSE MARIE DRIVE
BAKERSFIELD, CA 93304-4239

SCHEDULES, LEGEND,
DETAILS AND NOTES

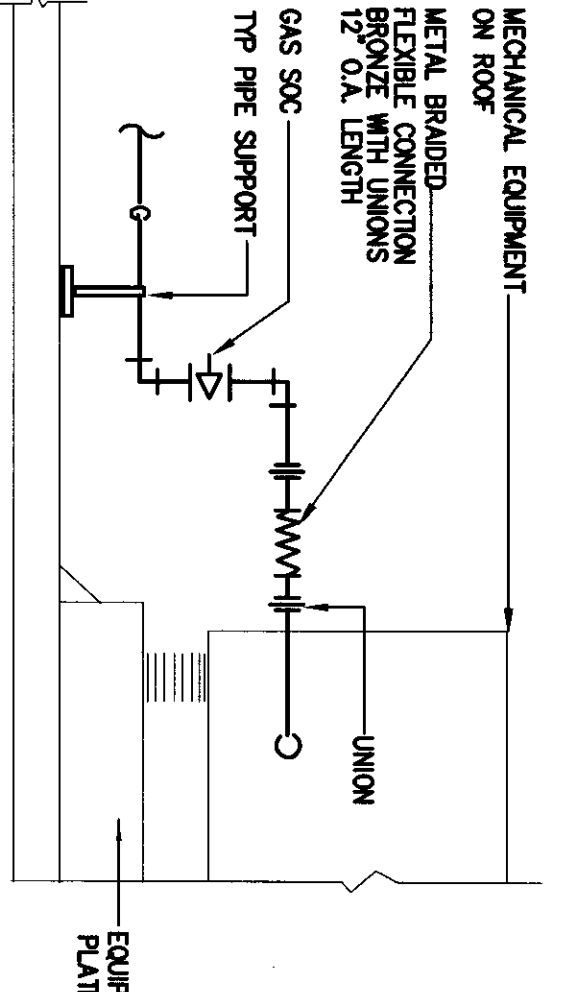
1894-0200
08-19-08

P0.01

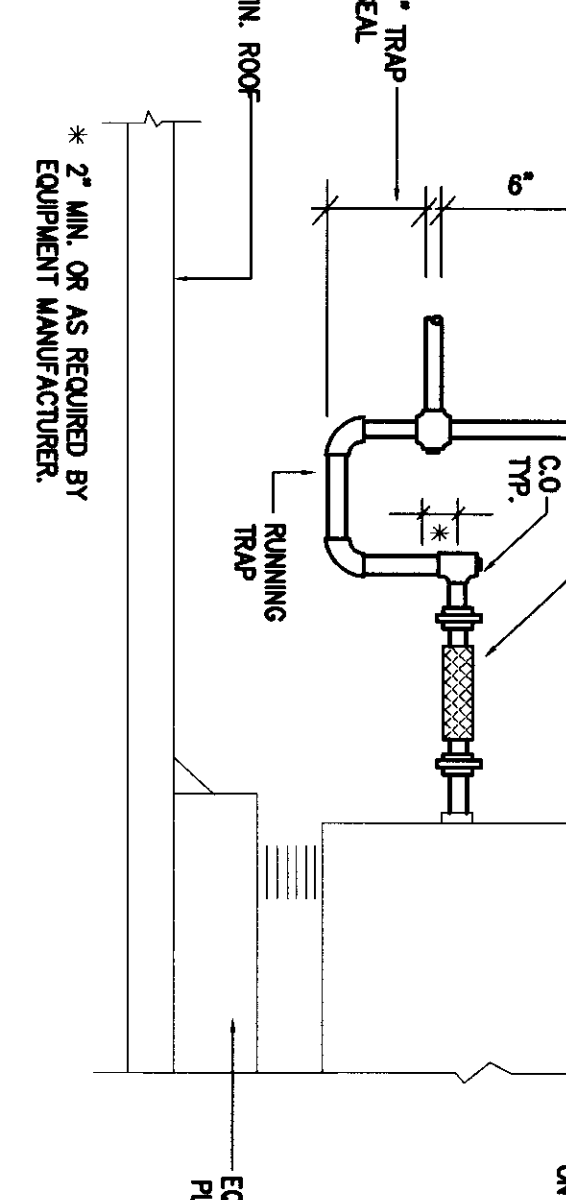
TYP. ROOF PENETRATION DETAIL
NOT TO SCALE



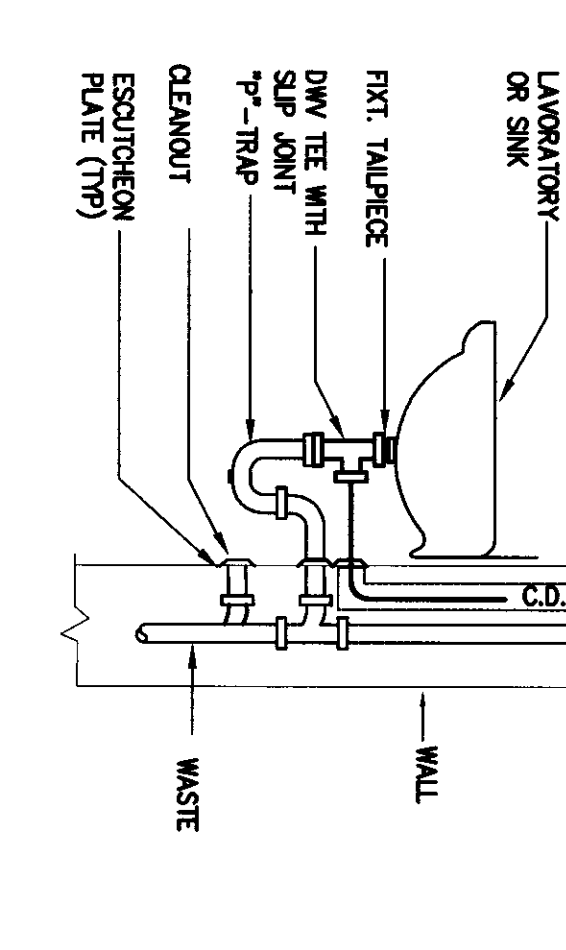
ROOF MOUNTED A/C UNITS
NOT TO SCALE



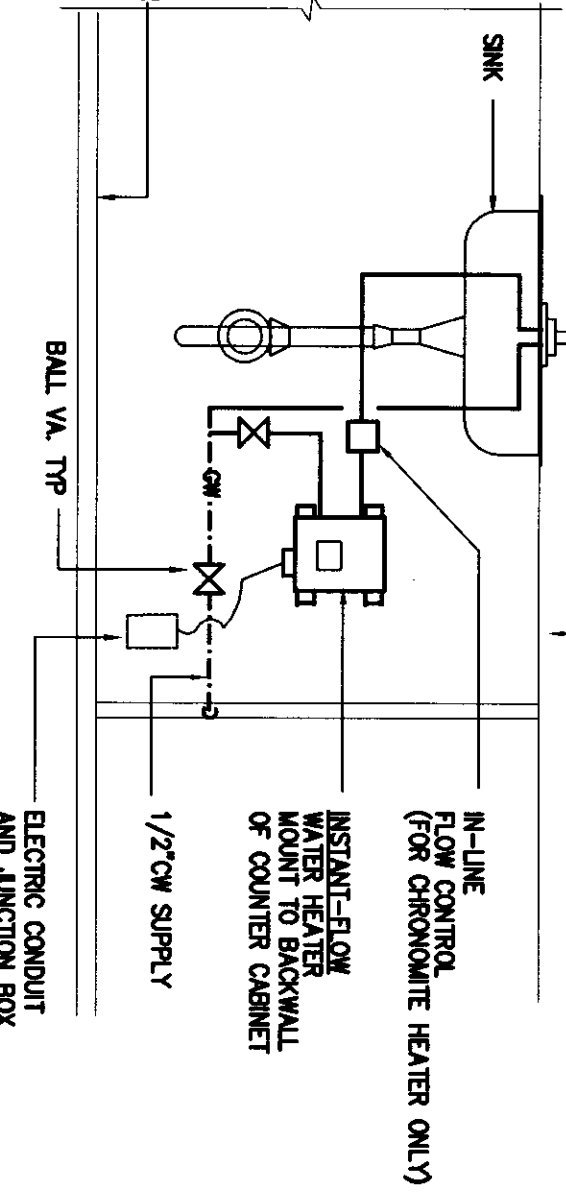
TYP. CONDENSATE DRAIN CONNECTION AT ROOF MOUNTED A/C UNITS
NOT TO SCALE



TYP. CONDENSATE DRAIN DISCHARGE DETAIL
NOT TO SCALE



INSTANT FLOW WATER HEATER DETAIL
NOT TO SCALE



INSTANT FLOW WATER HEATER DETAIL
NOT TO SCALE

