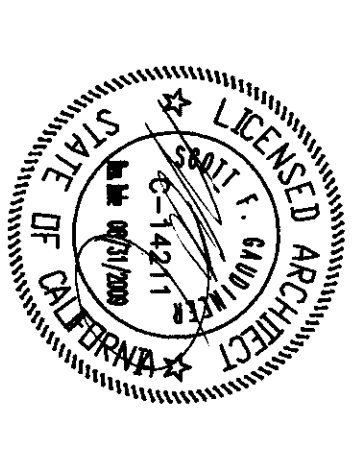


FLEWELLING & MOODY
architects for education

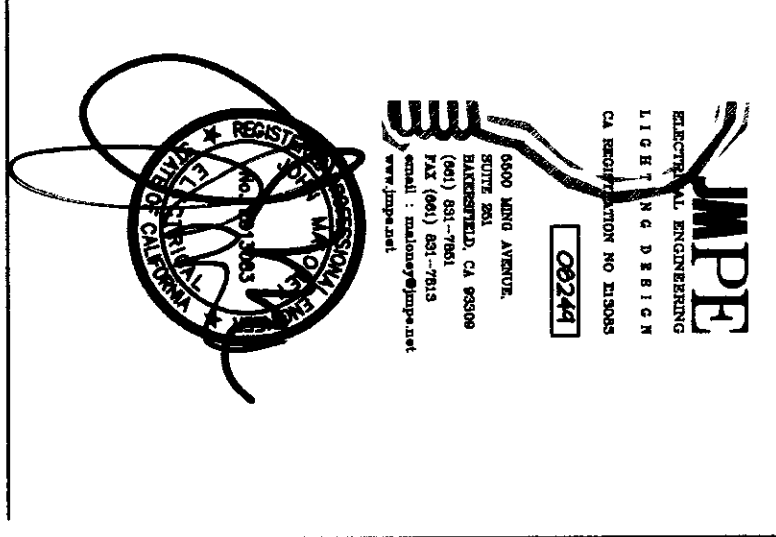
HEADQUARTERS OFFICE
11700
Petaluma, California 94951
415.442.8277 FAX 415.442.8777
Email: projects@flemwood.com
www.flemwood.com

ANTELOPE VALLEY OFFICE
1033 Main, Livermore, California
94550
925.437.7777 FAX 925.437.7777
Email: valley@flemwood.com
www.flemwood.com

An Employee Owned Corporation



CONSULTANT
JIMPE
JAMES I. MURPHY, P.E.
11700
Petaluma, California 94951
415.442.8277 FAX 415.442.8777
Email: projects@flemwood.com
www.flemwood.com



APPROVED
IDENTIFICATION STAMP
DIV. OF THE STATE ARCHITECT
APPROX. 11.28.17
AC/11/12817
DATE: APR 18 2010

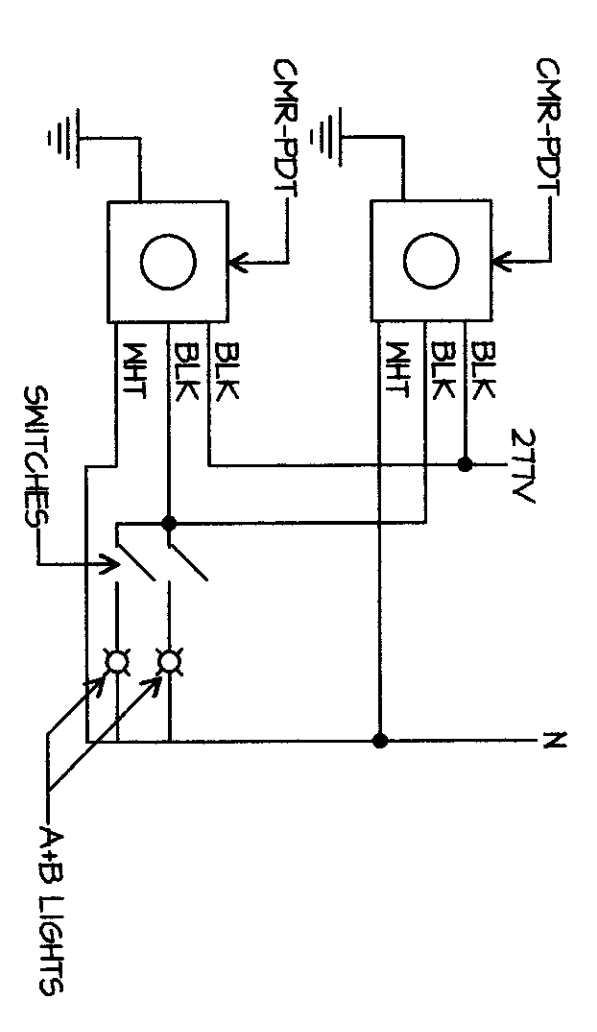
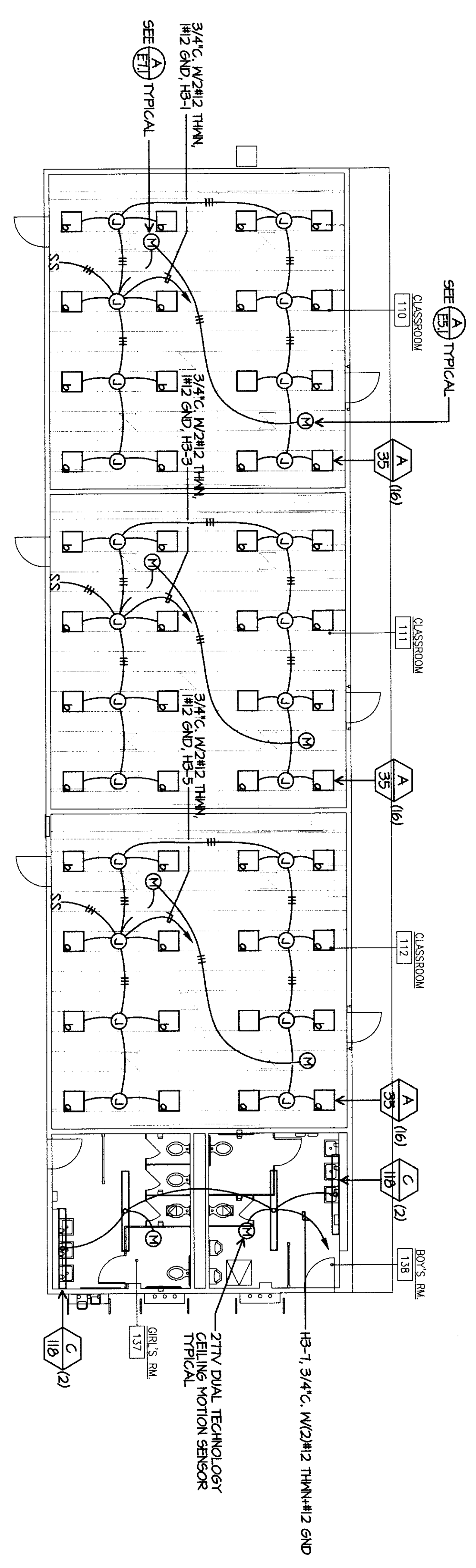
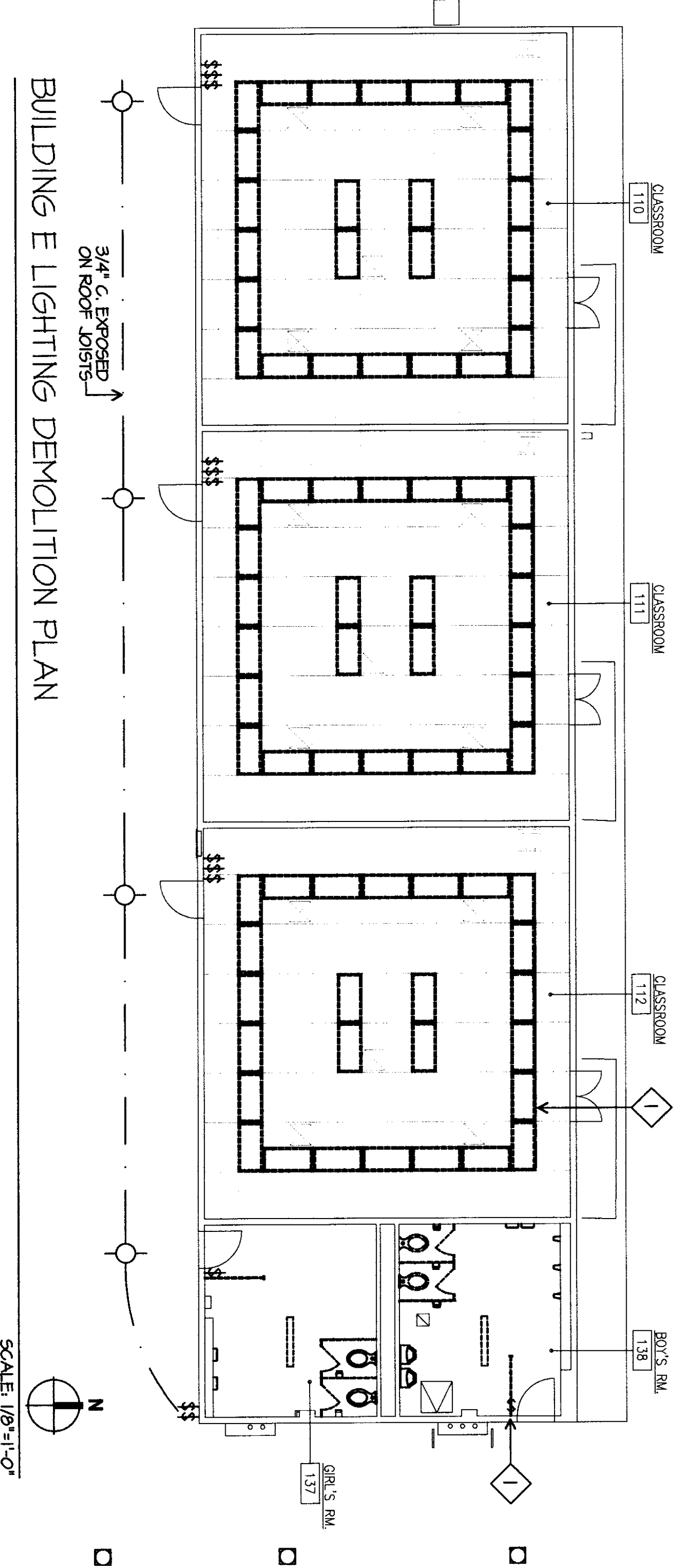
MOZUNKATON PROJECT AT
EVERGREEN ELEMENTARY SCHOOL
2600 ROSE MAINE DRIVE
BAKERSFIELD, CA 93304

BAKERSFIELD CITY SCHOOL DISTRICT

BUILDING E LIGHTING
DEMOLITION PLAN
BUILDING E LIGHTING
PLAN

JOB NO.
1894200
DATE
1-14-2009
E-7.1

- LIGHTING DEMOLITION PLAN NOTES
- 1 REMOVE AND DISPOSE OF EXISTING LIGHT FIXTURES COMPLETE. DEMOLISH EXISTING CONDUIT BACK TO SERVING PANEL.
 - 2 REMOVE AND DISPOSE OF ALL SWITCHES IN BUILDING.



CLASSROOM MOTION SENSOR WIRING DIAGRAM