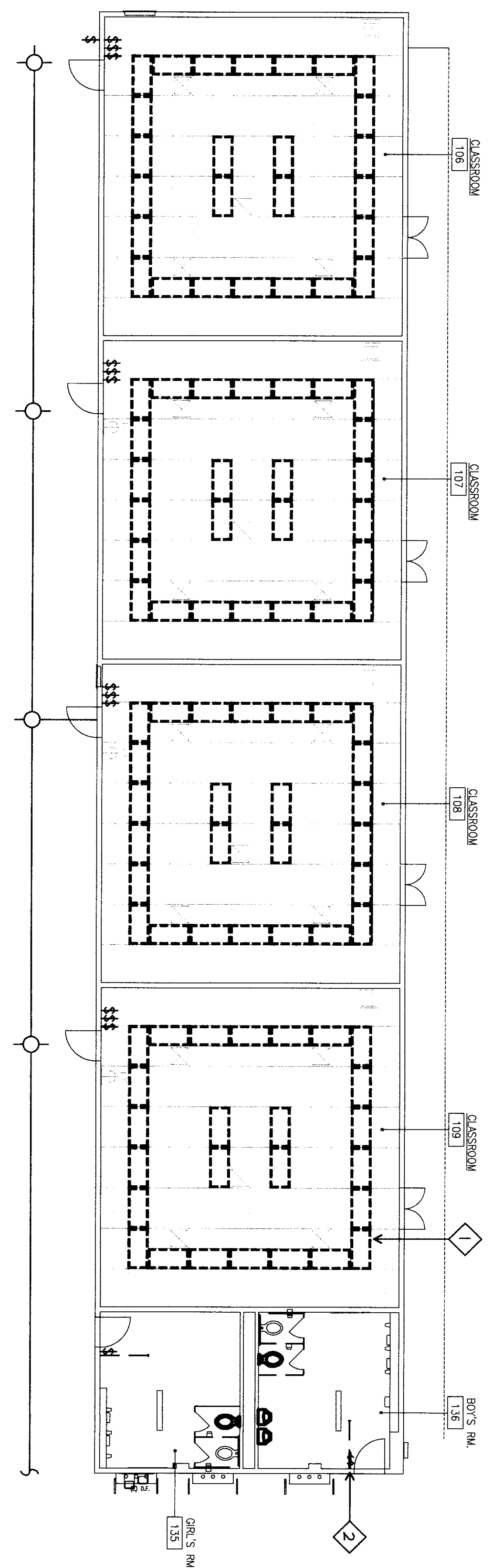
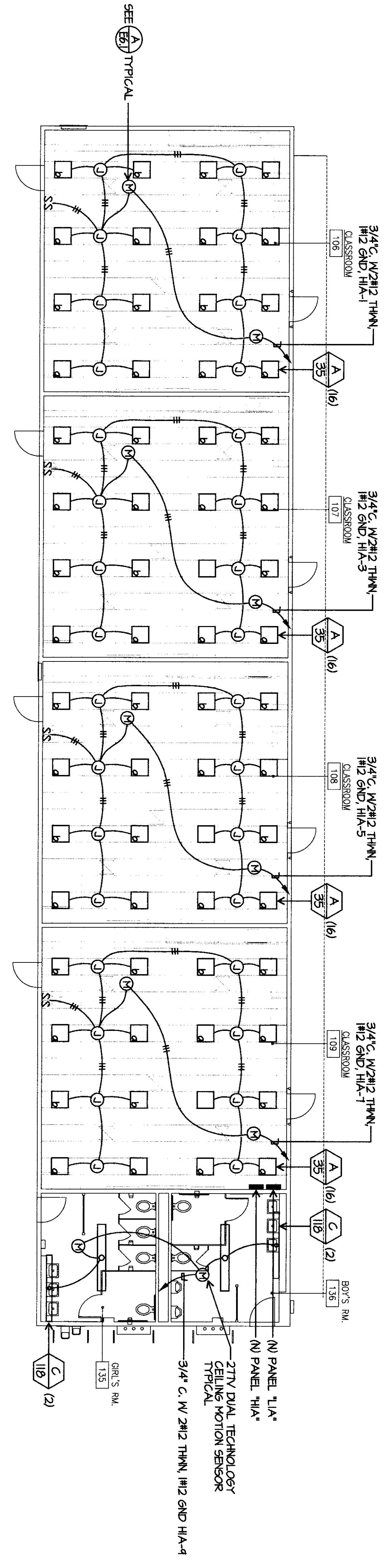


- LIGHTING DEMOLITION PLAN NOTES**
- 1 REMOVE AND DISPOSE OF EXISTING LIGHT FIXTURES COMPLETE. DEMOLISH EXISTING CONDUIT BACK TO SERVING PANEL.
  - 2 REMOVE AND DISPOSE OF ALL SWITCHES IN BUILDING.



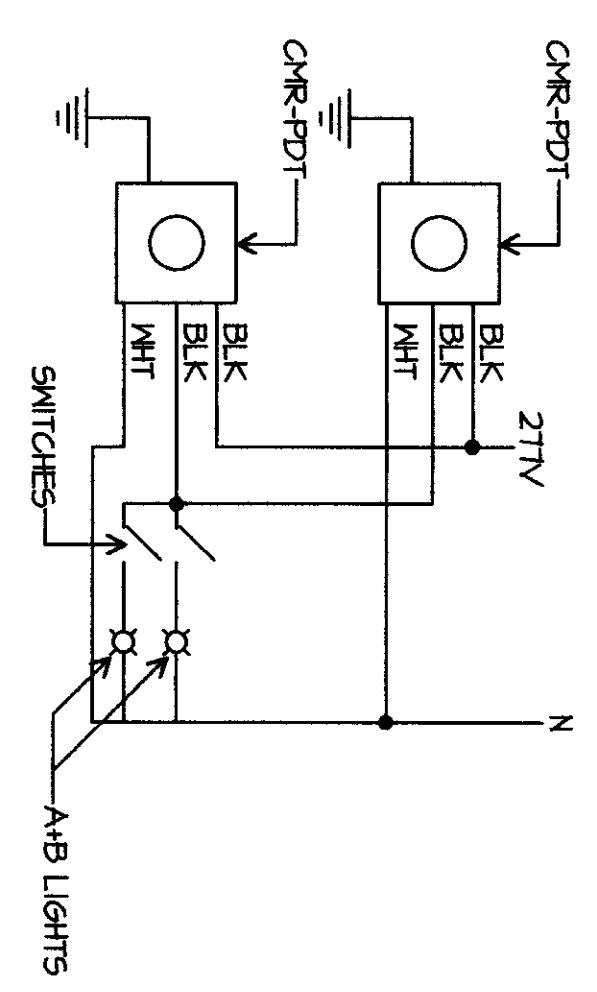
BUILDING D LIGHTING DEMOLITION PLAN

SCALE: 1/8"=1'-0"

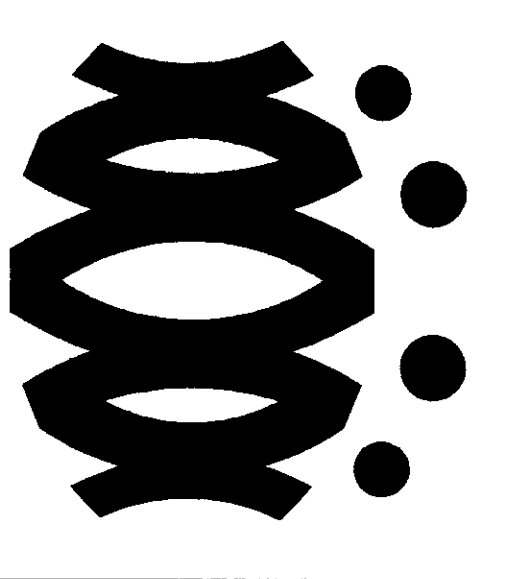


BUILDING D LIGHTING PLAN

SCALE: 1/8"=1'-0"



CLASSROOM MOTION SENSOR WIRING DIAGRAM

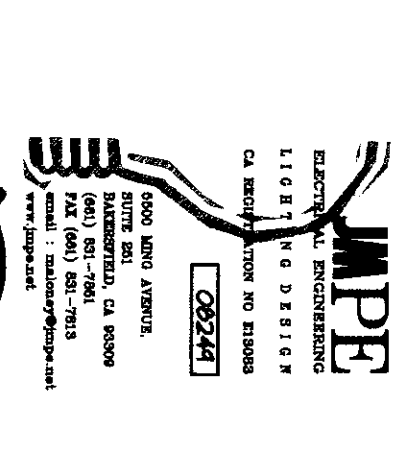
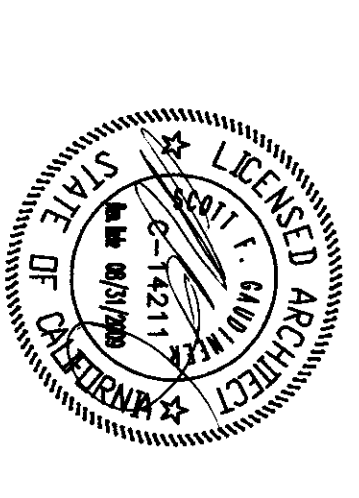


**FLEWELLING & MODOY**  
architects education

**HEADQUARTERS OFFICE:**  
141 South Lake Avenue, 20th floor  
Anaheim, California 92817  
Phone: 714.761.1117  
Email: flewelling@flewellingmody.com

**ANIERLOPE WALLEY OFFICE:**  
1038 West Lincoln Boulevard  
Anaheim, California 92815  
Phone: 714.761.1117  
Email: flewelling@flewellingmody.com

An Employee Owned Corporation



**REGISTRATION STAMP**  
DIV OF THE STATE ARCHITECT  
APPROD 112817  
A.C. WILSON  
DATE 11/13/2009

Drawn by	AC
Checked by	PH
Reviewed by	
No. / Date	1 / 11/13/09
Description	

**MONTECATINI PROJECT AT**  
**EVERGREEN ELEMENTARY SCHOOL**  
3080 EVERGREEN DRIVE  
BAKERSFIELD, CA 93309

**BAKERSFIELD CITY SCHOOL DISTRICT**  
**BUILDING D LIGHTING**  
**DEMOLITION PLAN**  
**BUILDING D LIGHTING**  
**PLAN**

Job No. **8894200**  
Date **1-14-2009**  
**E-6.1**