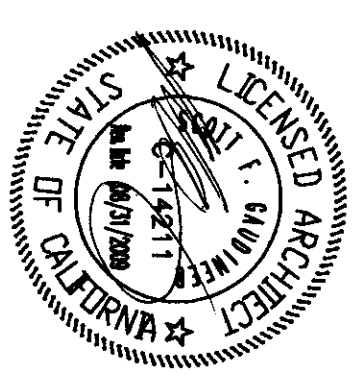


FLEWELING & MODDY
architects education

HEADQUARTERS OFFICE:
1455 W. CENTRAL AVENUE
SUITE 100
MILWAUKEE, WISCONSIN 53233
TEL: 414.353.4447
FAX: 414.353.4477
EMAIL: info@flemingmoddy.com

ANTILPOLE VALLEY OFFICE:
1055 WEST LAKESIDE AVENUE
SUITE 100
ANTILPOLE, CALIFORNIA 95006
TEL: 925.437.7400
FAX: 925.437.7400
EMAIL: antilpole@flemingmoddy.com

An Employee Owned Corporation



ARCHITECT

CONSULTANT

IDENTIFICATION STAMP
DIV. OF THE STATE ARCHITECT
APPROX. 11 2 11 7
AG/ML F55208
DATE 11/28/2010

AGENCY
MODERNIZATION PROJECT AT
EVERGREEN ELEMENTARY SCHOOL
2600 ROSE WARE DRIVE
Bakersfield, CA 93304

BAKERSFIELD CITY SCHOOL DISTRICT

Drawn by: AC
Checked by: FH

No. _____
Date _____
Description _____

**BUILDING C LIGHTING
DEMOLITION PLAN
BUILDING C LIGHTING
PLAN**

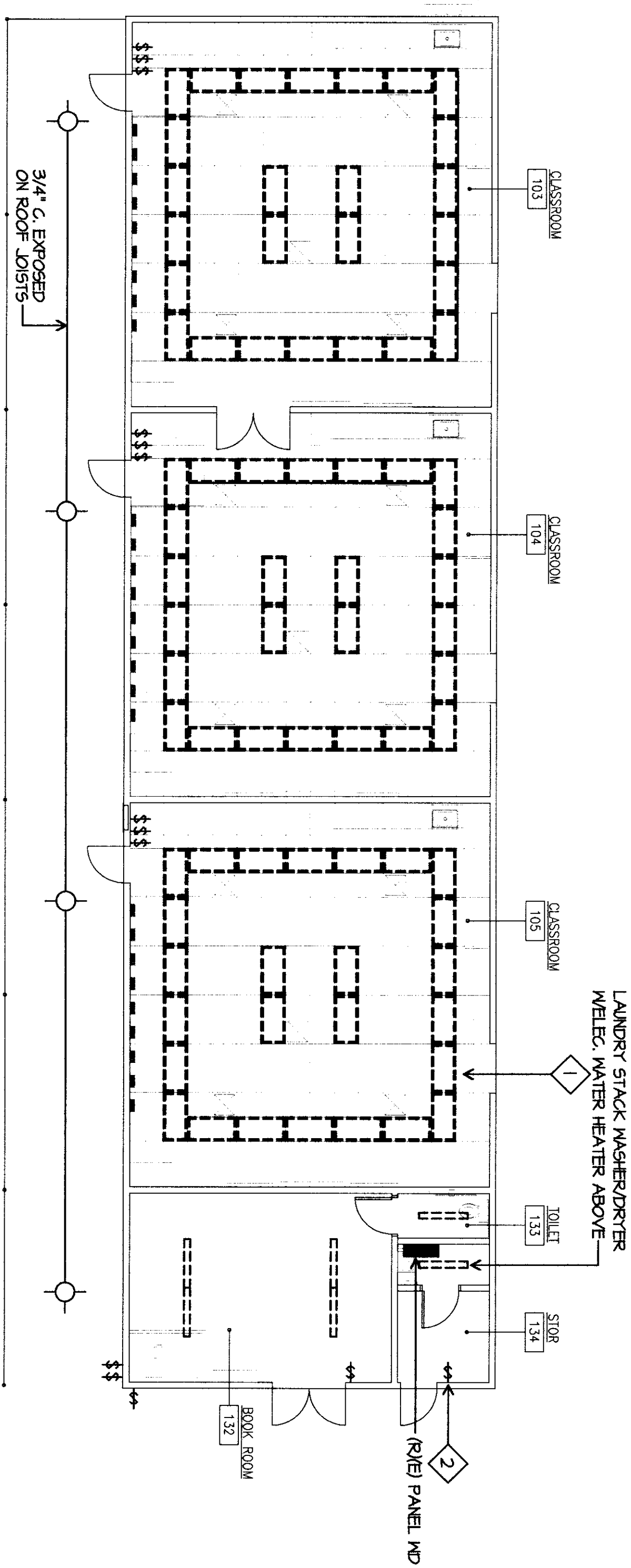
JOB No. 884300

Date 1-14-2009

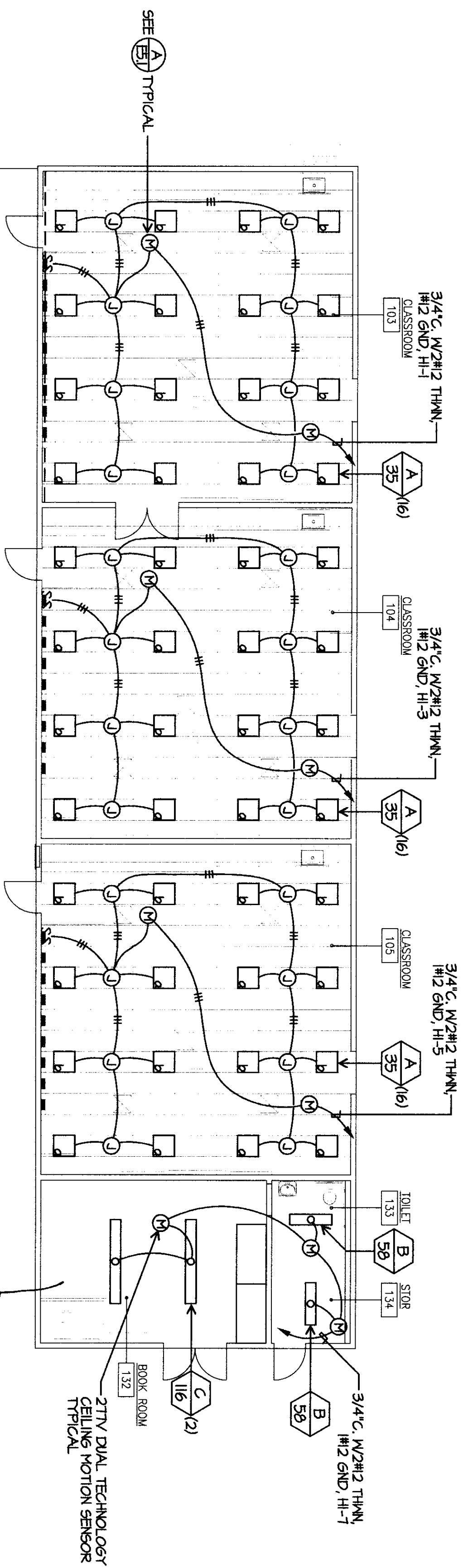
E-6:1

LIGHTING DEMOLITION PLAN NOTES

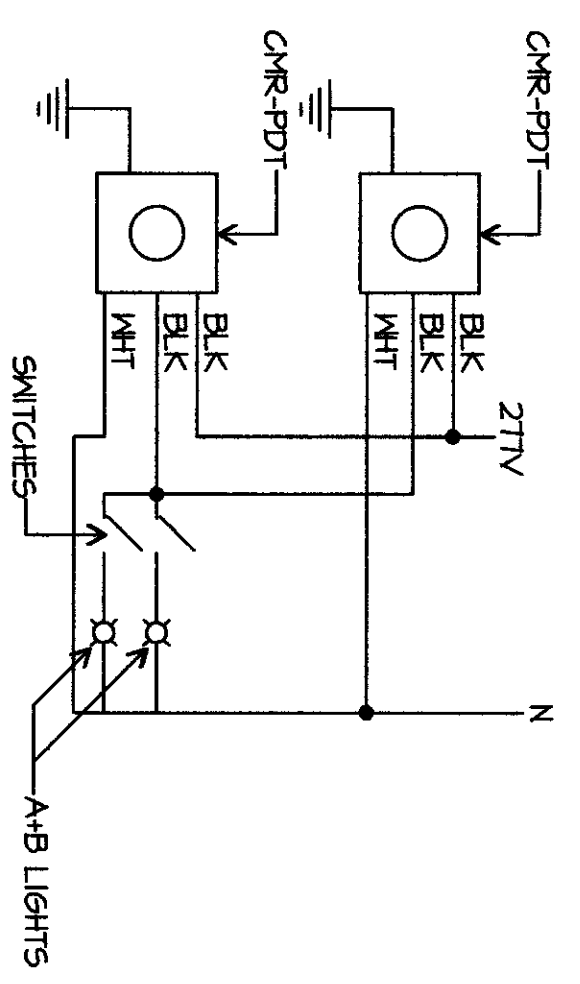
- 1 REMOVE AND DISPOSE OF EXISTING LIGHT FIXTURES COMPLETE. DEMOLISH EXISTING CONDUIT BACK TO SERVING PANEL.
- 2 REMOVE AND DISPOSE OF ALL SWITCHES IN BUILDING.



BUILDING C LIGHTING DEMOLITION PLAN



BUILDING C LIGHTING PLAN



CLASSROOM MOTION SENSOR WIRING DIAGRAM