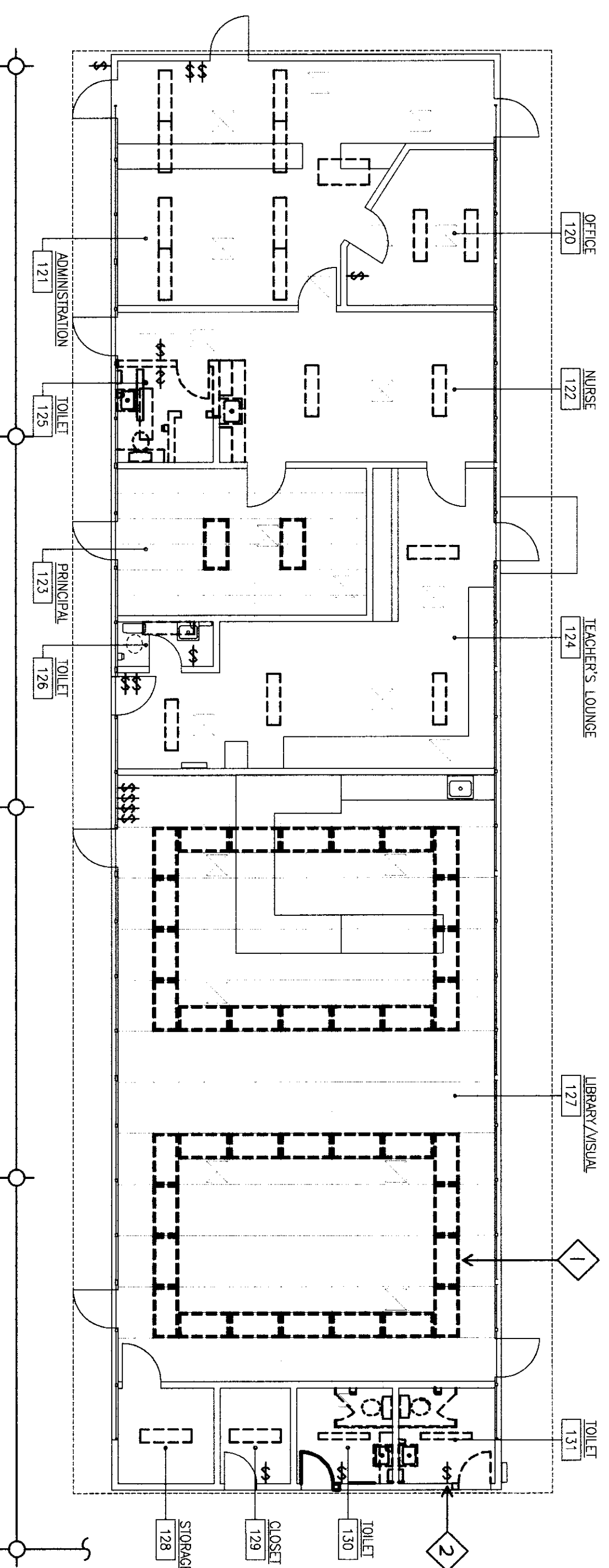


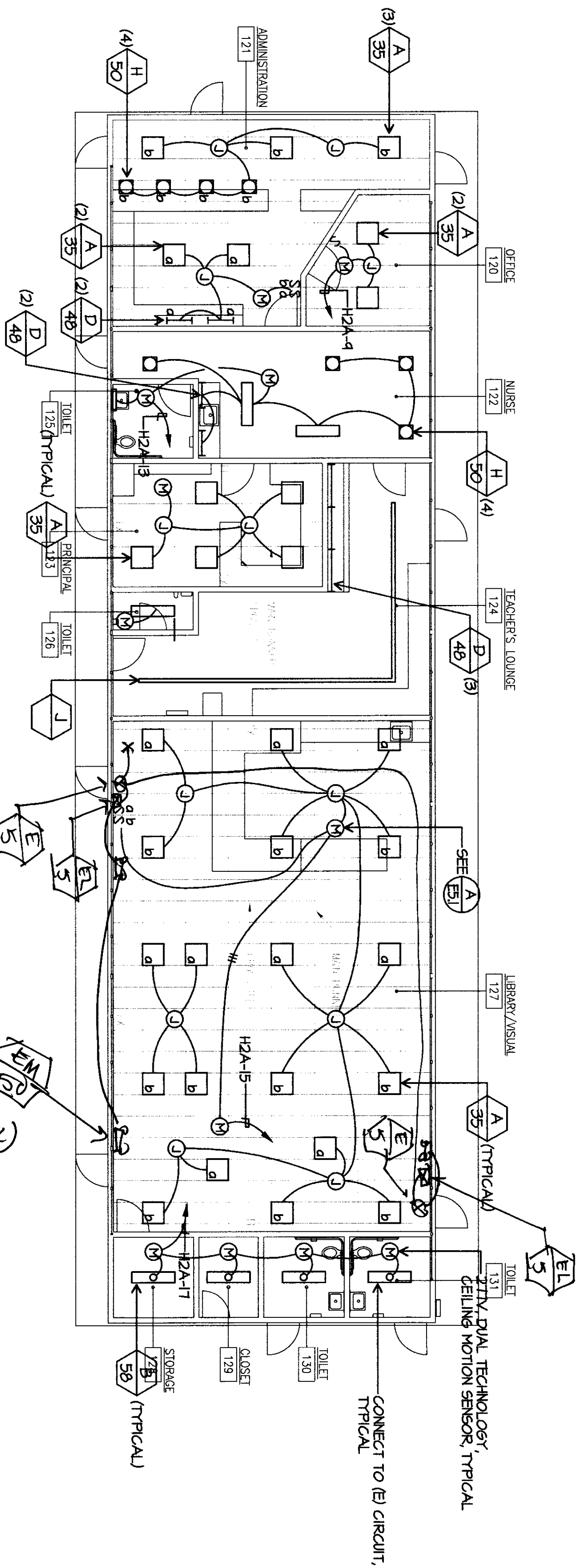
FLEWELLING & MOODY
architects + education

- LIGHTING DEMOLITION PLAN NOTES**
- 1 REMOVE AND DISPOSE OF EXISTING LIGHT FIXTURES COMPLETE. DEMOLISH EXISTING CONDUIT BACK TO SERVING PANEL.
 - 2 REMOVE AND DISPOSE OF ALL SWITCHES IN BUILDING.



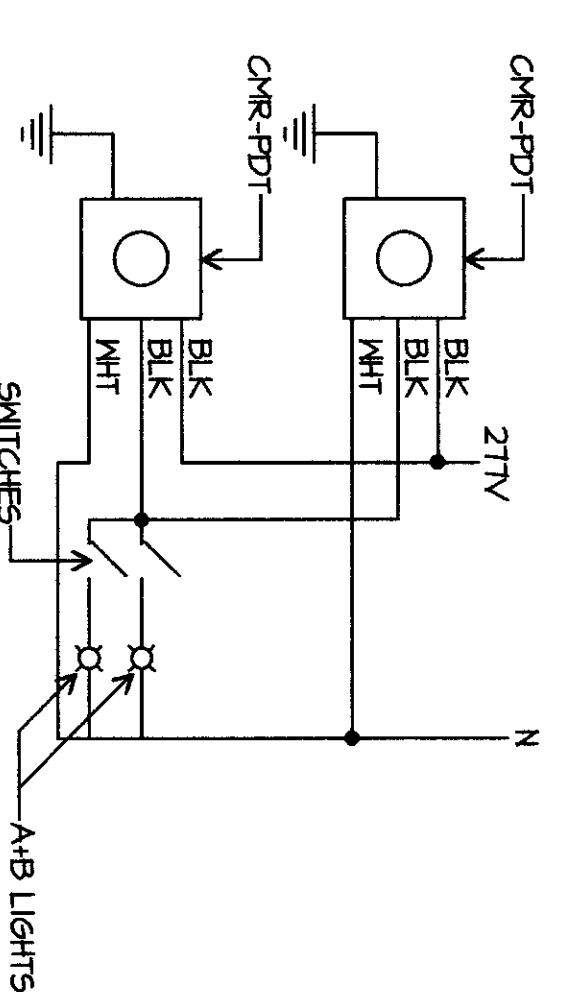
BUILDING B LIGHTING DEMOLITION PLAN

SCALE: 1/8"=1'-0"



BUILDING B LIGHTING PLAN

SCALE: 1/8"=1'-0"



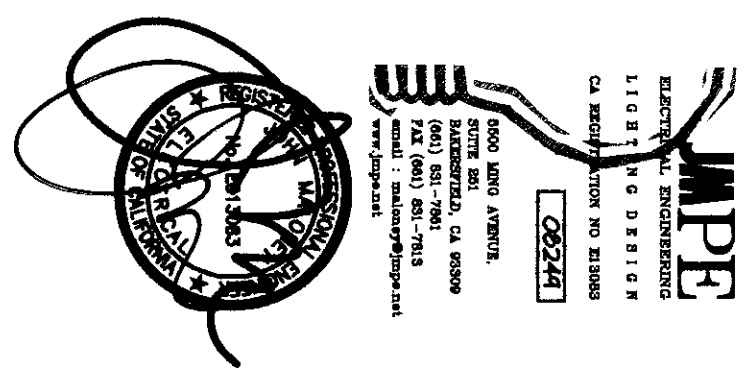
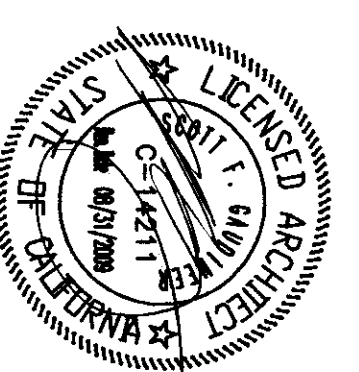
CLASSROOM MOTION SENSOR WIRING DIAGRAM

(A)

HEADQUARTERS OFFICE:
141 South Lake Avenue, Suite 100
Brea, CA 92615
Tel: 949.444.8377 Fax: 949.444.8477
Email: flewellin@flewellin.com

ANIMOLE VALLEY OFFICE:
1025 West Orange Avenue
Orange, CA 92668
Tel: 949.846.8777 Fax: 949.846.2440
Email: flewellin@flewellin.com

An Employee Owned Corporation



IDENTIFICATION STAMP
DIV OF THE STATE ARCHITECT
APPROX 112817
AC 01/18/2010
DATE 11/8/2010

No.	Date	Description

**MODERNIZATION PROJECT AT
EVERGREEN ELEMENTARY SCHOOL**
2600 ROSE LAURE DRIVE
BAKERSFIELD, CA 93304

BAKERSFIELD CITY SCHOOL DISTRICT
**BUILDING B LIGHTING
DEMOLITION PLAN**
**BUILDING B LIGHTING
PLAN**

Job No. **1894300**
Date **1-14-2009**
E-4.1