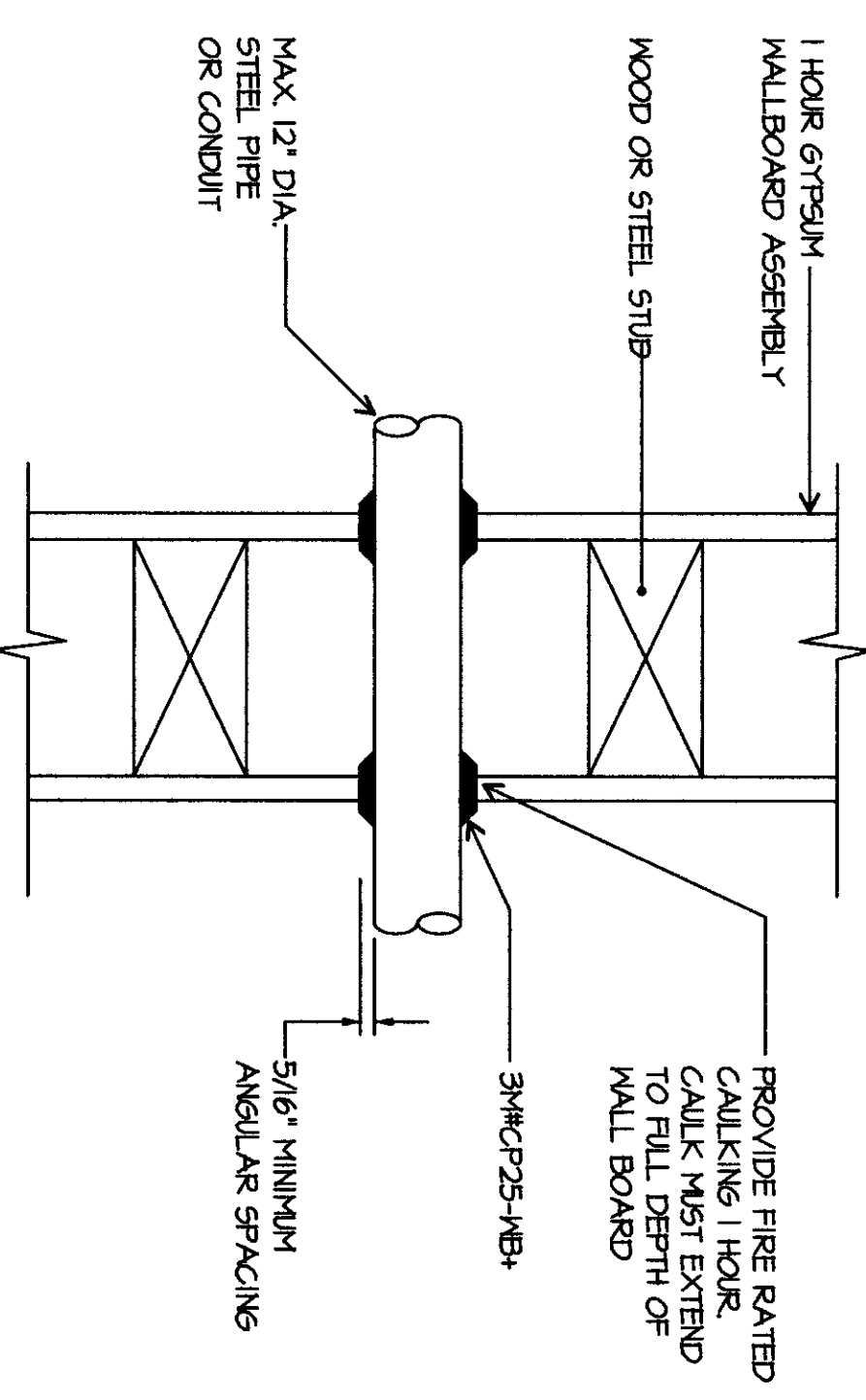
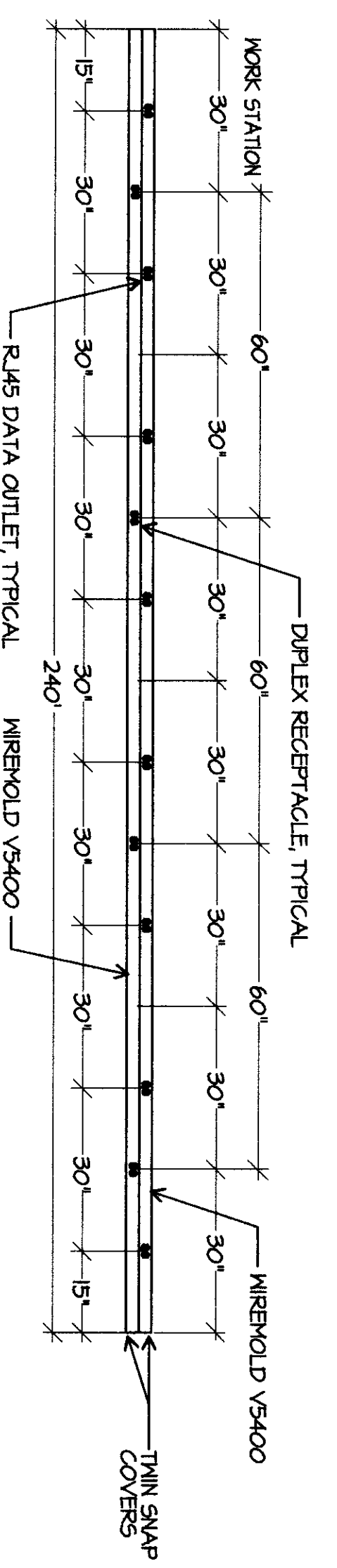


TYPICAL CLASSROOM ELEVATION DETAIL  
SCALE: 1/4"=1'-0"

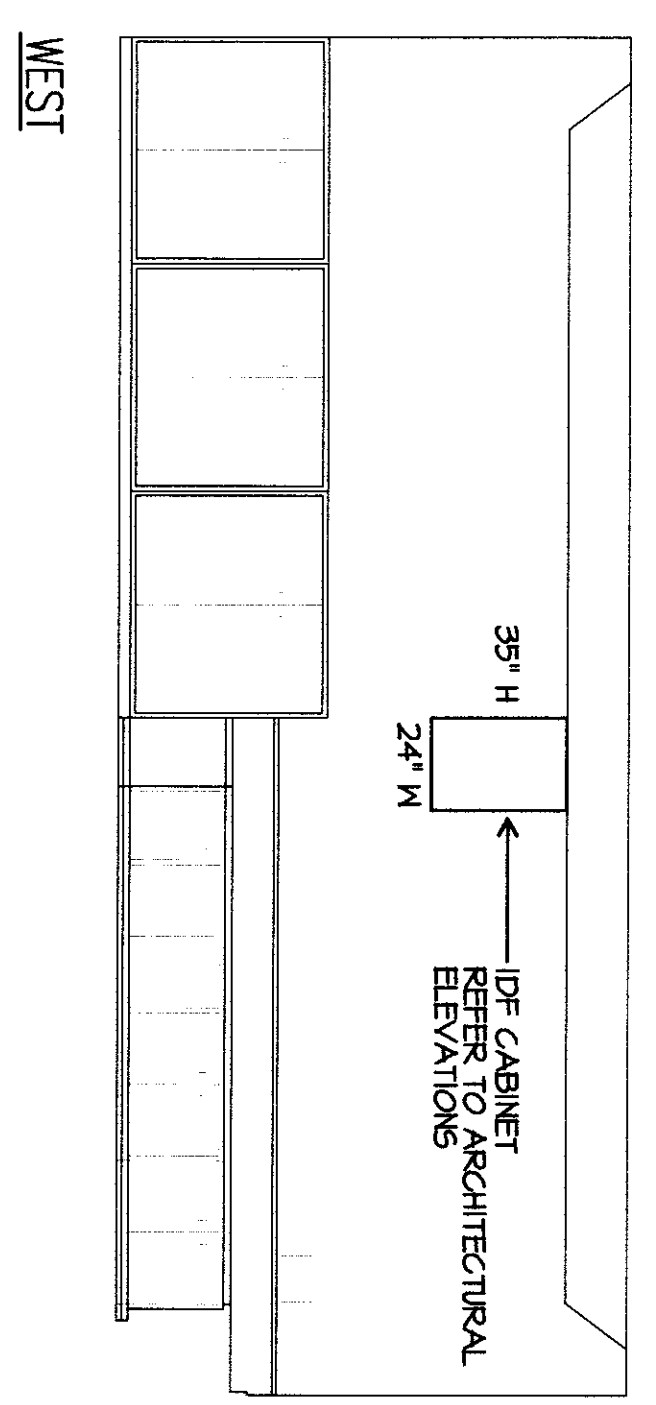


FIRE STOP PENETRATION STUD WALL  
SCALE: NONE (UL SYSTEM NUMBER MH-100)

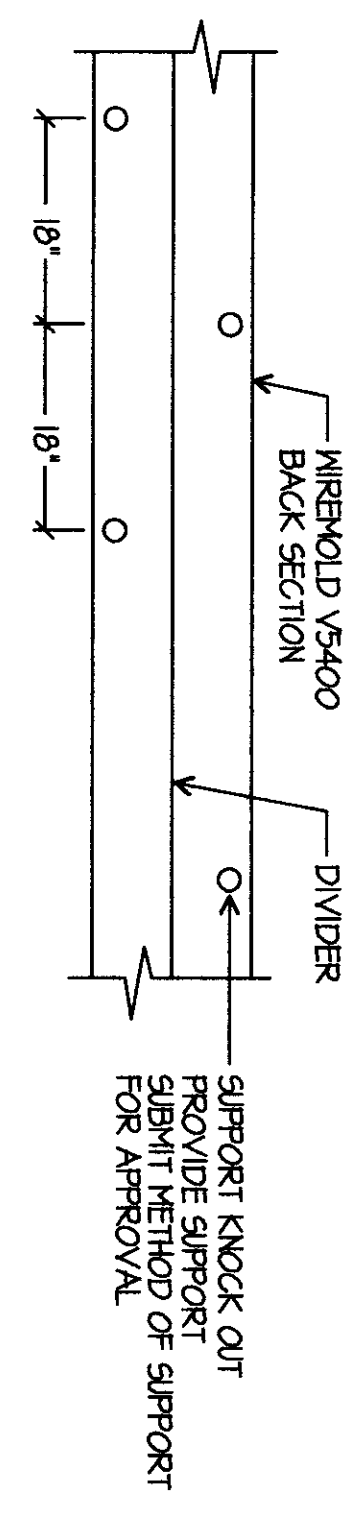
APPROXIMATE WEIGHT: 1990 LBS



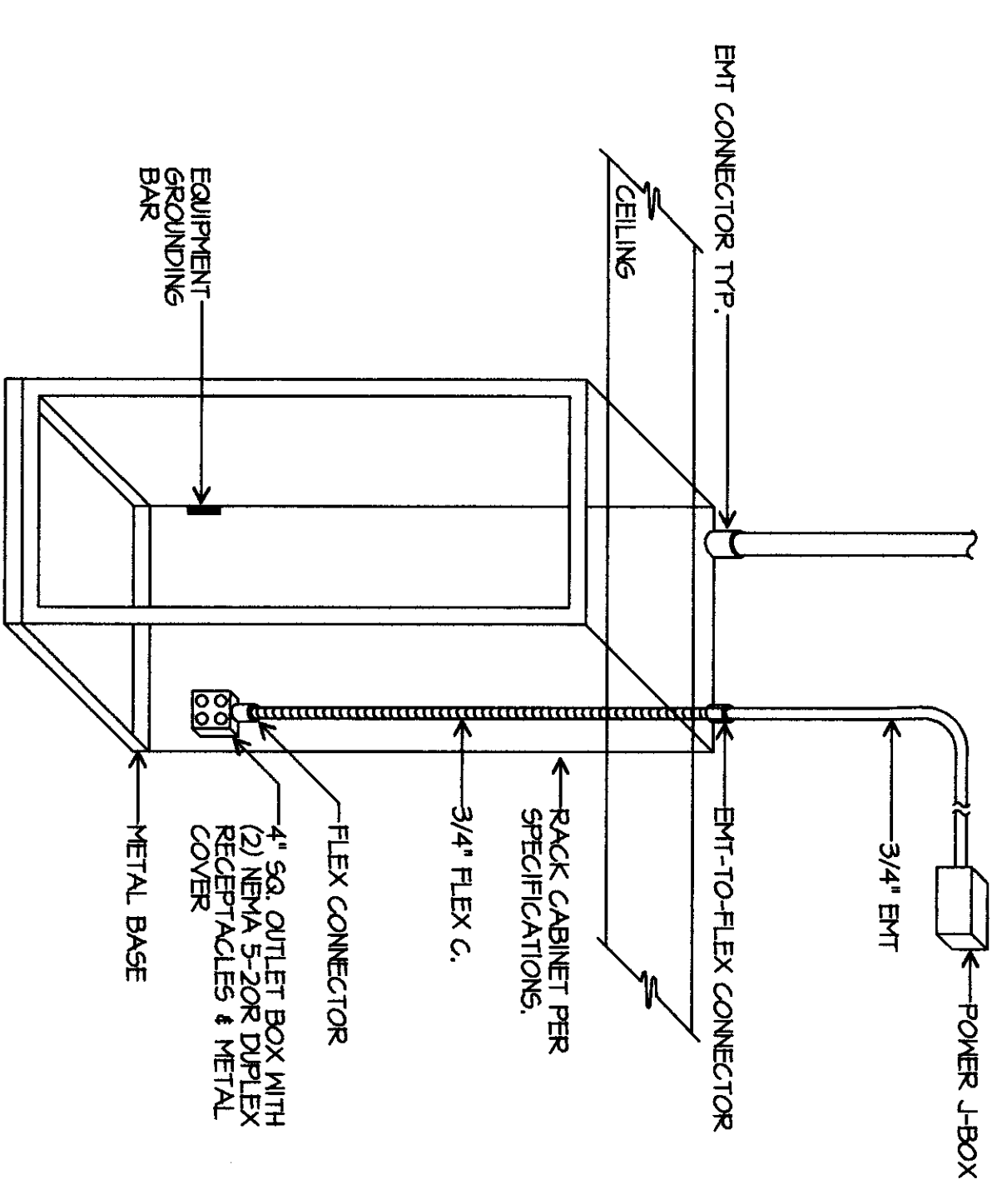
WIRE MOLD DETAIL  
SCALE: 1/2"=1'-0"



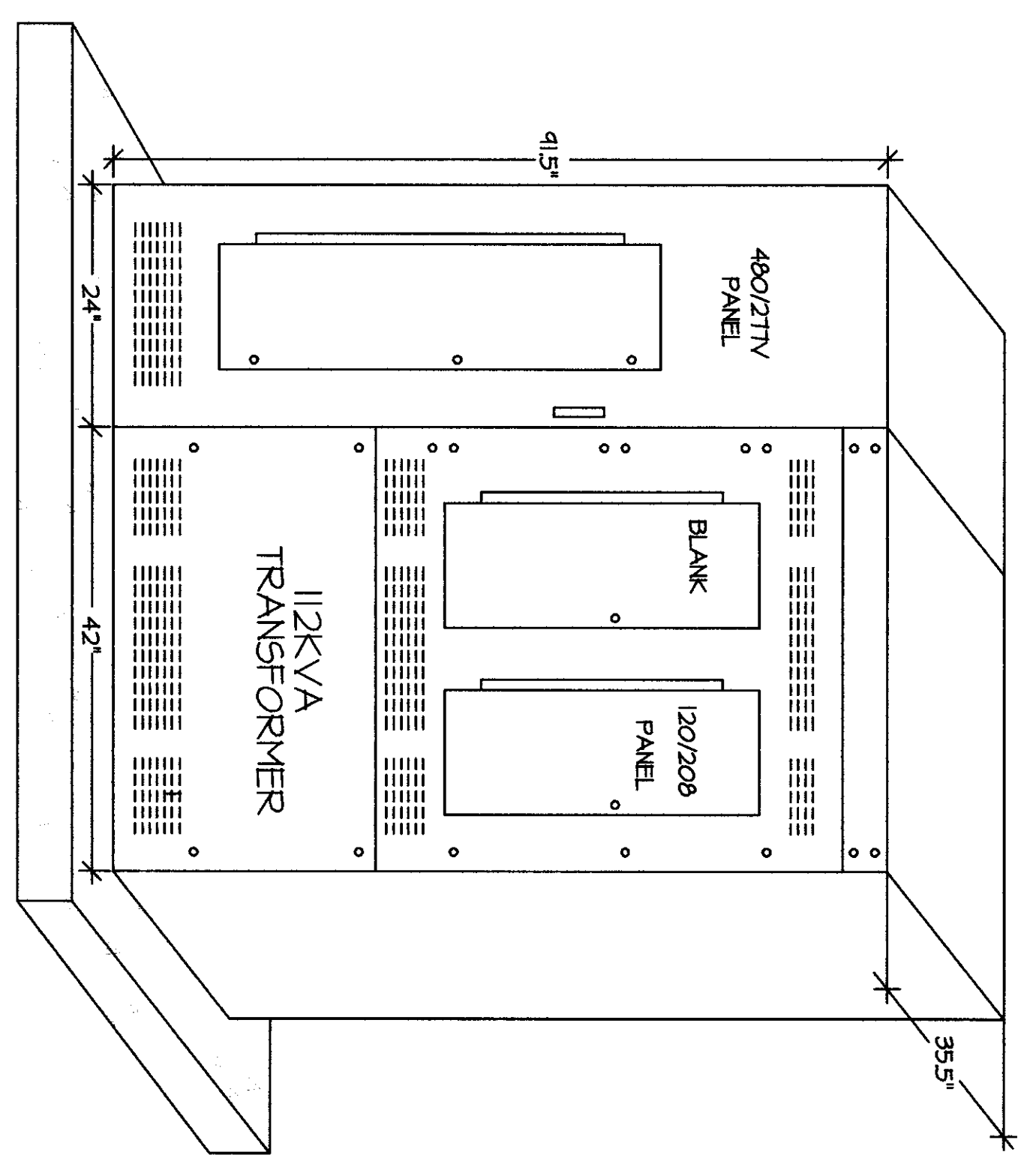
CLASSROOMS 106/112/13  
SCALE: 1/4"=1'-0"



WIRE MOLD SUPPORT DETAIL  
SCALE: NONE



TYPICAL RACK CABINET INSTALLATION DETAIL  
SCALE: NONE



IPAC MOUNTING DETAIL  
SCALE: NONE

**SCHOOL EQUIPMENT ANCHORAGE**

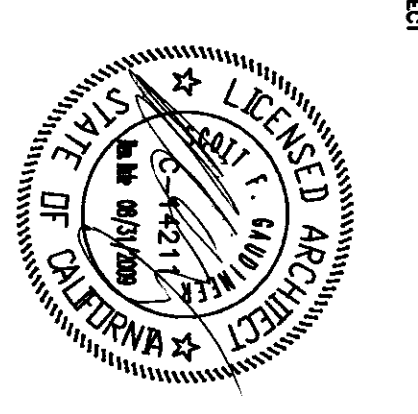
WHERE ANCHORAGE DETAILS ARE NOT SHOWN ON THE DRAWINGS THE FIELD INSTALLATION SHALL BE SUBJECT TO THE APPROVAL OF THE STRUCTURAL ENGINEER, ARCHITECT AND THE FIELD ENGINEER OF THE DIVISION OF THE STATE ARCHITECT.

**FLEWELLING & MODOY**  
architects education

HEADQUARTERS OFFICE:  
141 South Lake Avenue, 2nd Floor  
Evanston, IL 60201-4417  
E-MAIL: flewellin@flewelling-moday.com

ANTELOPE VALLEY OFFICE:  
1533 15th Avenue Southeast  
Evanston, IL 60201-4417  
E-MAIL: flewellin@flewelling-moday.com

An Employee-Owned Corporation



**MPPE**  
MECHANICAL PIPING PROFESSIONAL ENGINEERS  
1533 15th Avenue Southeast  
Evanston, IL 60201-4417  
E-MAIL: flewellin@flewelling-moday.com

ARCHITECT  
JAMES M. PFEIFFER  
DIVISION OF THE STATE ARCHITECT  
APPROVED 1/28/17  
AC: JAMES M. PFEIFFER SS: R2  
DATE: JAN 15 2010

NO.	DATE	DESCRIPTION

Drawn by: AC  
Checked by: FH

REVISIONS

NO. DATE DESCRIPTION

1-14-2009

MODERNIZATION PROJECT AT  
EVERGREEN ELEMENTARY SCHOOL  
2650 ROSE HARB DRIVE  
BAKERSFIELD, CA 93304

BAKERSFIELD CITY SCHOOL DISTRICT

Job No. 1894200  
Date: 1-14-2009  
E-02