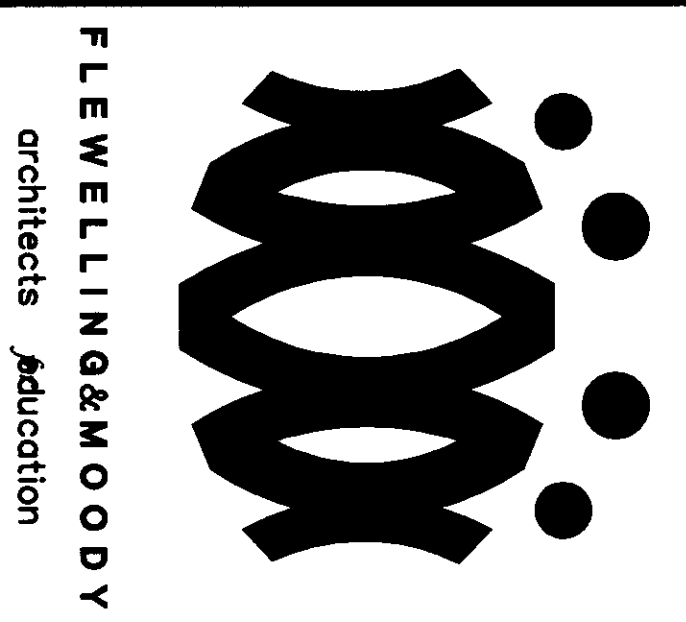
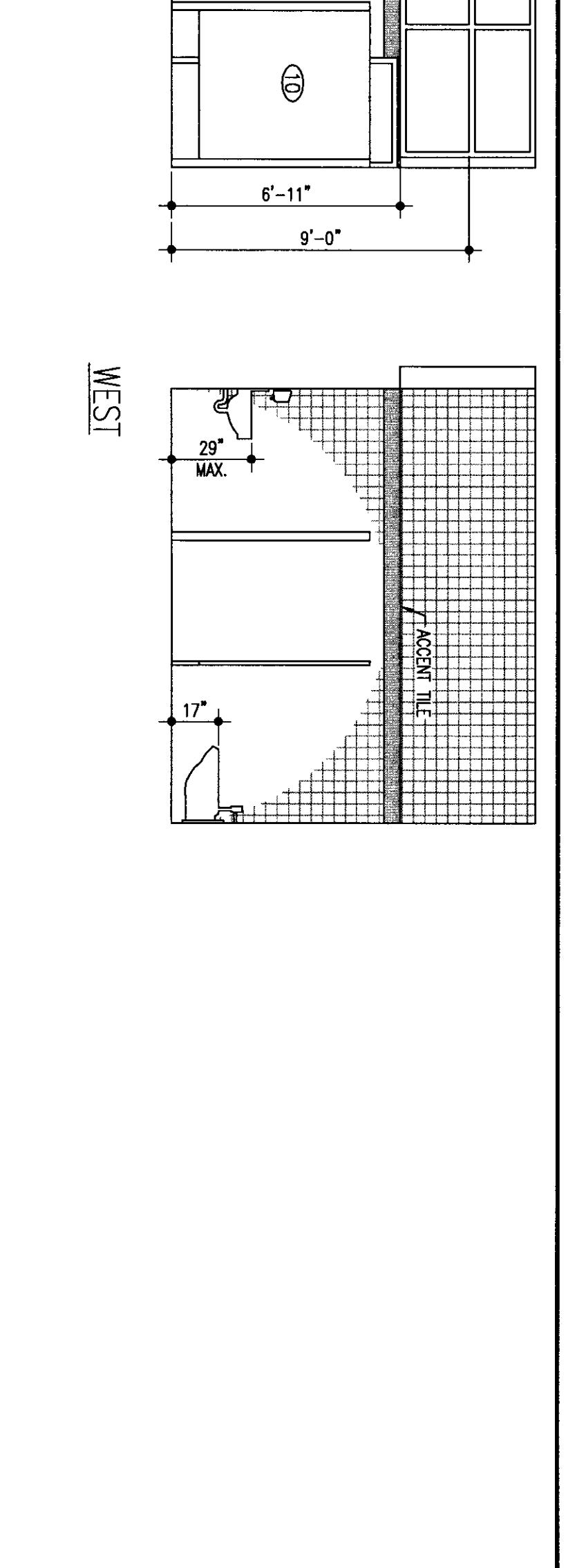
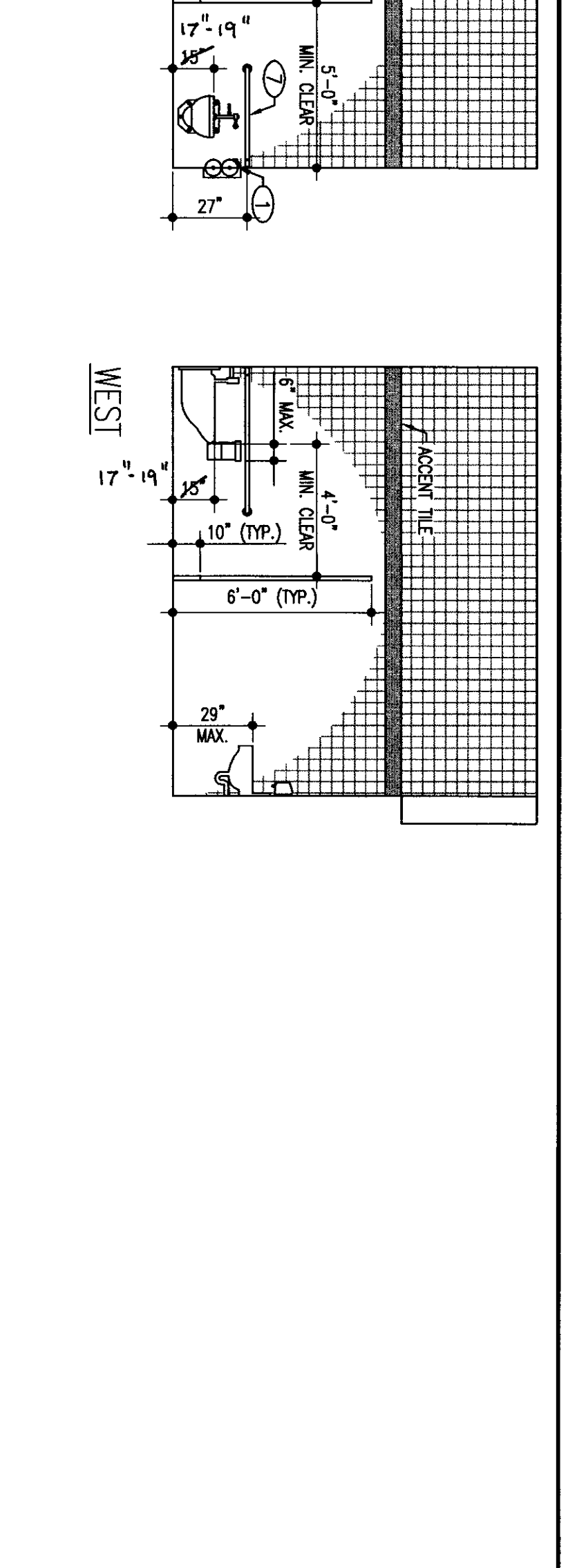
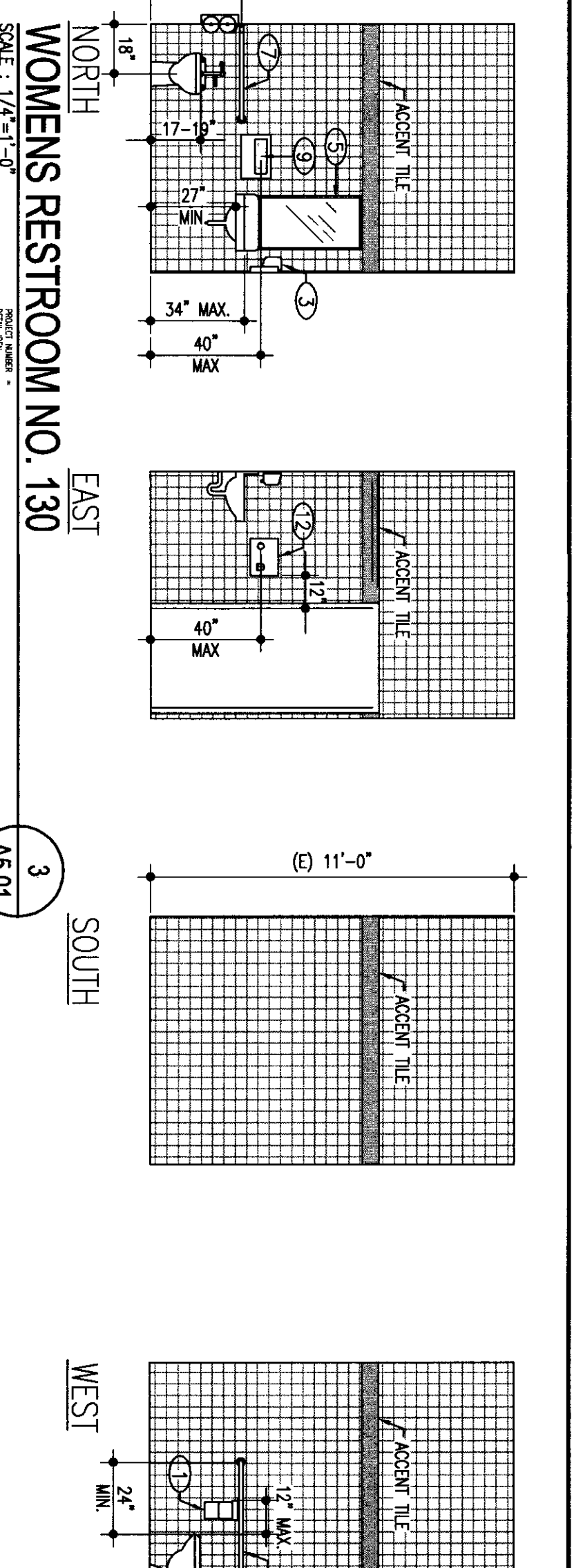
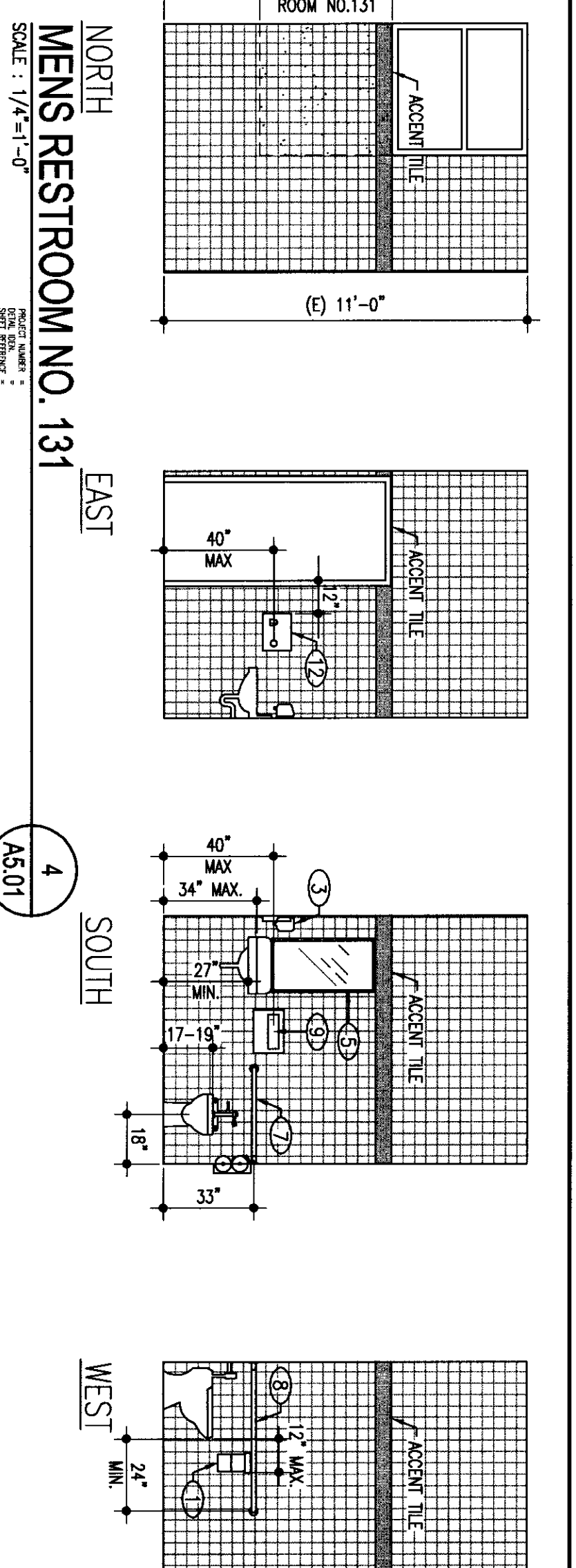
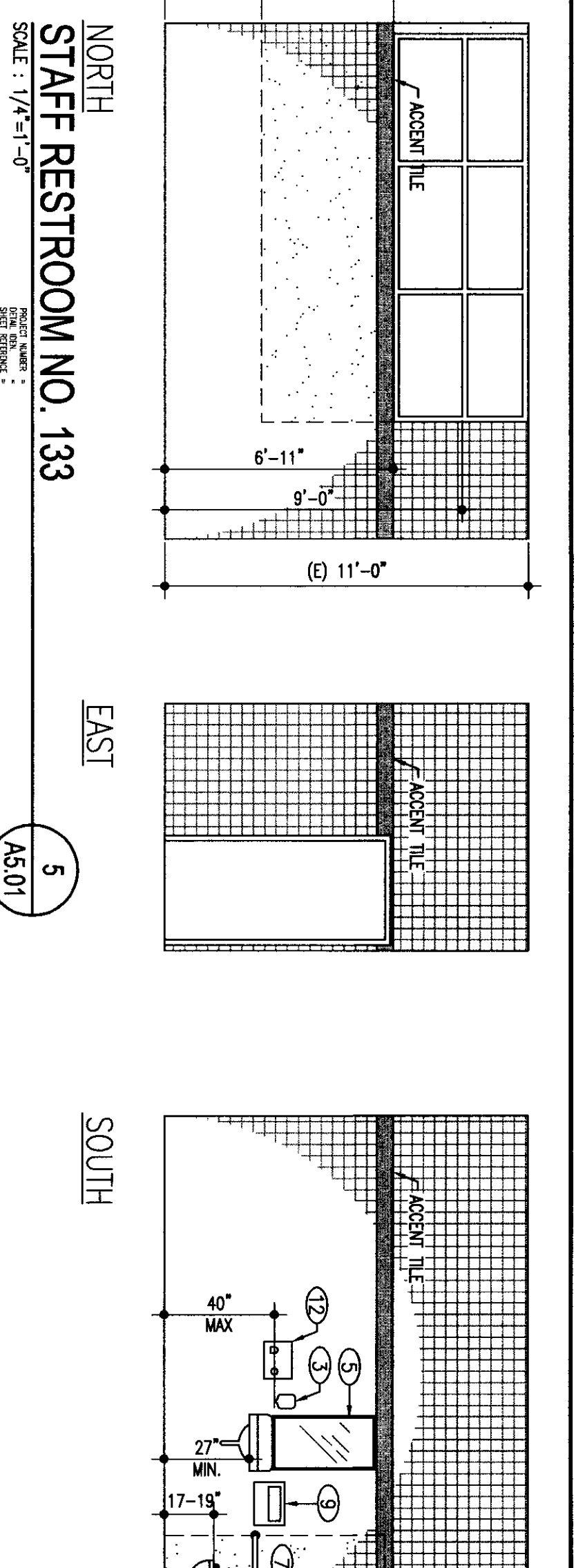
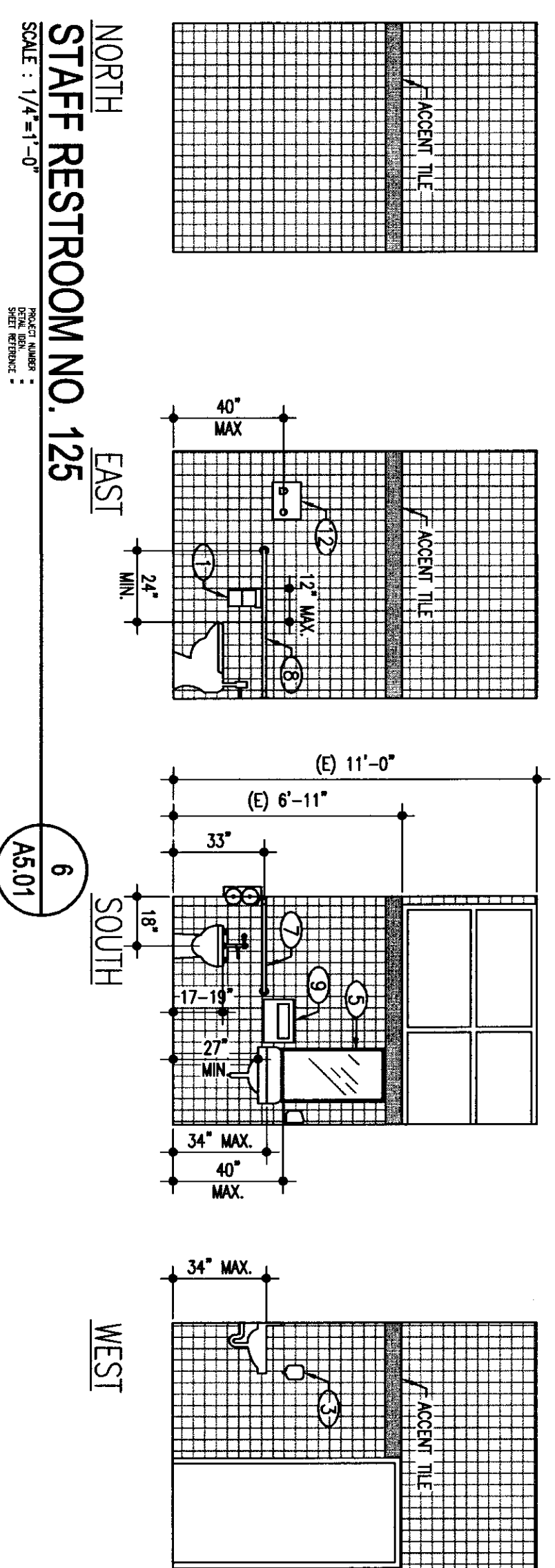
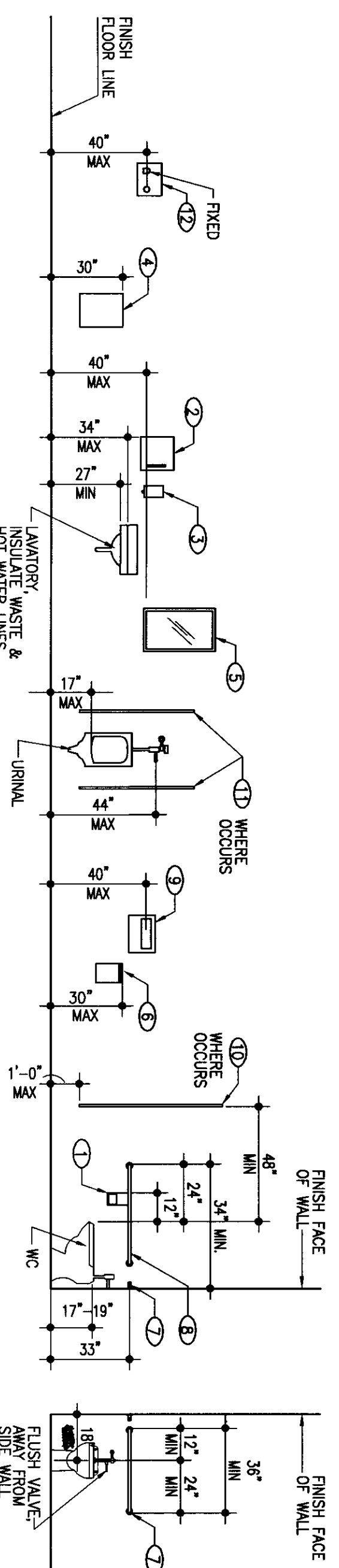


SYM	DESCRIPTION	REMARK
1	TOILET DISPENSER	UNFINISHED
2	TOILET TOWER DISPENSER	SURFACE MOUNTED
3	SOAP DISPENSER	SURFACE MOUNTED
4	TOILET PAPER DISPENSER	SURFACE MOUNTED
5	WIPERS (18 X 8)	SURFACE MOUNTED
6	WIPERS (18 X 8)	SURFACE MOUNTED
7	GRAB BAR 3'-0" LONG	SURFACE MOUNTED (SEE 6/8/03 FOR ANCHORAGE)
8	GRAB BAR 3'-0" LONG	SURFACE MOUNTED (SEE 6/8/03 FOR ANCHORAGE)
9	TOILET SEAT COVER DISPENSER	SURFACE MOUNTED (SEE 6/8/03 FOR ANCHORAGE)
10	URINAL SCREEN	(SEE 6/8/03 FOR ANCHORAGE)
11	HAND DRYER	SURFACE MOUNTED

TOILET CENTER LINE FROM WALL	ADULT * ELEMENTARY	KINDERGARTEN
TOILET SEAT HEIGHT	18" - 19"	12"
GRAB BAR HEIGHT	33"	20"
TOILET PAPER IN FRONT OF TOILET	12" MAX	6" MAX
WIPERS OR WIPER DISPENSER IN FRONT OF TOILET	12" MAX	6" MAX
TOILET SEAT COVER HEIGHT	40" MAX	32" MAX
TOILET SEAT COVER CLEARANCE	27" MIN.	19" MIN.
URINAL TIP HEIGHT	27" MAX.	19" MAX.
URINAL TIP CLEARANCE	17" MIN.	13" MIN.
URINAL FLUSH HANDLE HEIGHT	44" MAX	32" MAX
DRINKING FOUNTAIN BUBBLER HEIGHT	38" MAX	30" MAX
DRINKING FOUNTAIN KNEE CLEARANCE	27" MIN.	24" MIN.

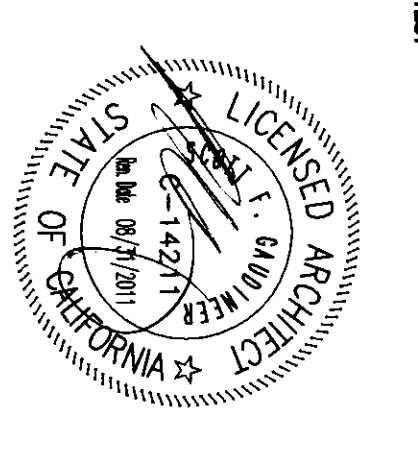
(ADULT * AGE 12 & OVER)



HEADQUARTERS OFFICE:
 41 South Main Street
 Pasadena, California 91101
 Telephone: 626.799.8100
 Fax: 626.799.8101
 Email: info@flewellingooddy.com

AMBLER WALLEY OFFICE:
 10000 Wilshire Blvd., Suite 1000
 Los Angeles, California 90024
 Telephone: 310.206.1828
 Fax: 310.206.1829
 Email: info@flewellingooddy.com

An Engineering-Related Corporation



ARCHITECT

IDENTIFICATION STAMP
 DIV. OF THE STATE ARCHITECT
 APPROX. 11.2.8.1.7
 44115 S. WILSHIRE BLVD. SUITE 1000
 LOS ANGELES, CA 90024

Drawn by: SI
 Checked by: DL/CB
 Project: Restrooms

**MODERNIZATION PROJECT AT
 EVERGREEN ELEMENTARY SCHOOL,
 BAKERSFIELD, CA 93304**

BAKERSFIELD CITY SCHOOL DISTRICT

**RESTROOMS :
 INTERIOR ELEVATIONS**

1894
 A5.01
 1-26-2010