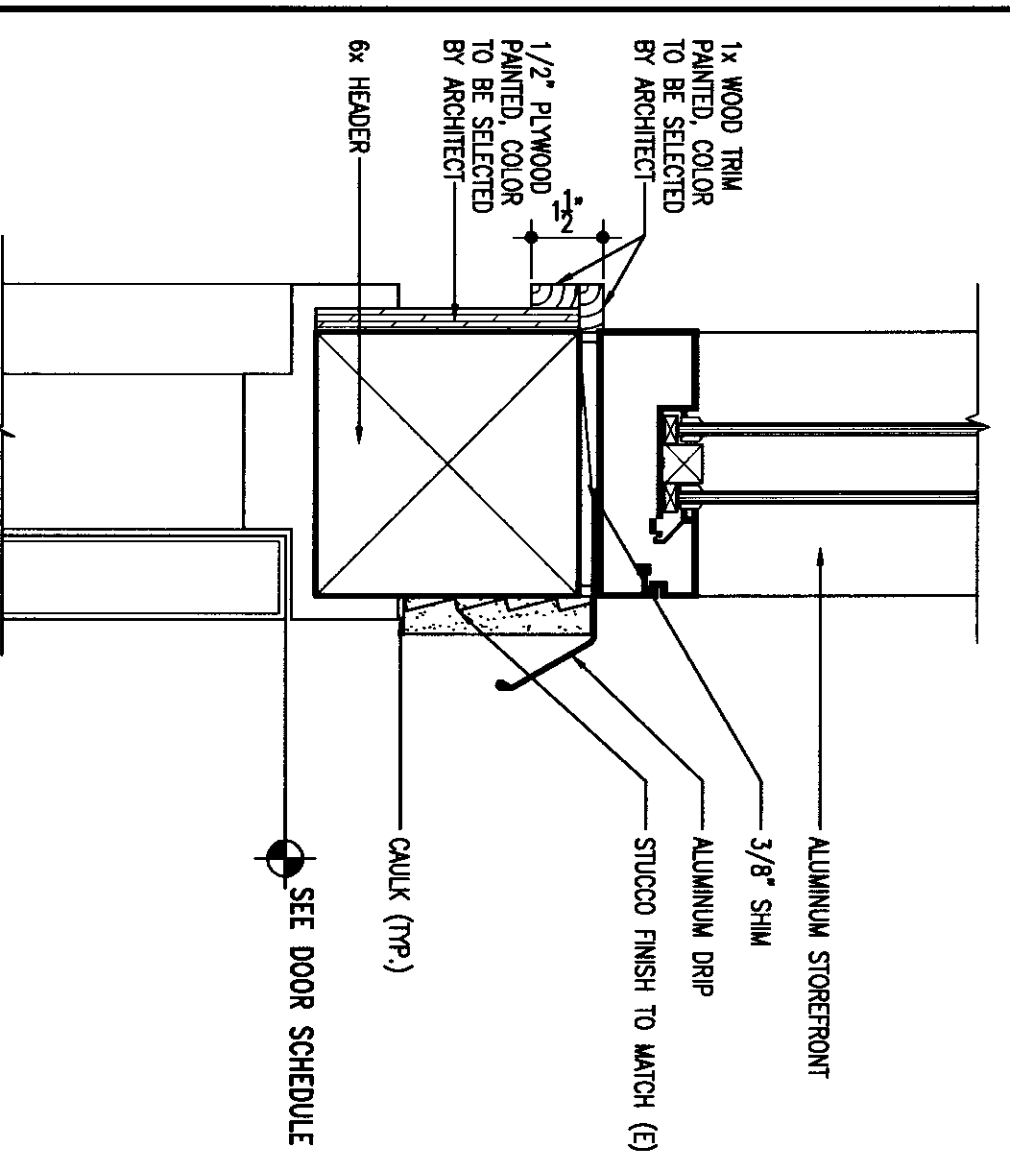


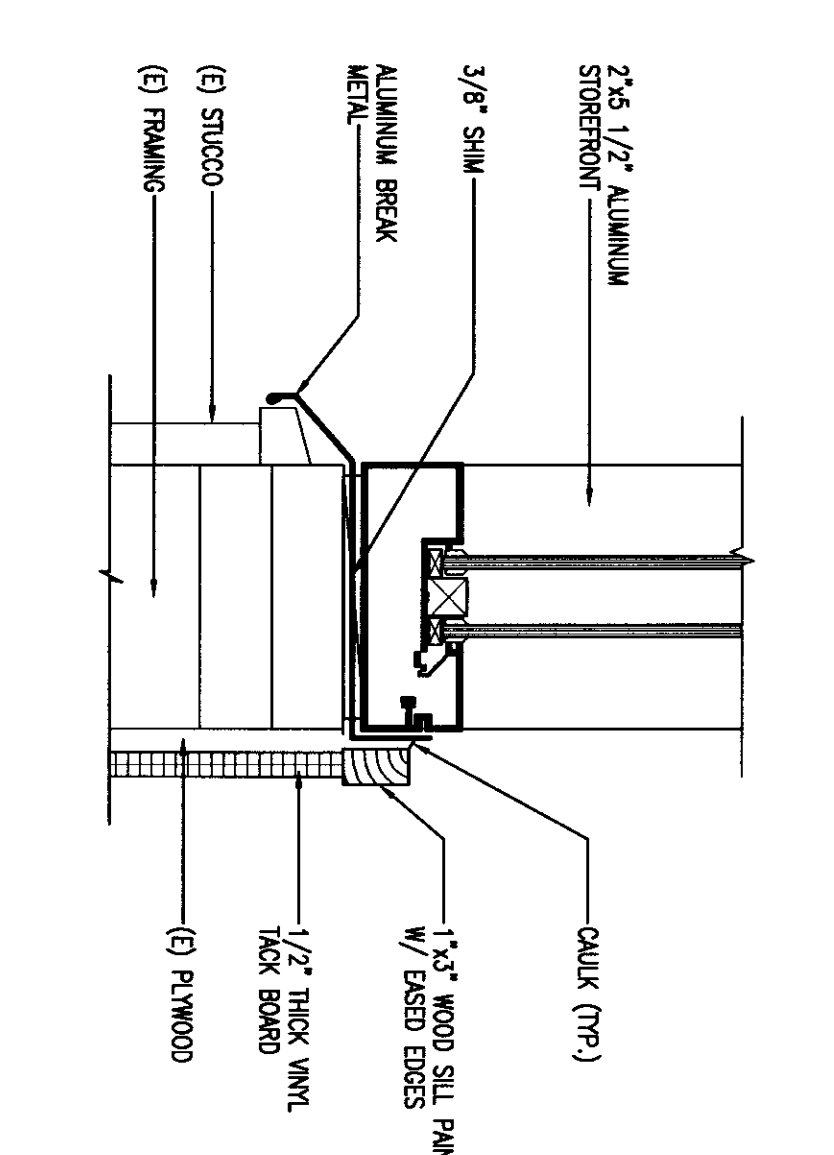
**HOLLOW METAL WINDOW SILL (HEAD AND JAMB SIMILAR) (TYP.)**  
SCALE: 3/4"=1'-0"

18  
A2.02



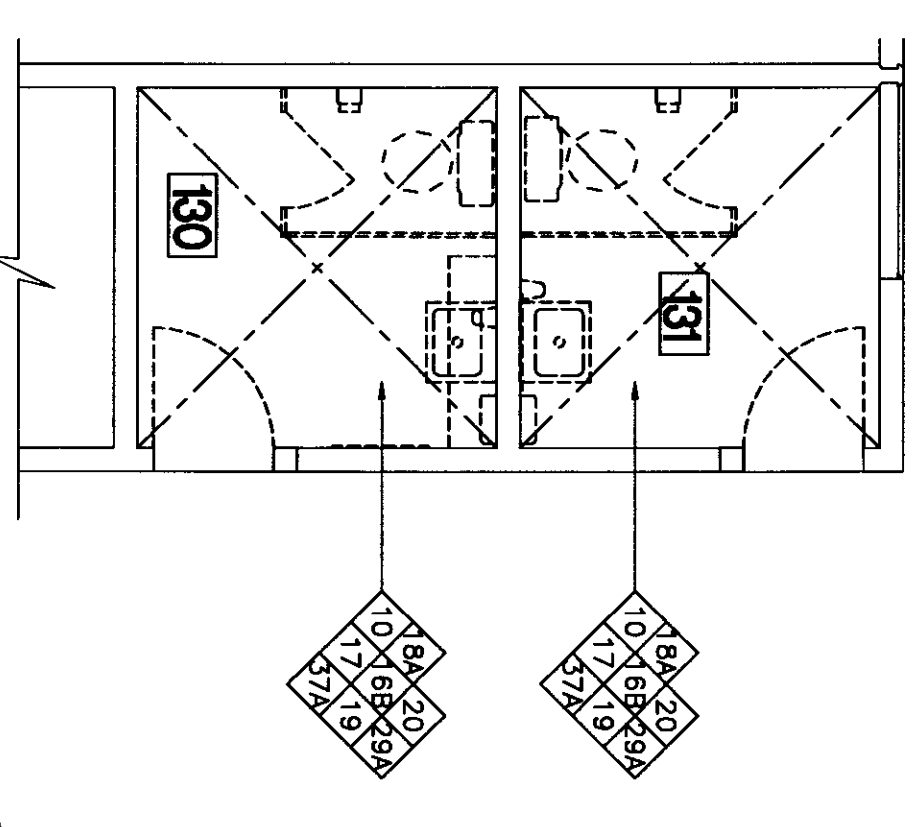
**HEAD (TYP.)**  
SCALE: 3/4"=1'-0"

11  
A2.02



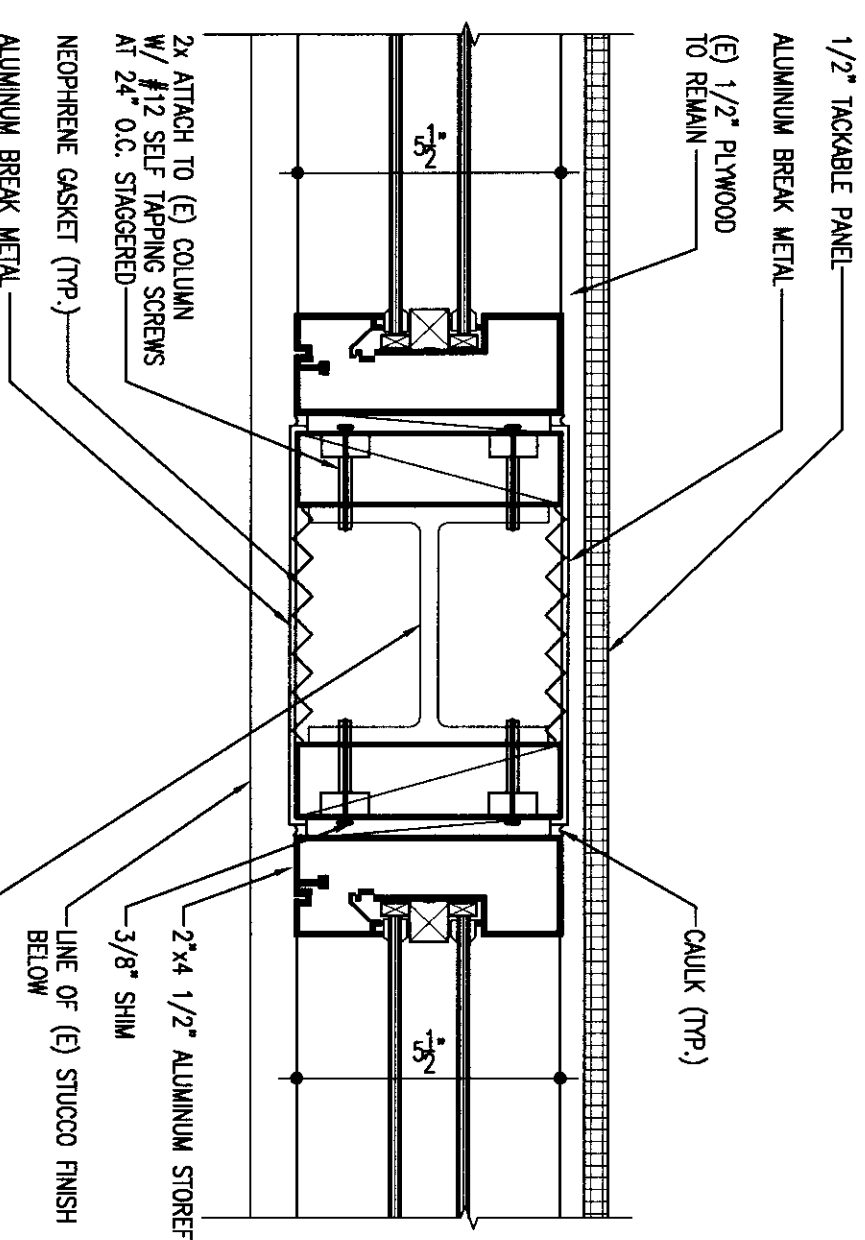
**SILL (TYP.)**  
SCALE: 3/4"=1'-0"

10  
A2.02



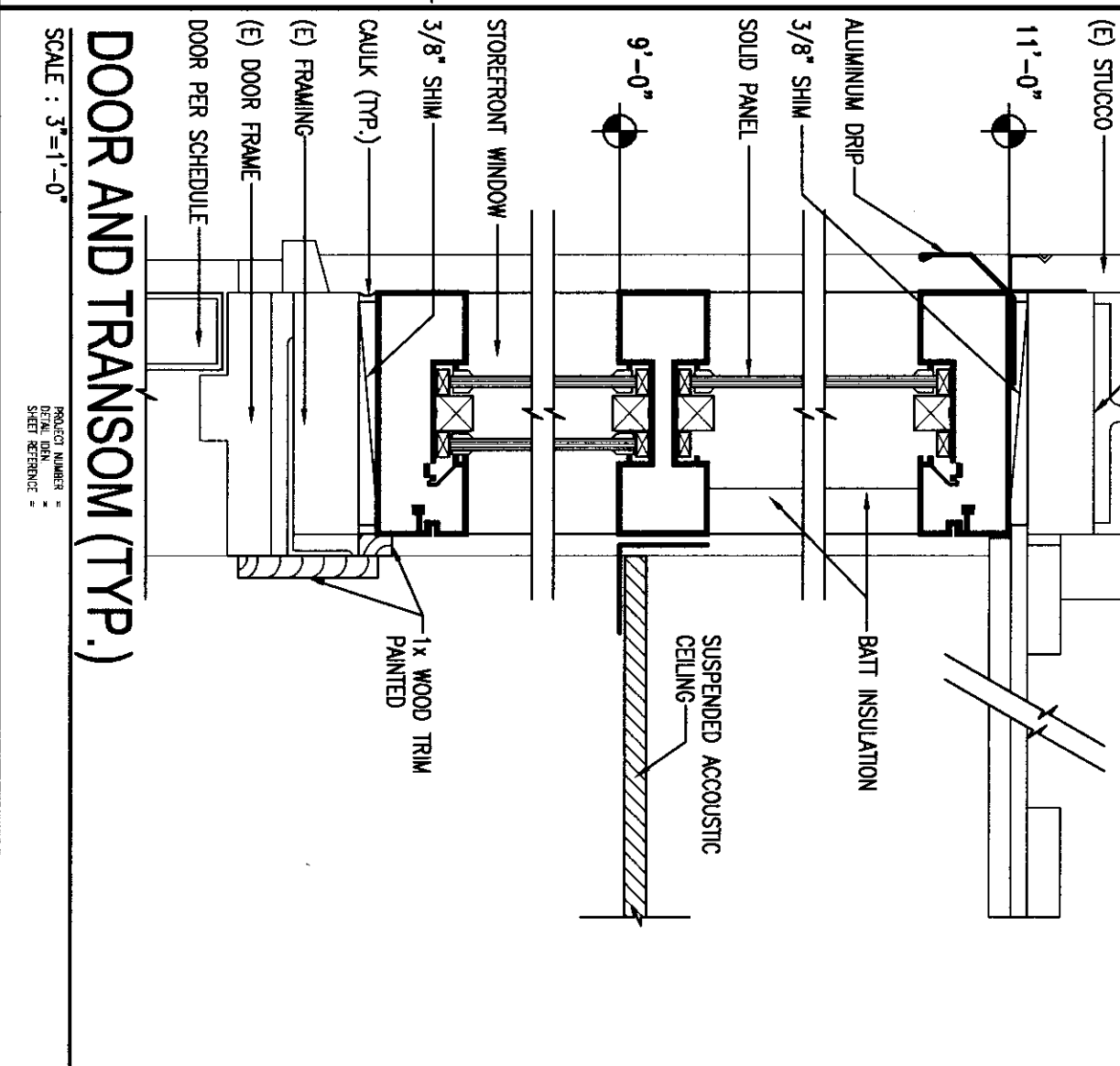
**DEMOLITION PLAN - STAFF RESTROOM BUILDING 'B' - ROOM NO. 130 AND 131**  
SCALE: 1/4"=1'-0"

3  
A2.02



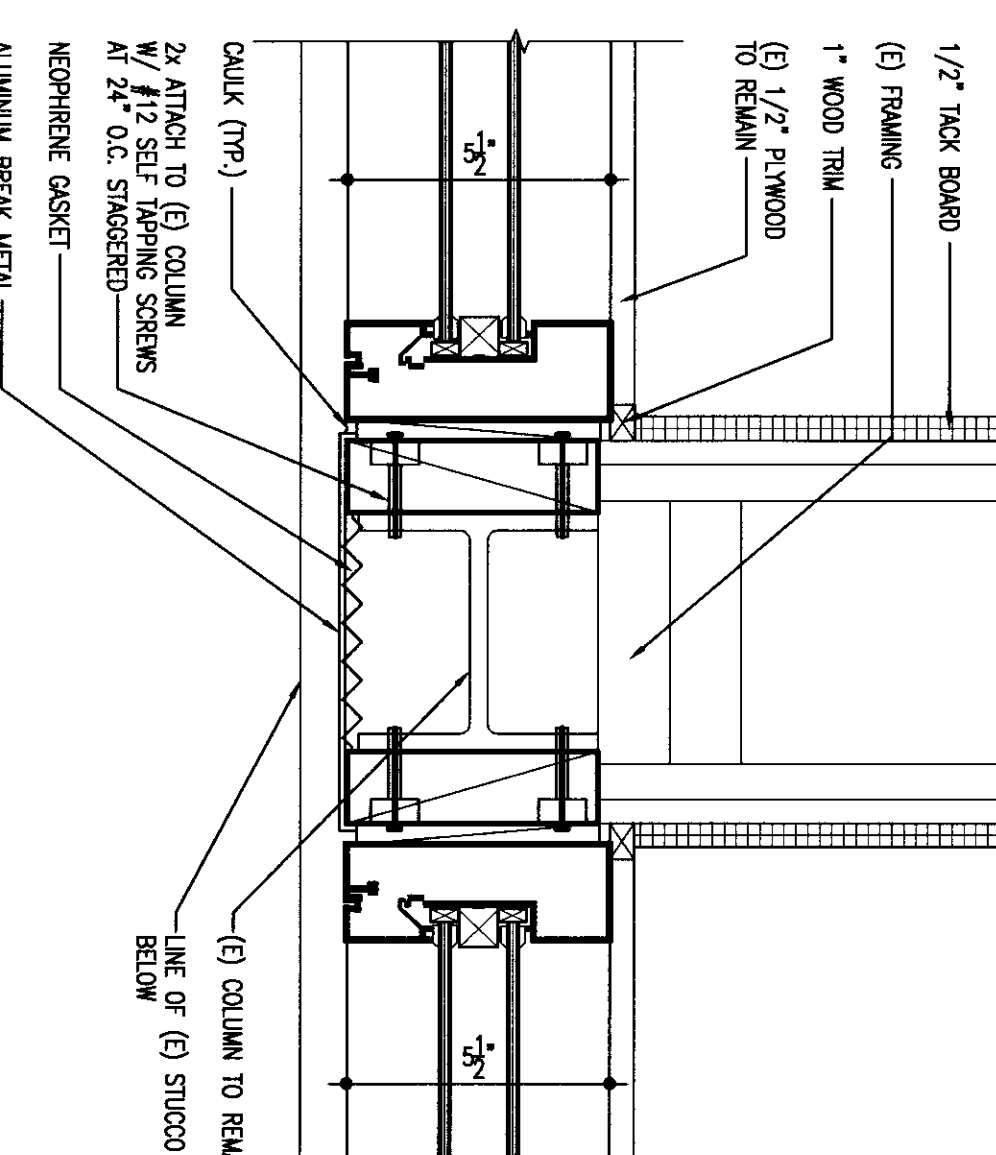
**MULLION AT (E) COLUMN (TYP.)**  
SCALE: 3/4"=1'-0"

17  
A2.02



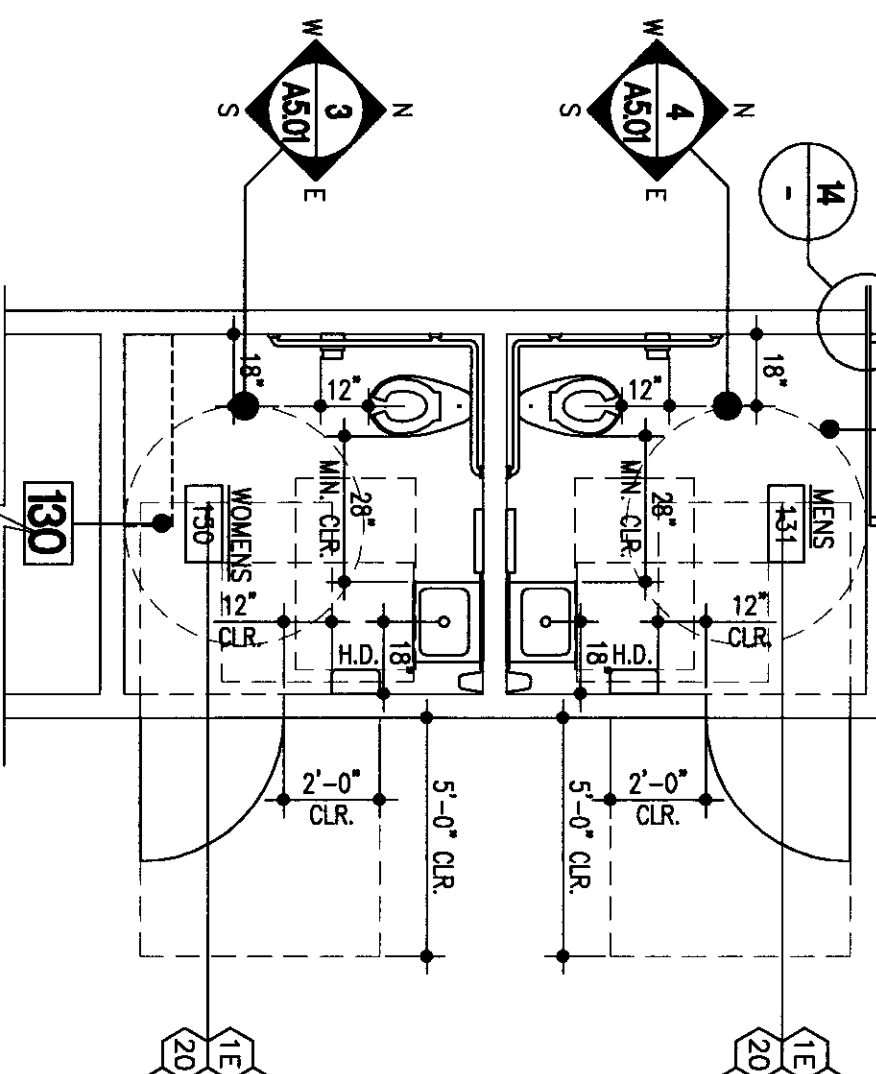
**DOOR AND TRANSOM (TYP.)**  
SCALE: 3/4"=1'-0"

12  
A2.02



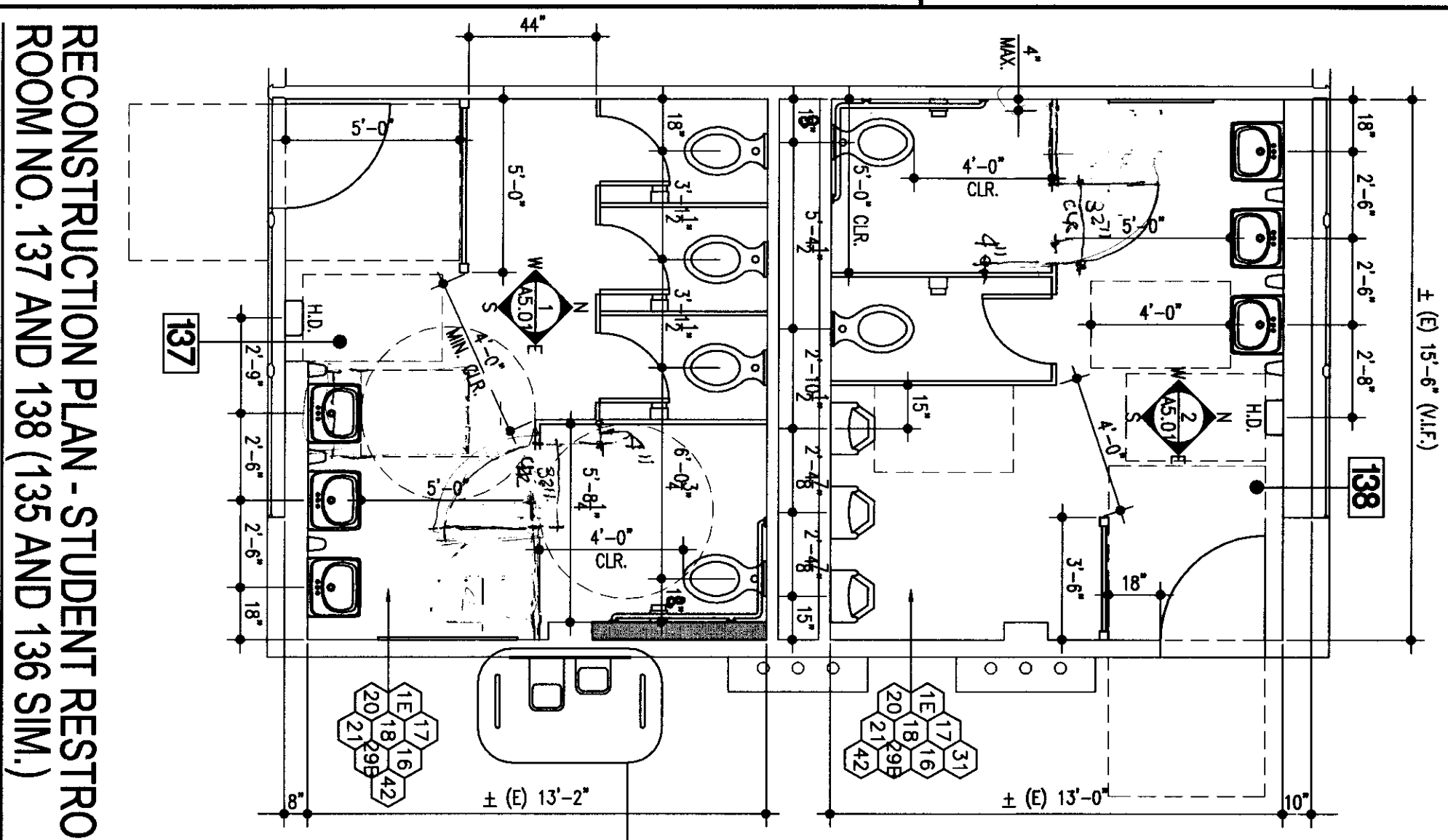
**JAMB @ COL. WALL INTERSECTION (TYP.)**  
SCALE: 3/4"=1'-0"

9  
A2.02



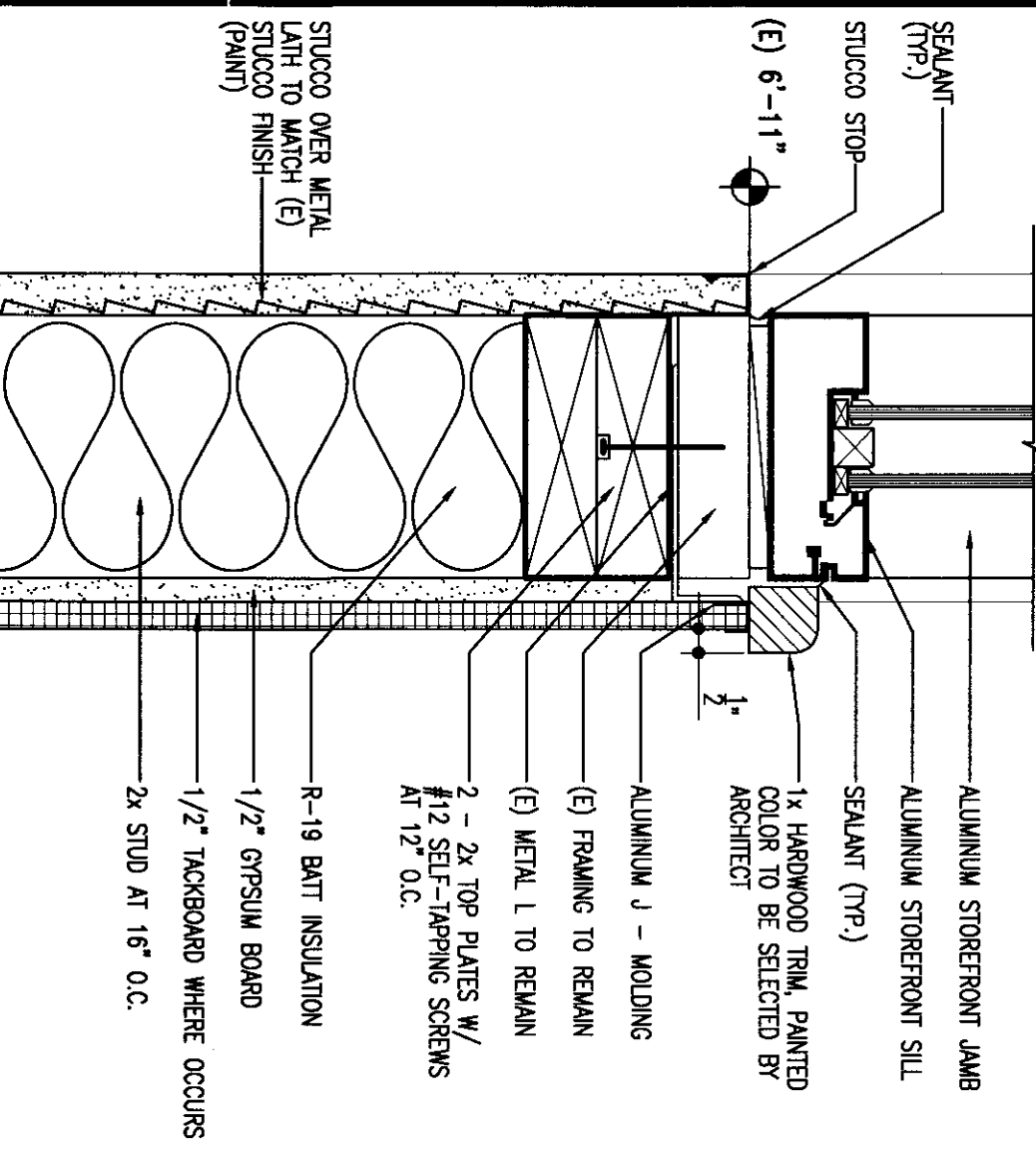
**RECONSTRUCTION PLAN - STAFF RESTROOM BUILDING 'B' - ROOM NO. 130 AND 131**  
SCALE: 1/4"=1'-0"

4  
A2.02



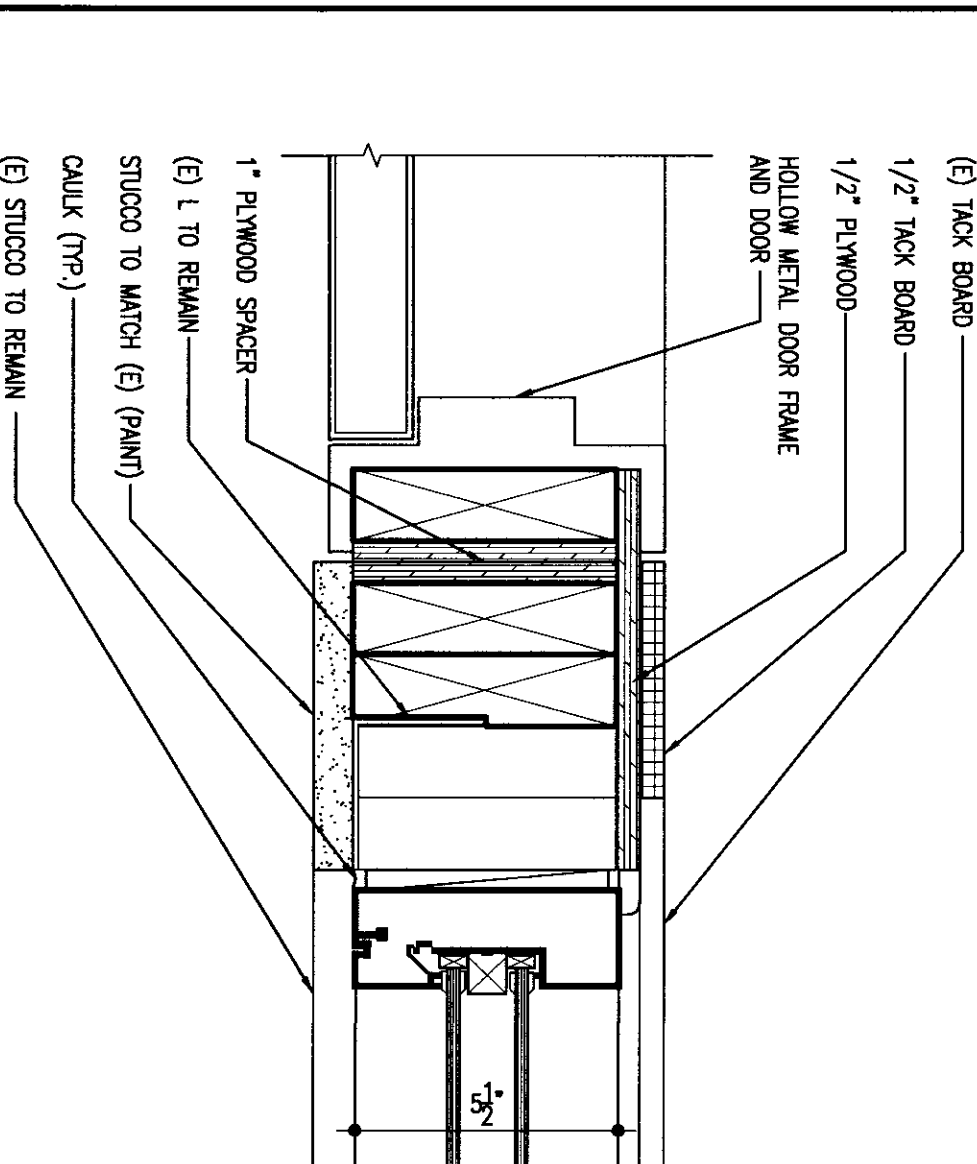
**RECONSTRUCTION PLAN - STUDENT RESTROOM ROOM NO. 137 AND 138 (135 AND 136 SIM.)**  
SCALE: 1/4"=1'-0"

2  
A2.02



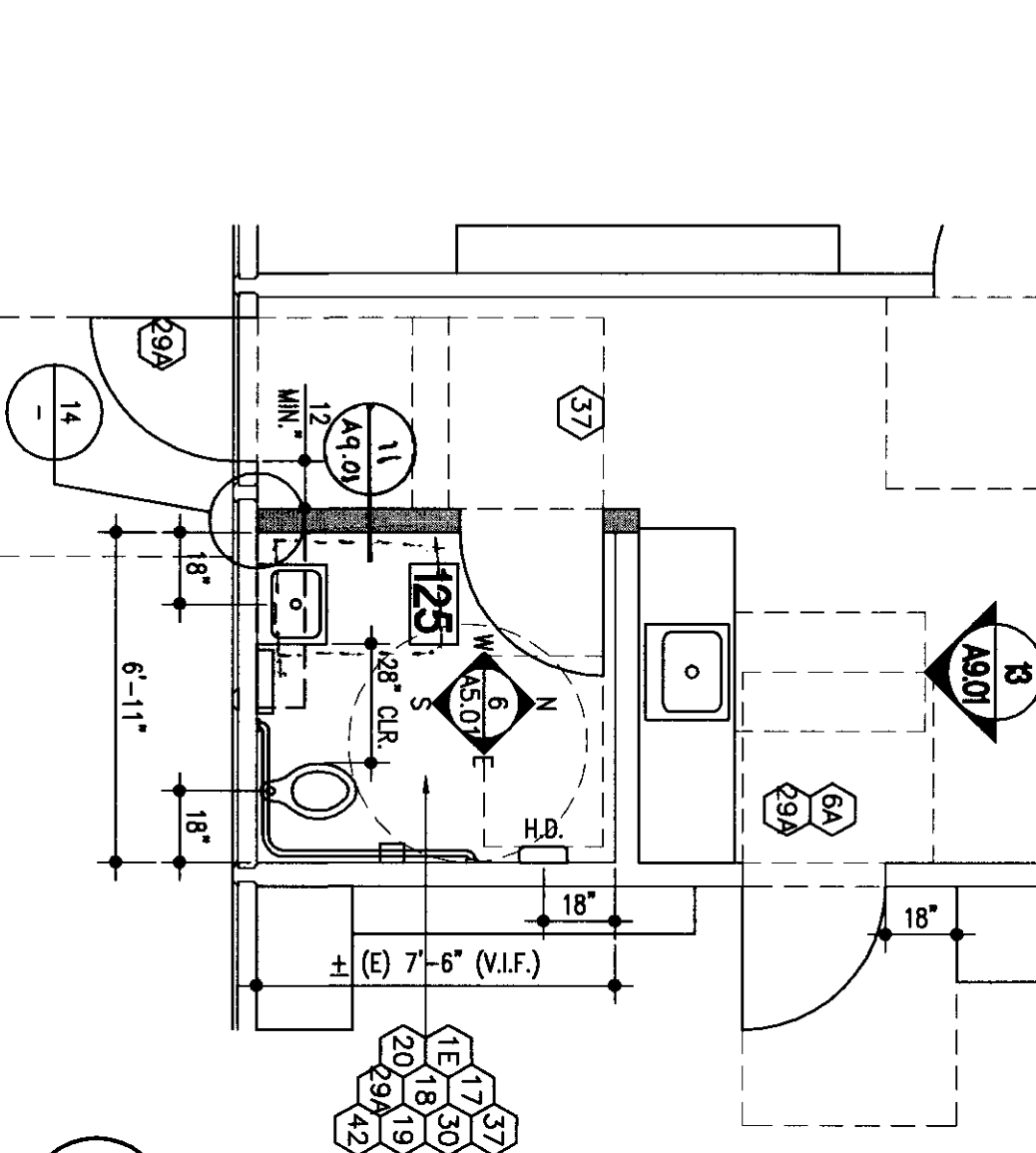
**SILL AT DOOR INFILL (TYP.)**  
SCALE: 3/4"=1'-0"

16  
A2.02



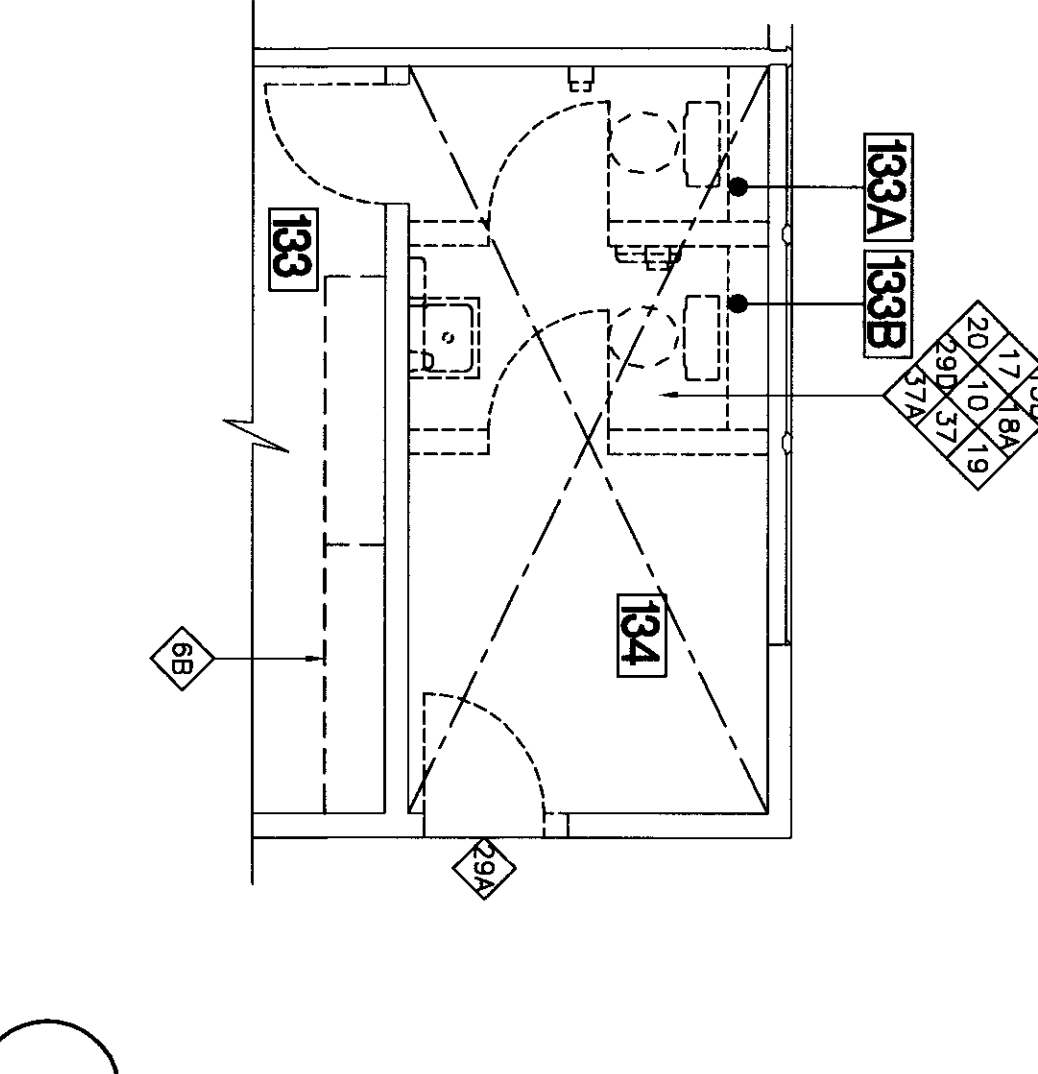
**JAMB (TYP.)**  
SCALE: 3/4"=1'-0"

13  
A2.02



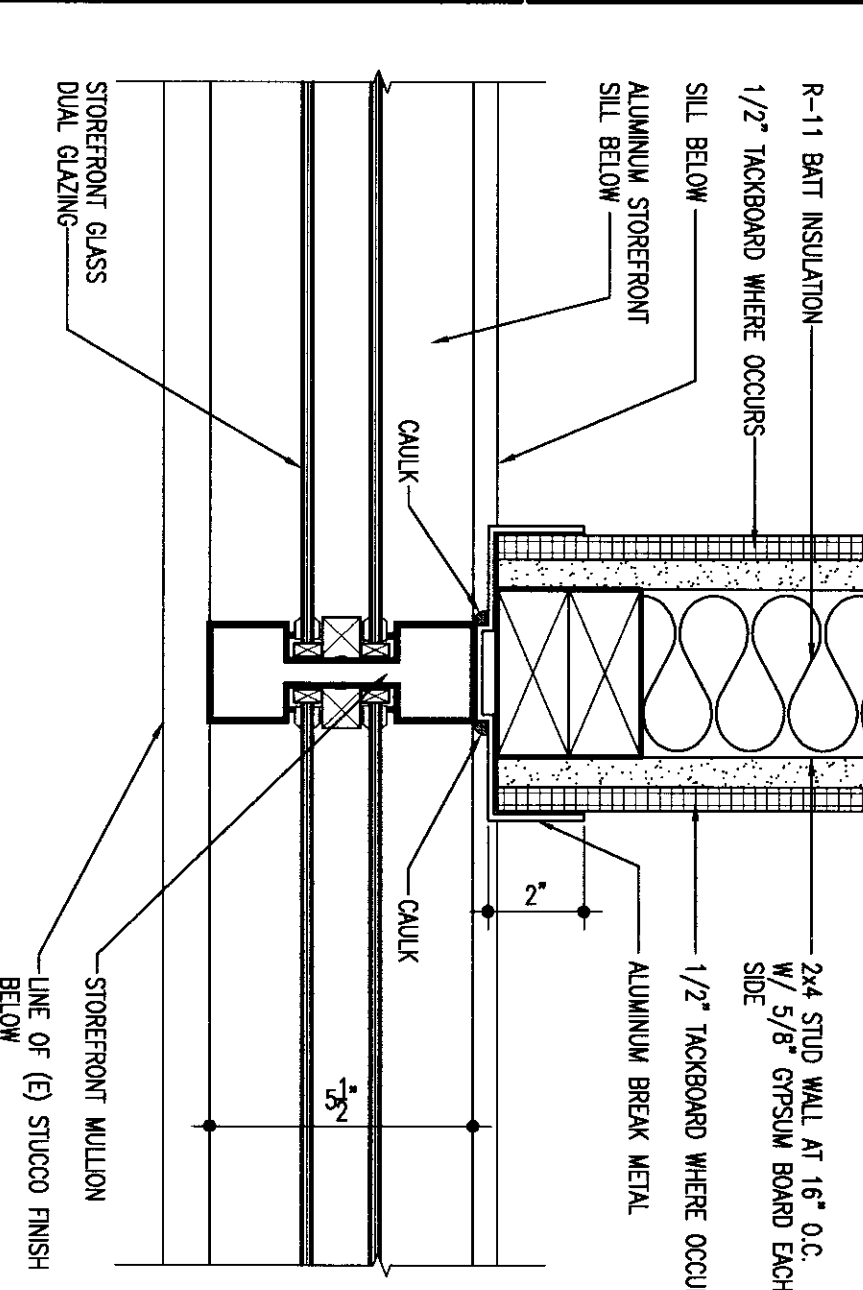
**RECONSTRUCTION PLAN - STAFF RESTROOM BUILDING 'B' - ROOM NO. 125**  
SCALE: 1/4"=1'-0"

8  
A2.02



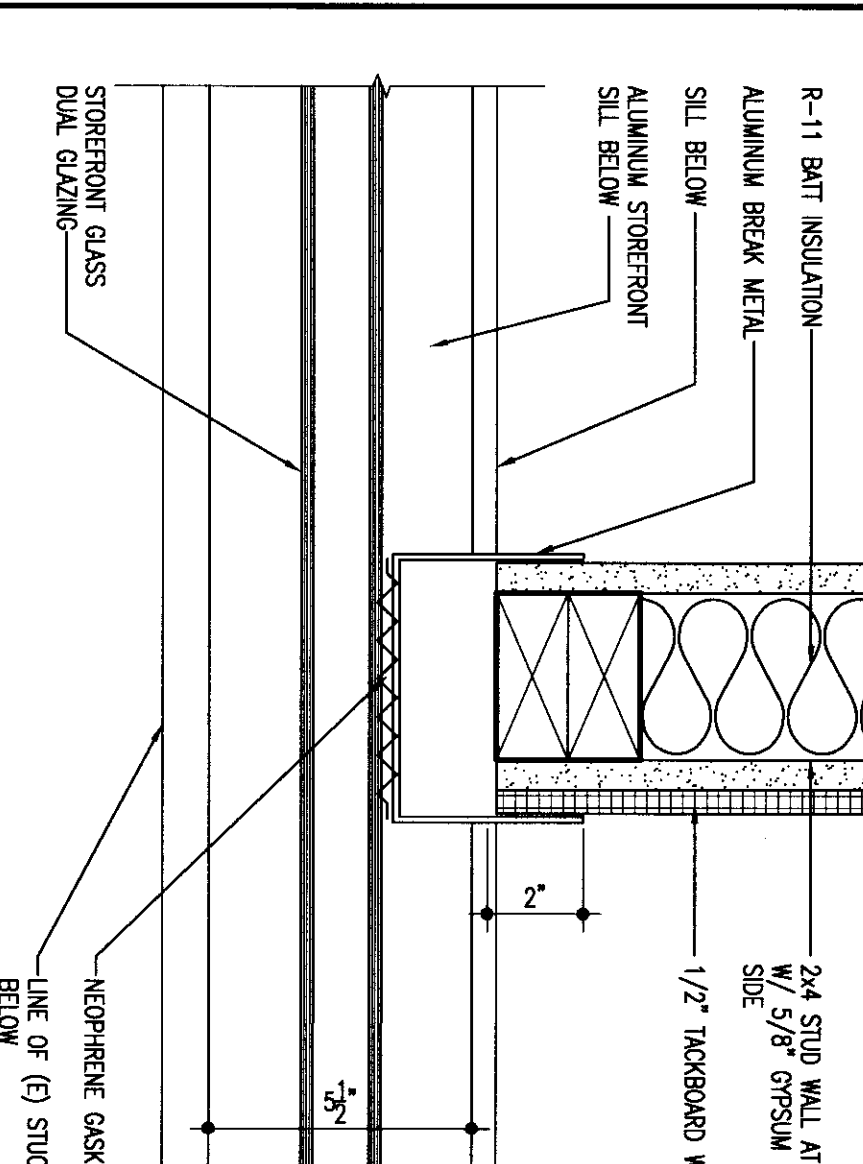
**DEMOLITION PLAN - STAFF RESTROOM BUILDING 'C' - ROOM NO. 133**  
SCALE: 1/4"=1'-0"

5  
A2.02



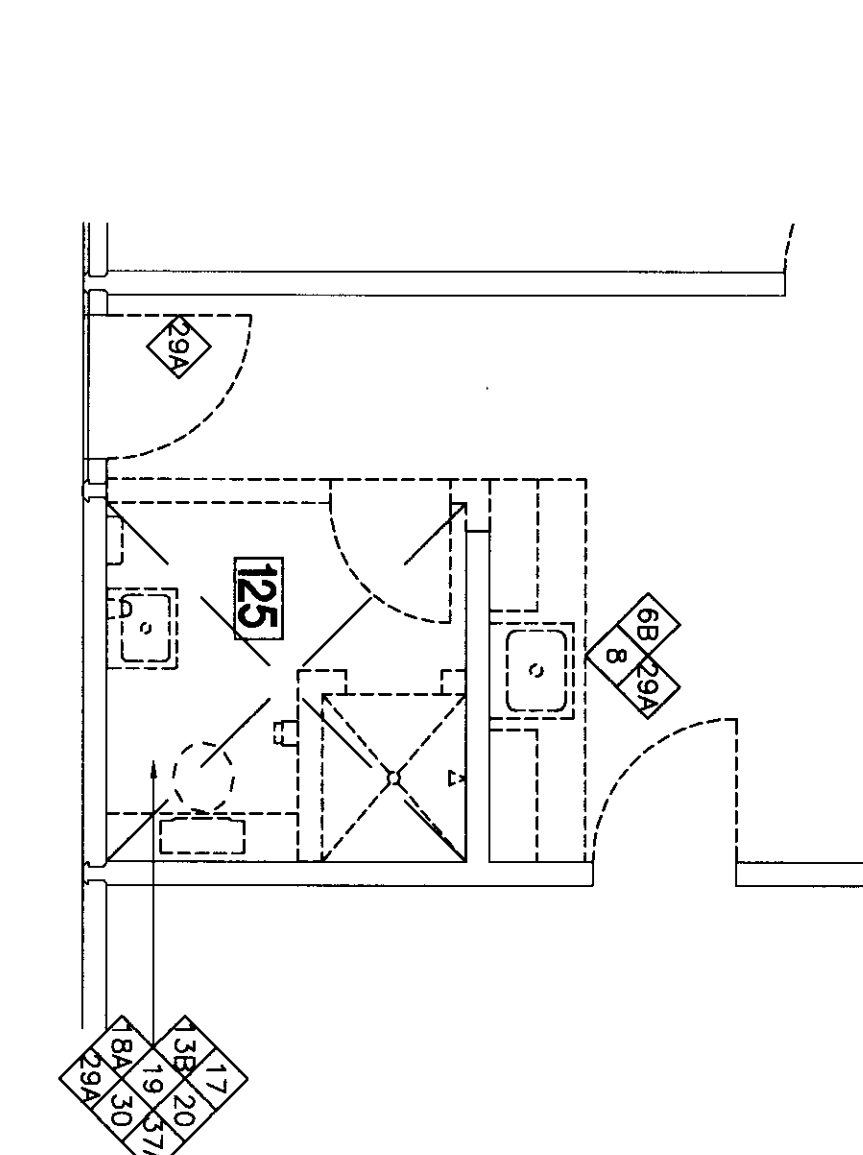
**WALL AT MULLION (TYP.)**  
SCALE: 3/4"=1'-0"

15  
A2.02



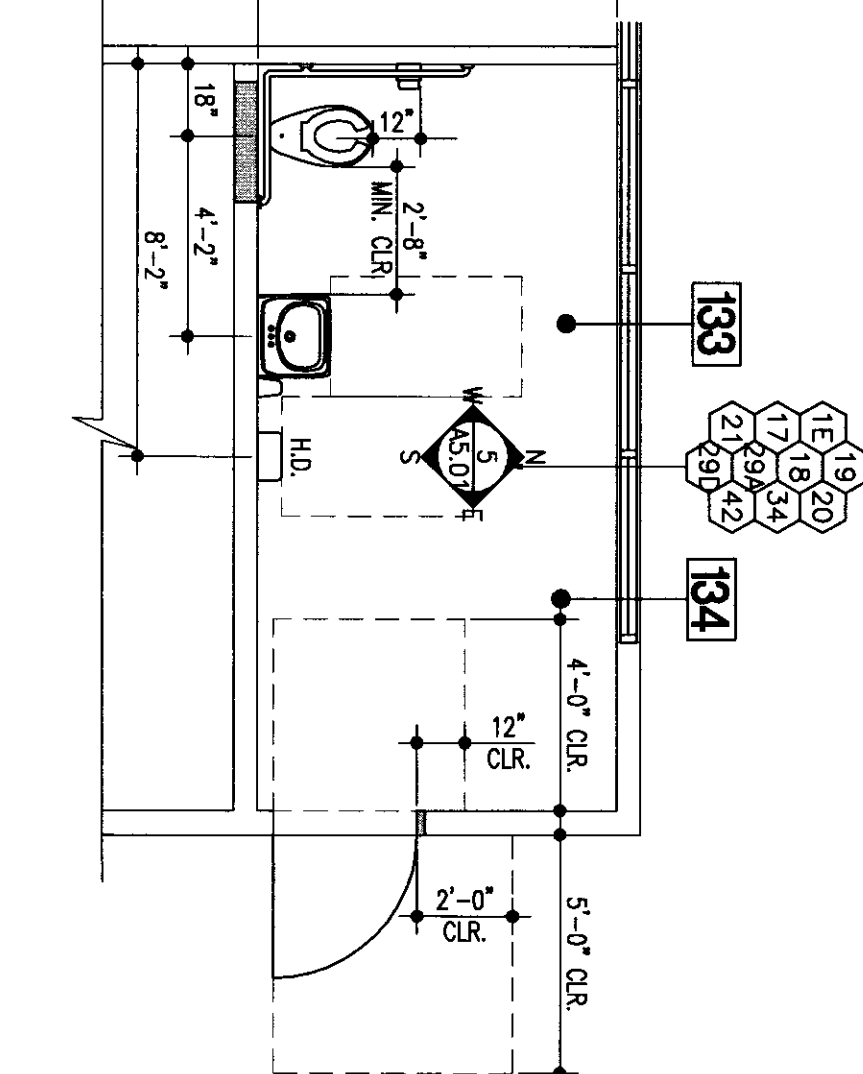
**WALL BETWEEN MULLIONS (TYP.)**  
SCALE: 3/4"=1'-0"

14  
A2.02



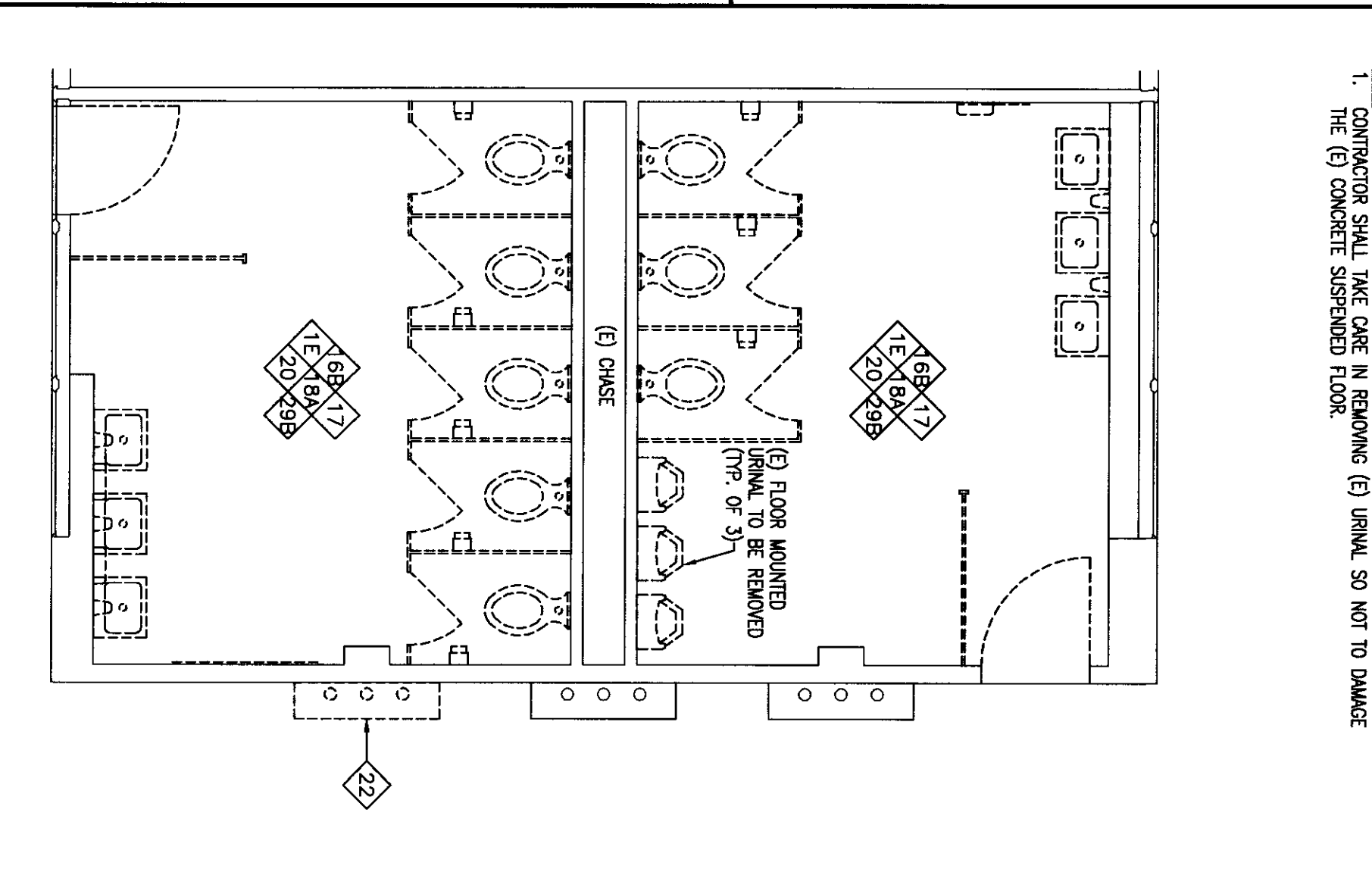
**DEMOLITION PLAN - STAFF RESTROOM BUILDING 'B' - ROOM NO. 125**  
SCALE: 1/4"=1'-0"

7  
A2.02



**RECONSTRUCTION PLAN - STAFF RESTROOM BUILDING 'C' - ROOM NO. 133**  
SCALE: 1/4"=1'-0"

6  
A2.02



**DEMOLITION PLAN - STUDENT RESTROOM ROOM NO. 137 AND 138 (135 AND 136 SIM.)**  
SCALE: 1/4"=1'-0"

1  
A2.02

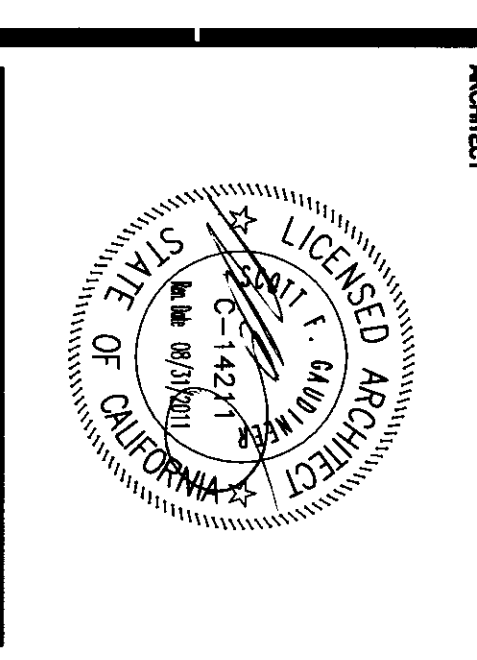
NOTE:  
1. CONTRACTOR SHALL TAKE CARE IN REMOVING (E) MATERIAL SO NOT TO DAMAGE THE (E) CONCRETE SUSPENDED FLOOR.

**FLEWELLING & MOODY**  
architects education

**HEADQUARTERS OFFICE:**  
1415 17th Street, Suite 100  
Berkeley, CA 94710  
Tel: 415.841.4477  
Fax: 415.841.4477  
Email: info@flewellingandmoody.com

**AMELIOP VALLEY OFFICE:**  
10000 Lakeside Blvd., Suite 100  
Livermore, CA 94550  
Tel: 925.437.1100  
Fax: 925.437.1100  
Email: info@flewellingandmoody.com

An Equal Opportunity Corporation



**PROJECT:**  
MODERNIZATION PROJECT AT  
EVERGREEN ELEMENTARY SCHOOL,  
2800 ROSE WALK DRIVE  
BAKERSFIELD, CA 93304

**OWNER:**  
BAKERSFIELD CITY SCHOOL DISTRICT

**DESIGNED BY:**  
SI

**CONTRACTED BY:**  
CB

**DATE:**  
APR 11 2017  
AC 11 2017  
DATE: MAR 18 2010

**ENLARGED DEMOLITION & RECONSTRUCTION PLANS**

**A2.02**

1894  
1-26-2010