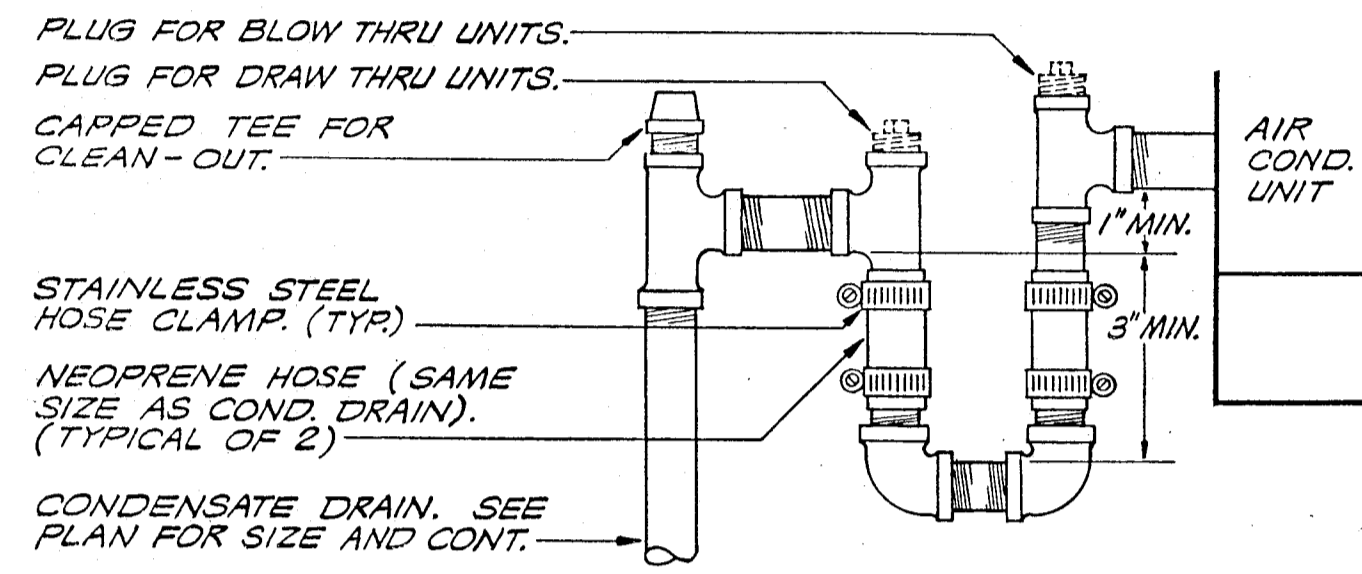
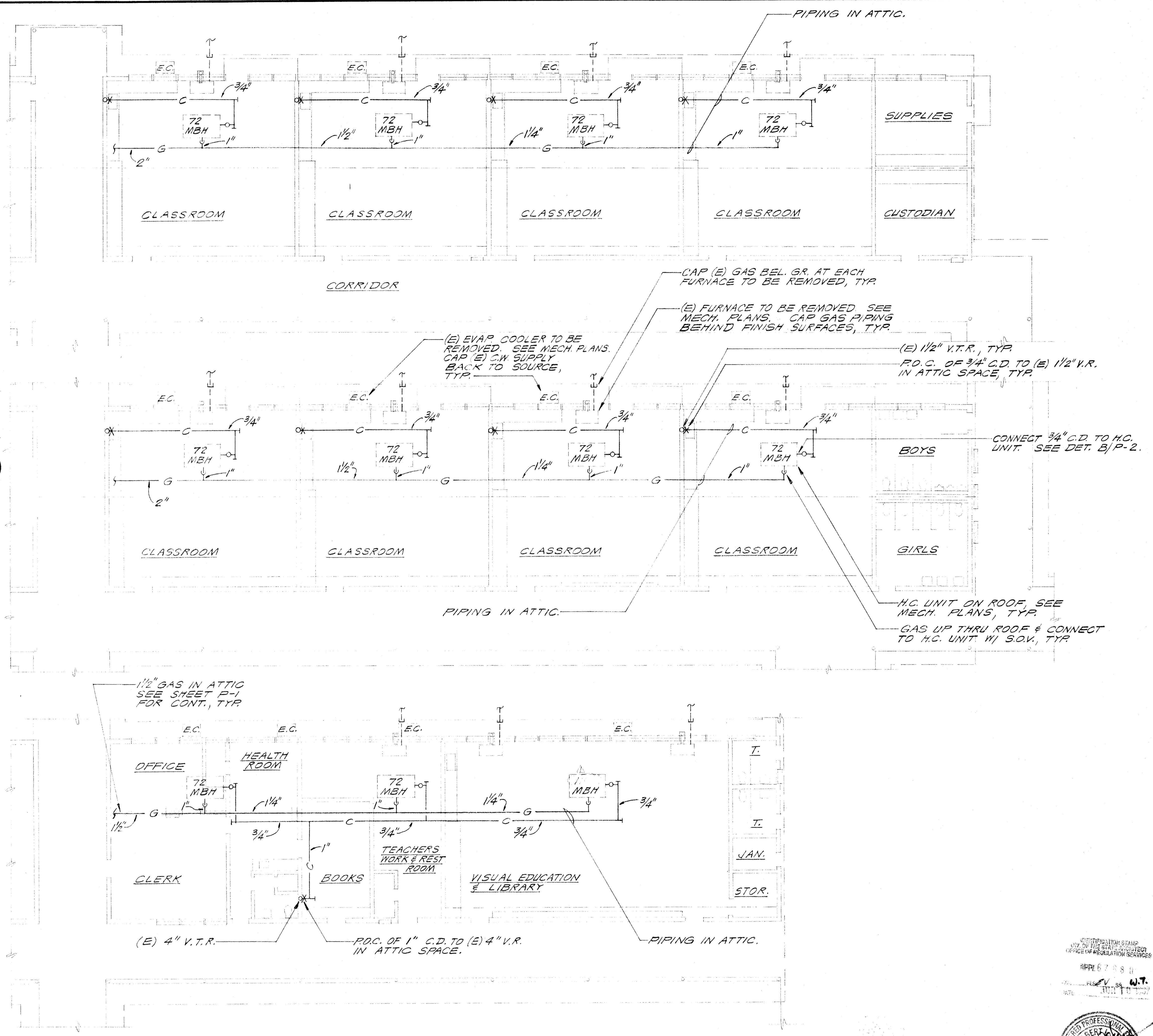


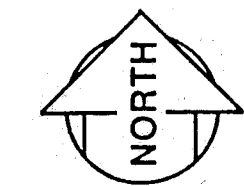
SHUT-OFF VALVE IN BOX DETAIL
SCALE: NONE



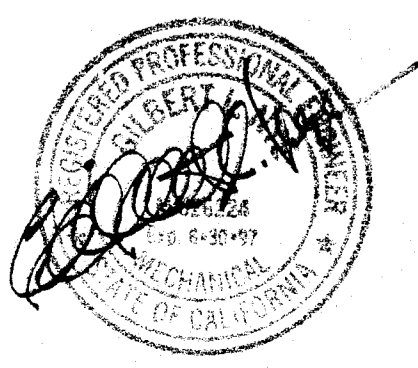
CONDENSATE DRAIN CONNECTION
SCALE: NONE



PLUMBING PLAN
SCALE: 1/8" = 1'-0"



REGISTERED PROFESSIONAL ENGINEER
CITY OF CALIFORNIA
OFFICE OF REGULATION SERVICES
APR 6 1997
P.L. 67-880
W.T.



REVISIONS
DATE VIEW
BY

HEATING & COOLING MODIFICATIONS
CASTRO LANE ELEMENTARY SCHOOL
2600 ROSE MARIE DRIVE
BAKERSFIELD CITY SCHOOL DISTRICT

Lawrence • Nye • Becker Associates
CONSULTING MECHANICAL ENGINEERS, INCORPORATED
1400 Easton Drive, Suite 130
Bakersfield, California 93309
(805) 322-9211 FAX 805-322-6337

DATE 4-4-97
DRAWN R.G.
CHECKED D.O.
PROJECT 96298
SHEET