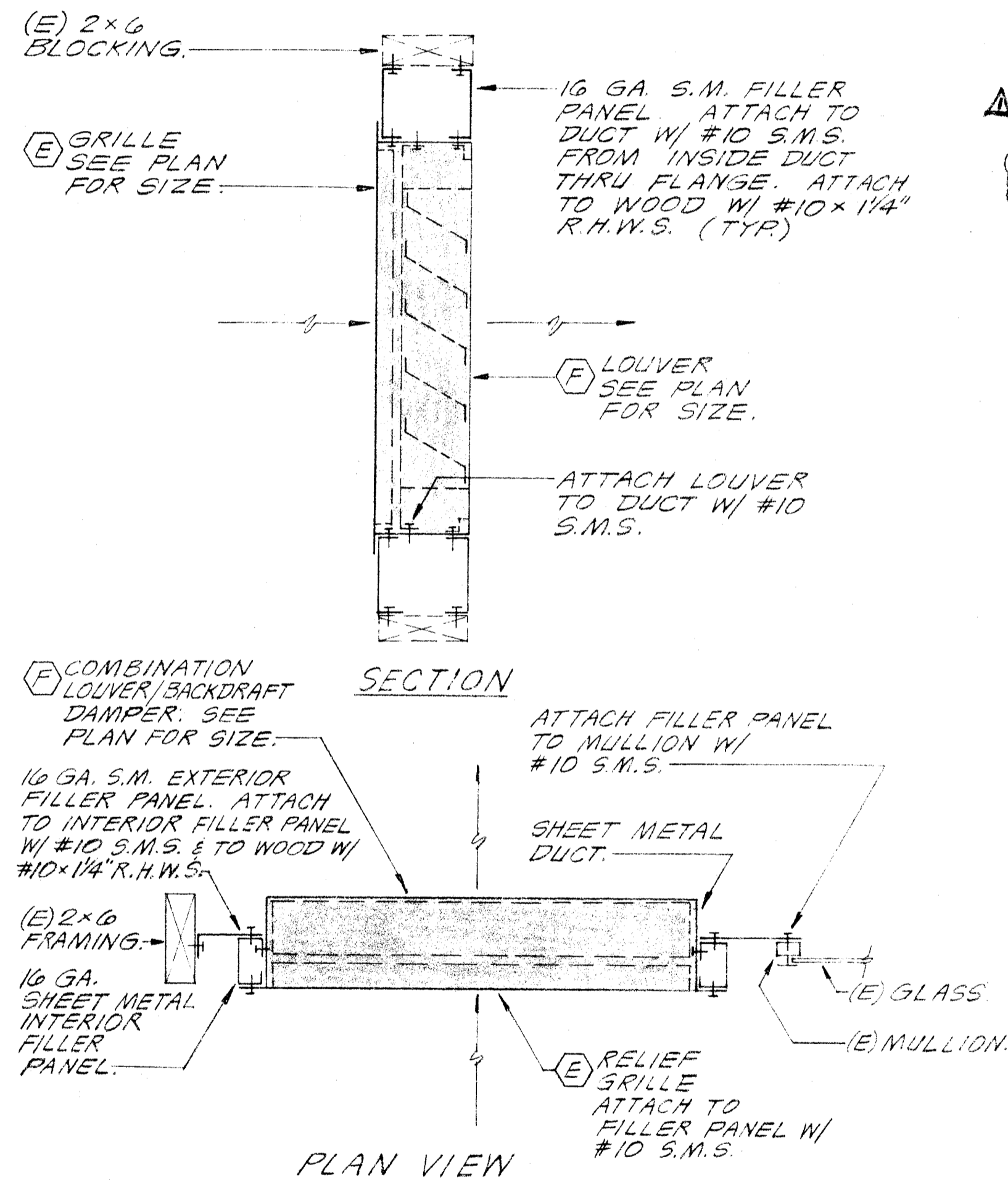


RESTRICTED HEIGHT S.A. DEVICE

SCALE: NONE

D
M-3

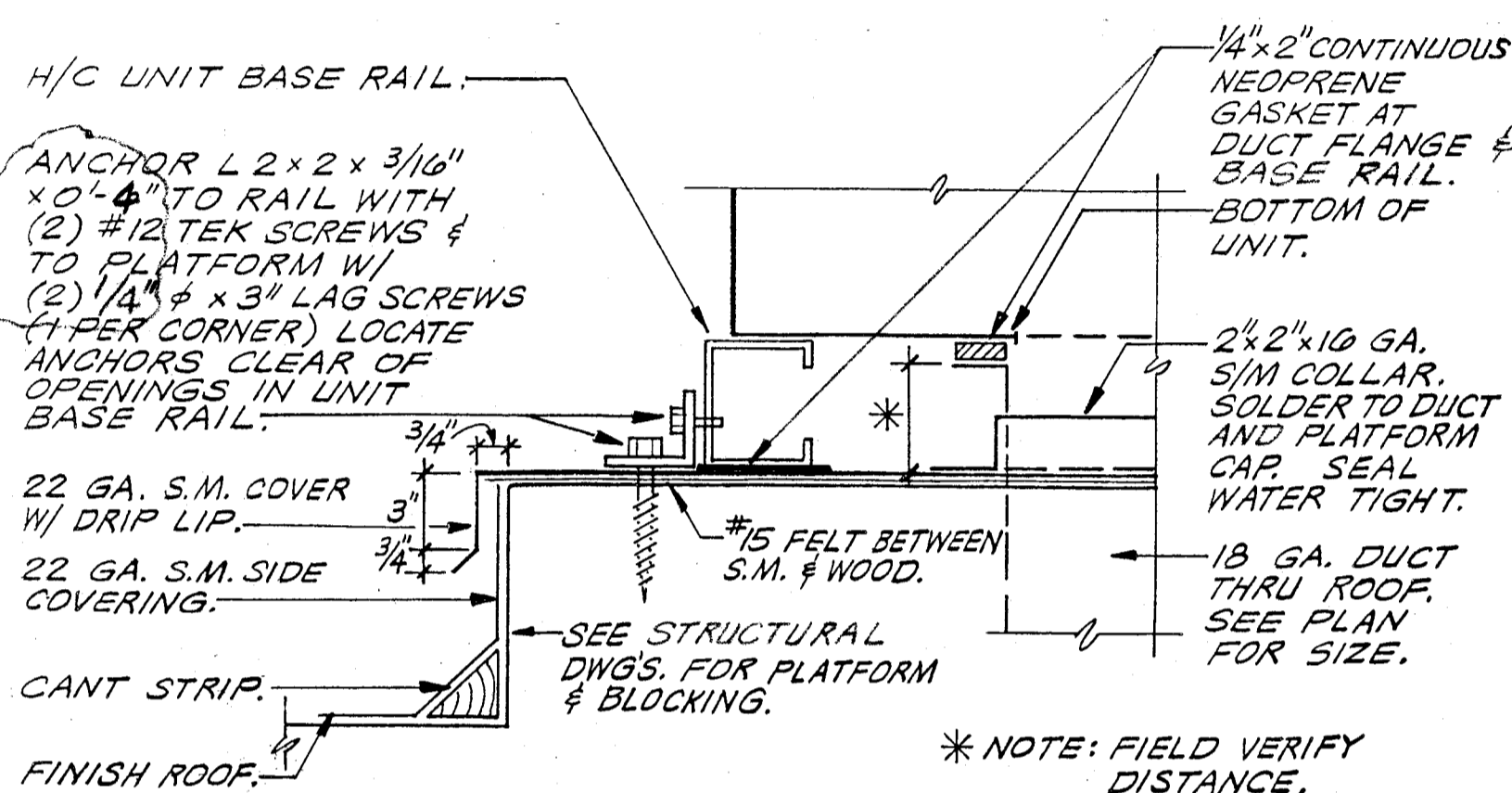


BAROMETRIC RELIEF ASSEMBLY

SCALE: NONE

E
M-3

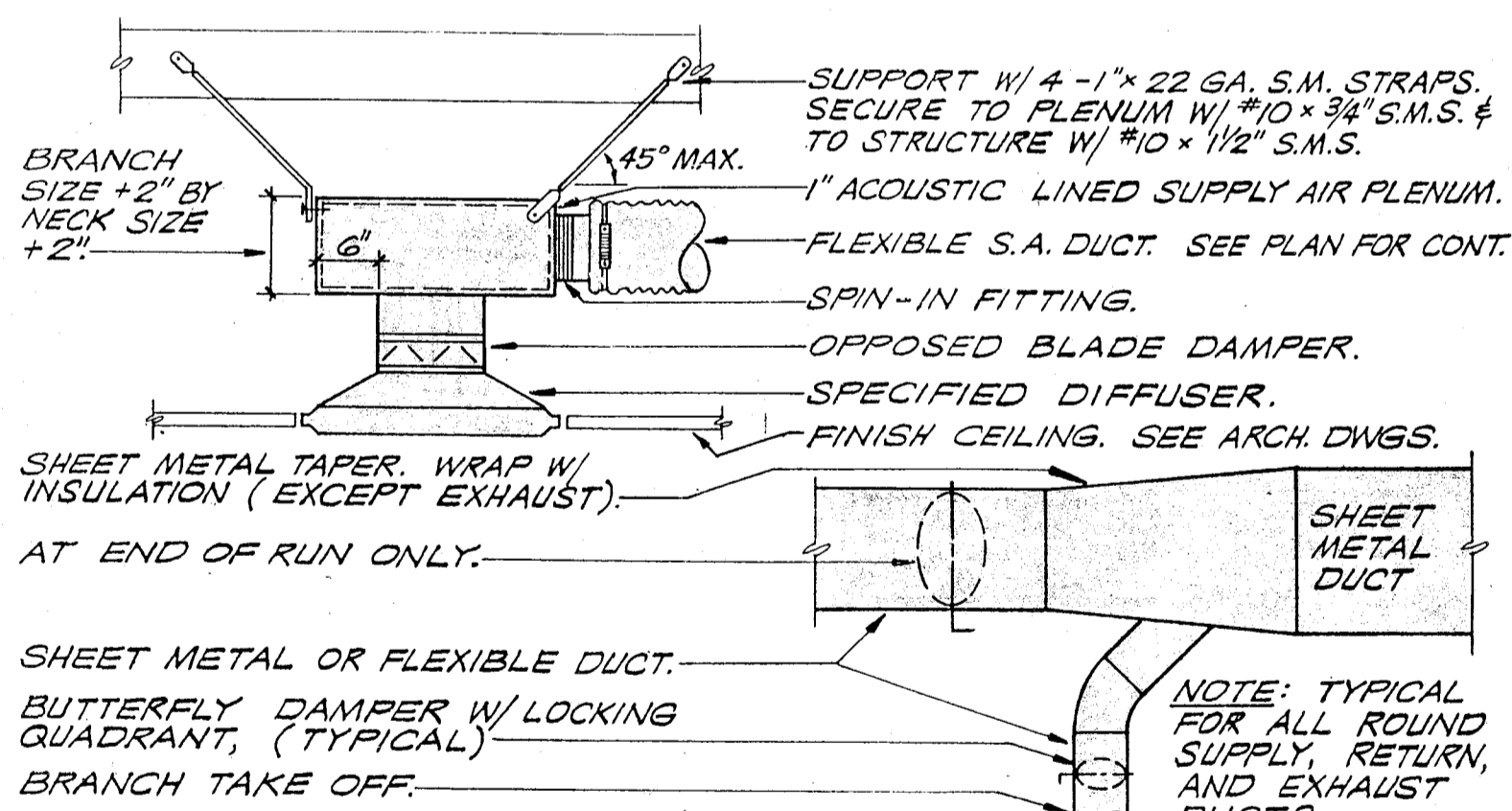
GRILLE SCHEDULE		
MARK	DUTY	DESCRIPTION
A	CEILING SUPPLY	TITUS TDC (TYPE 3) LOUVER FACE SQUARE OR RECTANGULAR NECK DIFFUSER FOR STD. LAY-IN CEILING WITH O.B.D., AND NO. 24 OFF-WHITE FINISH.
B	CEILING SUPPLY	TITUS TDC (TYPE 1) LOUVER FACE SQUARE OR RECTANGULAR NECK DIFFUSER FOR SURFACE MOUNTING WITH O.B.D., AND NO. 24 OFF-WHITE FINISH.
C	CEILING RETURN	TITUS CORE 50F (TYPE 3) ALUMINUM EGG CRATE REGISTER WITH 1/2" x 1/2" GRID FOR LAY-IN CEILING, WITH O.B.D., AND NO. 24 OFF-WHITE FINISH.
D	CEILING RETURN	TITUS CORE 50F (TYPE 1) ALUMINUM EGG CRATE REGISTER WITH 1/2" x 1/2" GRID FOR SURFACE MOUNTING, WITH O.B.D., AND NO. 24 OFF-WHITE FINISH.
E	RELIEF GRILLE	TITUS CORE 23RL STEEL GRILLE, NO. 24 OFF-WHITE FINISH.
F	COMBINATION LOUVER	RUSKIN ELBD 813 COMBINATION STATIONARY LOUVER W/BACKDRAFT DAMPER, EXTRUDED ALUMINUM CONSTRUCTION, REMOVABLE 1/2" MESH SCREEN ON INSIDE FACE. MILL FINISH FOR PAINTING.



H.C. UNIT MOUNTING

SCALE: NONE

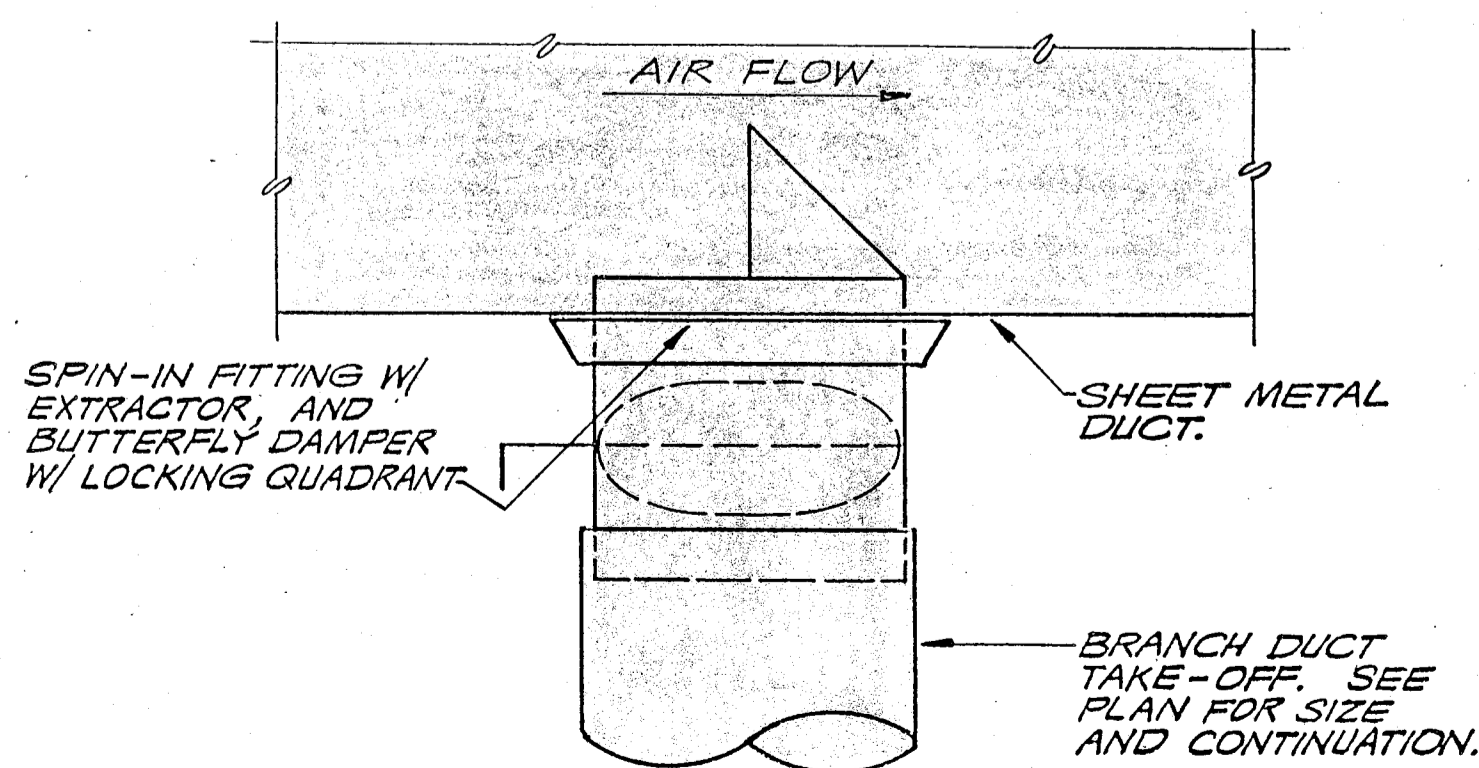
A
M-3



TYP. S.A. DEVICE - BRANCH DUCT DETAIL

SCALE: NONE

B
M-3



TYPICAL SPIN-IN TAKE-OFF

SCALE: NONE

C
M-3

PACKAGE AIR CONDITIONING UNIT SCHEDULE						
DESIGNATION	H/C 1	H/C 2	H/C 3	H/C 4A	H/C 4B	H/C 5A
NAMEPLATE AMPS	19.5	9.0	9.7	14.7	15.2	
VOLTS/PHASE	230/1	460/3	460/3	460/3	460/3	
EER/SEER (AT ARI)	- / 12.0	11.2 / 13.0	11.0 / 13.0	11.0 / 13.0	11.0 / -	
CFM	800	1200	1600	2000	2400	
DUCT SP (IN WC)	0.6	0.8	0.8	0.8	0.8	
MIN OSA (CFM)	100	125	150	375	450	
HP/SPEED	0.46 / MED	1 / -	1 1/2 / -	2 / -	1.89 / -	
DRIVE	DIRECT	BELT	BELT	BELT	BELT	
MAX FUSE SIZE	30	15	15	20	20	
SENSIBLE (MBH)	17.8	29.7	36.9	49.2	62.9	
TOTAL (MBH)	20.8	34.4	43.3	56.5	71.4	
EADB/EAMB (°F)	80/64	80/64	80/64	80/64	80/64	
AMB AIR (°F)	105	105	105	105	105	
HEATING INPUT (MBH)	40.0	50.0	59.0	59.0	115.0	
HEATING OUTPUT (MBH)	32.8	41.0	72.0	72.0	93.2	
FUEL	NATURAL GAS	NATURAL GAS	NATURAL GAS	NATURAL GAS	NATURAL GAS	
QUANTITY/SIZE	1) 24" x 24" x 2"	2) 16" x 25" x 2"	2) 16" x 25" x 2"	2) 16" x 25" x 2"	2) 16" x 25" x 2"	
TYPE	CAM-FARR 30/30	CAM-FARR 30/30	CAM-FARR 30/30	CAM-FARR 30/30	CAM-FARR 30/30	
PD (IN WC)	0.3	0.3	0.3	0.3	0.3	
MANUFACTURER	CARRIER	CARRIER	CARRIER	CARRIER	CARRIER	
TYPE	VERT. DISCHARGE	VERT. DISCHARGE	VERT. DISCHARGE	VERT. DISCHARGE	VERT. DISCHARGE	
MODEL NUMBER	485X024	48HJED04	48JHJED05	48HJED06	48HJED07	
LOCATION	WORK ROOM	TEACH. WK. RM.	ADMIN.	TYP. CLASSROOM	KINDER. & LIB.	
OPER WT (LBS)	400	565	575	595	680	
ACCESSORIES	SEE SPECS ②	SEE SPECS ①	SEE SPECS ①	SEE SPECS ①	SEE SPECS ①	

- ① FULLY MODULATING ECONOMIZER.
- ② BASE RAIL.

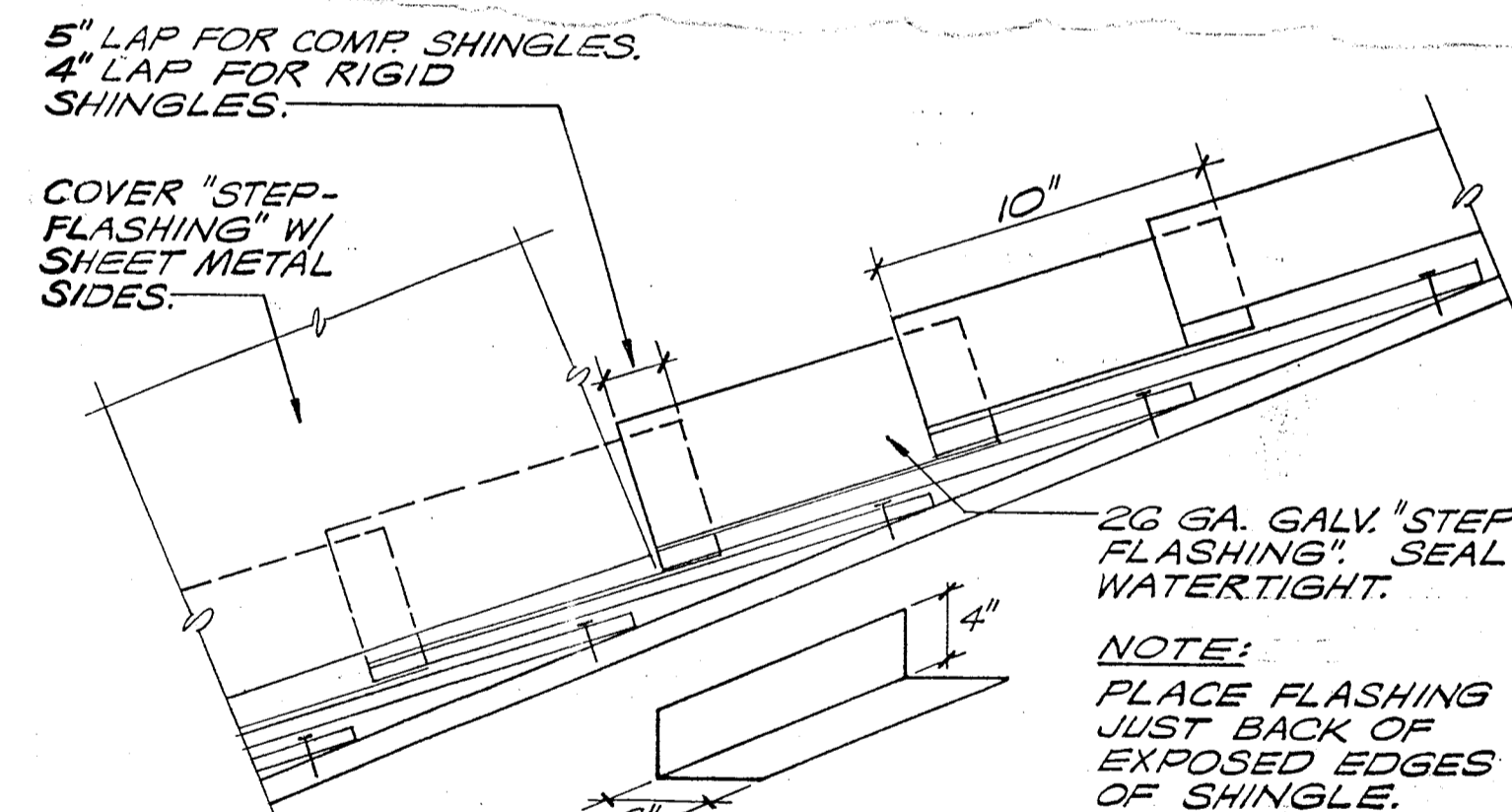
All mechanical equipment shall be braced or anchored to resist a horizontal force acting in any direction using the following criteria:

Equipment on Grade	20% of Operating Weight
Equipment on Structure	30% of Operating Weight

For flexibility mounted equipment use 4 x the above values, and for simultaneous vertical force use 1/3 x the horizontal force.

The above values are for an importance factor, I = 1.0 and seismic zone, Z = 0.4.

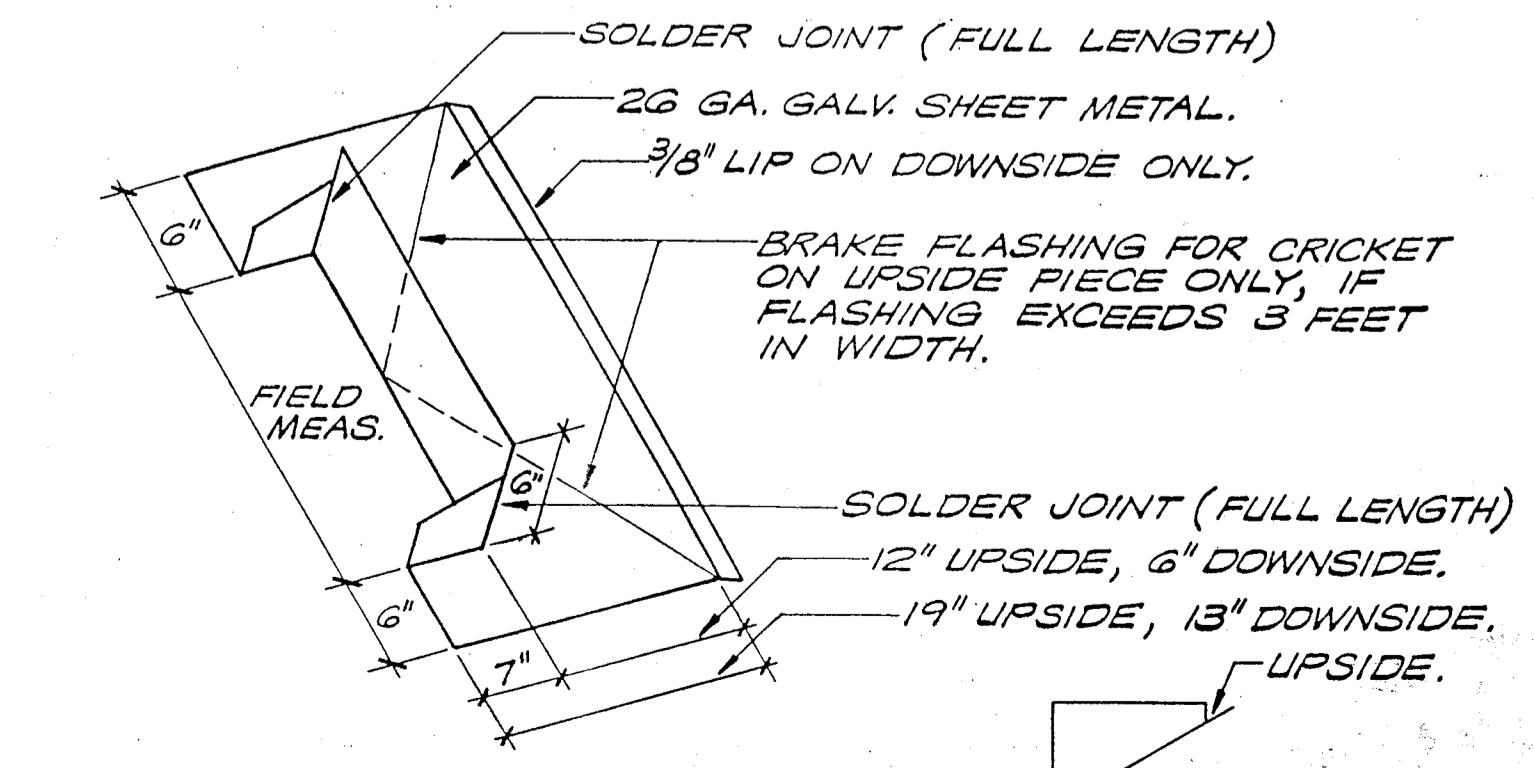
Where anchorage details are not shown on the drawings the field installation shall be subject to the approval of the Mechanical Engineer and the field Engineer of the Division of the State Architect.



SIDE FLASHING DETAIL

SCALE: NONE

F
M-3



A.C. PLATFORM FLASHING

SCALE: NONE

G
M-3

DSA REVIEW
5-27-97

HEATING & COOLING MODIFICATIONS
CASTRO LANE ELEMENTARY SCHOOL
2600 ROSE MARIE DRIVE
BAKERSFIELD CITY SCHOOL DISTRICT

Lawrence • Nye • Becker Associates
CONSULTING MECHANICAL ENGINEERS, INCORPORATED
1400 Easton Drive, Suite 130
Bakersfield, California 93309
(805) 322-9211 FAX 805-322-6827

DATE 4-4-97
DRAWN RAR
CHECKED GLN
PROJECT 96298
SHEET