

480/277 VOLTS 3 Ø 4 WIRE		14,000 BREAKER A. I. C.	
225 A. BUSSING 225 A. MAIN BKR.		6 1/2" MAX. ENCL. DEPTH	
30 CIRCUIT		SURFACE MOUNTING	
BOLT-ON BKRS		WEATHERPROOF	
PANEL "BA"			
LINE NO.	BKR	LOAD V. A.	DESCRIPTION
1	Ø3	16,280	TE-4G, 4H, 4J & 4K
3		16,280	TOTAL FLA = 50.0
5		16,280	
7			SPACE
9			
11			
13			
15			
17			
19			
21			
23			
25			
27			
29			

TOTAL LOADS: ØA: 20,490 V.A. 102.9 AMPS ØB: 20,490 V.A. 102.9 AMPS ØC: 20,490 V.A. 102.9 AMPS

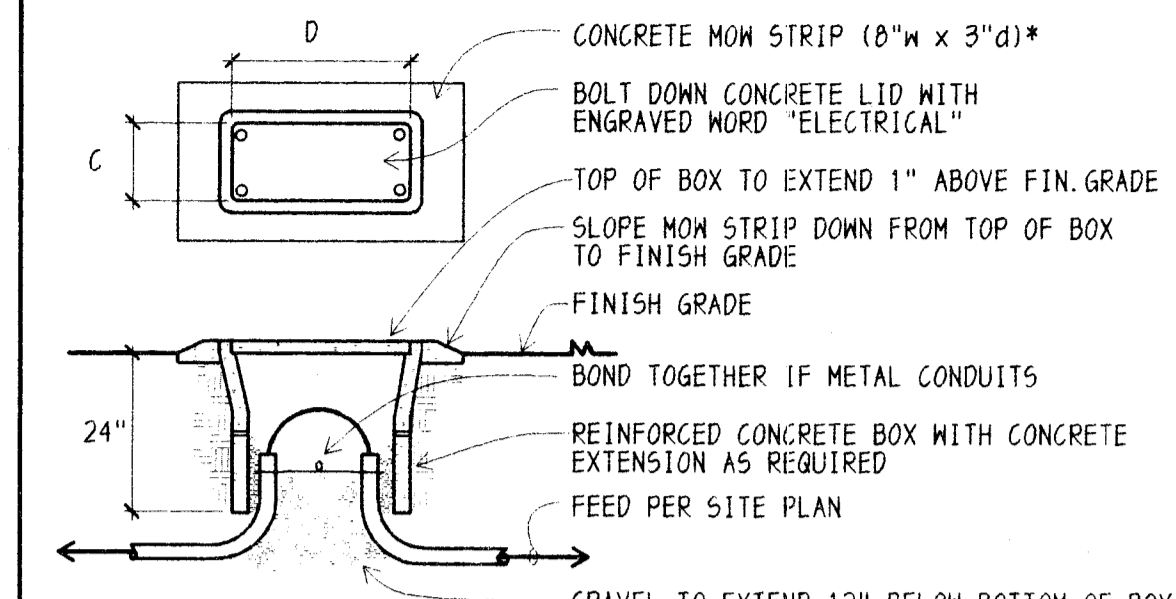
480/277 VOLTS 3 Ø 4 WIRE		14,000 BREAKER A. I. C.	
225 A. BUSSING 225 A. MAIN BKR.		6 1/2" MAX. ENCL. DEPTH	
30 CIRCUIT		SURFACE MOUNTING	
BOLT-ON BKRS		WEATHERPROOF	
PANEL "DC"			
LINE NO.	BKR	LOAD V. A.	DESCRIPTION
1	Ø3	16,280	HC-4L, 4M, 4N & 4P
3		16,280	TOTAL FLA = 50.0
5		16,280	
7			SPACE
9			
11			
13			
15			
17			
19			
21			
23			
25			
27			
29			

TOTAL LOADS: ØA: 20,490 V.A. 102.9 AMPS ØB: 20,490 V.A. 102.9 AMPS ØC: 20,490 V.A. 102.9 AMPS

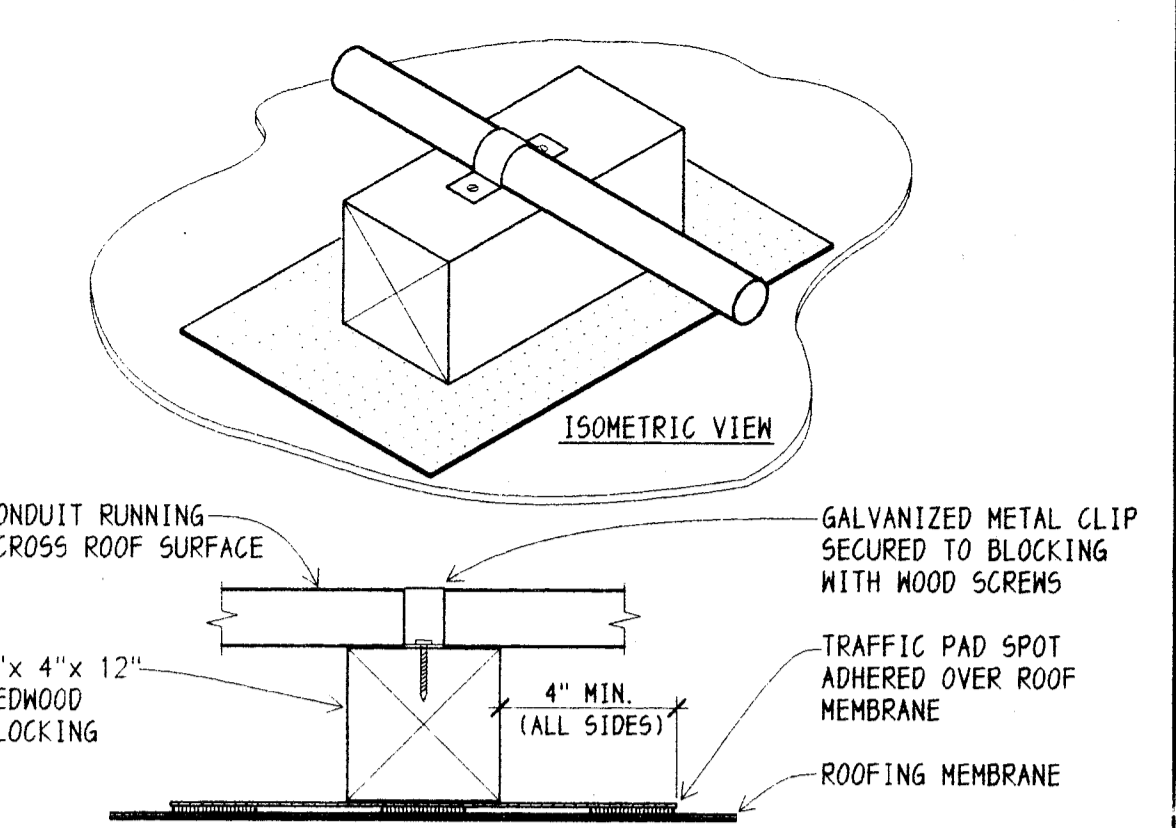
480/277 VOLTS 3 Ø 4 WIRE		14,000 BREAKER A. I. C.	
225 A. BUSSING 225 A. MAIN BKR.		6 1/2" MAX. ENCL. DEPTH	
30 CIRCUIT		SURFACE MOUNTING	
BOLT-ON BKRS		WEATHERPROOF	
PANEL "HK"			
LINE NO.	BKR	LOAD V. A.	DESCRIPTION
1	Ø2	4000	HC-1, 19.5 FLA
3		4000	TOTAL FLA = 30.4
5	Ø3	9390	HC-2, 3 & 5C
7		9390	TOTAL FLA = 39.9
9		9390	
11			SPACE
13			
15			
17			
19			
21			
23			
25			
27			
29			

TOTAL LOADS: ØA: 21,805 V.A. 78.0 AMPS ØB: 20,805 V.A. 78.0 AMPS ØC: 17,805 V.A. 64.3 AMPS

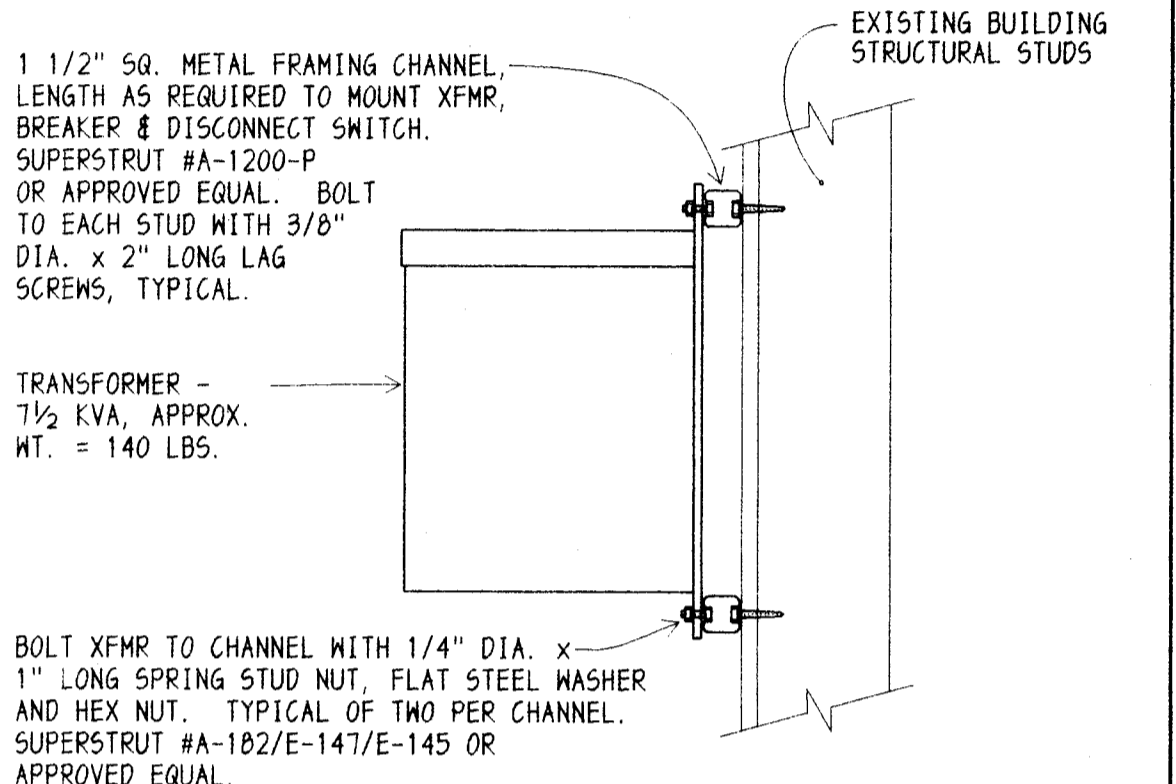
PULL BOX	PB1	PB2
C	22 1/4"	24"
D	35 1/4"	35 1/2"



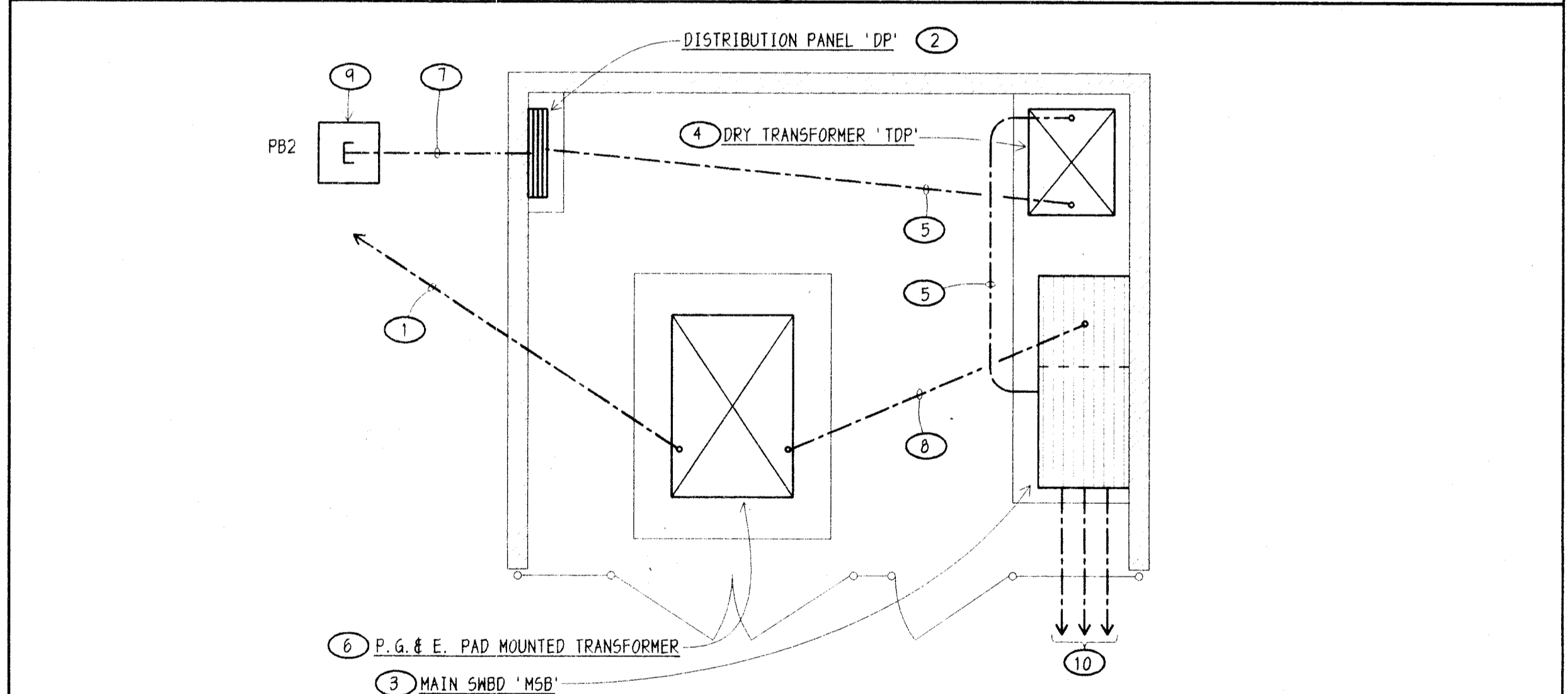
1 POWER PULLBOX NT5



4 CONDUIT ON ROOF NT5



5 7 1/2 KVA TRANSFORMER MOUNTING NT5



3 SERVICE EQUIPMENT ENCLOSURE DETAIL SCALE: 1/4" = 1'-0"

NOTES (THIS DETAIL ONLY):

- PRIMARY SERVICE FEED TO UTILITY CO. POLE PER ONE LINE DIAGRAM.
- MOUNT PER DETAIL #7/E-4.
- PER DETAILS #1/E-4 AND 3/E-4.
- PER DETAIL #6/E-4.
- FEEDER PER ONE LINE DIAGRAM.
- PROVIDE PAD PER P.G. & E. REQUIREMENTS.
- STUBS PER SITE ELECTRICAL PLAN.
- SECONDARY FEED PER ONE LINE DIAGRAM.
- PULL BOX PER DETAIL #1/E-5.
- PANEL FEEDERS AND STUBS PER ONE LINE DIAGRAM.

CORNELIUS - SING CONSULTING GROUP, INC.  
 Consulting Electrical Engineers  
 918 W. Main St. - Ph. 733-2671  
 Visalia, California 93291

DATE: 4-2-97  
 DRAWN: RTS  
 CHECKED: J.L.J.  
 PROJECT: 96298  
 SHEET: E-5

REVISIONS

HEATING & COOLING MODIFICATIONS  
 CASTRO LANE ELEMENTARY SCHOOL  
 2600 ROSE MARIE DRIVE  
 BAKERSFIELD CITY SCHOOL DISTRICT

Lawrence Nye Becker Associates  
 CONSULTING MECHANICAL ENGINEERS, INCORPORATED  
 1400 Easton Drive, Suite 130  
 Fresno, California 93711  
 (805) 322-9211

PROFESSIONAL ENGINEER  
 STATE OF CALIFORNIA  
 No. 7198  
 Exp. 9/30/98