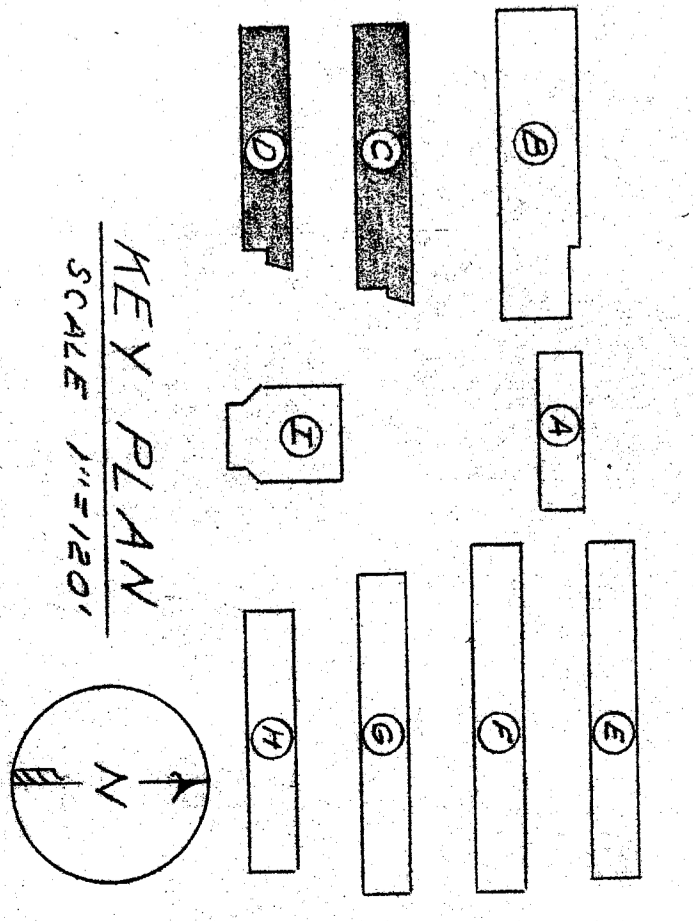
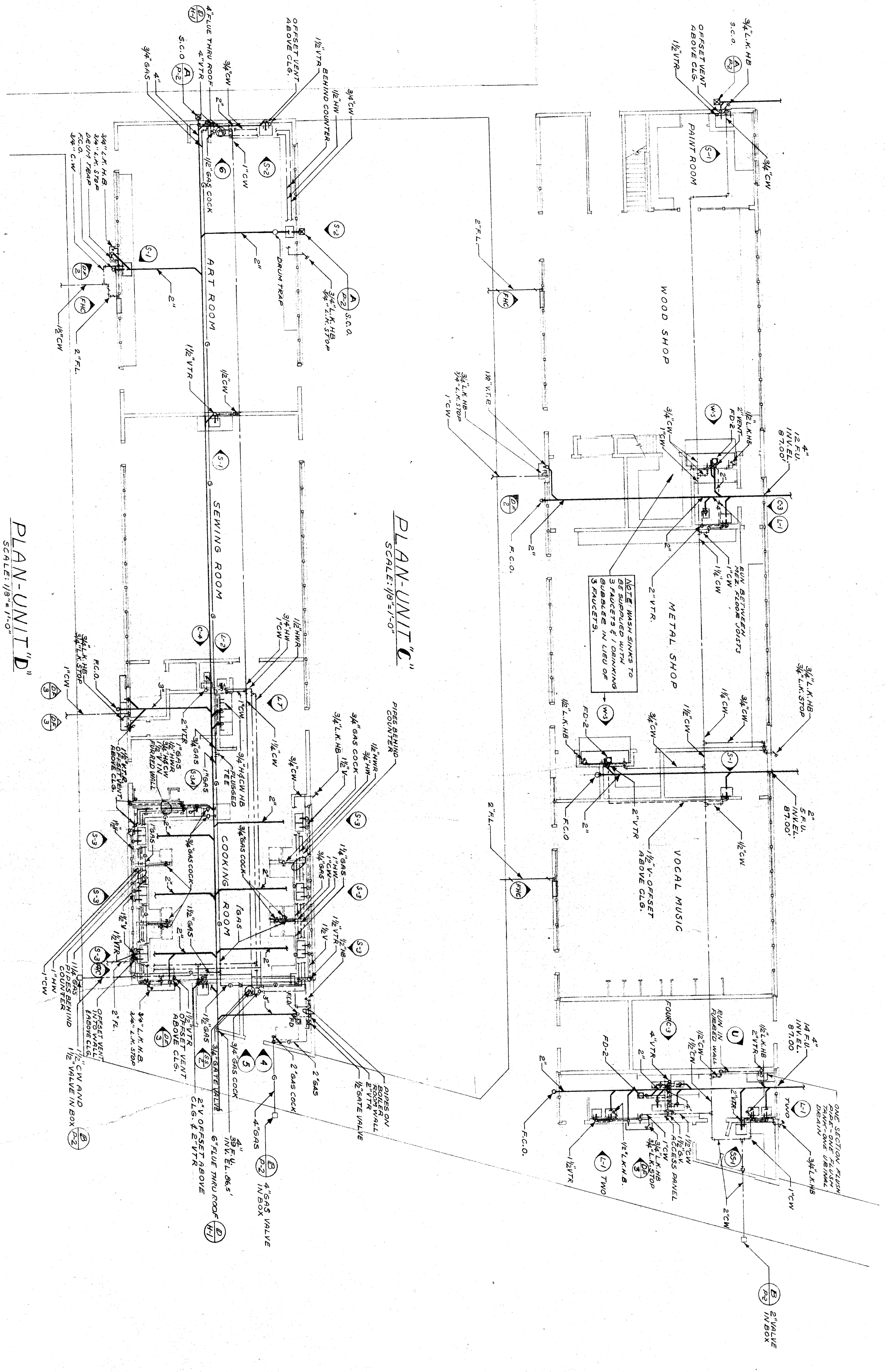


# PLUMBING EQUIPMENT SCHEDULE

NO.	LOCATION	ITEM	DATA	MFG. NO.
1	UNIT A	STORAGE - BOOSTER HEATER	80 GAL. STORAGE 105 GPM. HEATER @ 60° RISE	DAY & NIGHT DAYTON
2	UNIT B	BOOSTER HEATER	105 GPM. HEATER @ 60° RISE	DAYTON
3	UNIT B	STORAGE TANK	150 GAL. CAPACITY	SEE SPEC'S
4	UNIT B	CIRCULATING PUMP	5 GPM. @ 5 FT. T.H.	BEILL ROBERT
5	UNIT D	STORAGE BOOSTER HEATER	55 GAL. STORAGE 105 GPM. HEATER @ 100 RISE	DAY & NIGHT DAYTON
6	UNIT D	STORAGE TYPE HEATER	20 GAL. STORAGE	DAYTON
7	UNIT E	STORAGE TYPE HEATER	40 GAL. STORAGE	DAYTON
8	UNIT H	STORAGE TYPE HEATER	30 GAL. STORAGE	DAYTON



**OFFICE OF SUPERINTENDENT OF SCHOOLS**  
 STATE OF CALIFORNIA  
 DEPARTMENT OF PUBLIC WORKS  
 DIVISION OF ARCHITECTURE

CHECK AND VERIFY ALL DIMENSIONS AND CONDITIONS AT JOB SITE BEFORE PROCEEDING WITH THE WORK. REPORT ANY DISCREPANCIES TO THE ARCHITECT.

**BAHRSFELD CITY SCHOOLS**  
 1600 W. ST. BAHRSFELD CAL.  
 BOARD OF TRUSTEES

EMERSON JUNIOR HIGH SCHOOL  
 BAHRSFELD CITY SCHOOL DISTRICT  
 FOURTH & P. STREETS  
 BAHRSFELD CALIFORNIA

DATE: Nov 5, 1933  
 APPROVED: *Ernest L. McCoy*  
 ERNEST L. MCCOY A. I. A. ARCHITECT  
 2811 N. STREET  
 BAHRSFELD CALIFORNIA

JOB NO. 53-16  
 DATE: 11/2  
 DRAWN BY: J.M.C.  
 CHECKED BY: R.M.O.  
 SHEET NO. 4 OF 6

111300  
 STATE OF CALIFORNIA  
 DEPARTMENT OF PUBLIC WORKS  
 DIVISION OF ARCHITECTURE